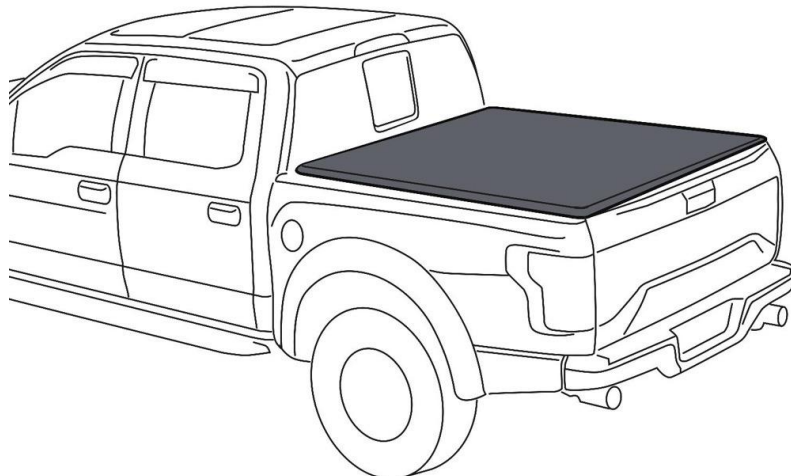


# Soft Roll Up Tonneau Cover User Manual

- 1. Important safety instructions-----02
- 2. Item list-----03
- 3. Installation guide-----04
- 4. Cleaning and maintenance-----08



## 1. IMPORTANT SAFETY INSTRUCTIONS



When using the product, basic safety precautions should always be followed to reduce the risk of injury including the following:

### ⚠️ WARNING

**Failure to properly install this product may result in property damage and/or personal injury.**

- This product is intended for securing and protecting truck beds and the contents inside.
- Do not modify the cover in any way. Unauthorized modification may impair the product's function and/or safety and could affect its service life.
- Do not place objects on or against the cover.
- Never stand, sit, or ride on the cover or allow others to do so.
- Do not cover cargo higher than the cover.
- Do not tie cargo to the cover. Do not use the cover's framework to tie down cargo. Never allow children or pets to occupy the tonneau while the cover is closed.
- The cover does not prevent moisture and dust from entering the tonneau. Special wrapping or packaging of the contents may be necessary to keep the cargo clean and dry.
- This product is intended for securing and protecting truck beds and the contents inside.
- No liability will be accepted for damages resulting from improper use or non-compliance with these instructions.



Always secure the latches



Do not drive with tailgate completely or partially open



Remove all items including snow before folding the panels

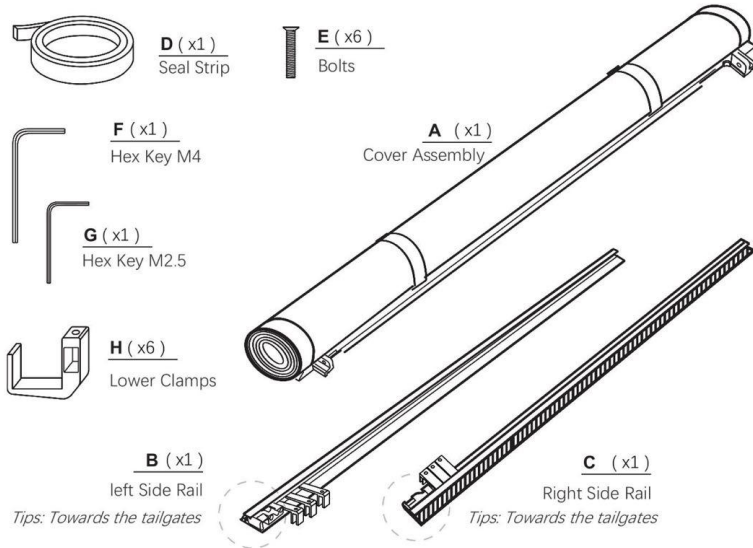


Do not overload cargo

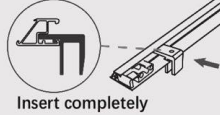
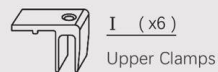
### ⚠️ DANGER

- Keep any packaging materials away from children-these materials are a potential source of danger, e.g. suffocation.

## 2. ITEMS LIST



### Note I



For the upper clamps which is not pre-installed in the side rails, pls insert the upper clamp into the side rails channel before step 4.

### Note II

Aluminum Blocks for the TOYOTA/NISSAN/JEEP Utility Track:



**G (x4)**  
Upper Alu Slider



**K (x4)**  
Steel Traps



**L (x4)**  
Convex Slider



**M (x4)**  
Long Screw



**N (x4)**  
Countersunk Screw



**O (x4)**  
Flange Nut



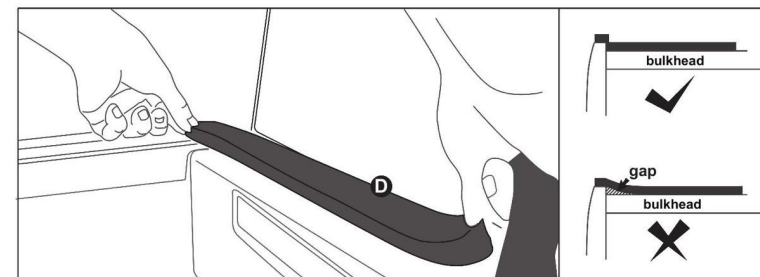
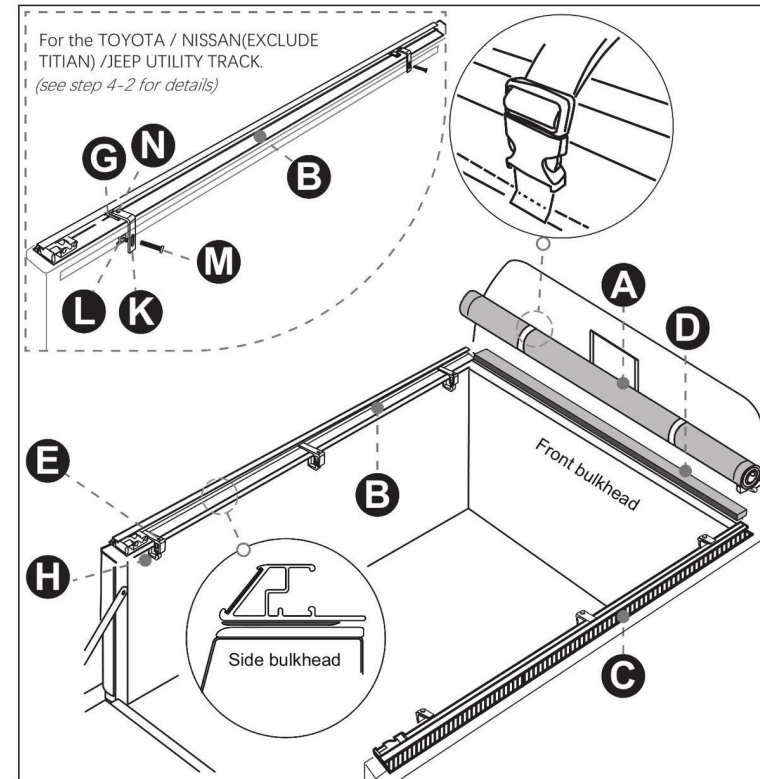
**P (x4)**  
Spring Washer



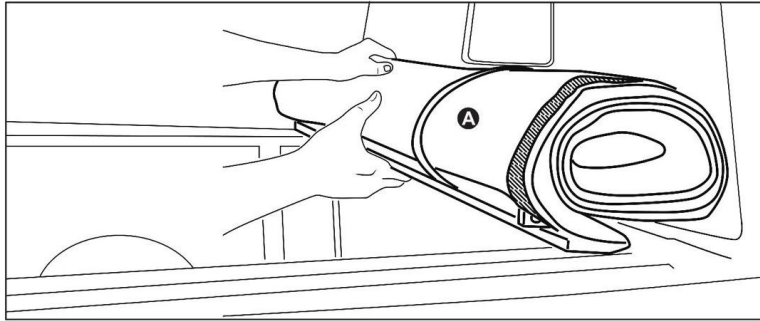
**Q (x4)**  
Flat Washer

## 3. INSTALLTION GUIDE

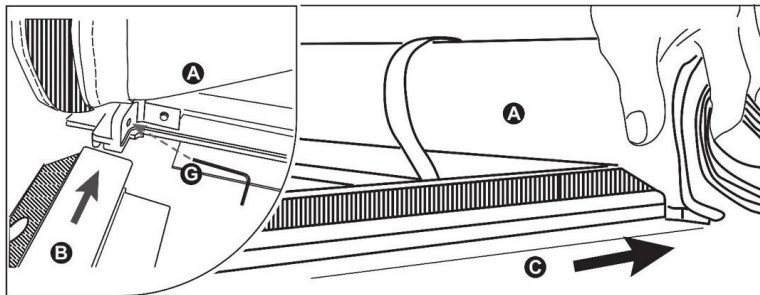
These items will need to be installed manually.



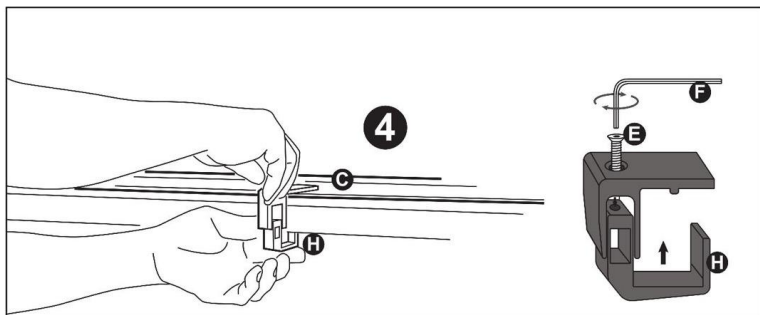
1. Wipe and clean the tonneau before installation. If there is a drop between the front and side of bulkhead, sticking the seal strip(D) to the front bulkhead and align both ends equally.



2. Place the cover assembly (A) on the bulkhead in front of the truck bed.

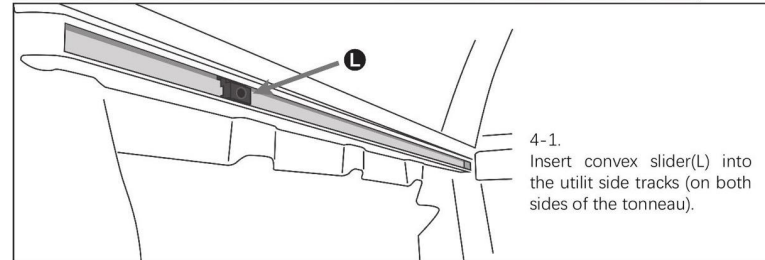


3. Put one side rail (B/C) on the truck bed and slide into the channel of cover assembly (A), then tighten the set screws on the both corners to secure the connection, do the same way for the other side.

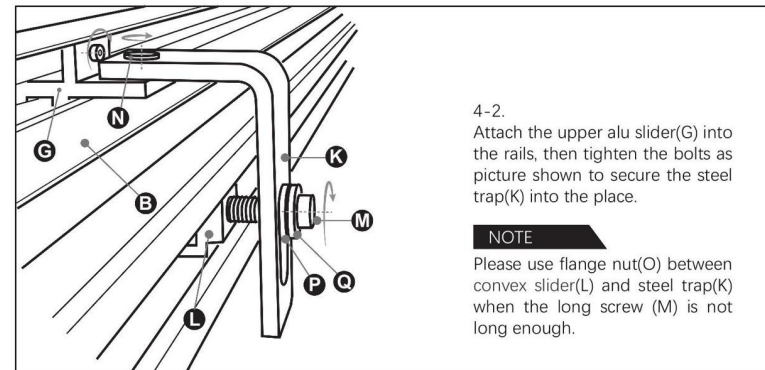


4. Pls insert the lower clamps (H) into the truck bed rail lips, and tighten the hex socket screws for the two clamps.

INSTALLATION FOR THE TOYOTA / NISSAN(EXCLUDE TITIAN) / JEEP UTILITY TRACK



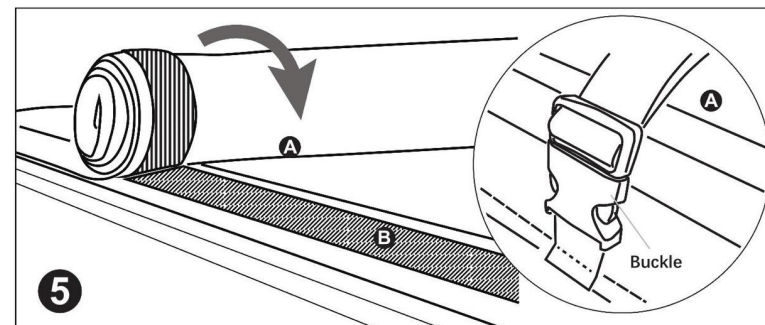
4-1. Insert convex slider(L) into the utilit side tracks (on both sides of the tonneau).



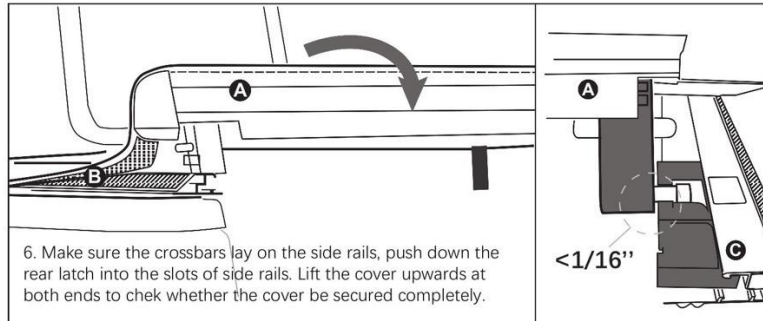
4-2. Attach the upper alu slider(G) into the rails, then tighten the bolts as picture shown to secure the steel trap(K) into the place.

**NOTE**

Please use flange nut(O) between convex slider(L) and steel trap(K) when the long screw (M) is not long enough.



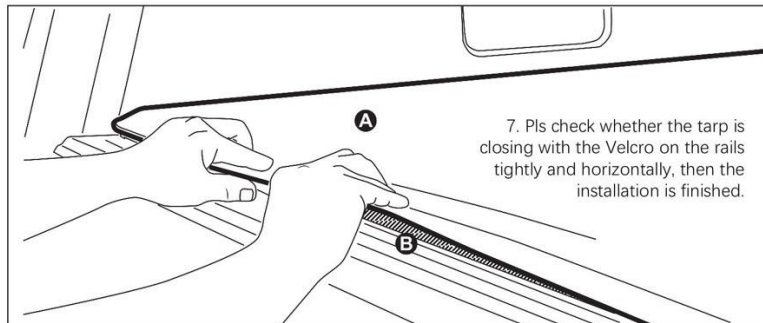
5. Release the buckles on the both sides of cover assembly, then unroll the cover completely from the bulkhead towards the tailgate.



6. Make sure the crossbars lay on the side rails, push down the rear latch into the slots of side rails. Lift the cover upwards at both ends to check whether the cover be secured completely.

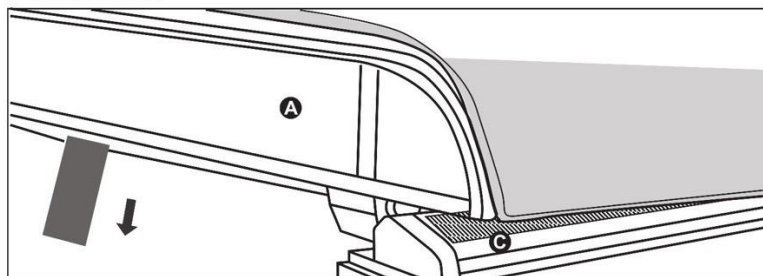
**NOTE**

Please ensure the gap between the locking clip and the side rail at end of the tailgate is less than  $1/16''$  for proper security of the cover.



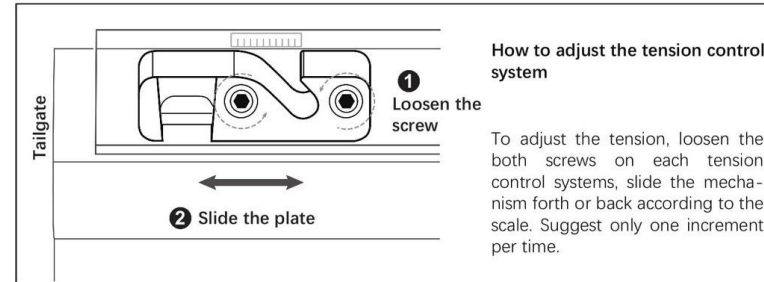
7. Pls check whether the tarp is closing with the Velcro on the rails tightly and horizontally, then the installation is finished.

**UNLATCHING**



8. Pull the strap to release the rear latching, then roll up the cover from the tailgate towards the bulkhead, and lock the buckles on the cover assembly.

**TENSION CONTROL SYSTEM**



**How to adjust the tension control system**

**1** Loosen the screw

**2** Slide the plate

To adjust the tension, loosen the both screws on each tension control systems, slide the mechanism forth or back according to the scale. Suggest only one increment per time.

**4. CLEANING AND MAINTENANCE**

**CLEANING**

- Clean the cover and vehicle in a shaded place like under a tree or in an open garage.
- Flood the cover with water to remove surface grit that will scratch the finish when wiped. Wash the cover with cool, clean water and a mild soap. Use a hose, rinse the cover well, making sure to remove all traces of soap and wipe off excess water using a sponge.
- Hose down the entire truck to prevent soap from streaking your truck's paint finish. Do not use chemicals like detergents, dish washing liquids, bleaches, harsh cleansers, strong cleaners, dry-cleaning solvents, or any other strong chemicals as a cleanser.
- Using a white all-cotton towel, wash the entire cover with the cleaner. Never spot clean the cover to avoid rings or bright spots on the product. Make sure that you only use a soft cotton cloth or sponge as a cleaning tool.
- Do not use rough, abrasive cleaning pads because these can scratch the vinyl, creating pores that allow dirt and other unwanted particles to stick.
- Do not use vinyl protectants that contain petroleum, silicone, or citrus-based additives.

**MAINTENANCE**

- Check the components regularly to make sure all screws and bolts are tightened.
- Keeping the cover taut: Periodically or as needed, pull the cover tight across width of the truck bed and secure the hook-and-loop fastener on the side rails.