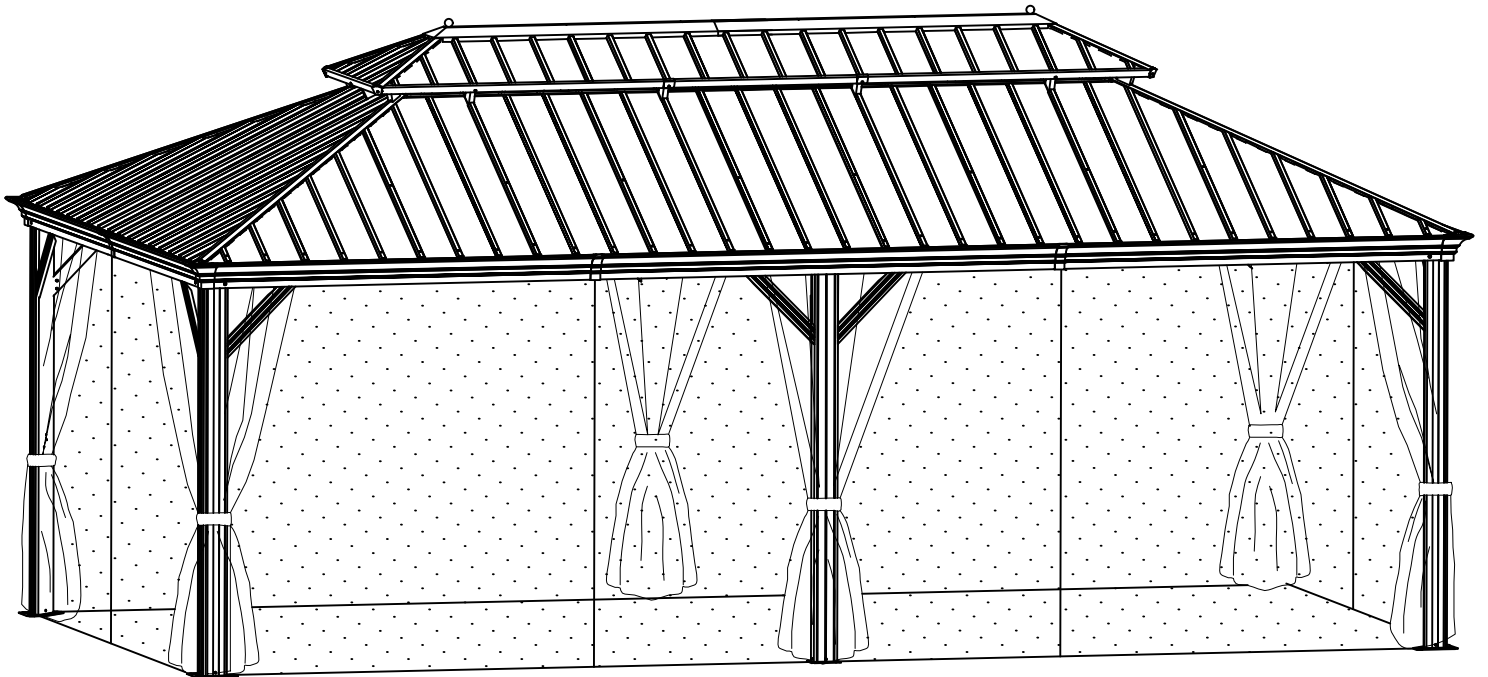


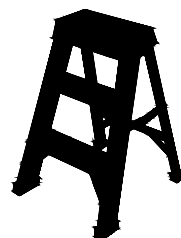
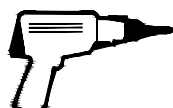
# 12 x 22FT

□ □ □ □ □ □ □ ZHG054TN □ □ □ □ □ □ □ □



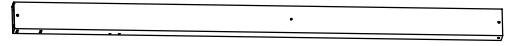
Need at least five people to work together

## REQUIRED TOOLS

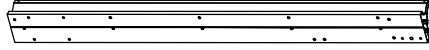




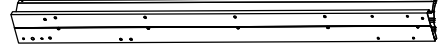
A 4x



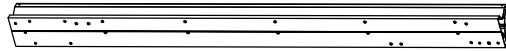
A3 2x



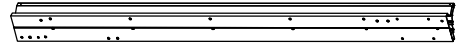
B1 2x



B2 2x



B3 2x



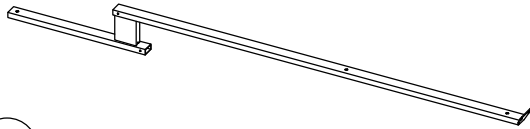
B4 2x



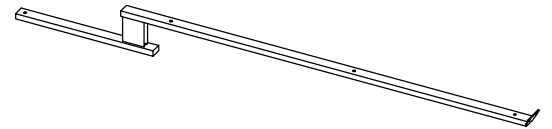
B17 2x



E 4x



E1 2x



E2 8x



E5 4x



C1 2x



C2 2x



C3 2x



C4 2x



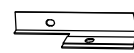
C7 2x



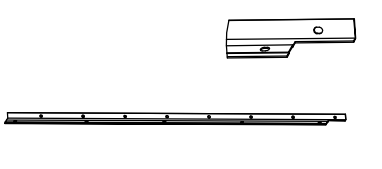
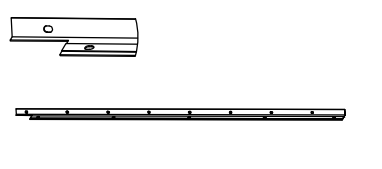
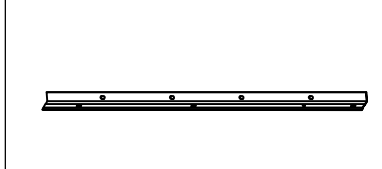
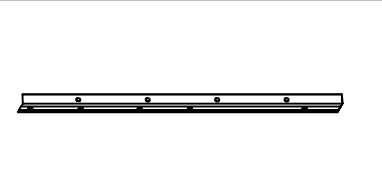
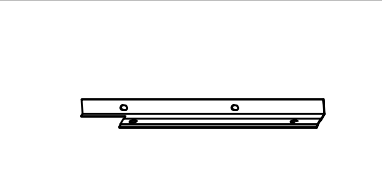
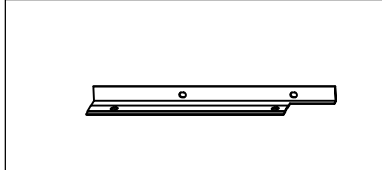
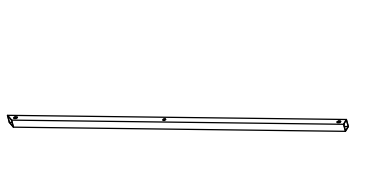
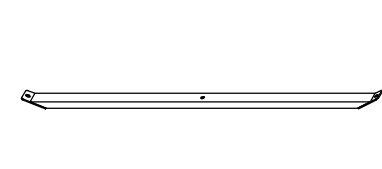
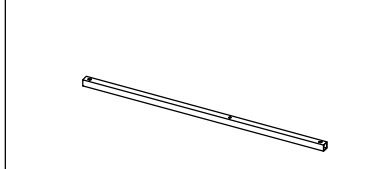
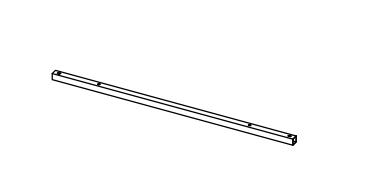
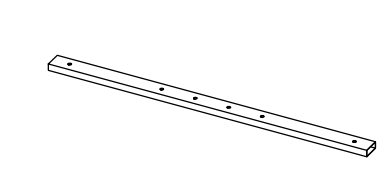
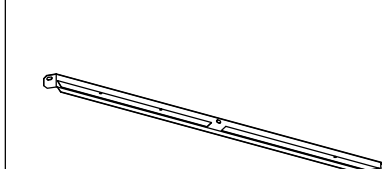
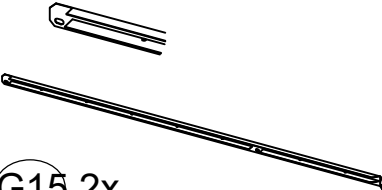

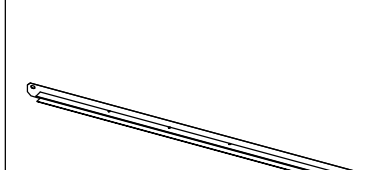
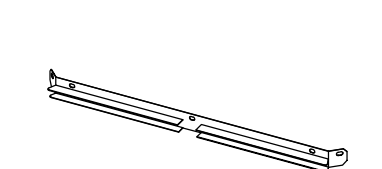
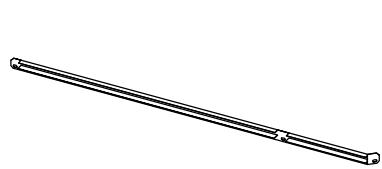
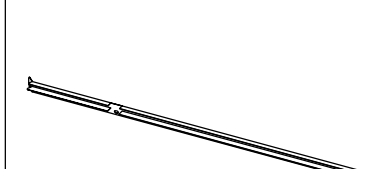
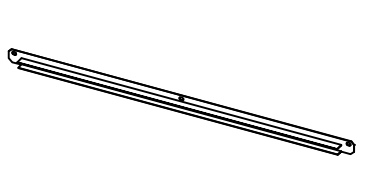
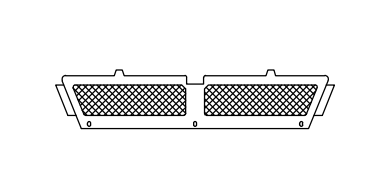
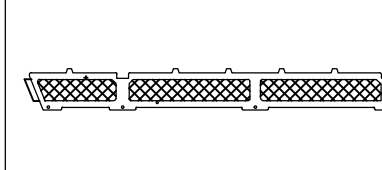
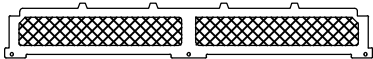
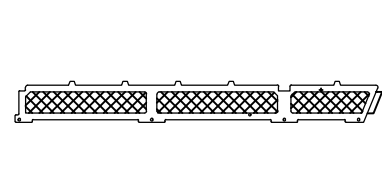
C8 2x

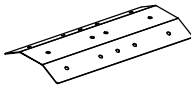
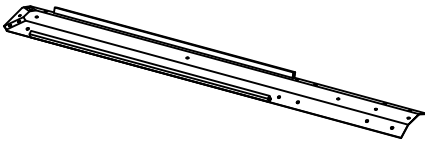
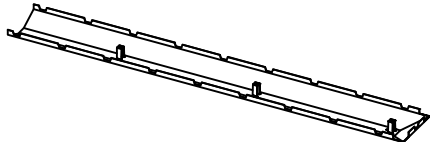
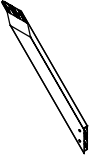
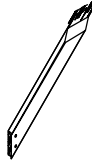
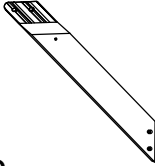
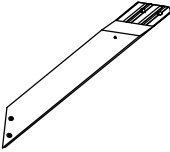
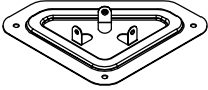
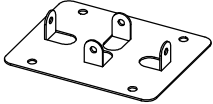
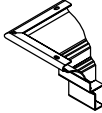


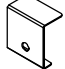
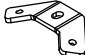
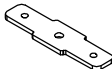
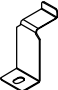



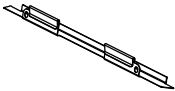
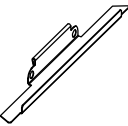
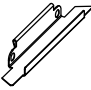
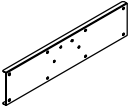

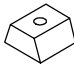
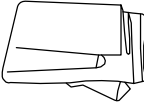
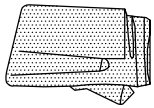
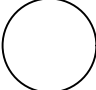


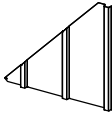
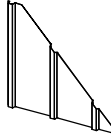
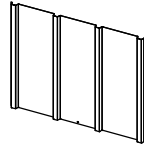
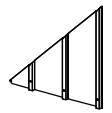
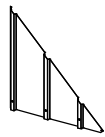
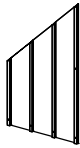

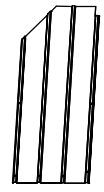



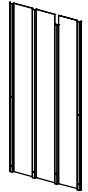
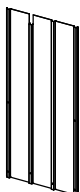








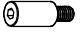


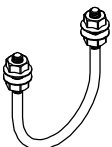




D1 2x



D2 2x

 <p>D3 2x</p>	 <p>D4 2x</p>	 <p>D23 2x</p>
 <p>D24 2x</p>	 <p>D25 2x</p>	 <p>D26 2x</p>
 <p>F1 8x</p>	 <p>F5 4x</p>	 <p>F13 4x</p>
 <p>F14 2x</p>	 <p>F17 2x</p>	 <p>G1 2x</p>
 <p>G15 2x</p>	 <p>G16 2x</p>	 <p>G17 2x</p>
 <p>I1 2x</p>	 <p>I15 2x</p>	 <p>I16 2x</p>
 <p>I17 2x</p>	 <p>V1 2x</p>	 <p>V10a 2X</p>
 <p>V10b 2x</p>	 <p>V10c 2x</p>	

 <p>L8b 1x</p>	 <p>L8 2x</p>	 <p>M8b 2x</p>	
 <p>H 4x</p>	 <p>H1 4x</p>	 <p>H3 2x</p>	 <p>H4 2x</p>
 <p>J 4x</p>	 <p>J1 2x</p>	 <p>K 4x</p>	 <p>K1 6x</p>
 <p>N 8x</p>	 <p>N1 4x</p>	 <p>W 4x</p>	 <p>W1 10x</p>
 <p>V 6x</p>	 <p>W3 8x</p>	 <p>W4 12x</p>	 <p>W5 4x</p>
 <p>Z 64x</p>	 <p>Z1 8x</p>	 <p>Z2 8x</p>	 <p>P 6x</p>
 <p>U 160x</p>	 <p>Y 120x</p>	 <p>T 4x + 2x</p>	 <p>T1 4x + 2x</p>
 <p>Za 2x</p>			

			
S1 4x	S2 4x	S3 10x	R1 4x
			
R2 4x	R3 4x	R4 4x	R5 4x
			
R6 4x	R8 2x	R9 2x	R11 2x
			
R12 2x	R13 2x		
			
M6x15 1 422x	M6x23 2 88x	M6x25 3 6x	ST 4.8x12 4 28x
			
5 4x	M6x42 6 10x	M6x47 7 16x	8 16x
			
M6x10 9 16x	10 20x	11 1x	4mm 12 2x
			
6mm 13 1x	14 1x	M5x15 15 48x	

<1>

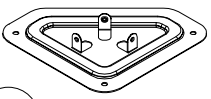
A 4x



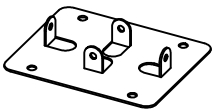
A3 2x



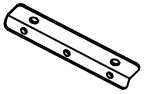
J 4x



J1 2x



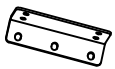
W3 8x



W4 12x



W5 4x



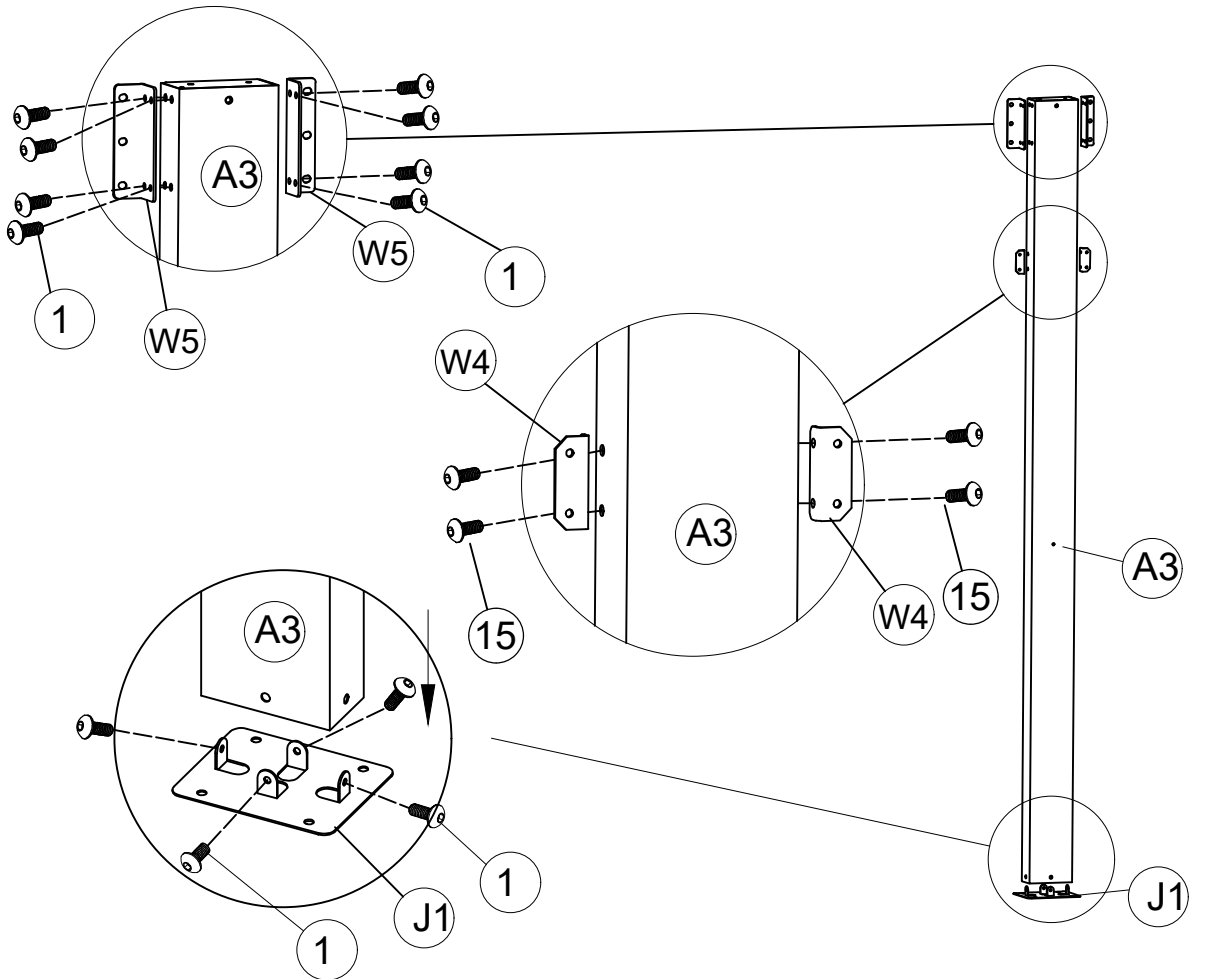
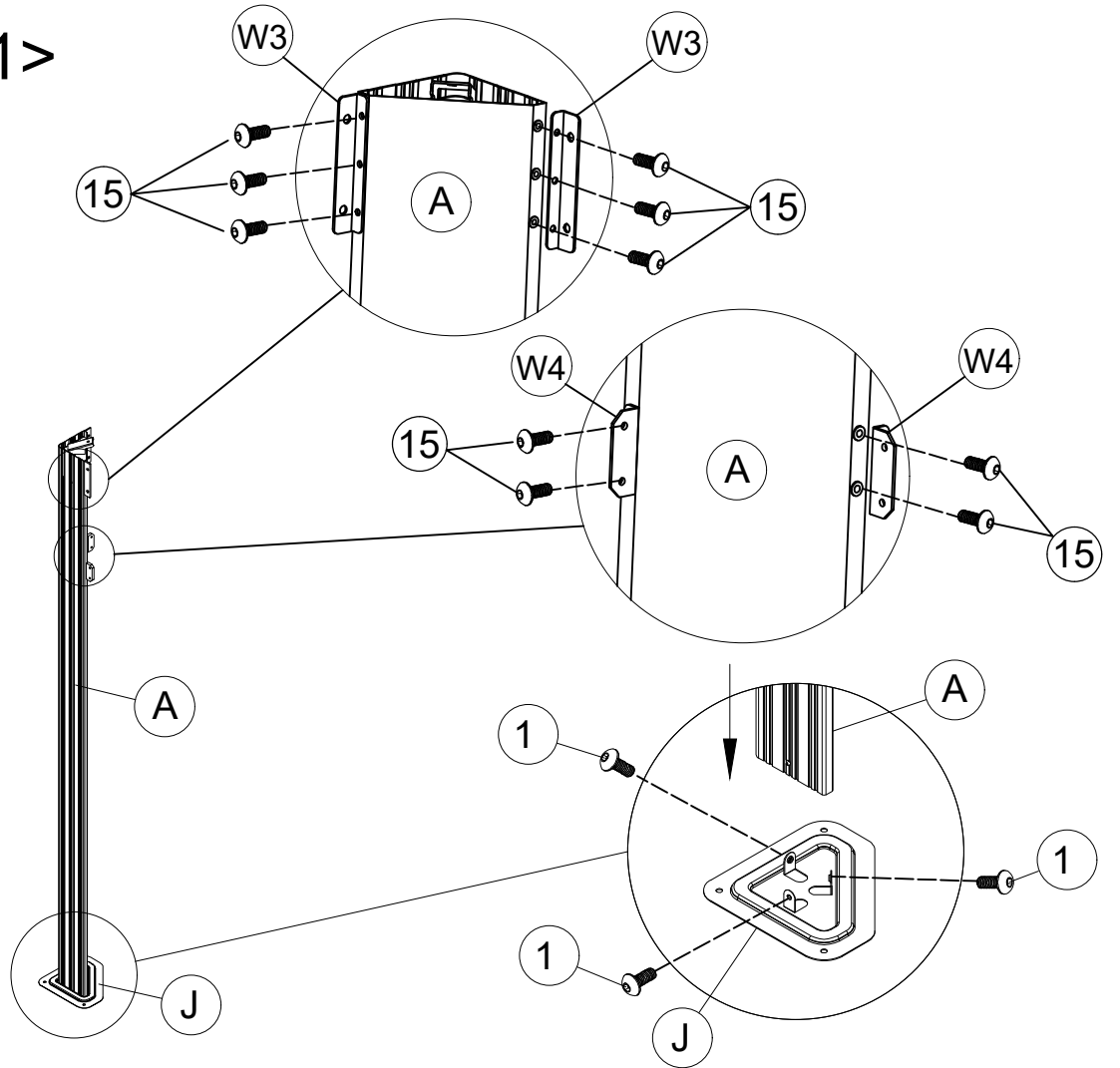
1 36x M6x15



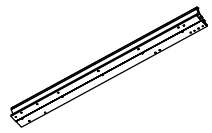
15 48x M5x15



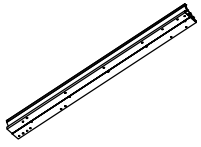
6



<2>



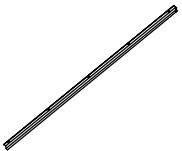
B1 2x



B2 2x



C1 2x



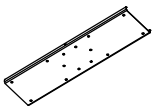
C2 2x



D1 2x



D2 2x



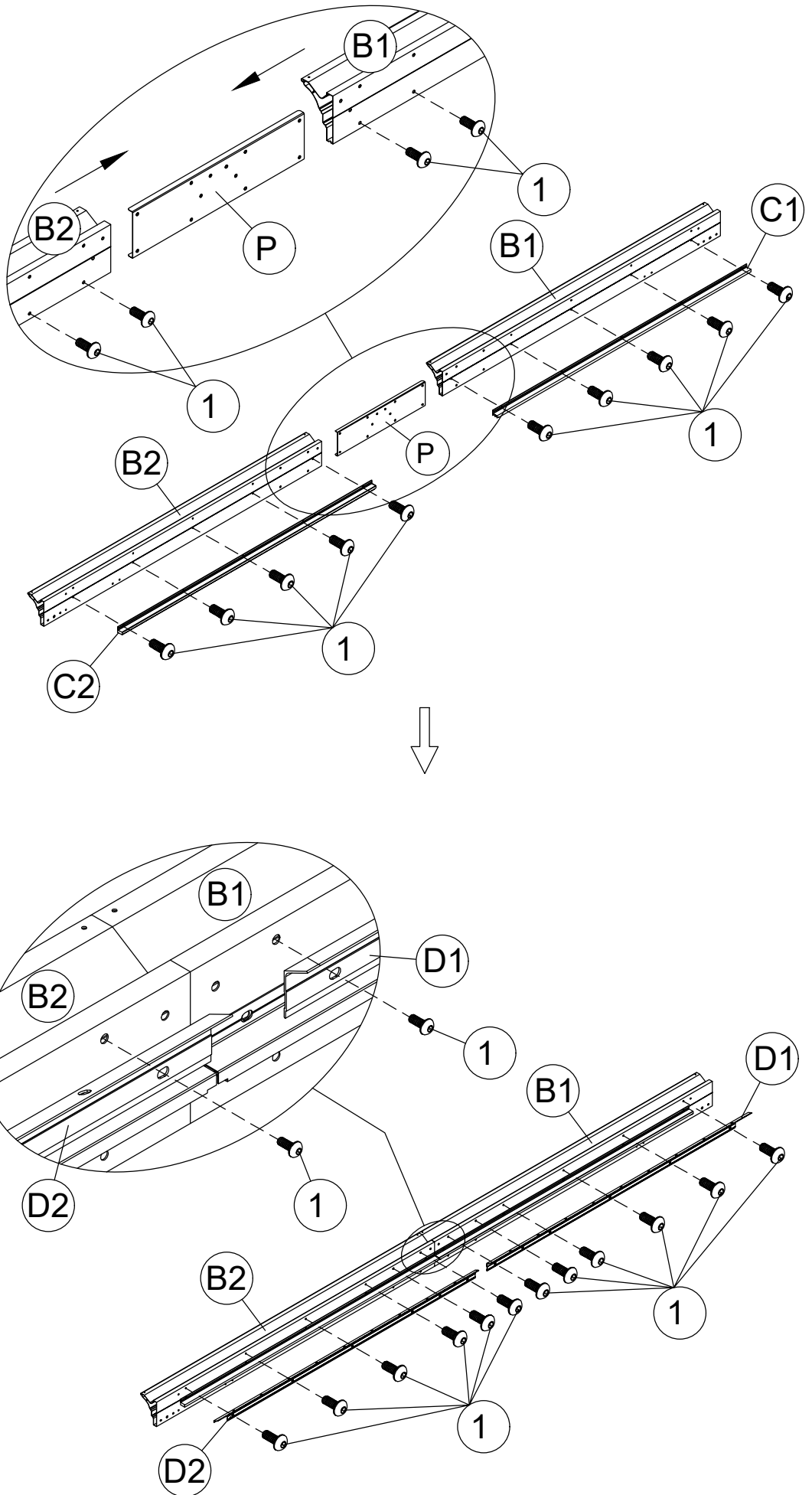
P 2x



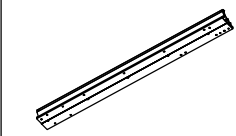
M6x15

1 52x

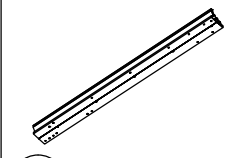
7



<3>



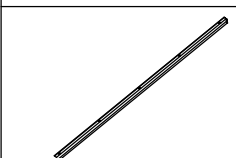
B3 2x



B4 2x



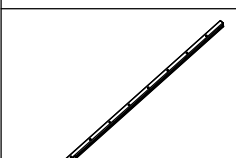
C3 2x



C4 2x



D3 2x

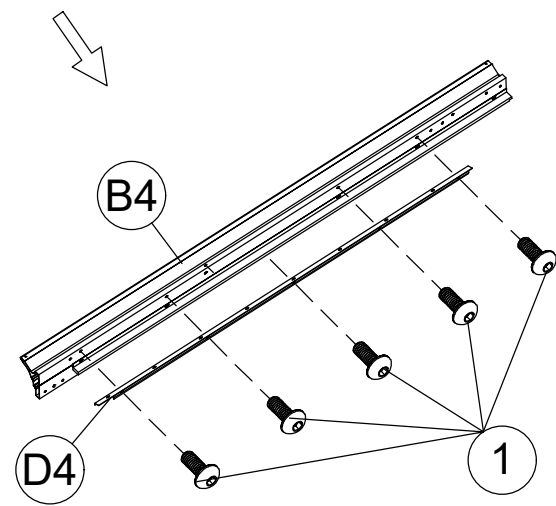
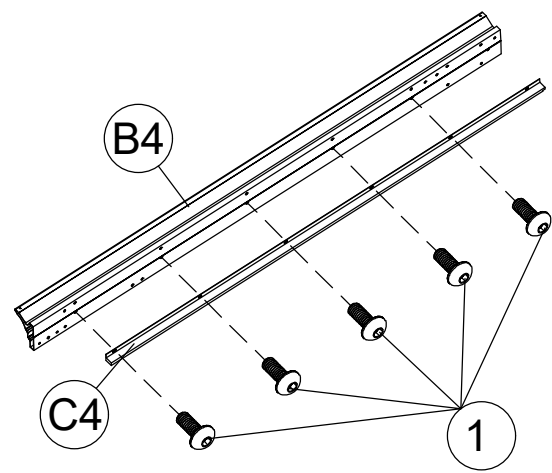
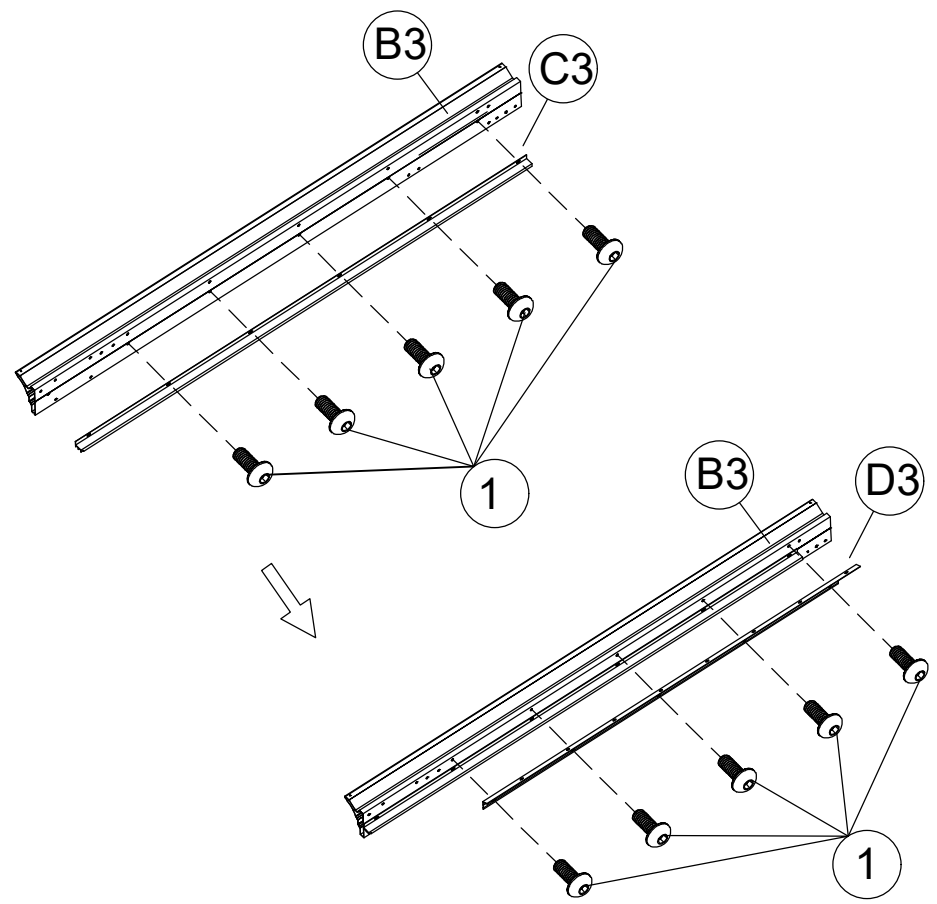


D4 2x

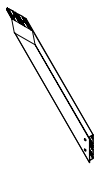


M6x15

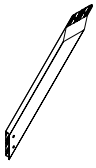
1 40x







H 4x



H1 4x



M6x15

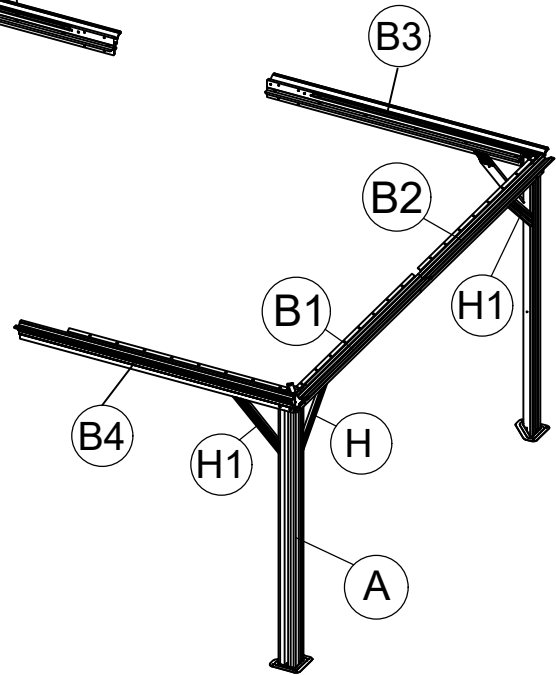
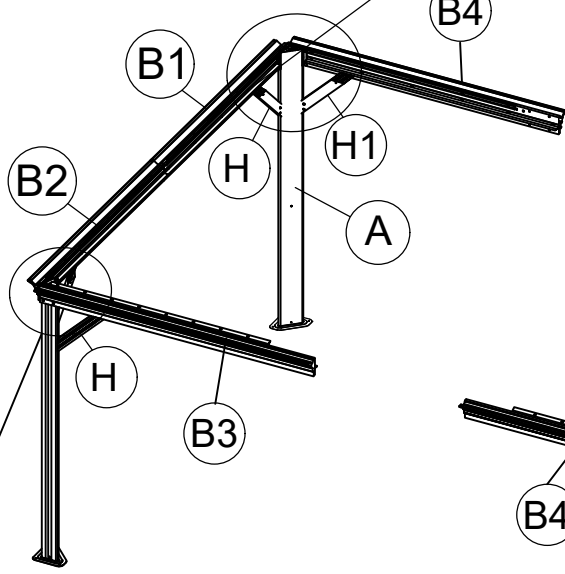
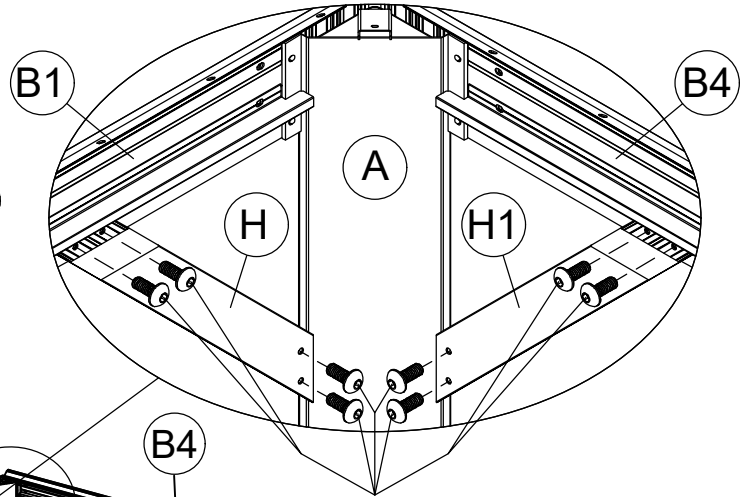
1 48x



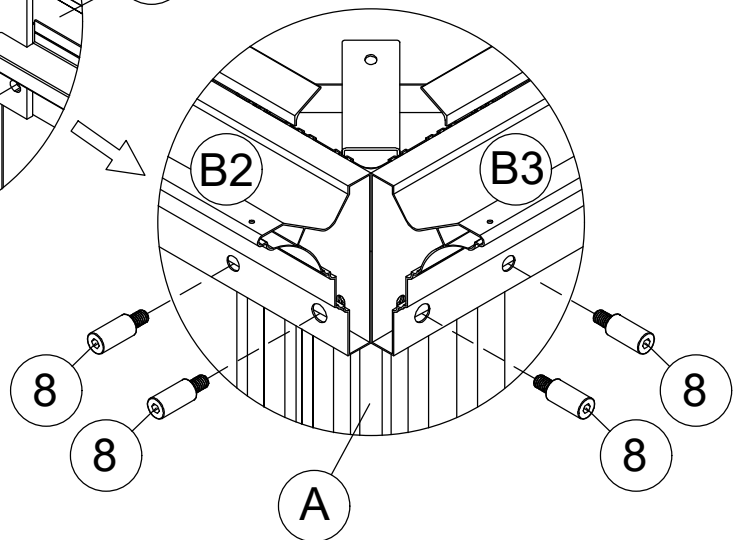
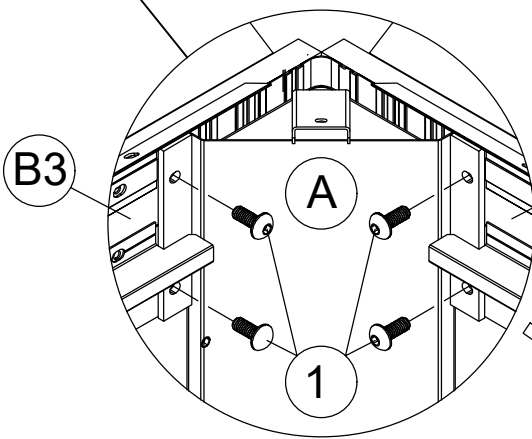
8 16x

<4>

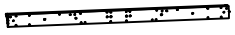
3



2



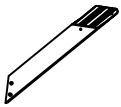
<5>



(B17) 2x



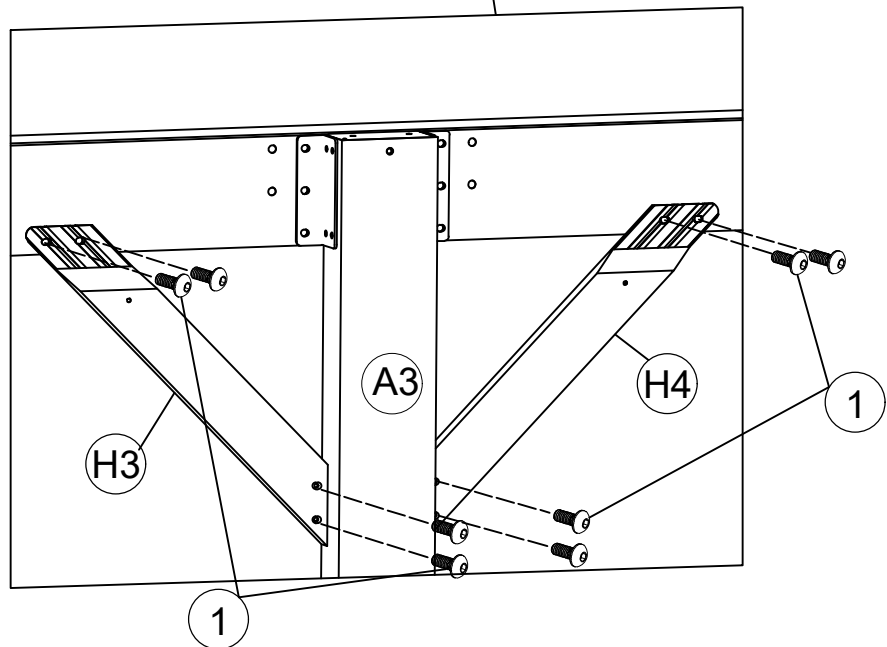
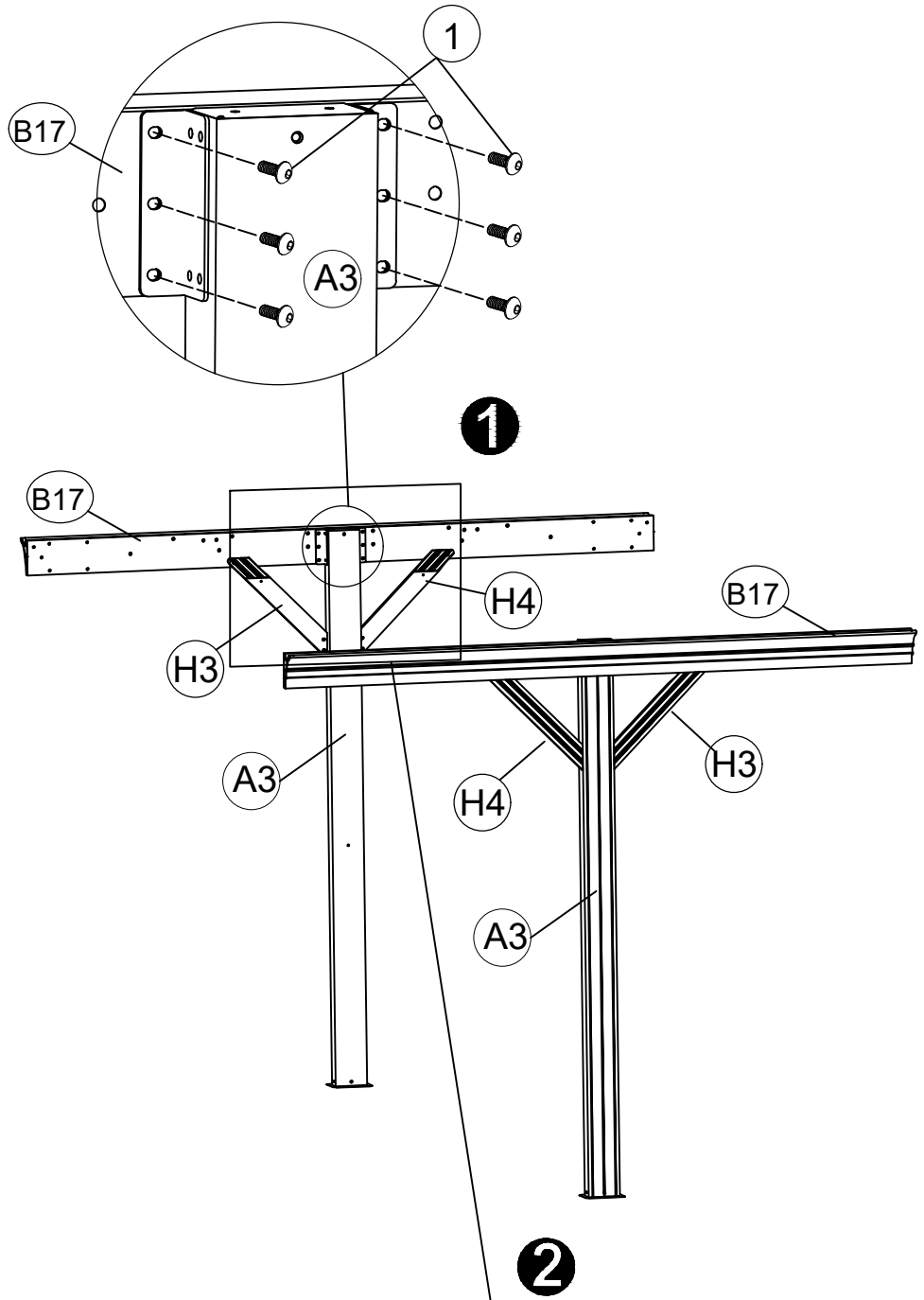
(H3) 2x



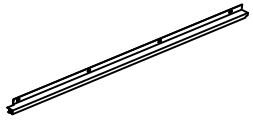
(H4) 2x



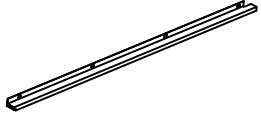
(1) 28x  
M6x15



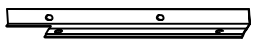
<6>



C7 2x



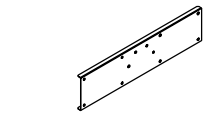
C8 2x



D25 2x



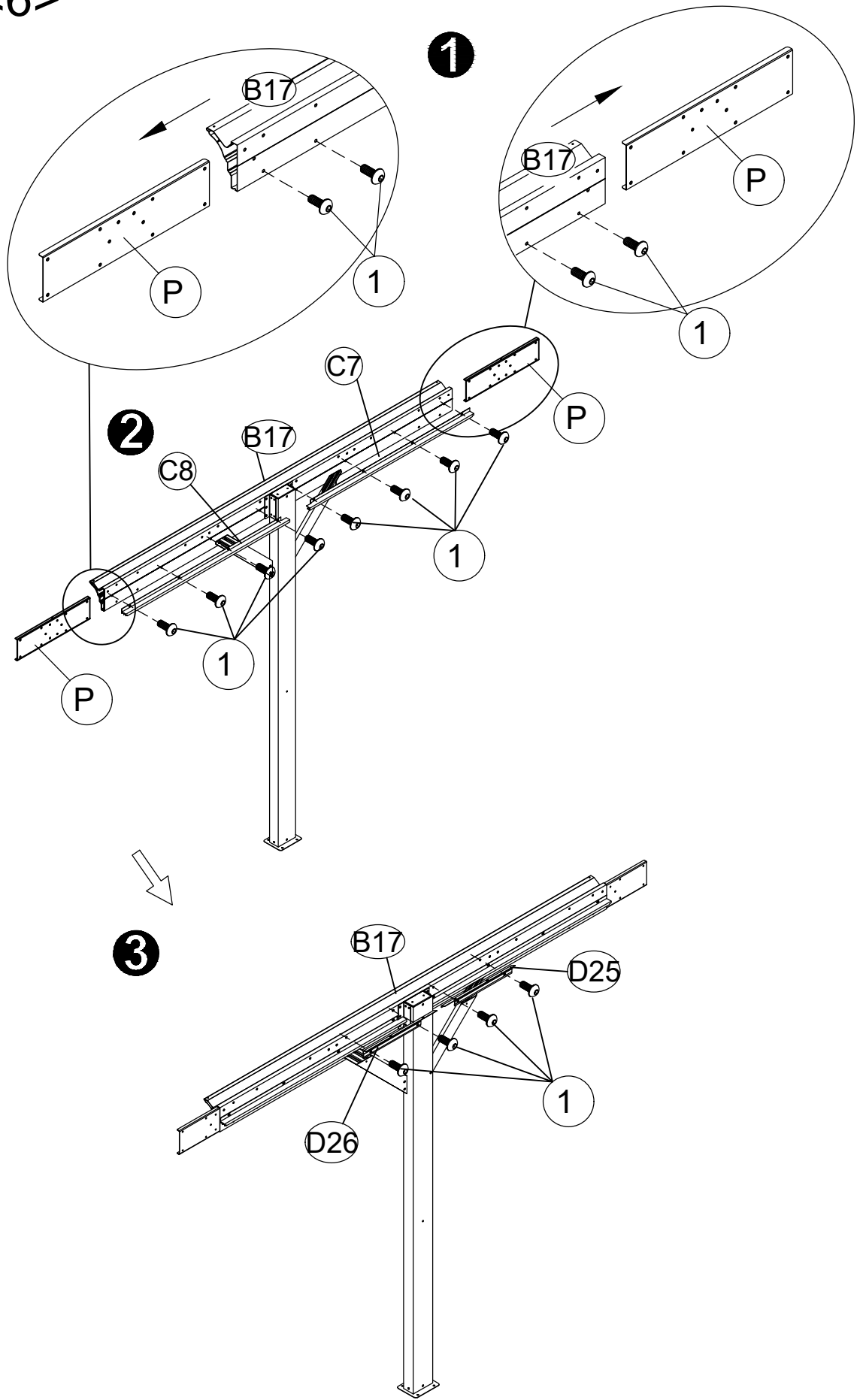
D26 2x



P 4x

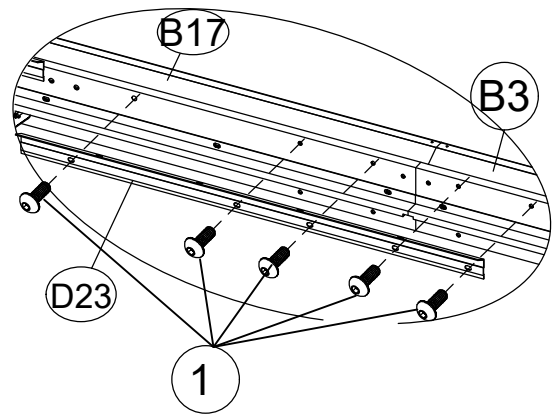
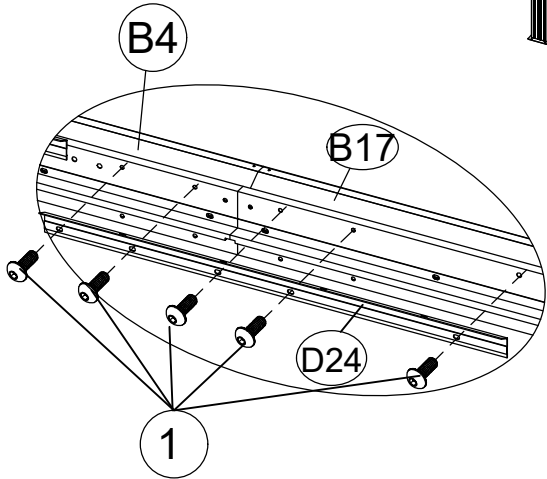
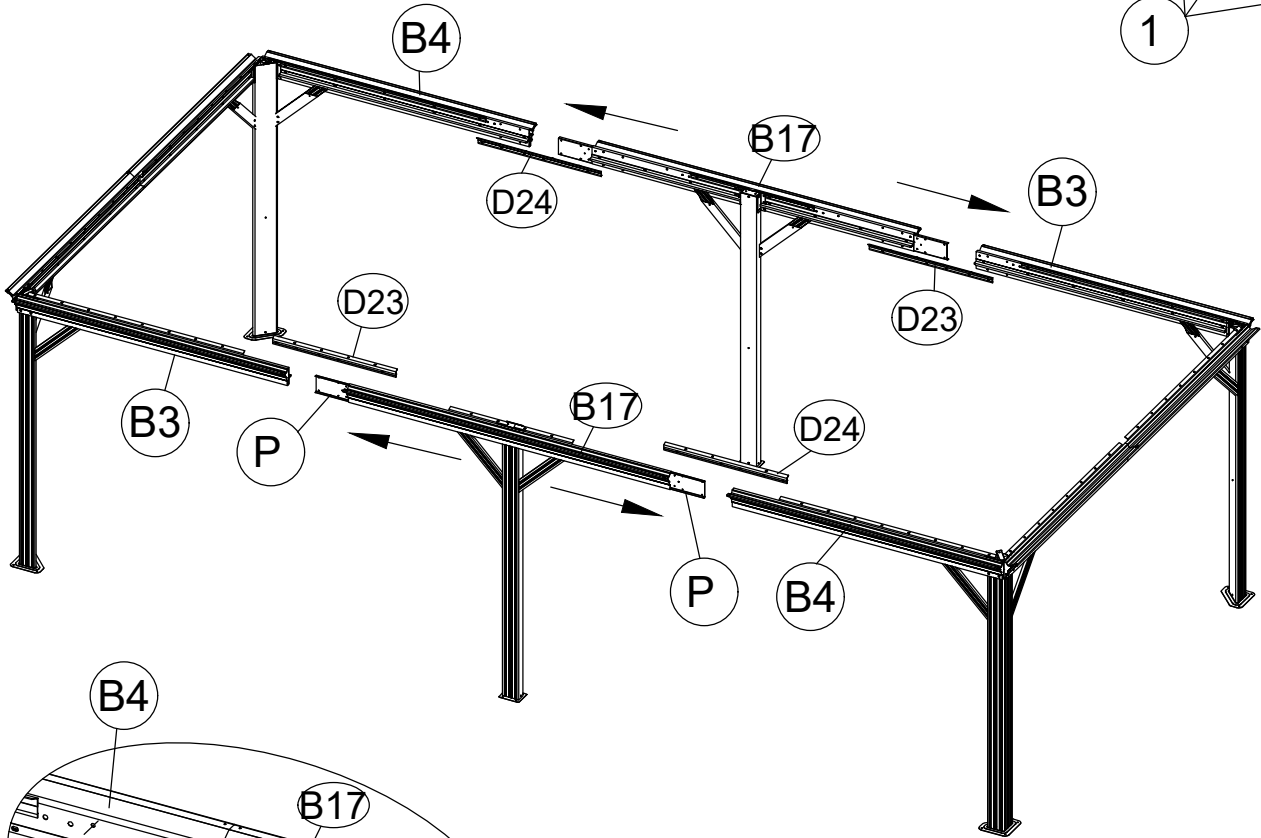
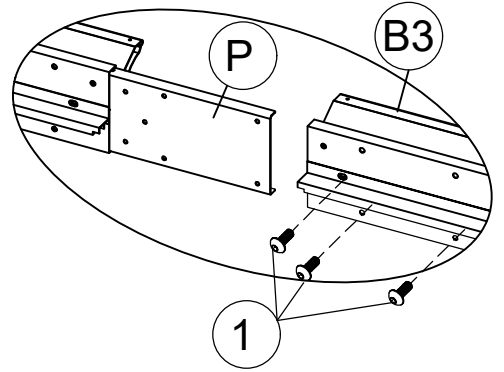
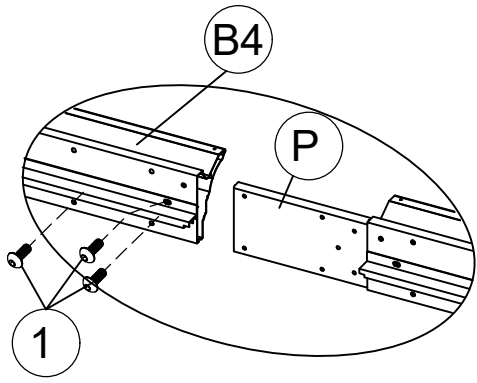


1 32x M6x15



<7>

1



12

D23 2x

D24 2x

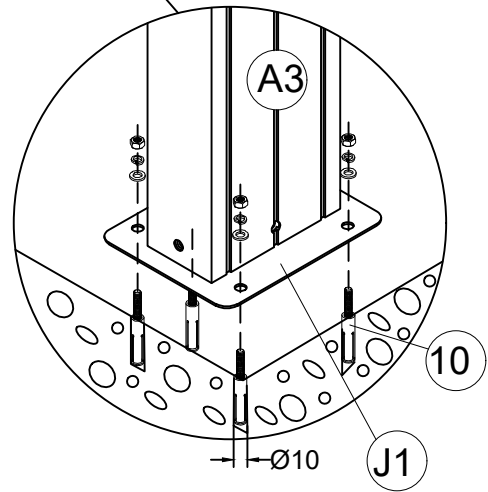
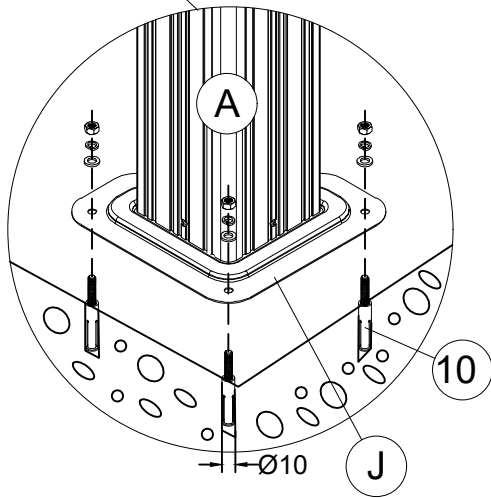
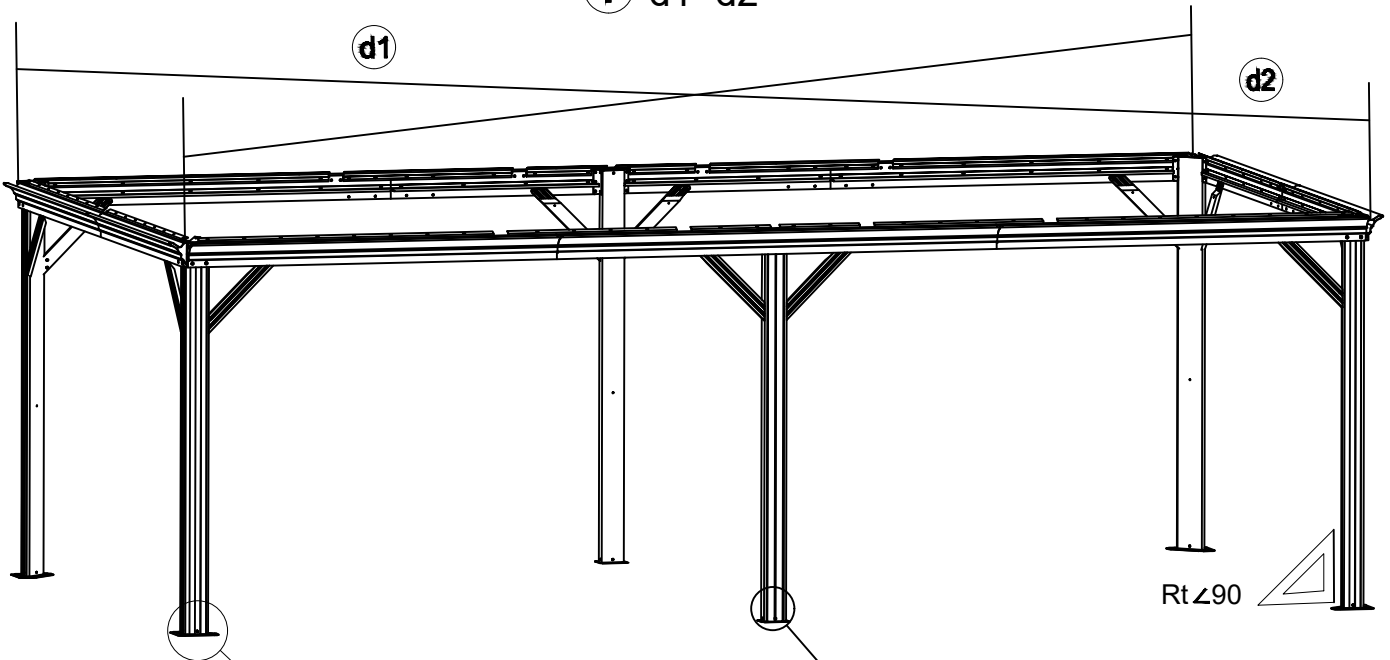
1 32x

M6x15



<8>

i d1=d2

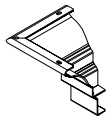


Tips: Please measure to make sure the length of  $d1$  is equal to  $d2$  before moving to next step to ensure a square frame and best results. Otherwise, please loosen the "H" or "H1" screws and adjust them. Keep the beam at right angles to the post, the post at right angles to the ground, and keep the beam horizontal.



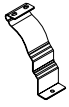
10 20x

13



<9>

(K) 4x



(K1) 6x



(U) 160x



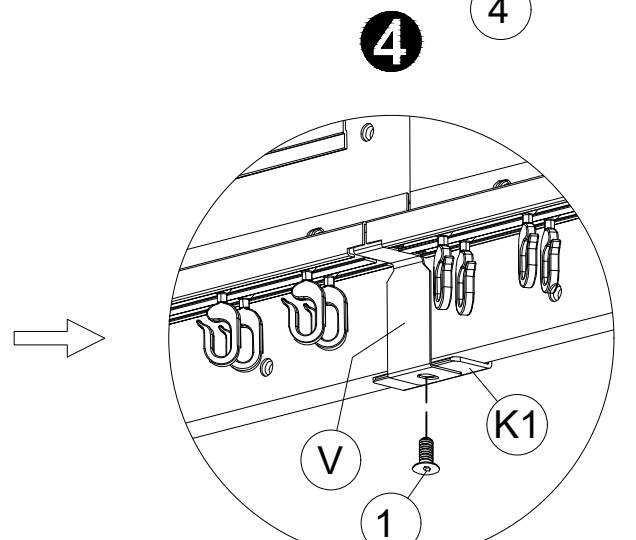
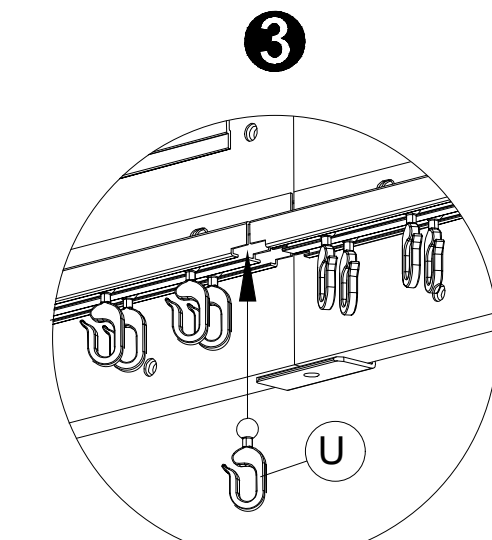
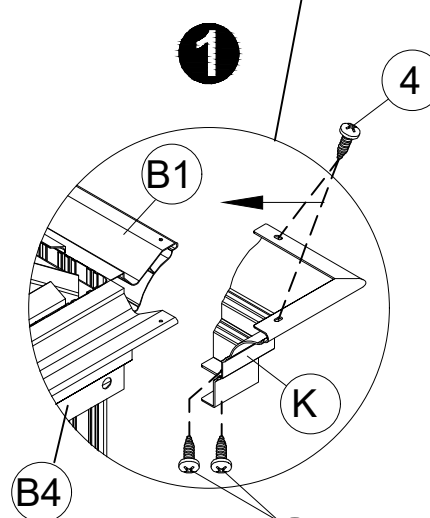
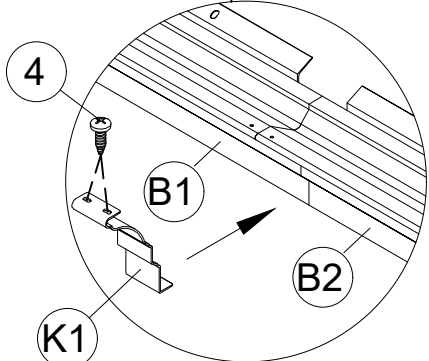
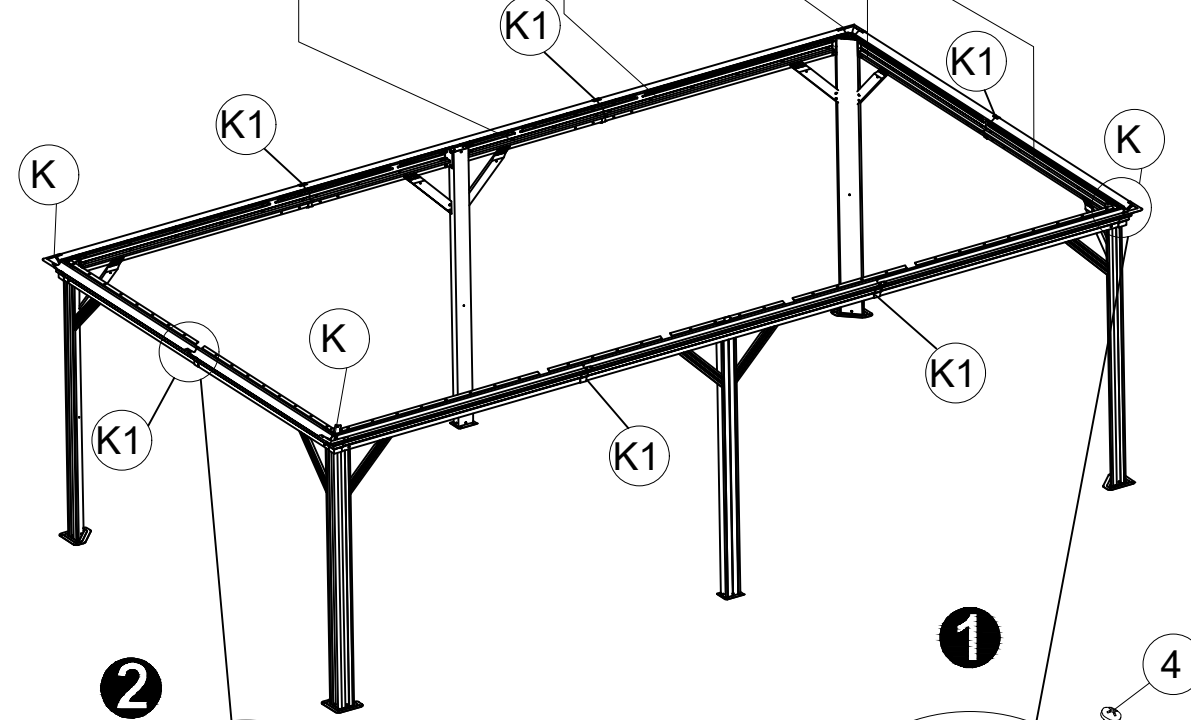
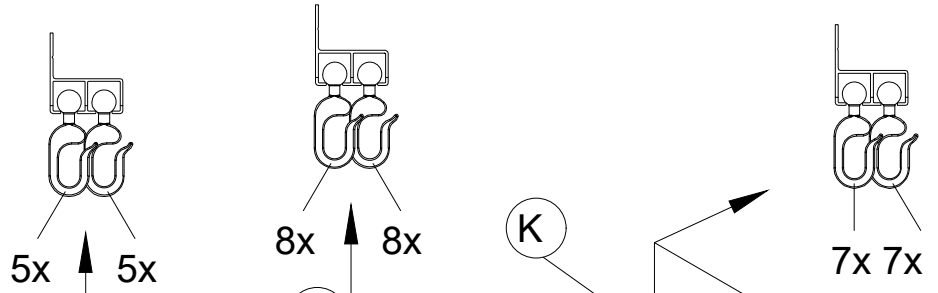
(V) 6x



(1) 6x M6x15



(4) 28x ST4.8x12



<10>



F17 2x



L8 2x



L8b 1x



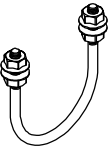
M6x15

1 12x

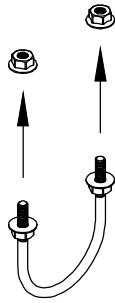
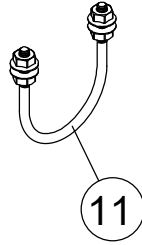


M6x10

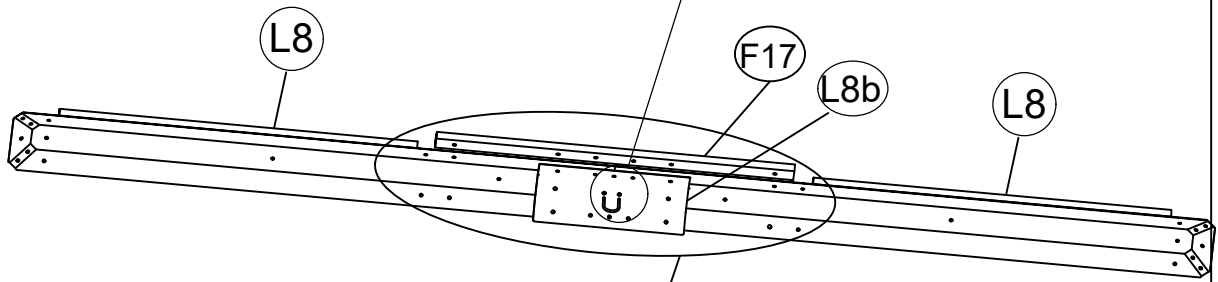
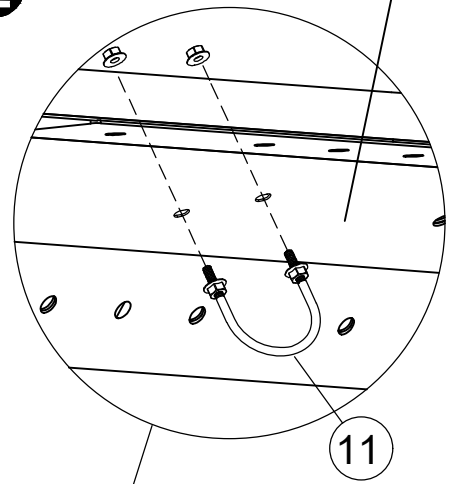
9 2x



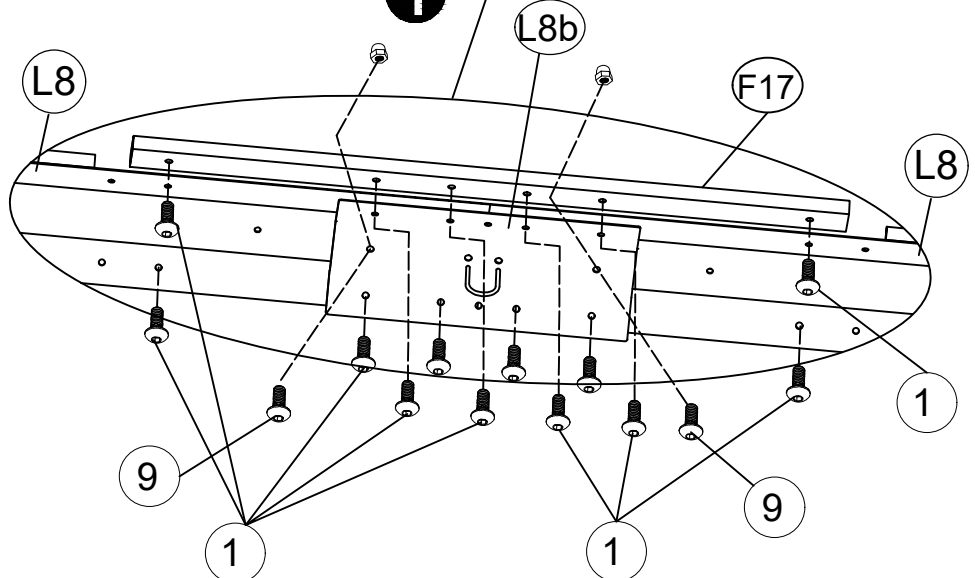
11 1x



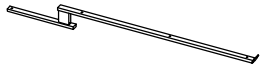
2



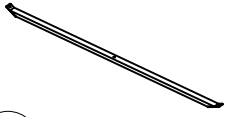
1



<11>



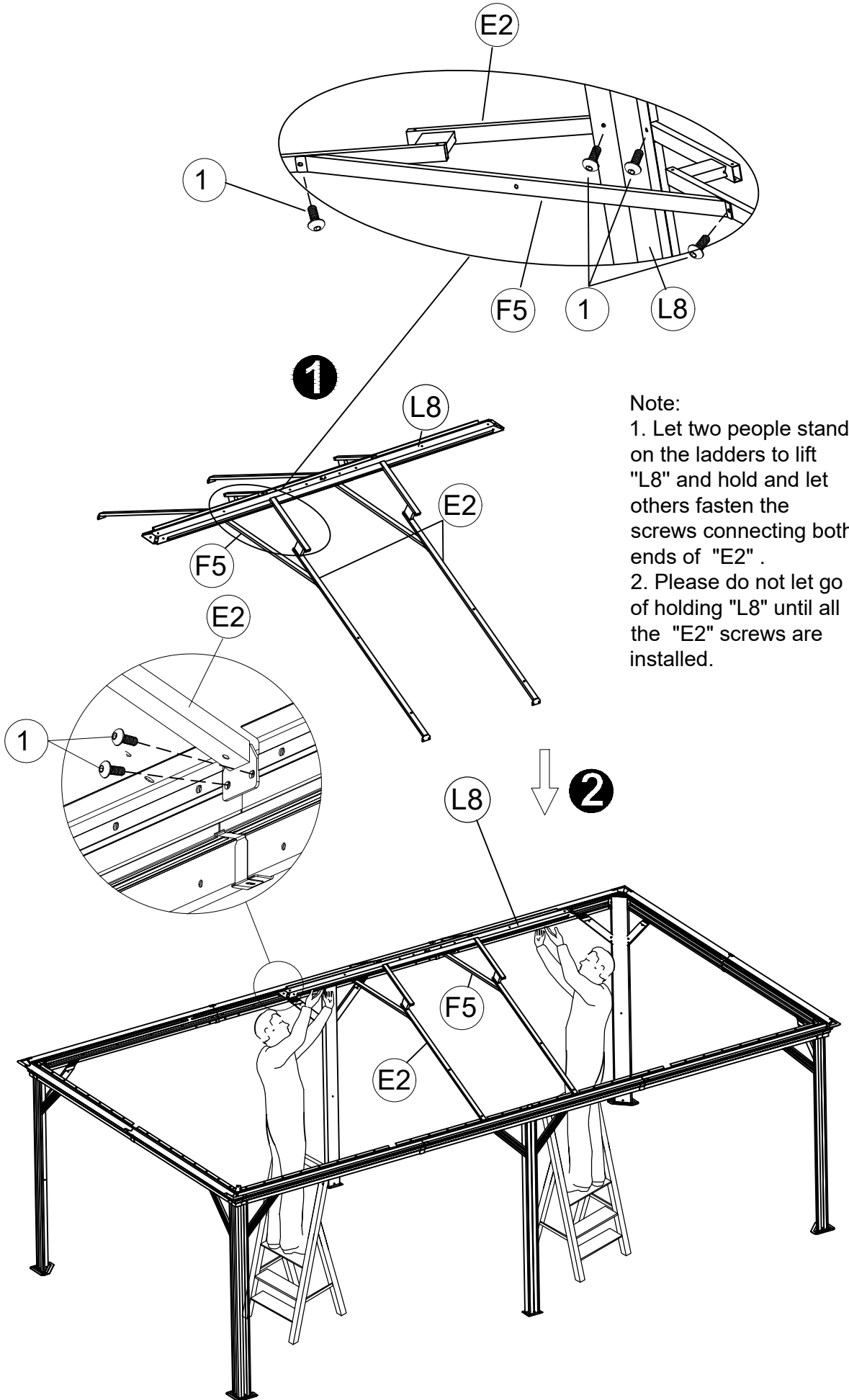
E2 4x



F5 2x

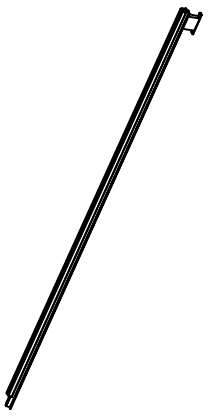


M6x15  
1 16x





<12>



E 4x

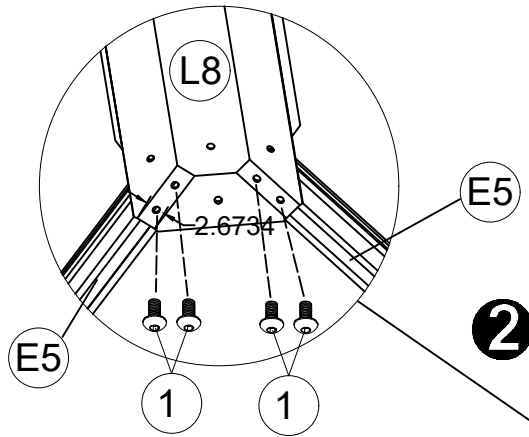


E5 4x

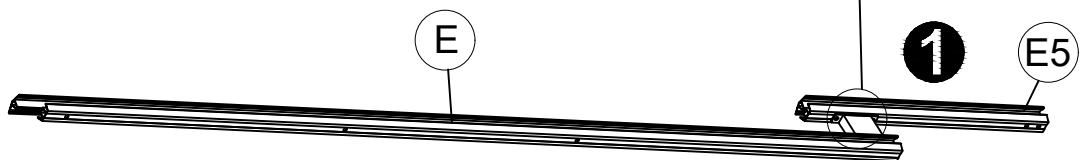
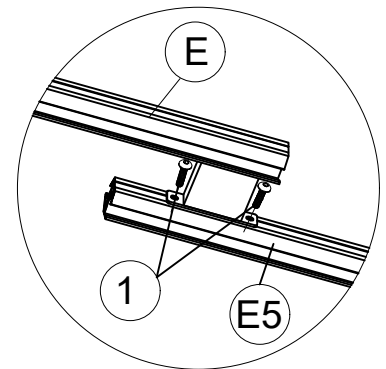
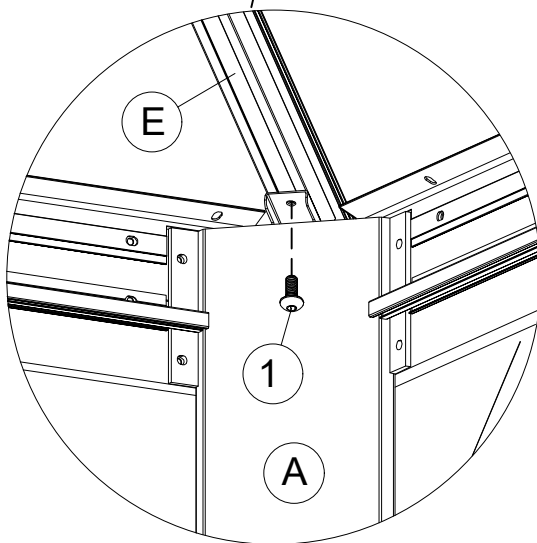
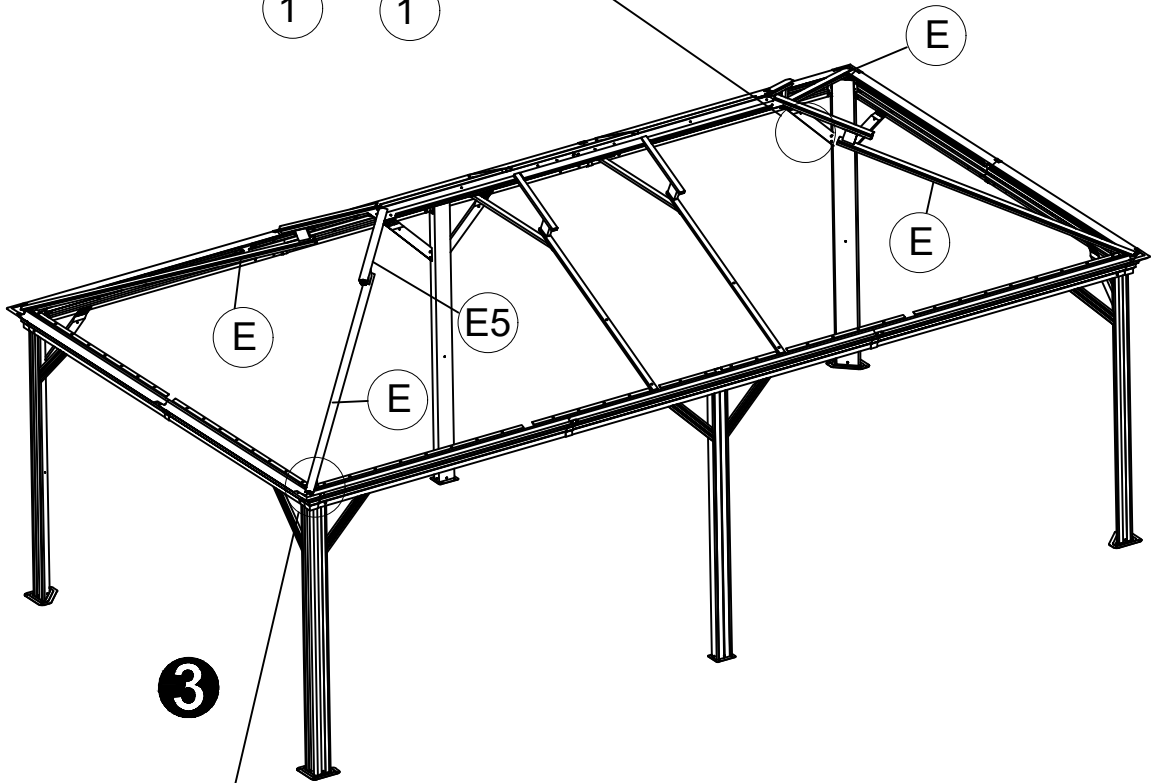


M6x15

1 20x



2



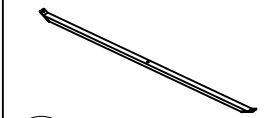
<13>



E2 4x



E1 2x



F5 2x

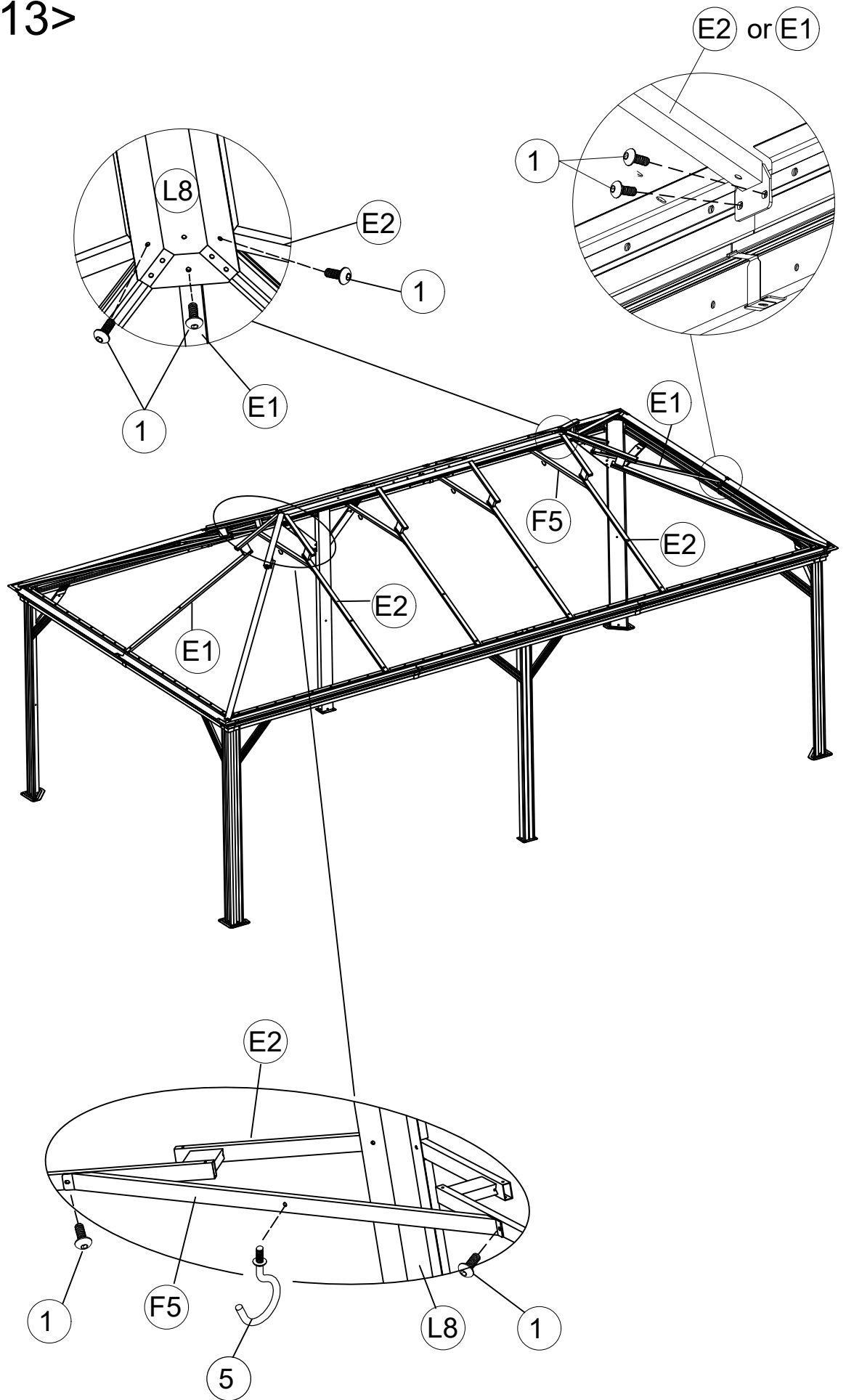


M6x15

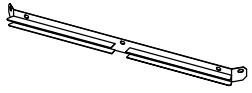
1 22x



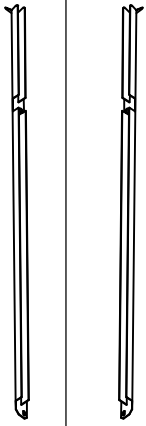
5 4x



<14>

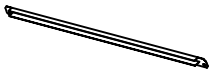


I1 2x



I15 2x

I16 2x



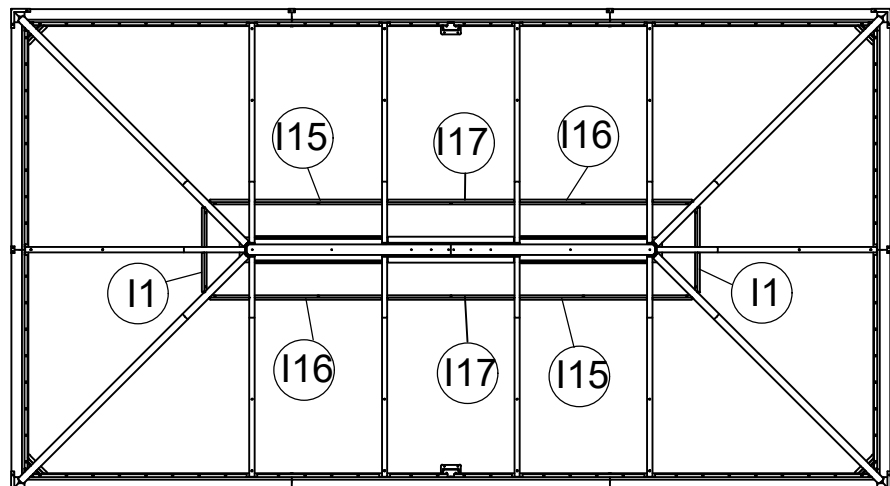
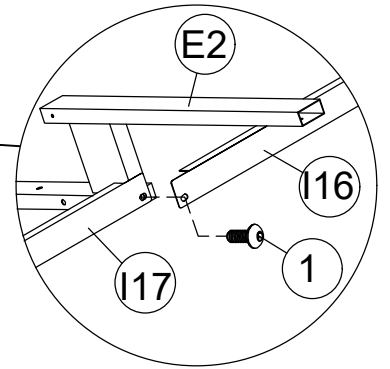
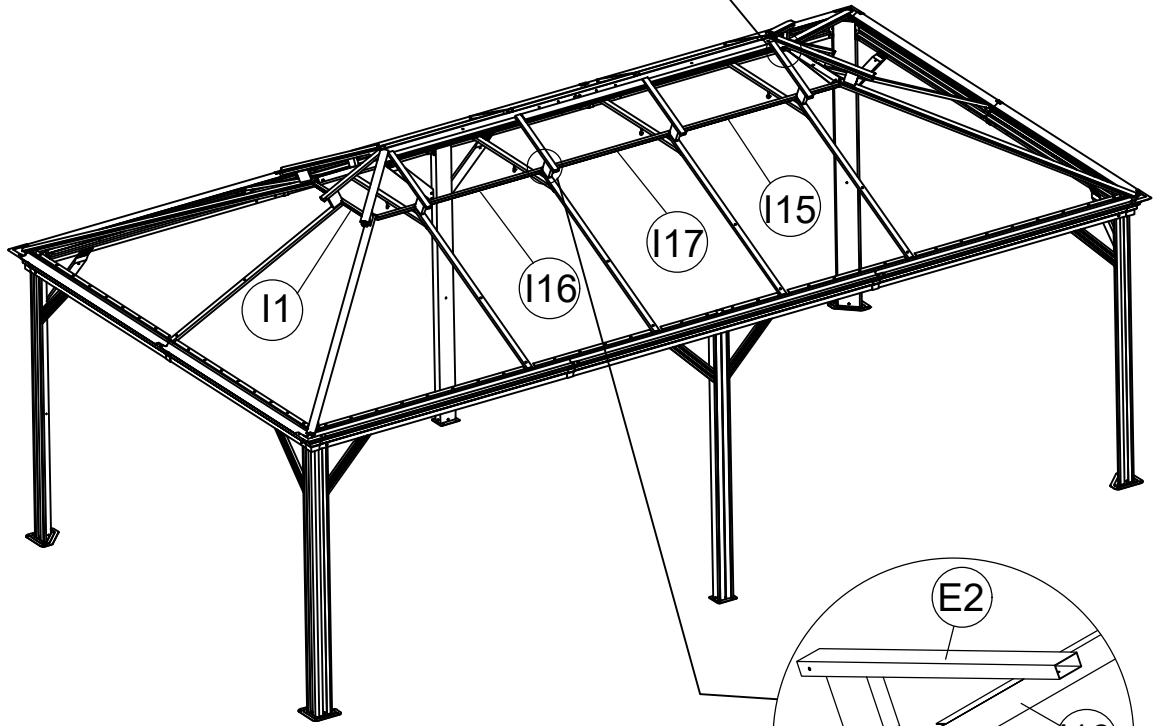
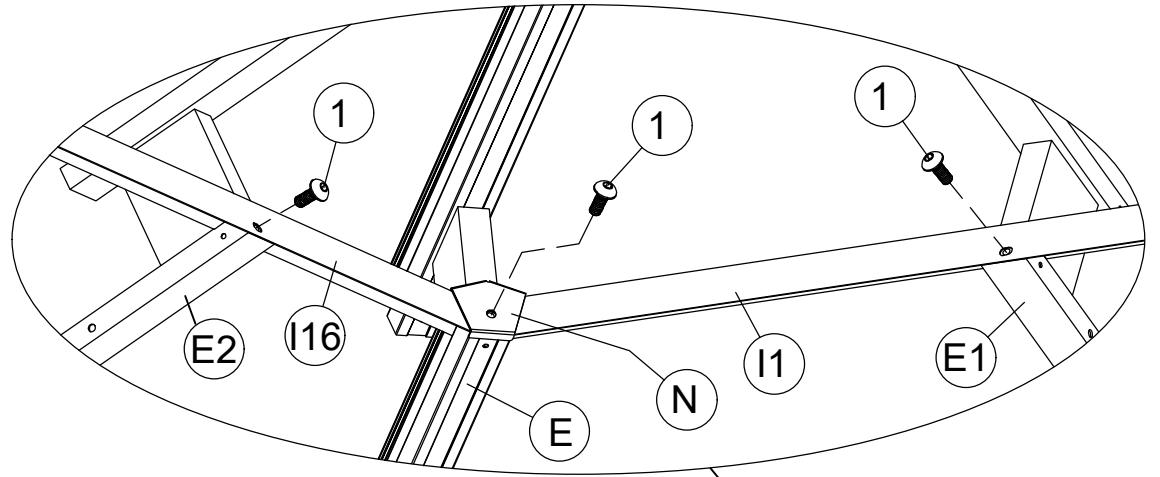
I17 2x



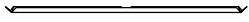
N 4x



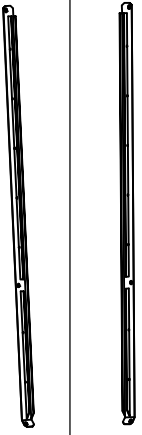
1 14x M6x15



<15>



G1 2x



G15 2x G16 2x



G17 2x



N 4x

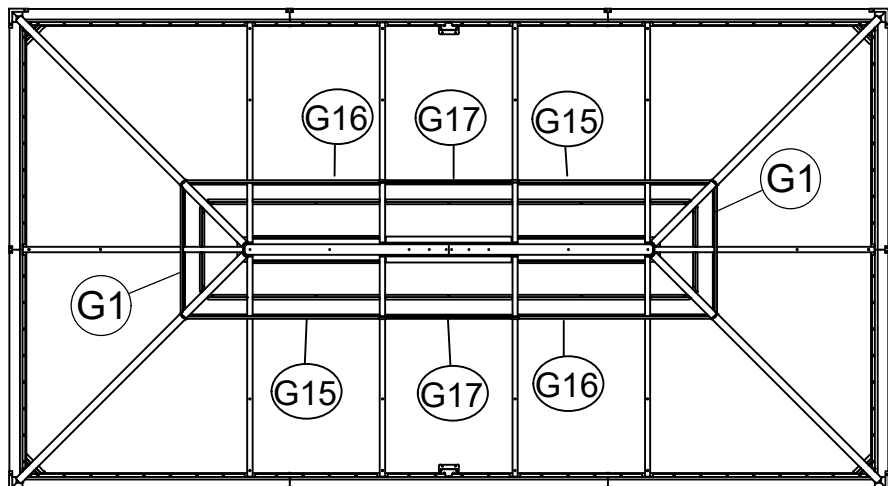
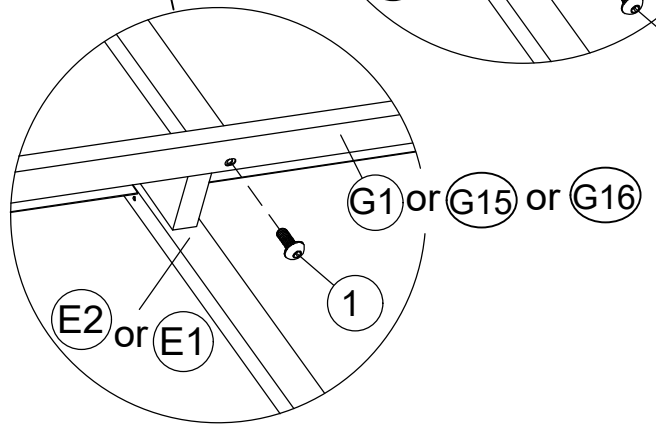
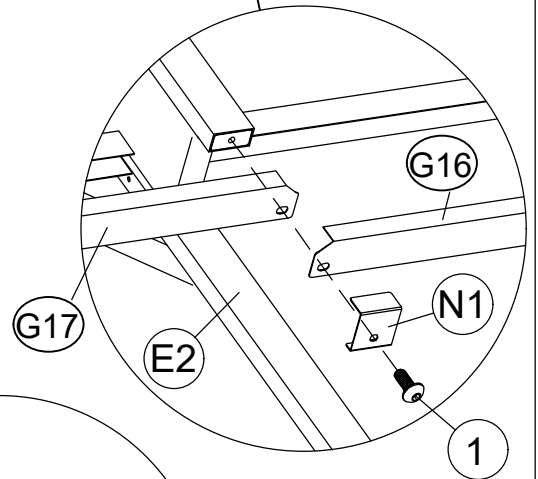
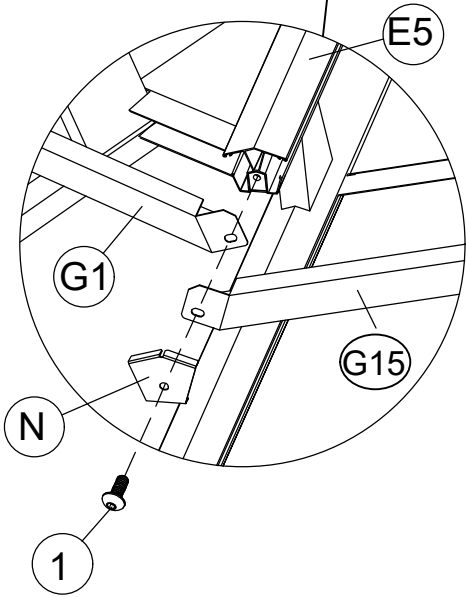
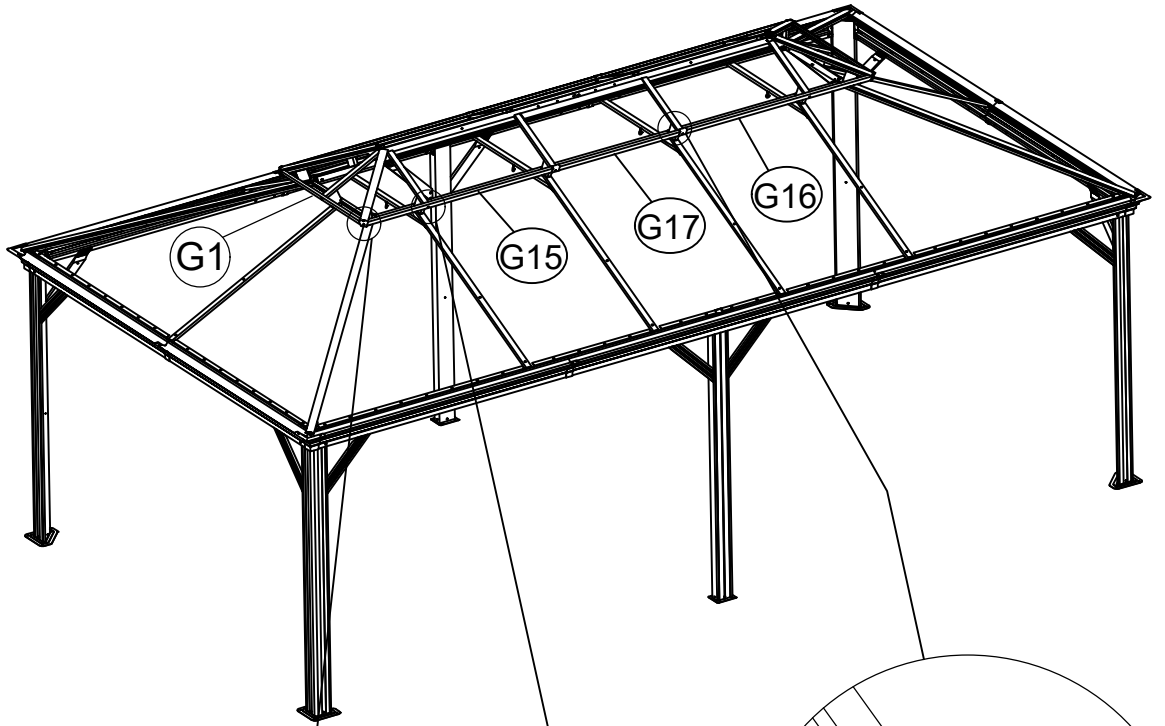


N1 4x



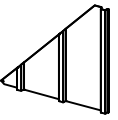
1 14x M6x15

20

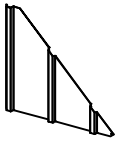


<16>

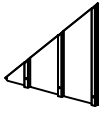
S1 2x



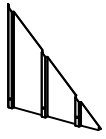
S2 2x



R1 2x



R2 2x



R3 2x



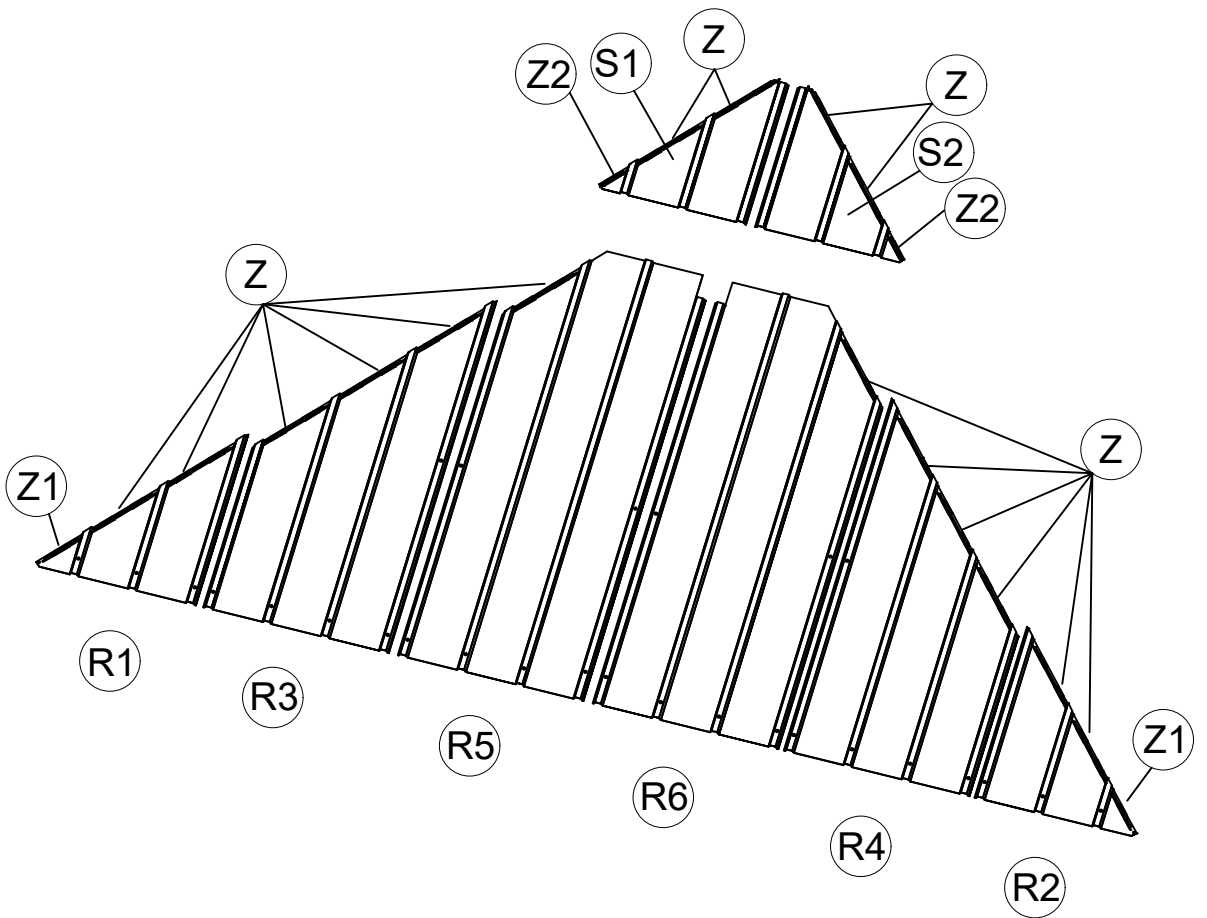
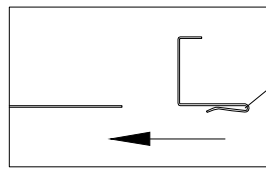
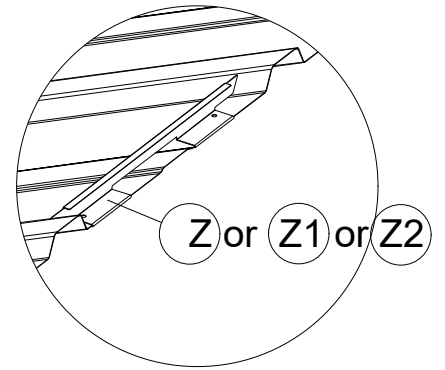
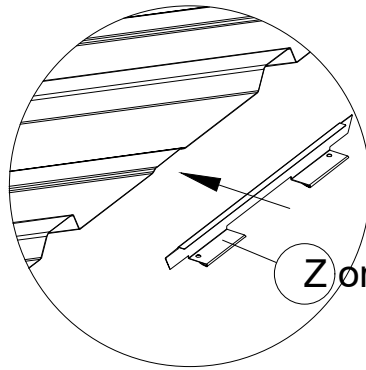
R4 2x



R5 2x

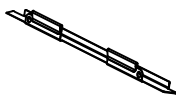


R6 2x

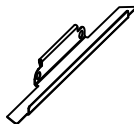


21

Z 32x



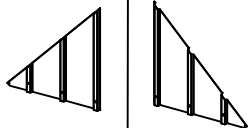
Z1 4x



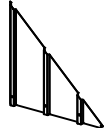
Z2 4x



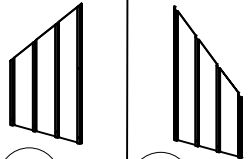
<17>



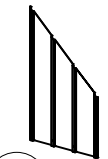
R1 2x



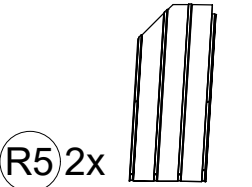
R2 2x



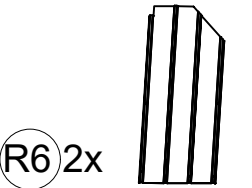
R3 2x



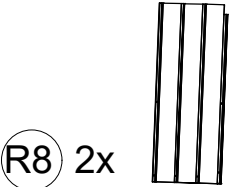
R4 2x



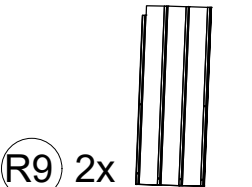
R5 2x



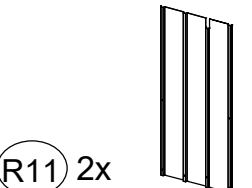
R6 2x



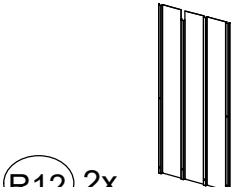
R8 2x



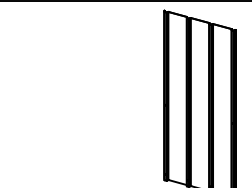
R9 2x



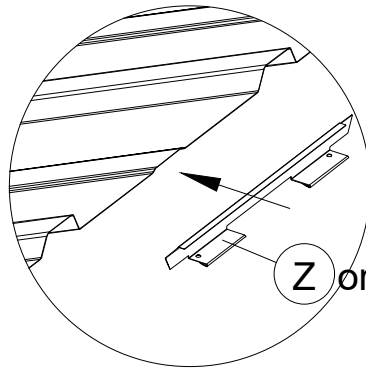
R11 2x



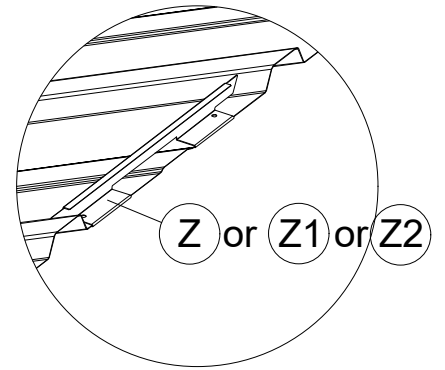
R12 2x



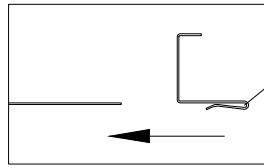
R13 2x



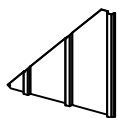
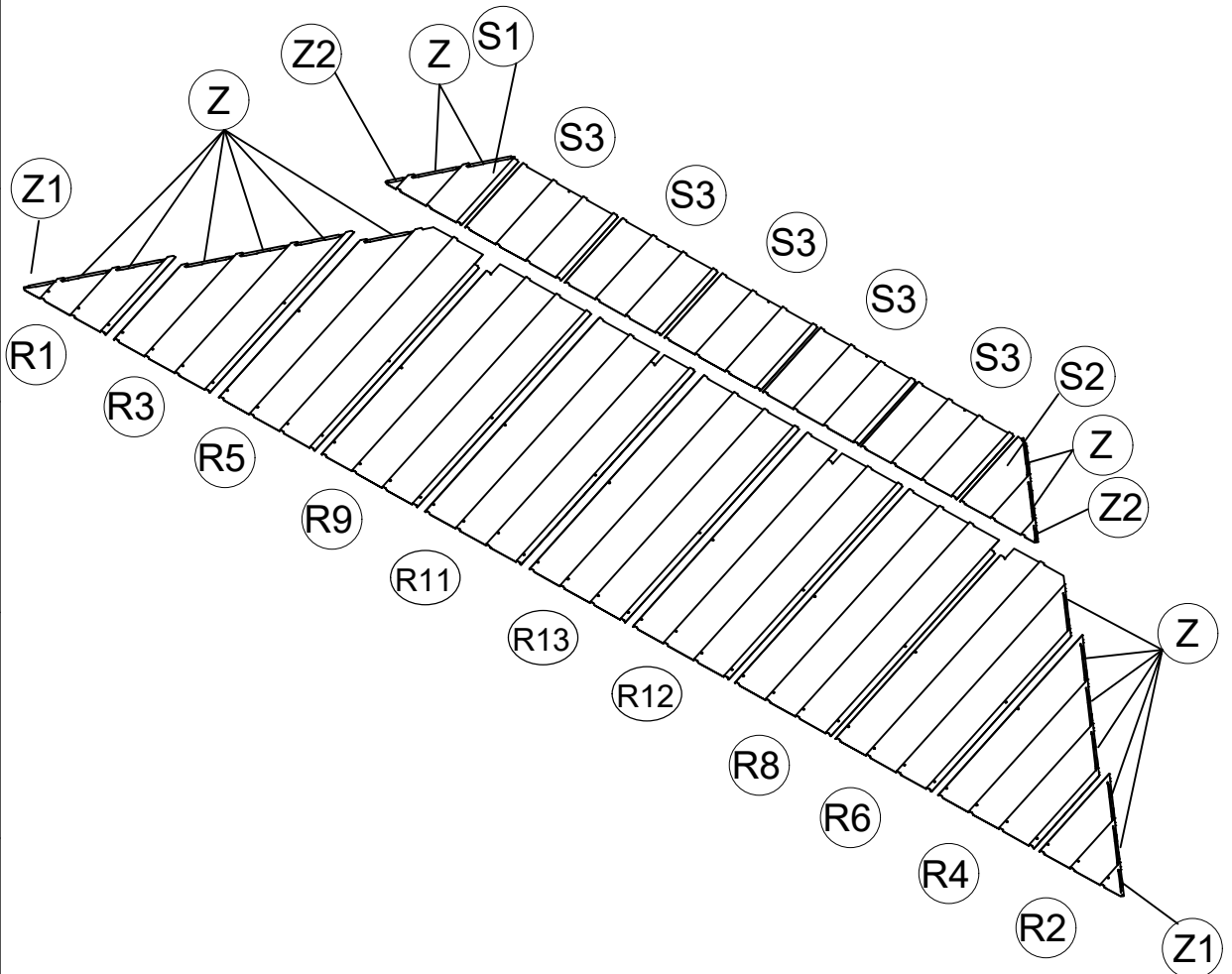
Z or Z1 or Z2



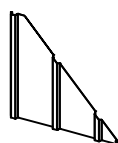
Z or Z1 or Z2



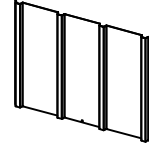
Z or Z1 or Z2



S1 2x



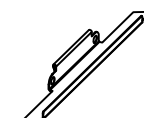
S2 2x



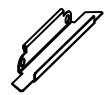
S3 10x



Z 32x

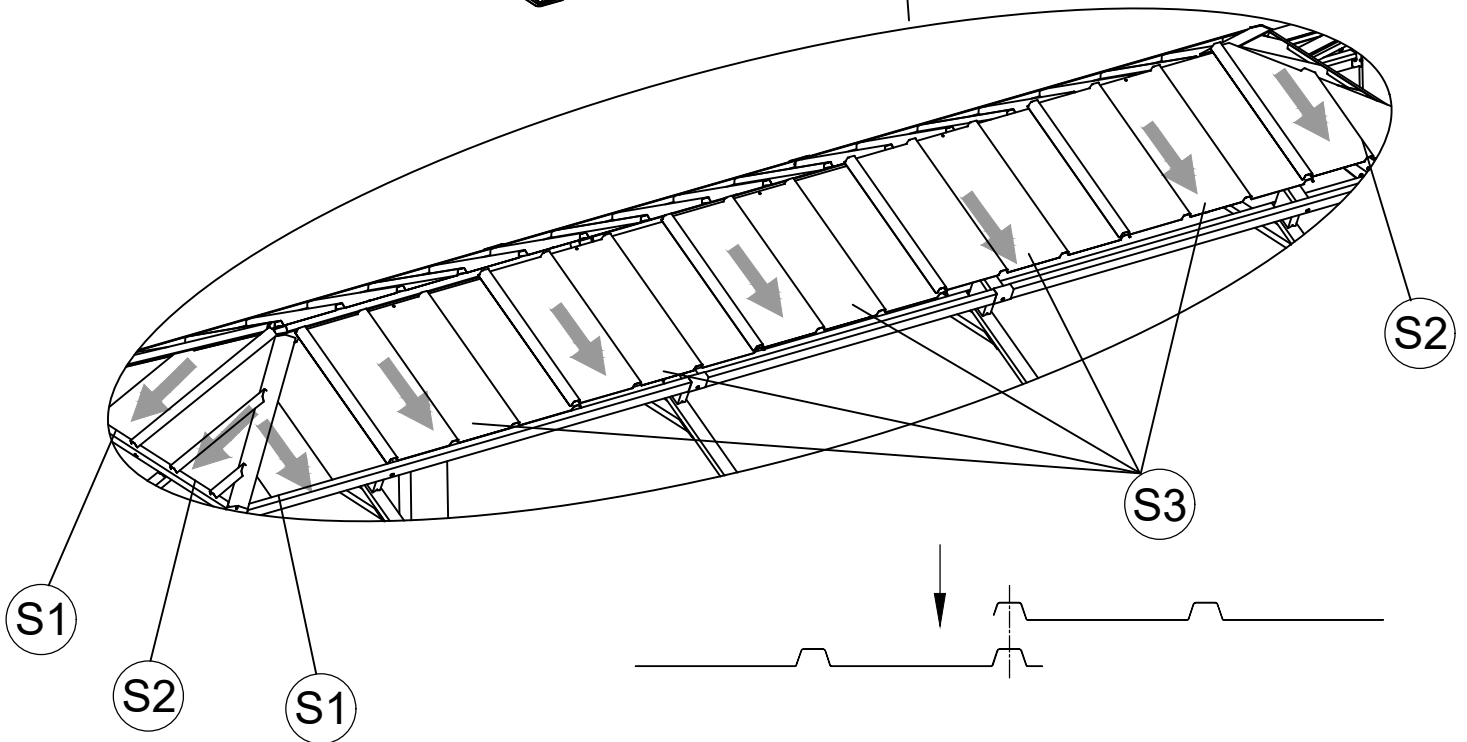
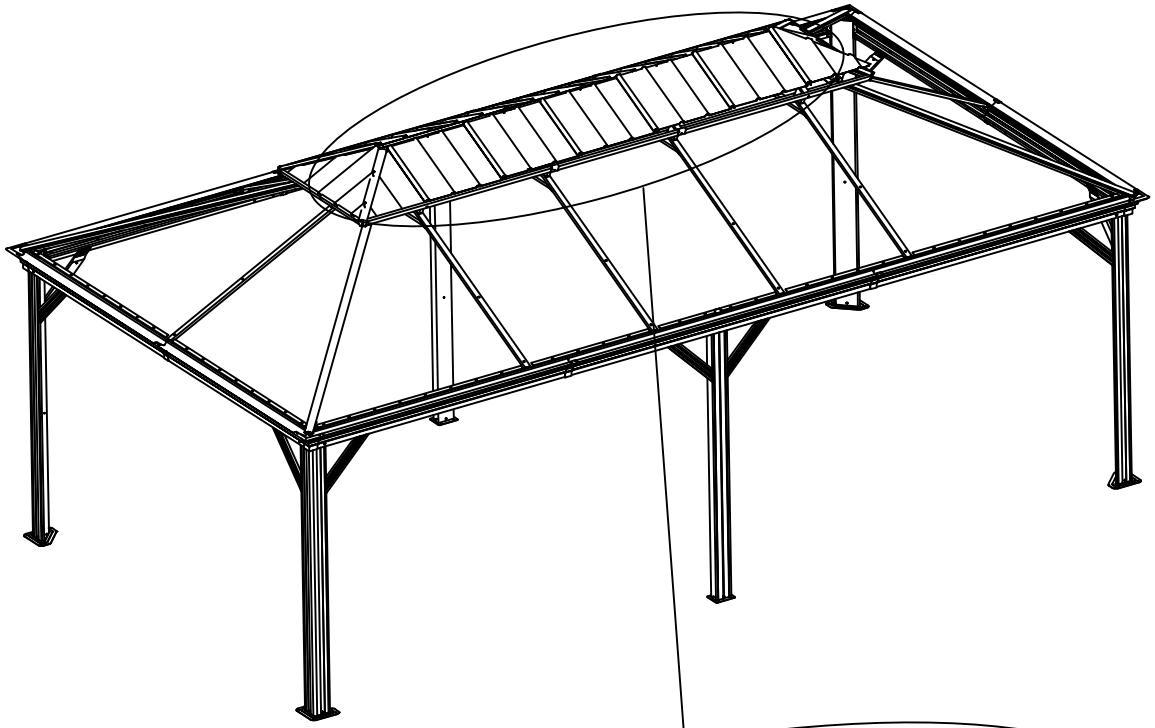


Z1 4x

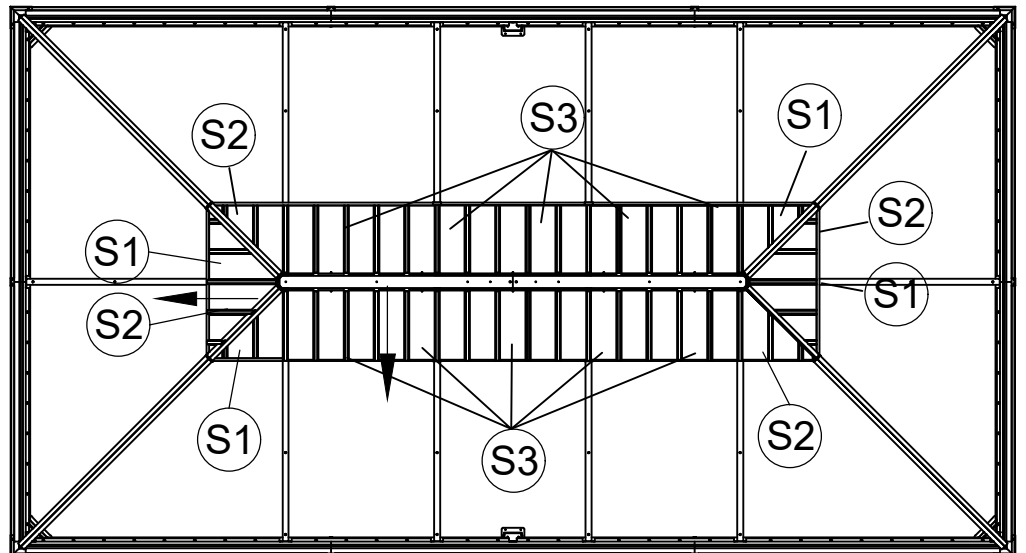


Z2 4x

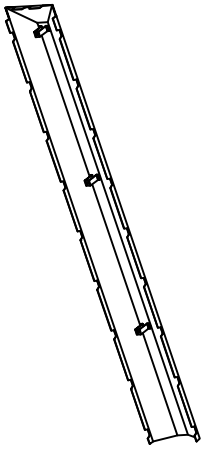
22



When installing the Roof plates (S2) onto short side, pls detach the right end of Roof Rib(G1) first. And then install the right end of Roof Rib (G1) again after S2 is installed.



<19>



(M8b) 2x

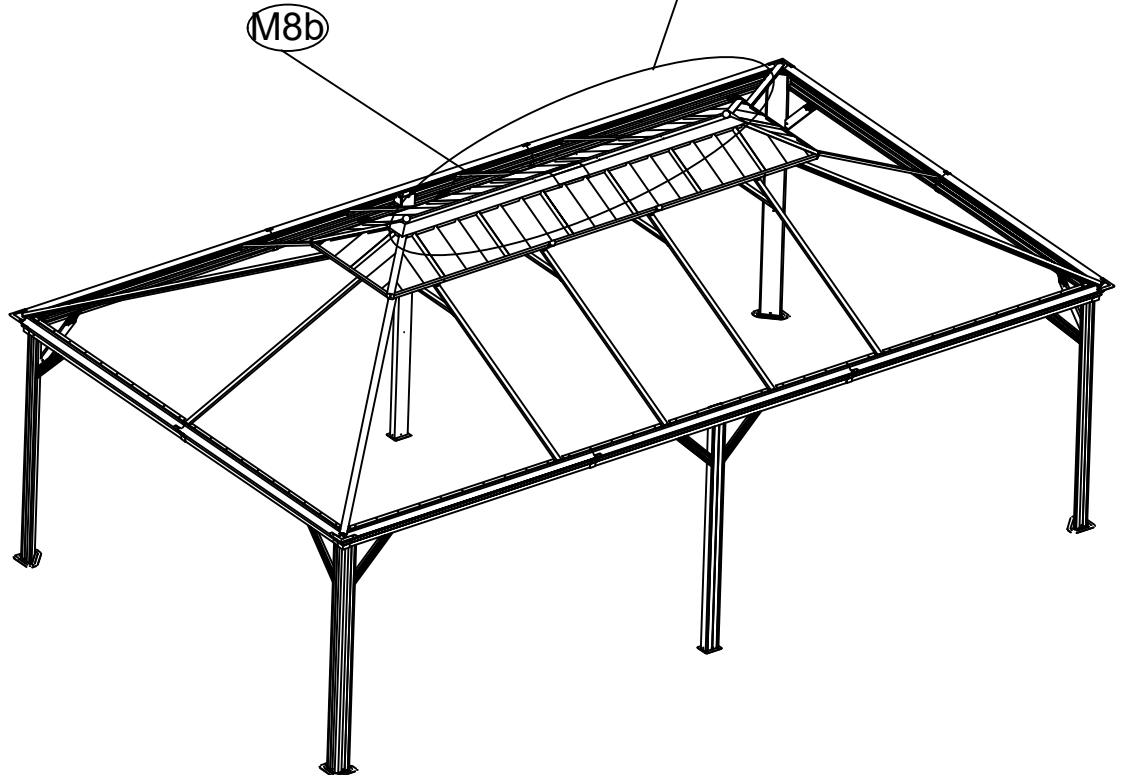
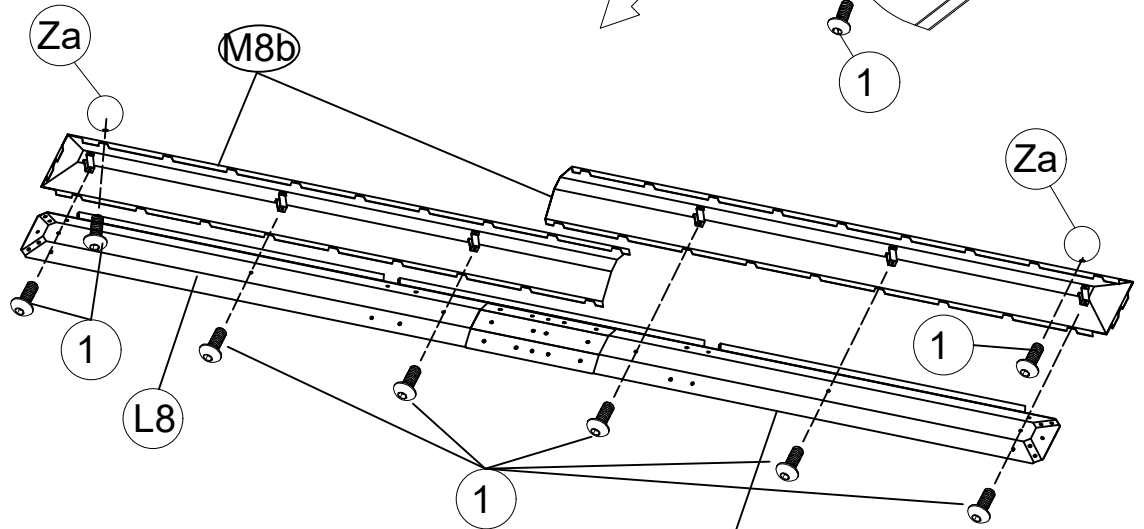
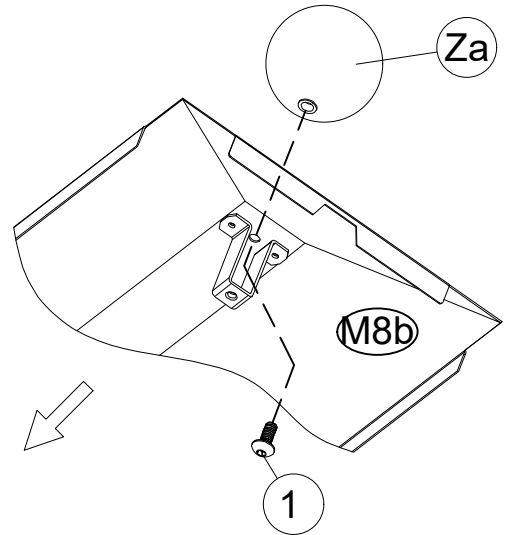


M6x15

(1) 8x

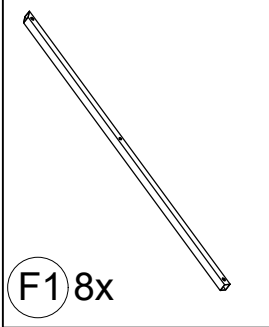


(Za) 2x

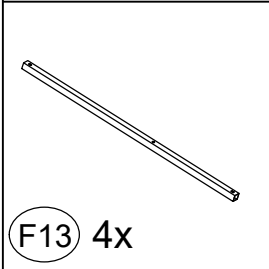




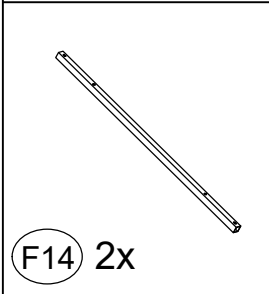
<20>



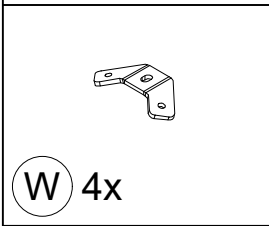
F1 8x



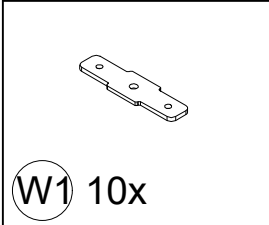
F13 4x



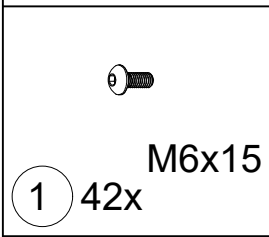
F14 2x



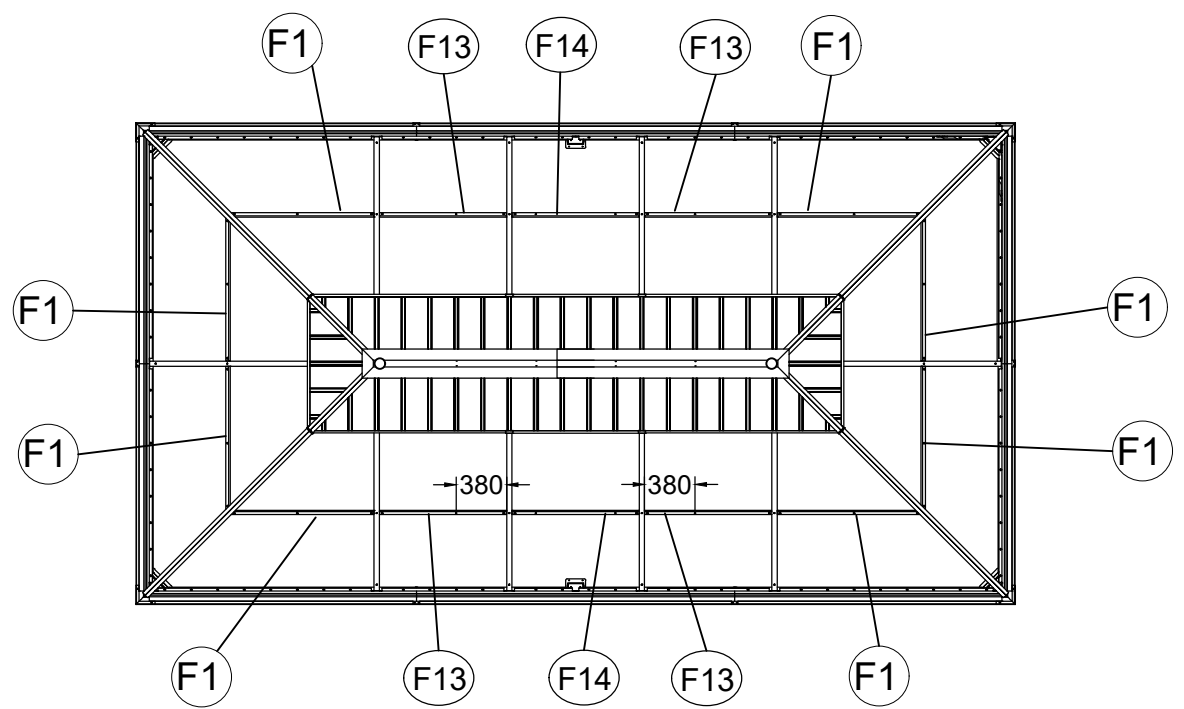
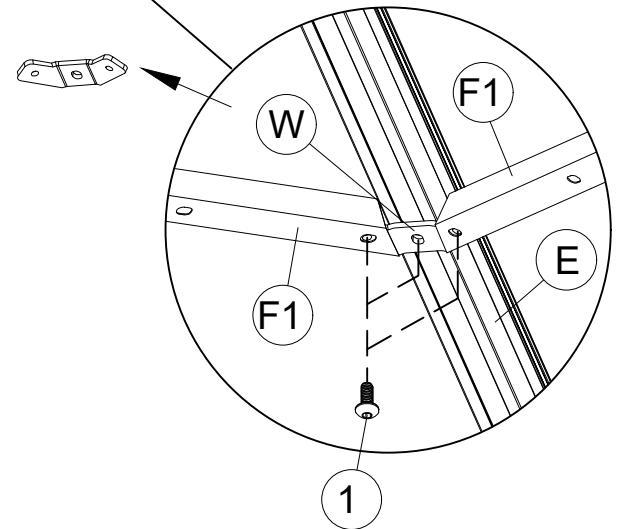
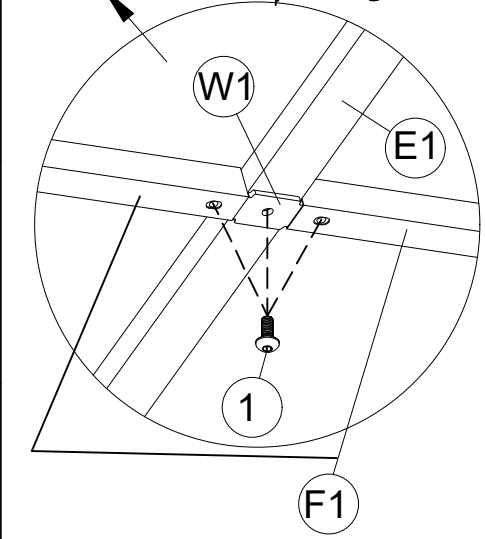
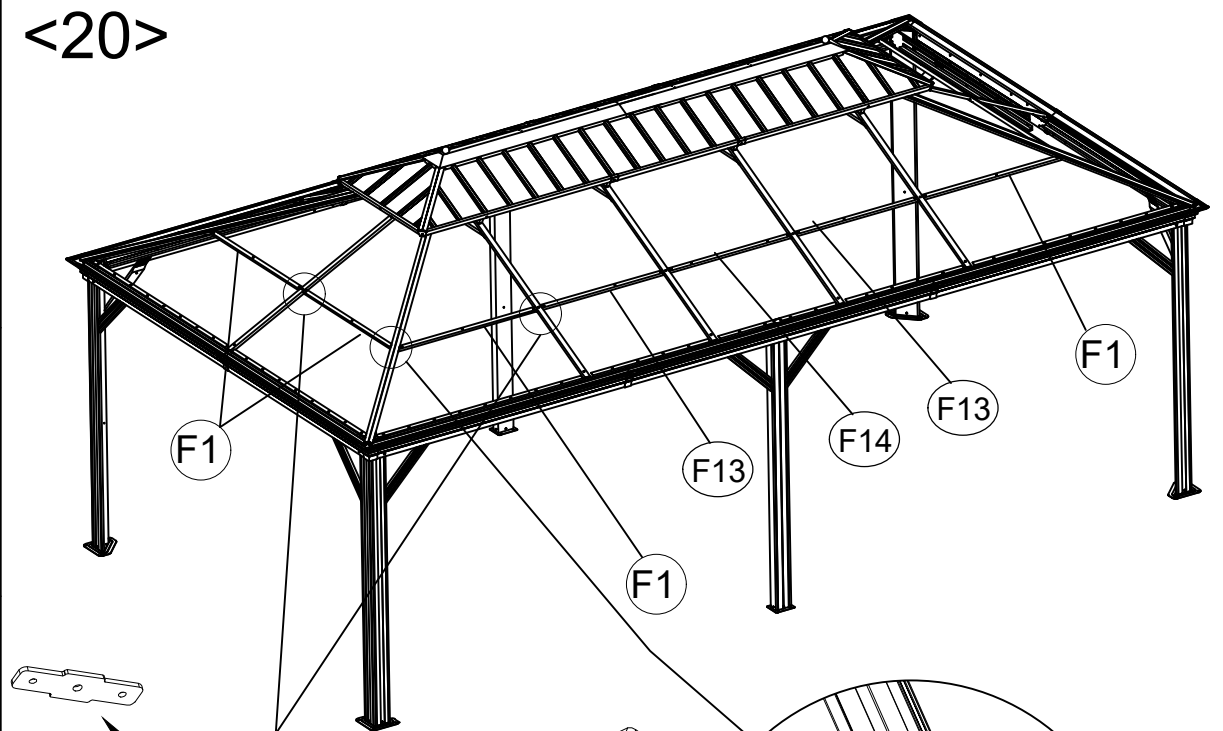
W 4x



W1 10x

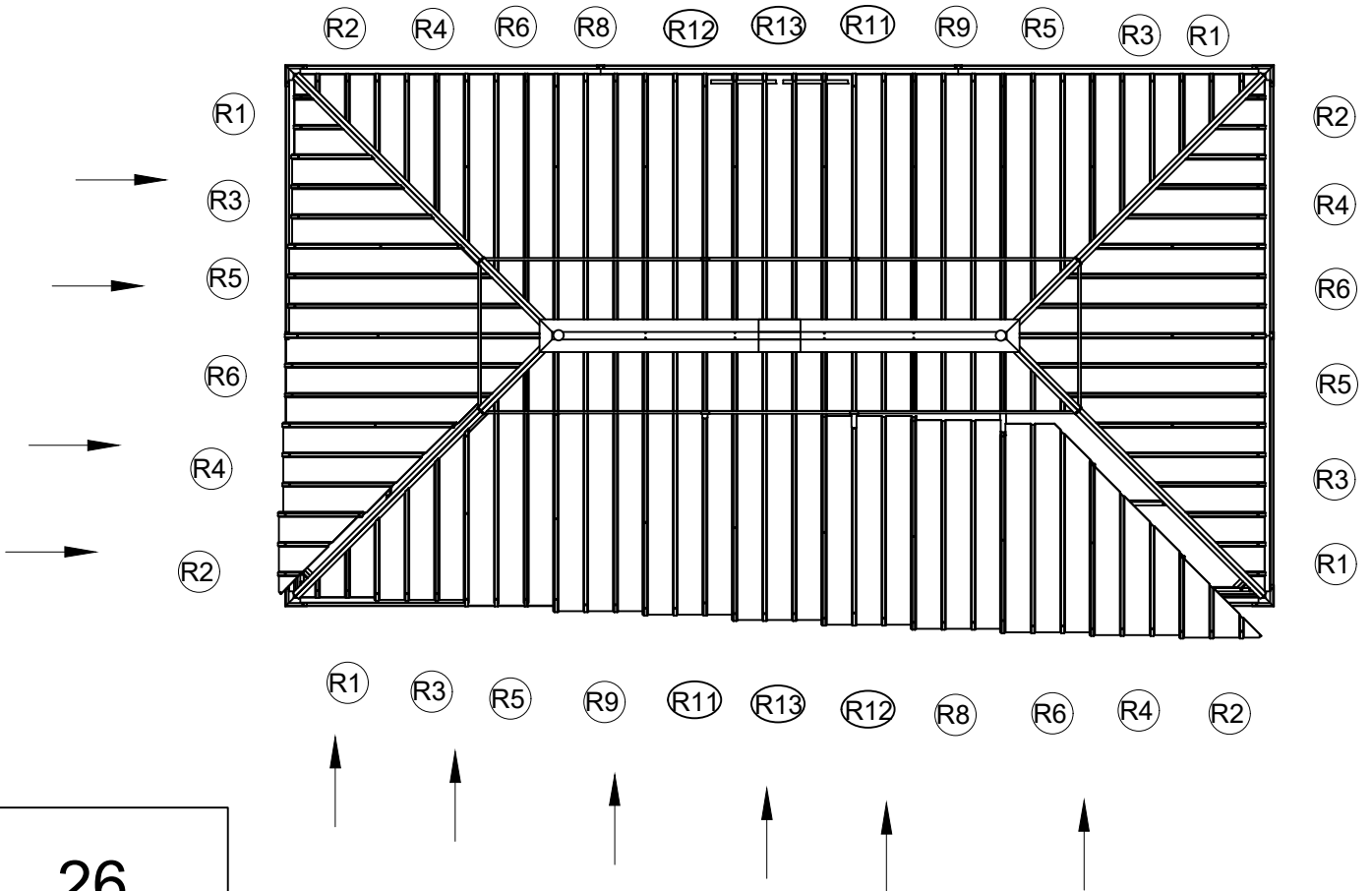
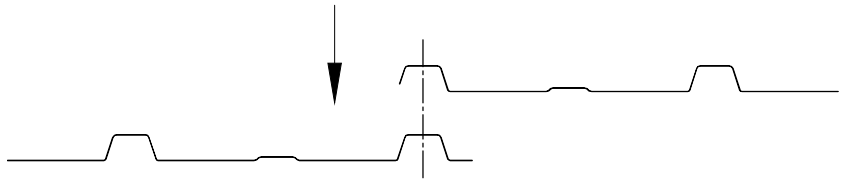
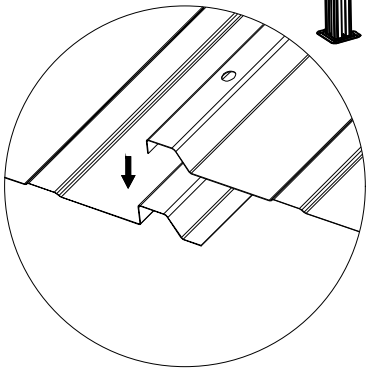
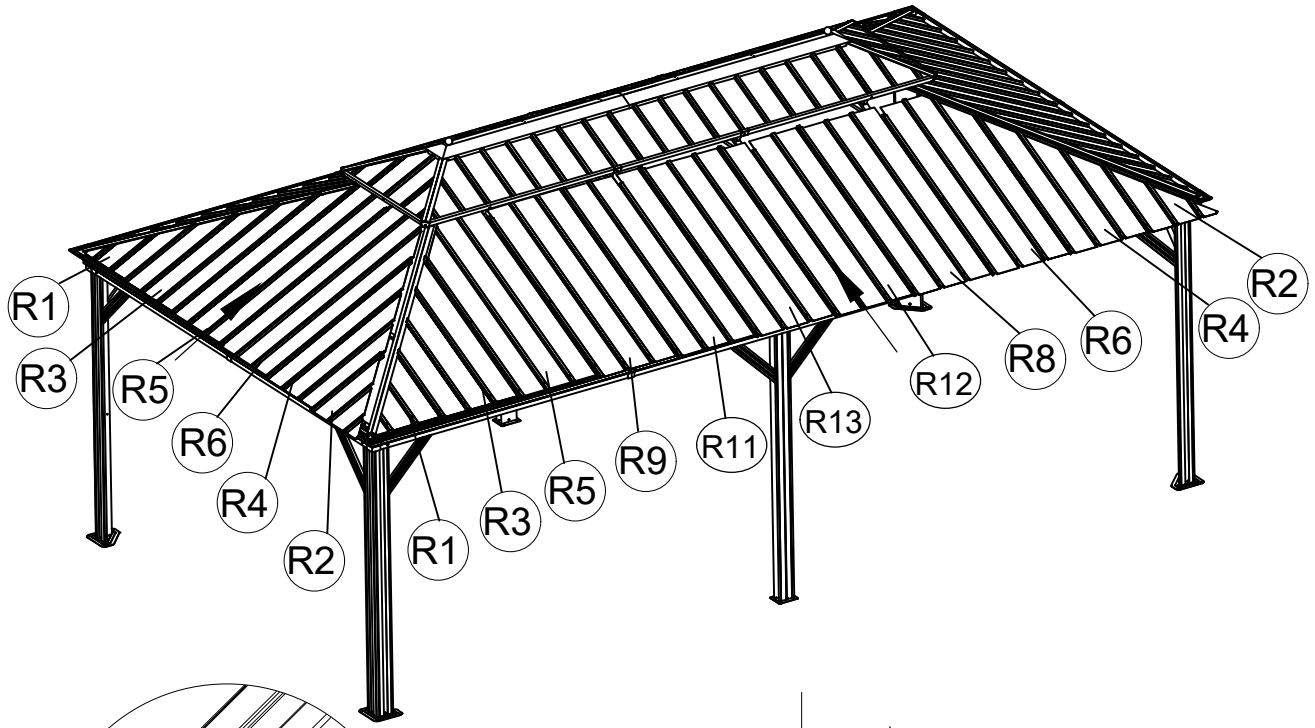


1 42x M6x15



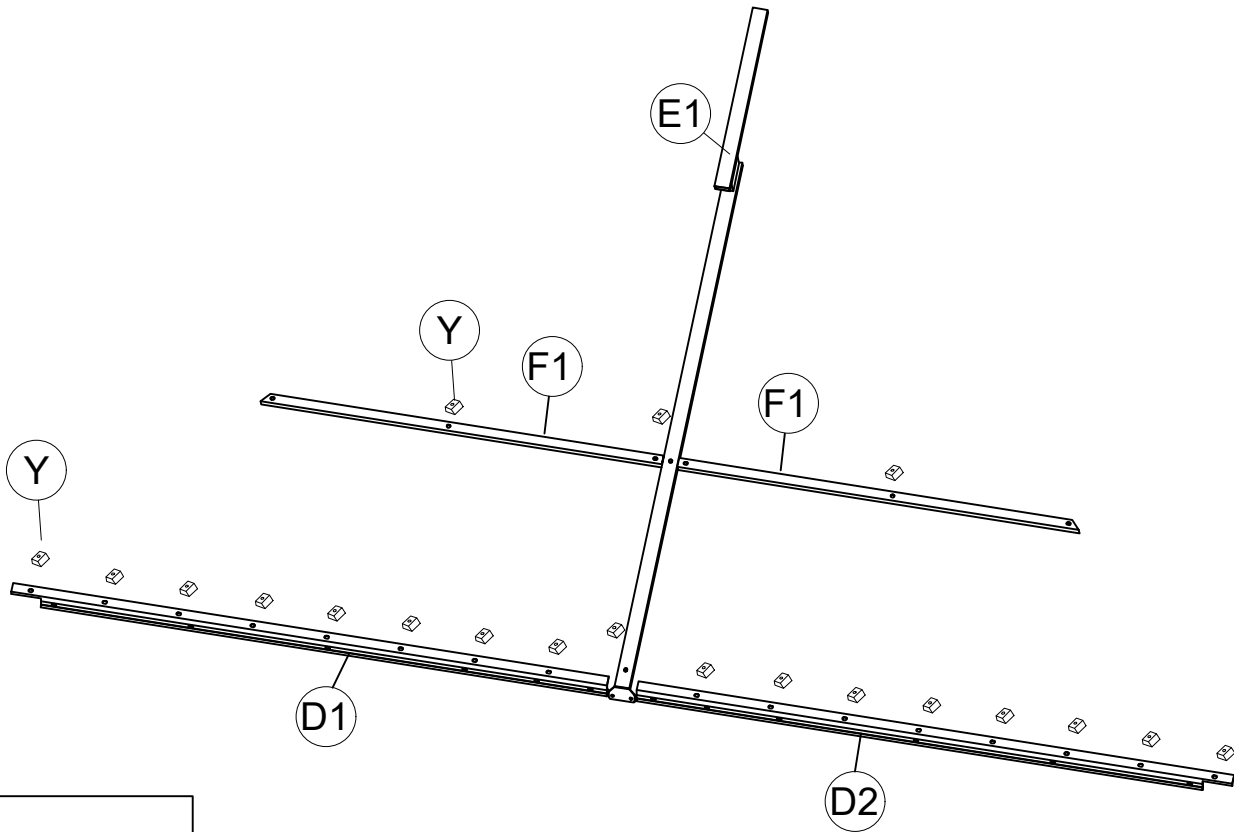
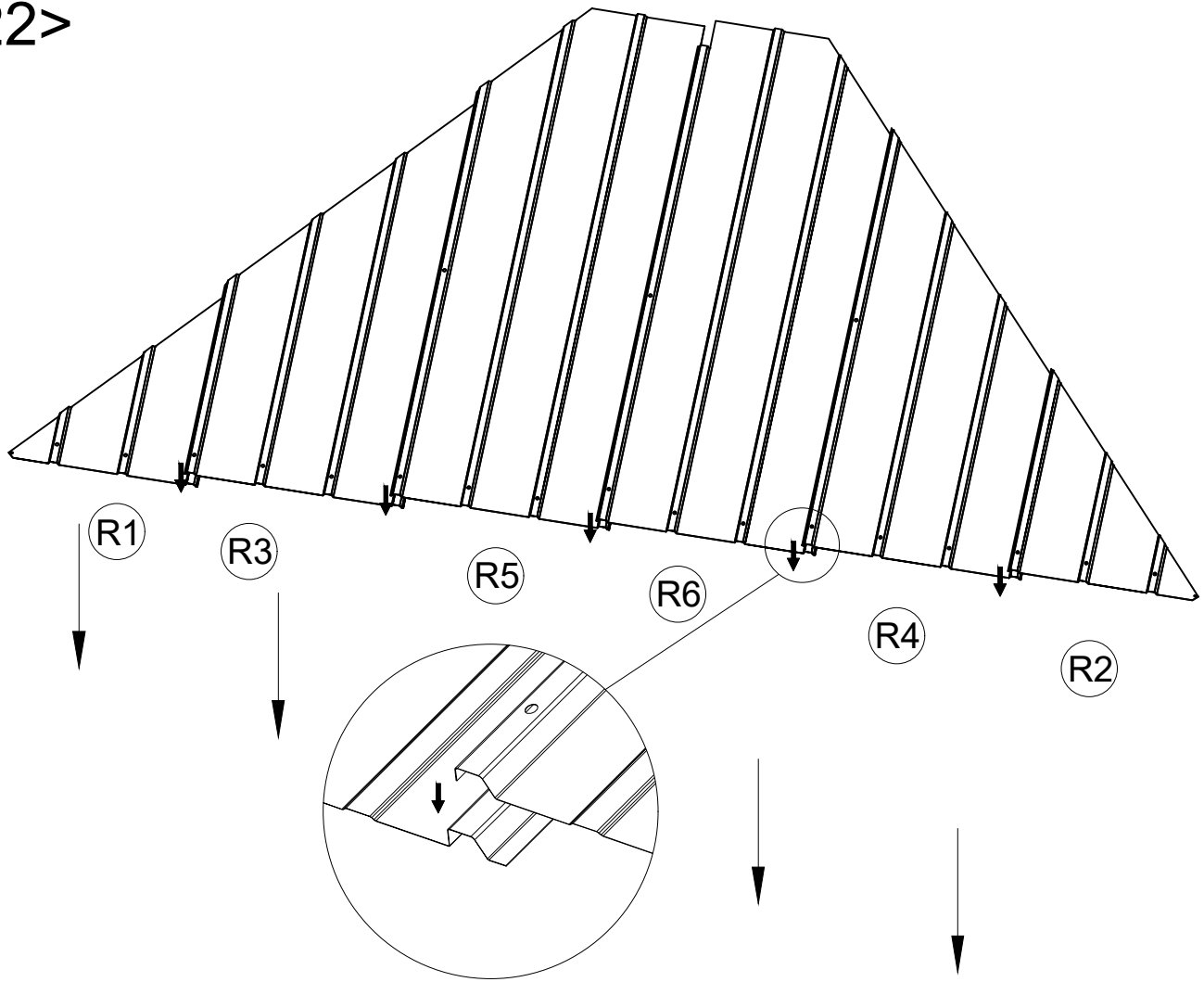
25

<21>



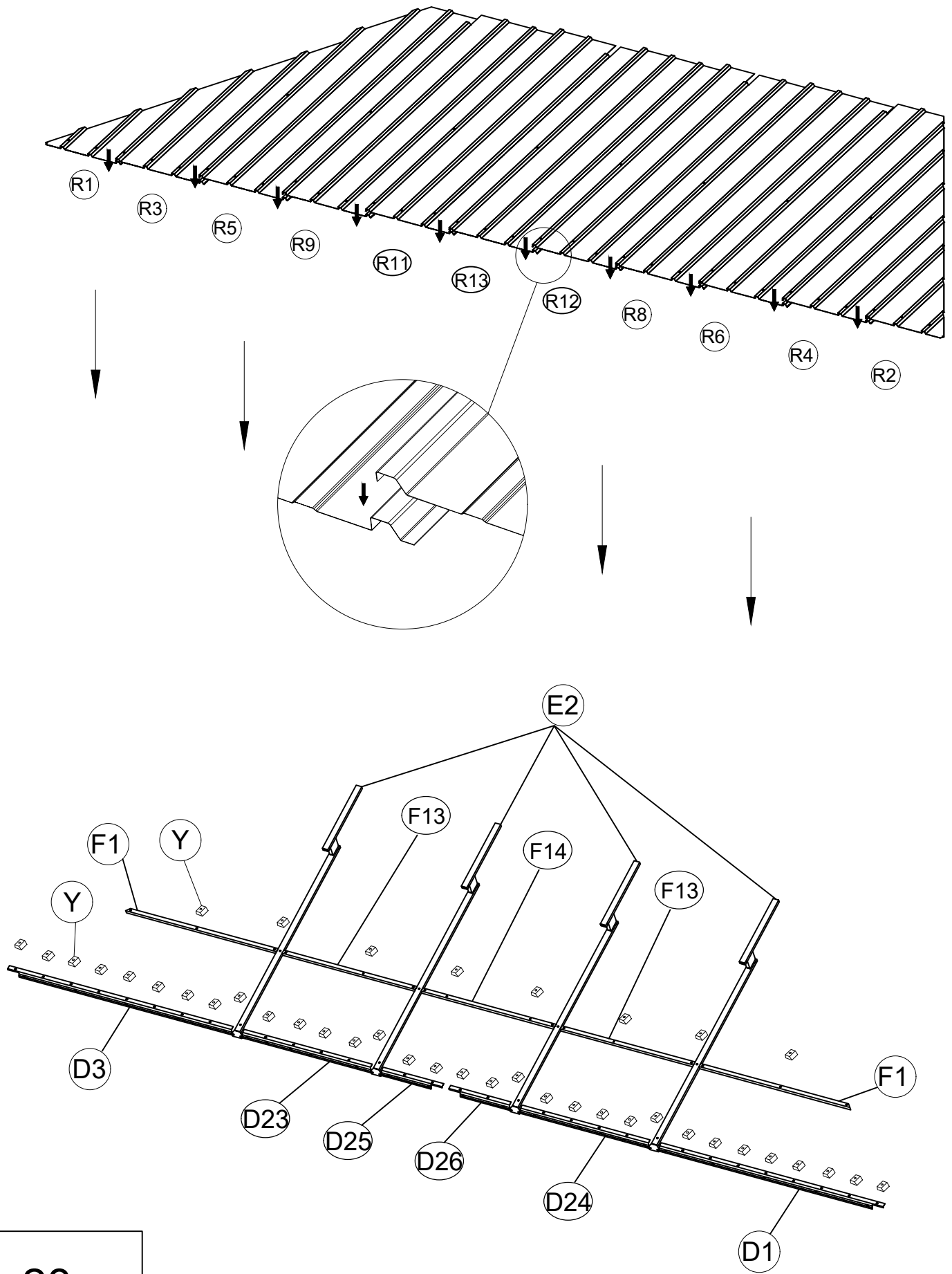
26

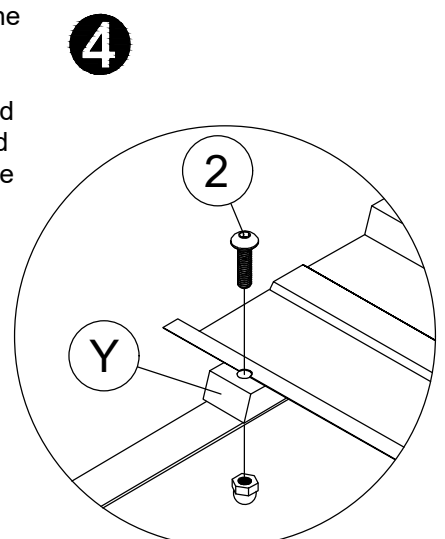
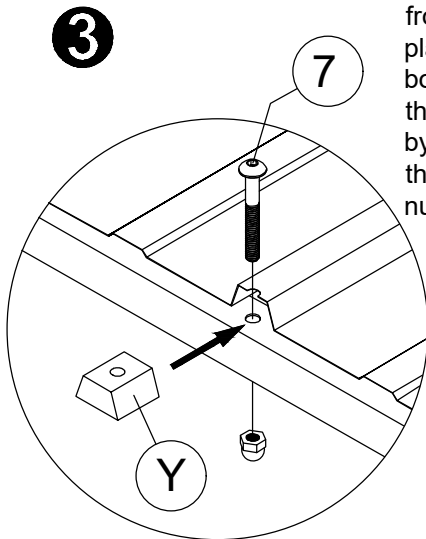
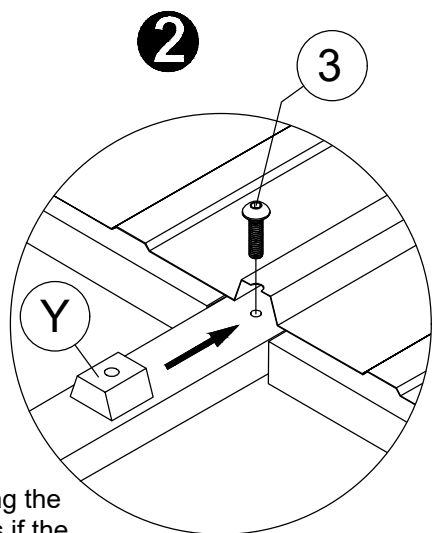
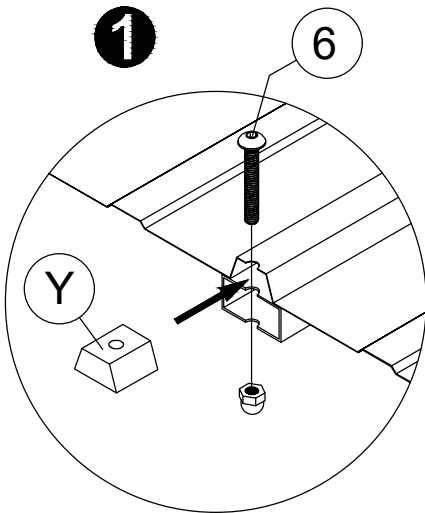
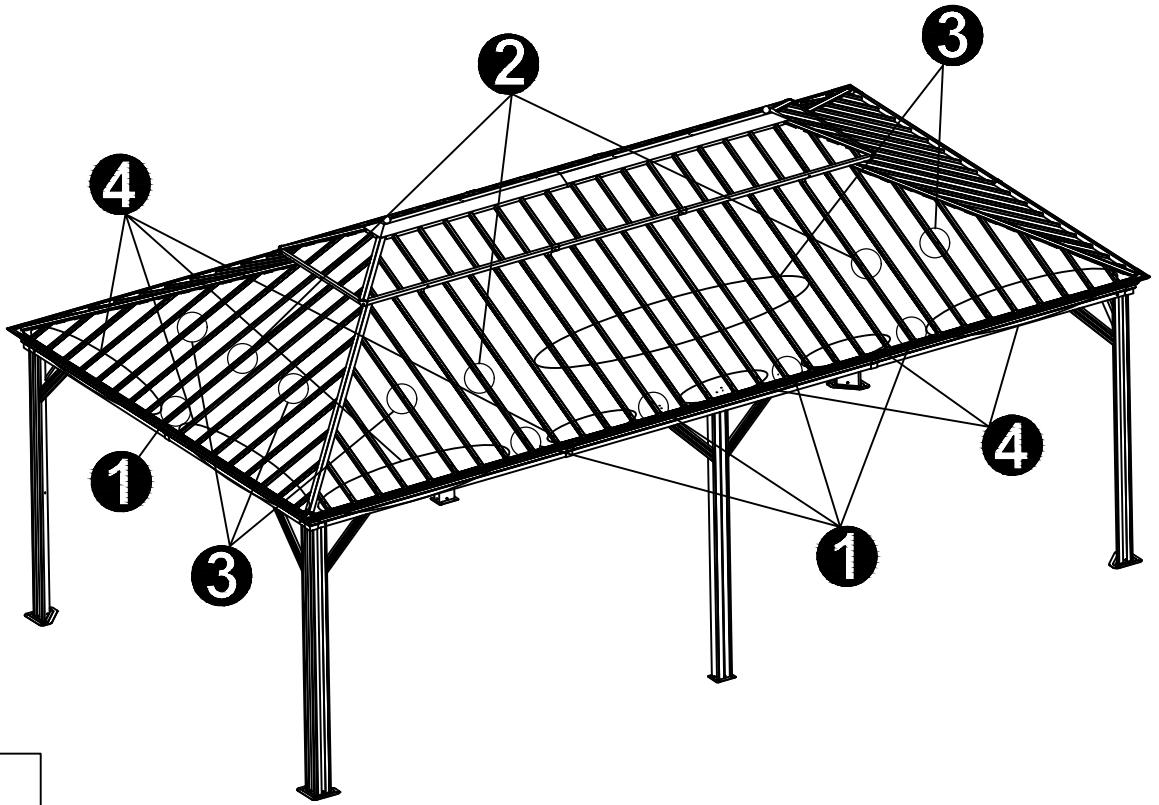
<22>



27

<23>





Note:  
When installing the roof top plates, if the roof plates are slightly uneven, please press the screws from the top of the plates until the bottom screw thread is exposed by 3 to 4mm, and then screw on the nut.



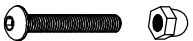
(Y) 120x



(2) 88x M6x23



(3) 6x M6x25

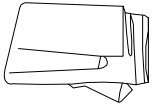


(6) 10x M6x42

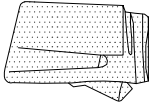


(7) 16x M6x47

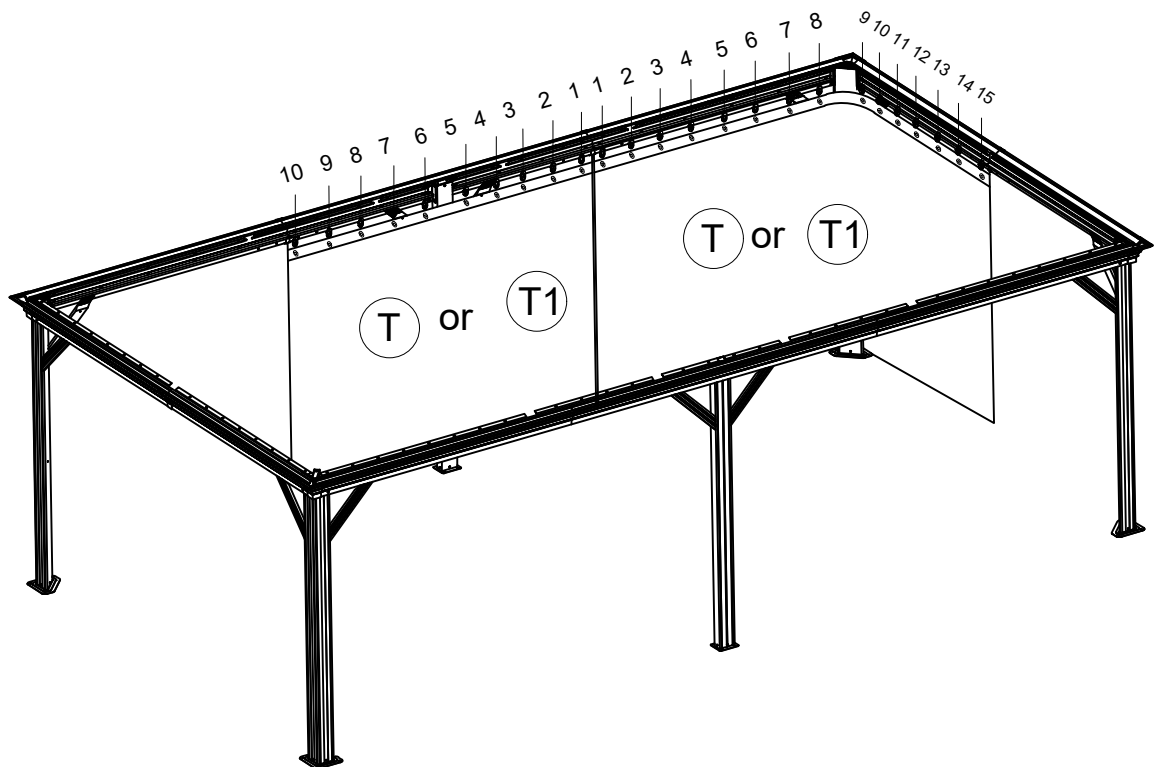
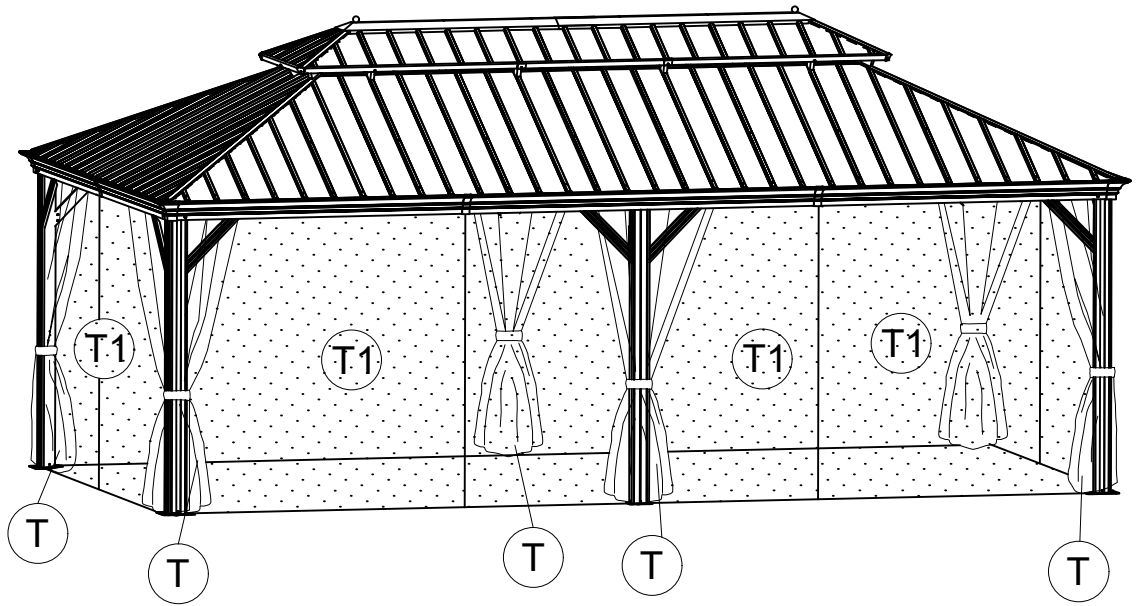
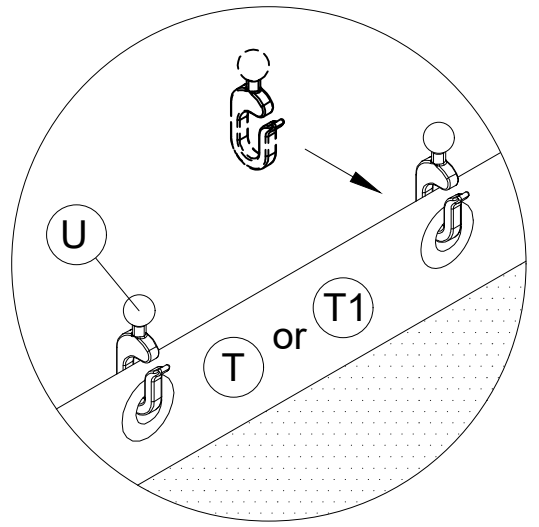
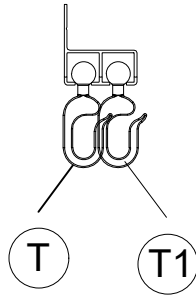
<25>



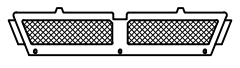
T 4x + 2x



T1 4x + 2x



<26>



V1 2x



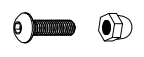
V10a 2x



V10b 2x

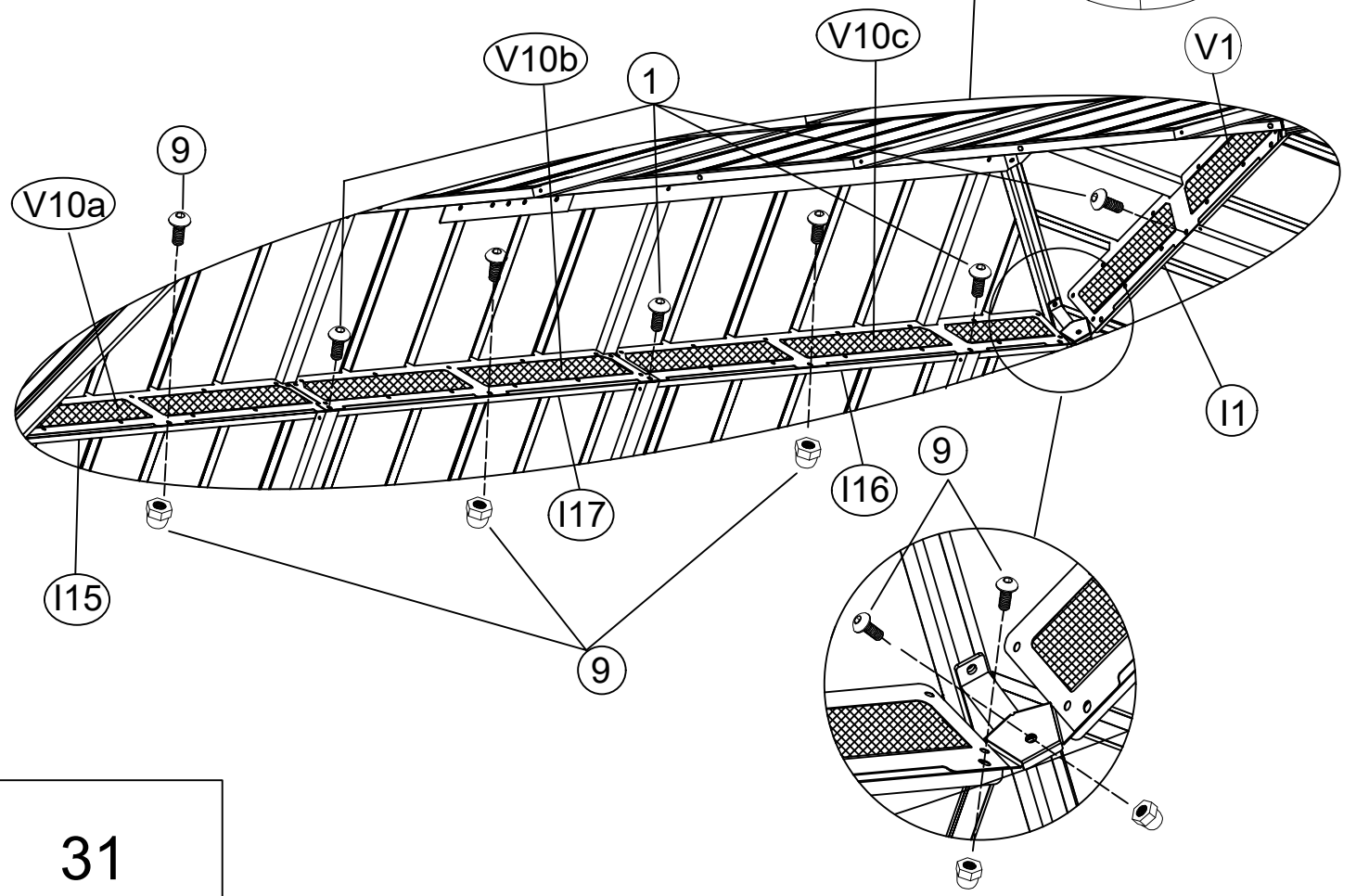
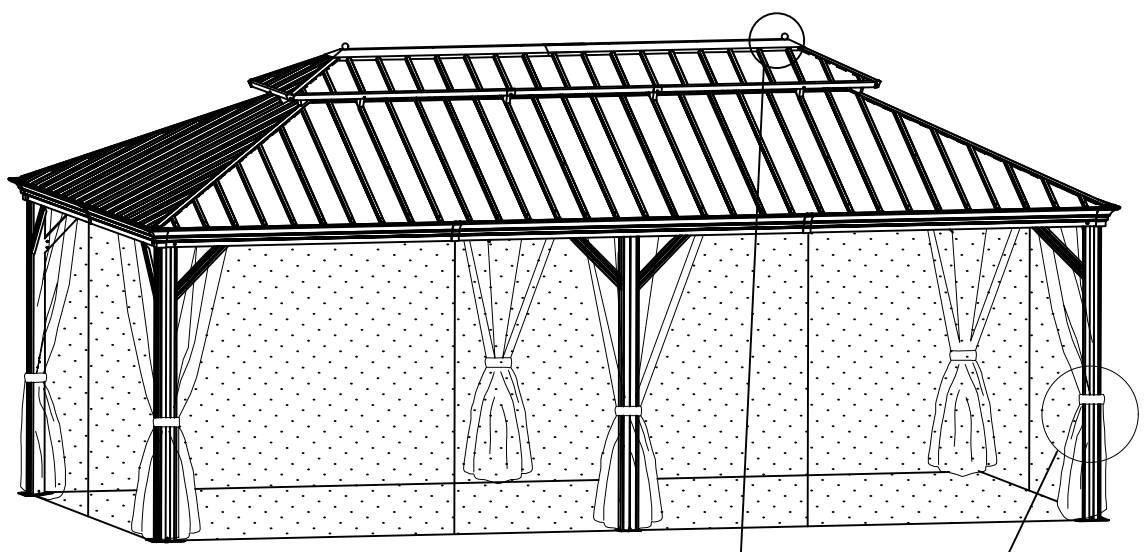


V10c 2x



M6x10

9 14x



31

Carton-1/6		Carton-2/6		Carton-3/6		Carton-5/6	
Part	Qty	Part	Qty	Part	Qty	Part	Qty
A	4	V1	2	N	8	R8	2
A3	2	V10a	2	N1	4	R9	2
F1	8	V10b	2	V	6	R5	4
F13	4	V10c	2	W	4	R6	4
F14	2	Y	120	W1	10	R11	2
F5	4	U	160	W3	8	R12	2
H3	2	J1	2	W4	12	R13	2
H4	2			W5	4		
				Za	2		
Carton-2/6		Carton-3/6					
Part	Qty	Part	Qty				
B1	2	B17	2	Carton-4/6			
B2	2	E	4	Part	Qty		
B3	2	E1	2	L8	2	Carton-6/6	
B4	2	E2	8	M8b	2	Part	Qty
C1	2	E5	4	L8b	1	R1	4
C2	2	C7	2	G1	2	R2	4
C3	2	C8	2	G15	2	R3	4
C4	2	H	4	G16	2	R4	4
D1	2	H1	4	I1	2	S1	4
D2	2	G17	2	D25	2	S2	4
D3	2	I15	2	D26	2	S3	10
D4	2	I16	2	P	6		
D23	2	I17	2	T	4 + 2		
D24	2	F17	2	T1	4 + 2		
Z	64	J	4	1.2.3.4.5.6. 7.8.9.10.11. 12.13.14.15	1		
Z1	8	K	4				
Z2	8	K1	6				