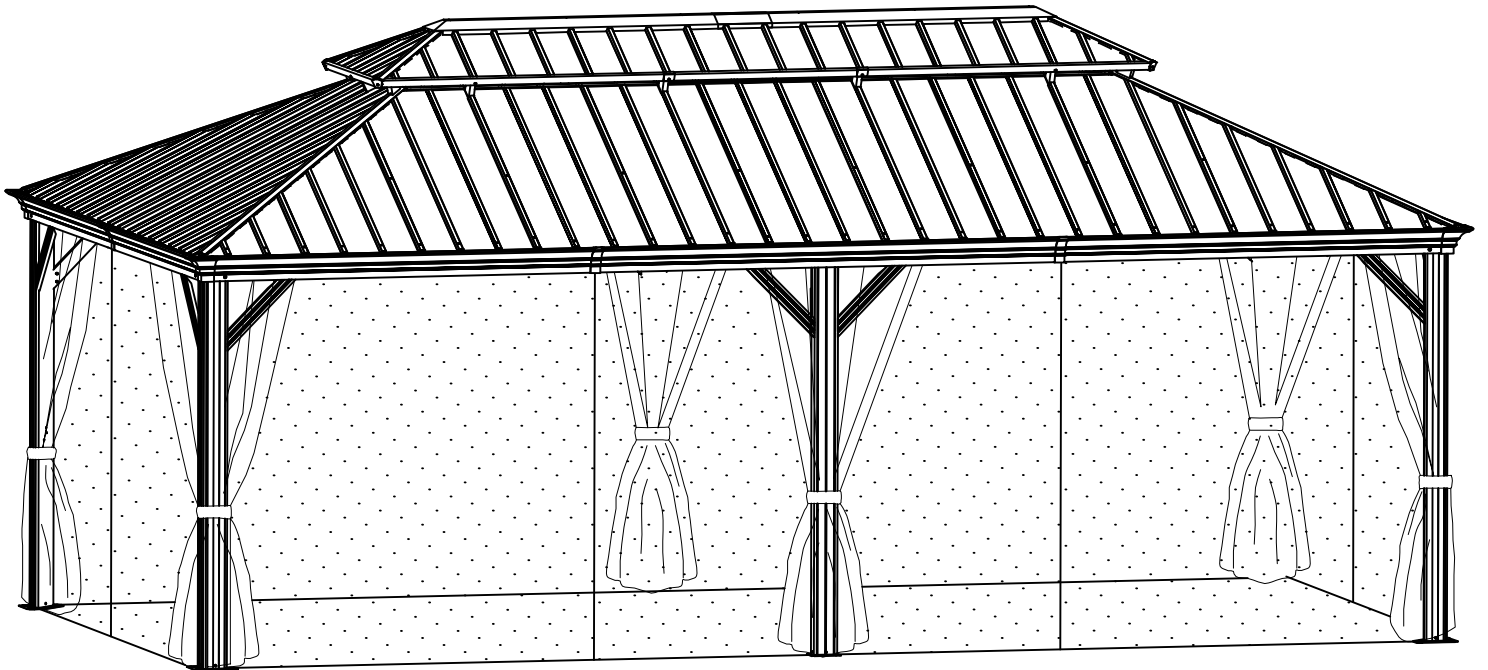


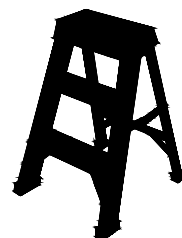
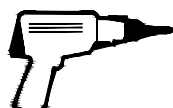
12 x 22FT

□ □ □ □ □ □ □ ZHG054MS □ □ □ □ □ □ □ □



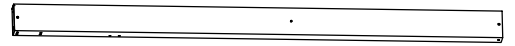
Need at least five people to work together

REQUIRED TOOLS

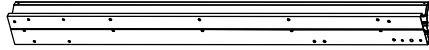




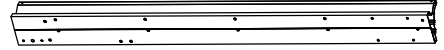
A 4x



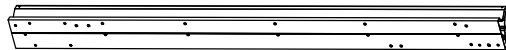
A3 2x



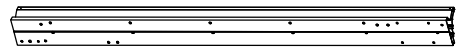
B1 2x



B2 2x



B3 2x



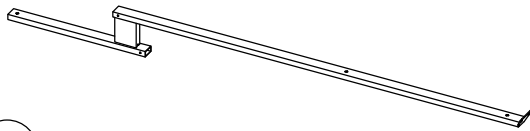
B4 2x



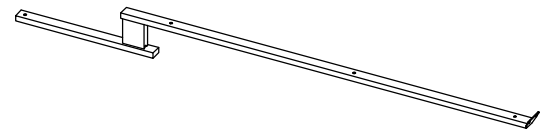
B17 2x



E 4x



E1 2x



E2 8x



E5 4x



C1 2x



C2 2x



C3 2x



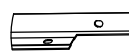
C4 2x



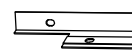
C7 2x



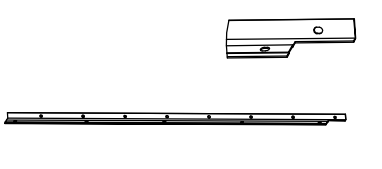
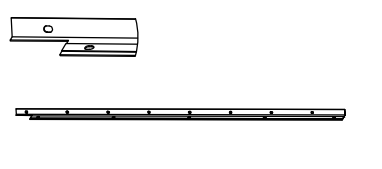
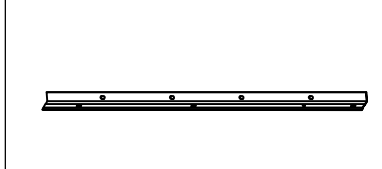
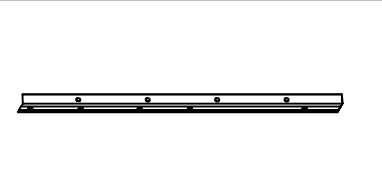
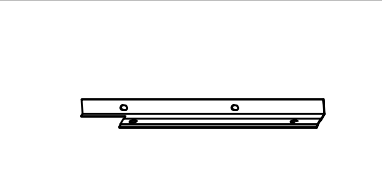
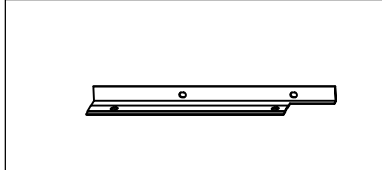
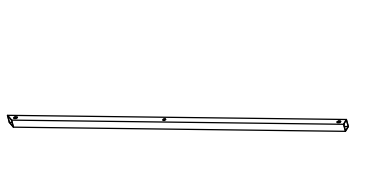
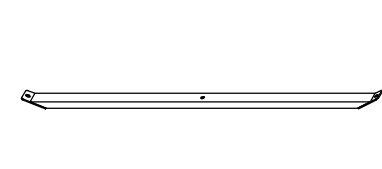
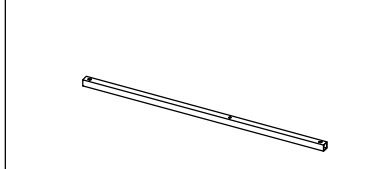
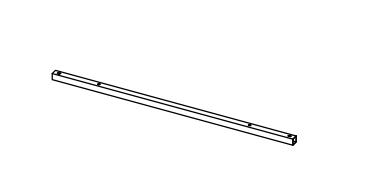
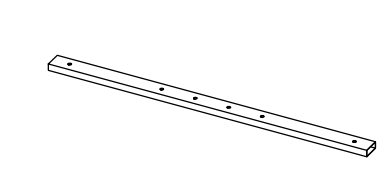
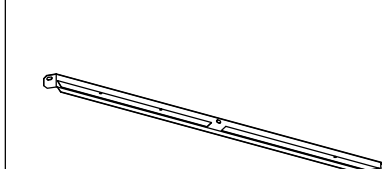
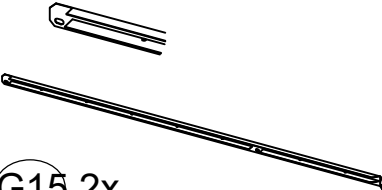

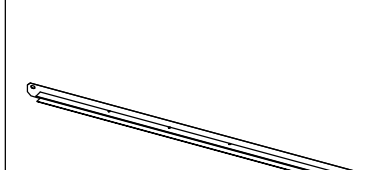
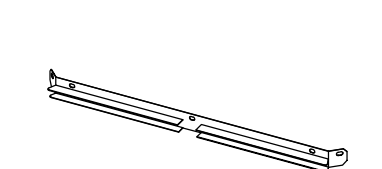
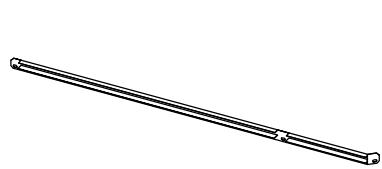
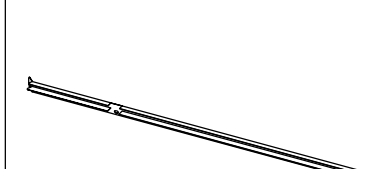
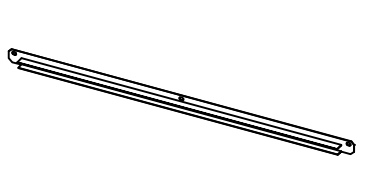
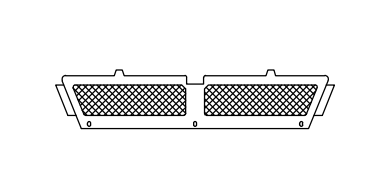
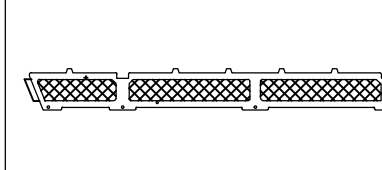
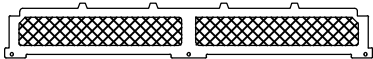
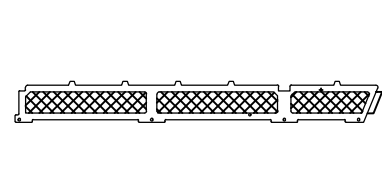
C8 2x

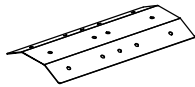
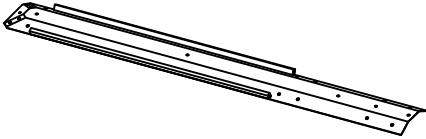
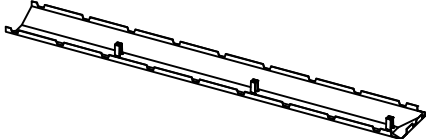
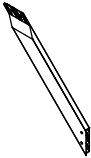

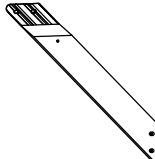
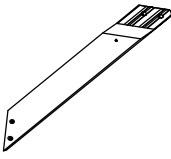
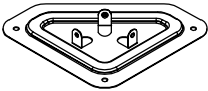
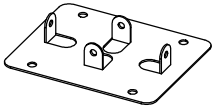
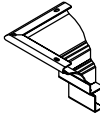


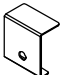
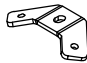
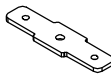
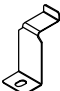



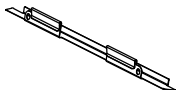
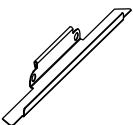
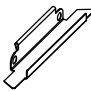
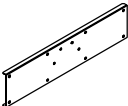

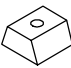
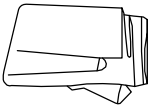
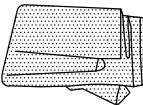


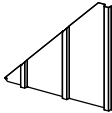
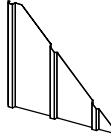
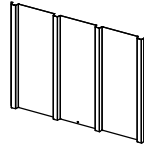
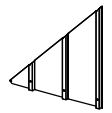
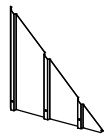
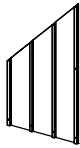

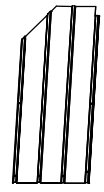



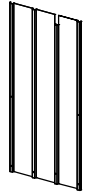
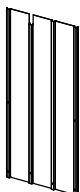








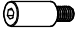


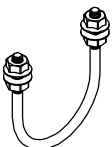


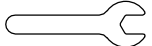

D1 2x



D2 2x

		
D3 2x	D4 2x	D23 2x
		
D24 2x	D25 2x	D26 2x
		
F1 8x	F5 4x	F13 4x
		
F14 2x	F17 2x	G1 2x
		
G15 2x	G16 2x	G17 2x
		
I1 2x	I15 2x	I16 2x
		
I17 2x	V1 2x	V10a 2x
		
V10b 2x	V10c 2x	

 L8b 1x	 L8 2x	 M8 2x	
 H 4x	 H1 4x	 H3 2x	 H4 2x
 J 4x	 J1 2x	 K 4x	 K1 6x
 N 8x	 N1 4x	 W 4x	 W1 10x
 V 6x	 W3 8x	 W4 12x	 W5 4x
 Z 64x	 Z1 8x	 Z2 8x	 P 6x
 U 160x	 Y 120x	 T 4x + 2x	 T1 4x + 2x

 S1 4x	 S2 4x	 S3 10x	 R1 4x
 R2 4x	 R3 4x	 R4 4x	 R5 4x
 R6 4x	 R8 2x	 R9 2x	 R11 2x
 R12 2x	 R13 2x		
 M6x15 1 420x	 M6x23 2 88x	 M6x25 3 6x	 ST 4.8x12 4 28x
 5 4x	 M6x42 6 10x	 M6x47 7 16x	 8 16x
 M6x10 9 16x	 10 20x	 11 1x	 4mm 12 2x
 6mm 13 1x	 14 1x	 M5x15 15 48x	

<1>

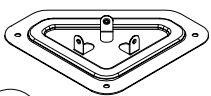
A 4x



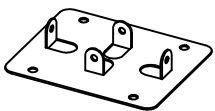
A3 2x



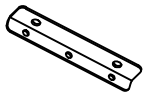
J 4x



J1 2x



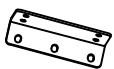
W3 8x



W4 12x



W5 4x



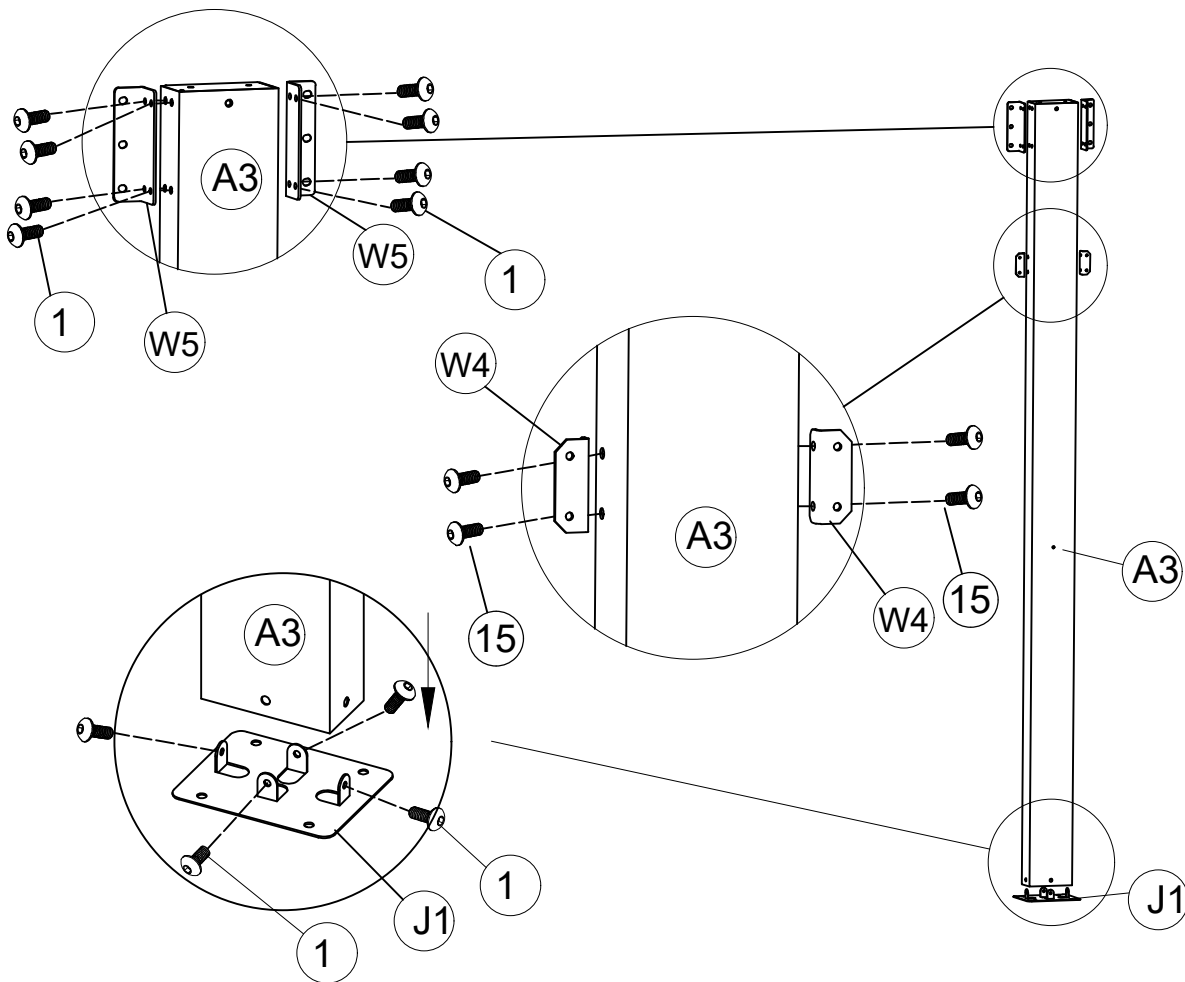
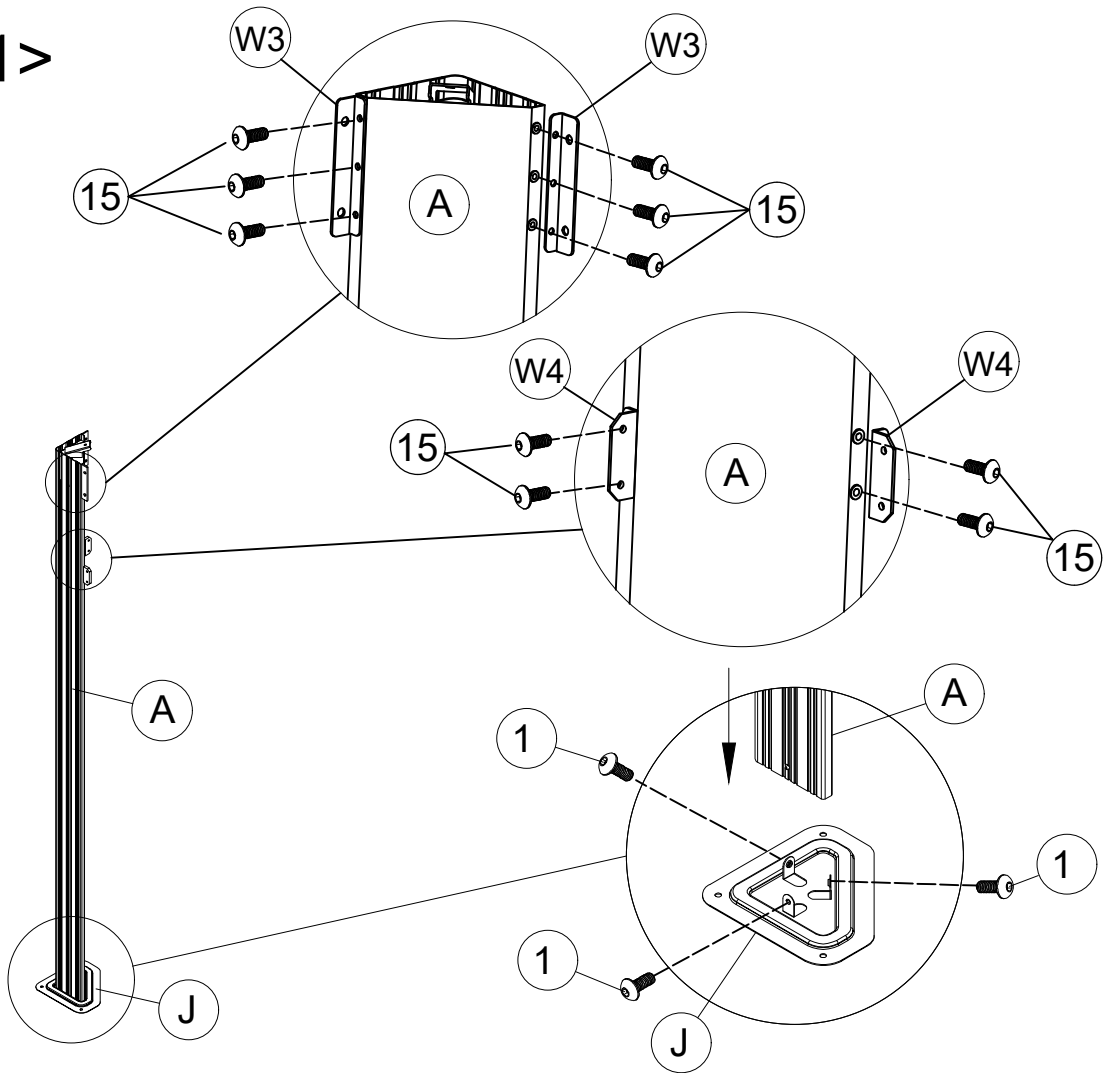
1 36x
M6x15



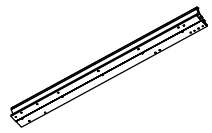
15 48x
M5x15



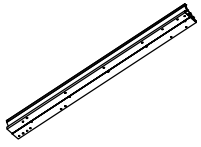
6



<2>



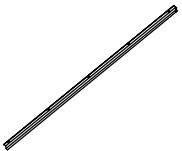
B1 2x



B2 2x



C1 2x



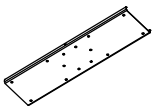
C2 2x



D1 2x



D2 2x



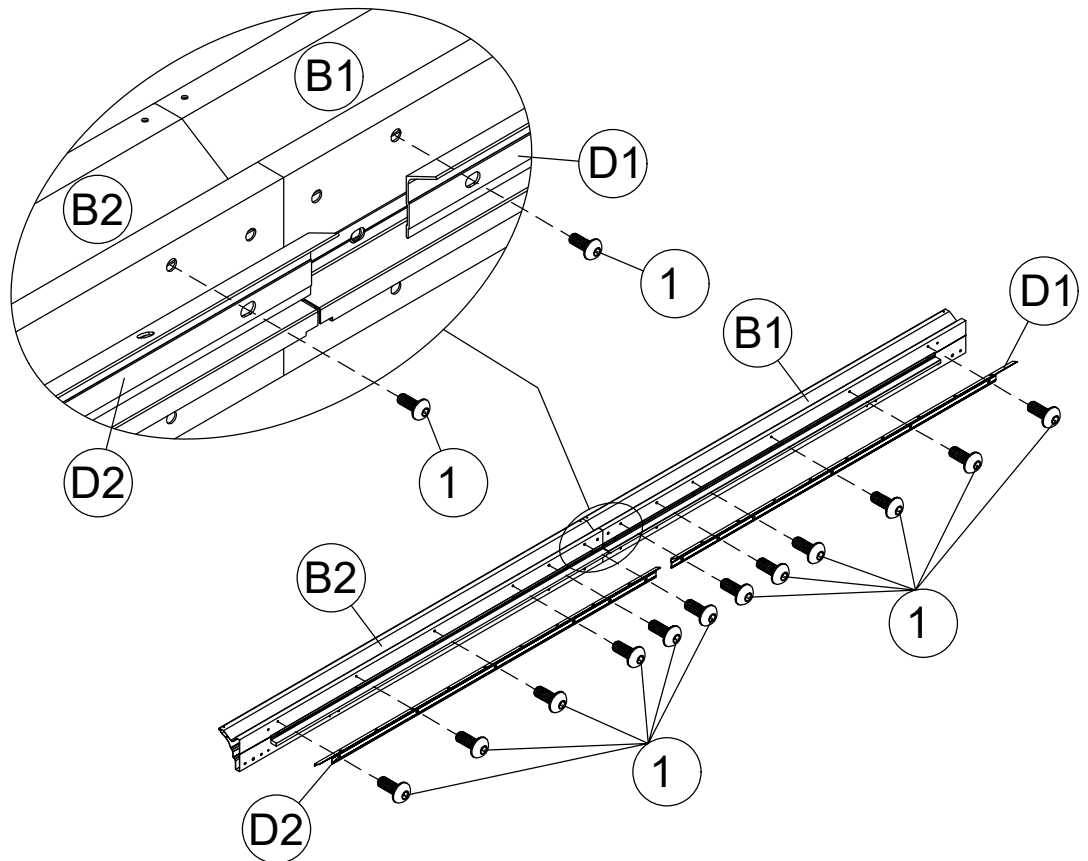
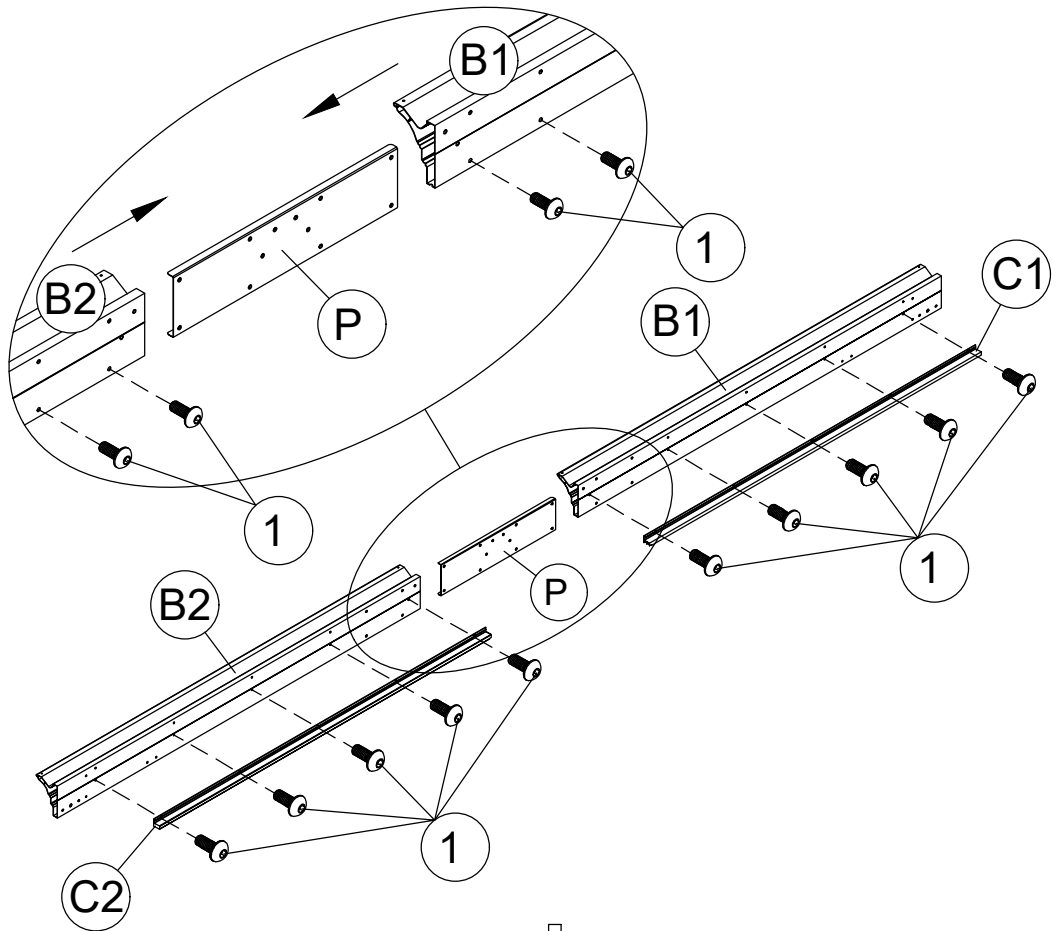
P 2x



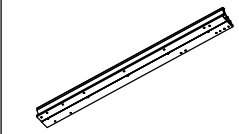
M6x15

1 52x

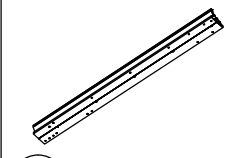
7



<3>



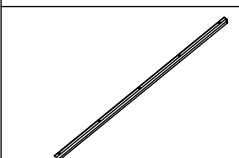
B3 2x



B4 2x



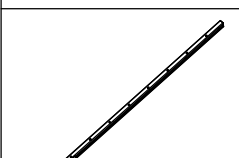
C3 2x



C4 2x



D3 2x

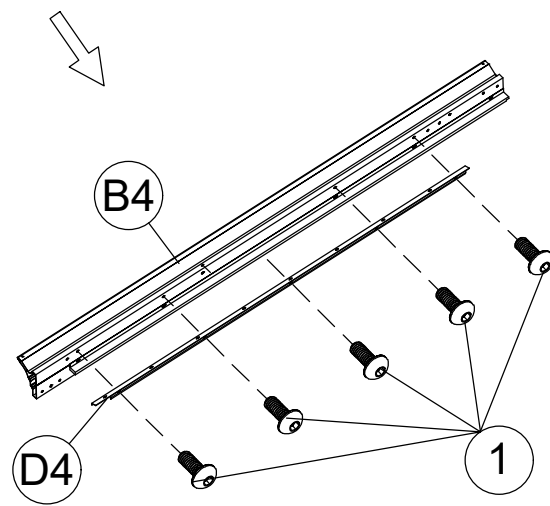
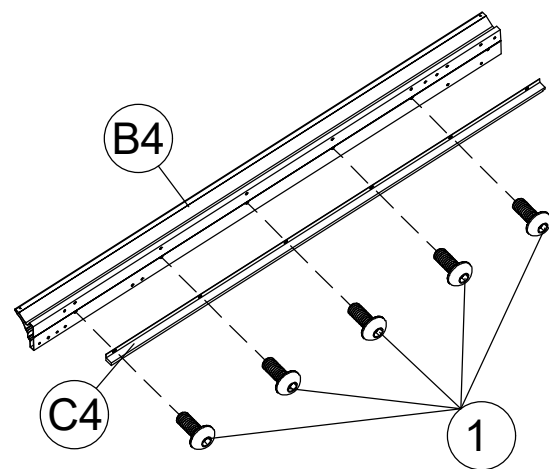
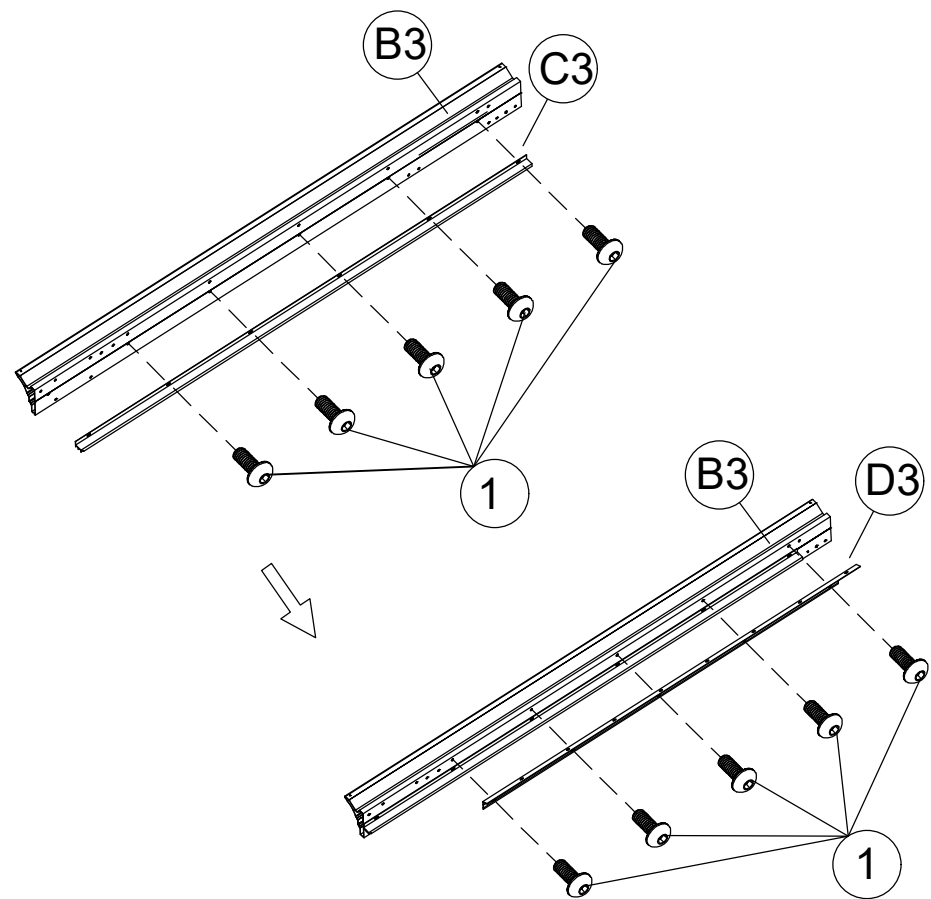


D4 2x

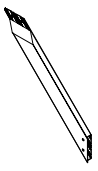


M6x15

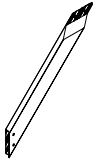
1 40x



<4>



H 4x



H1 4x

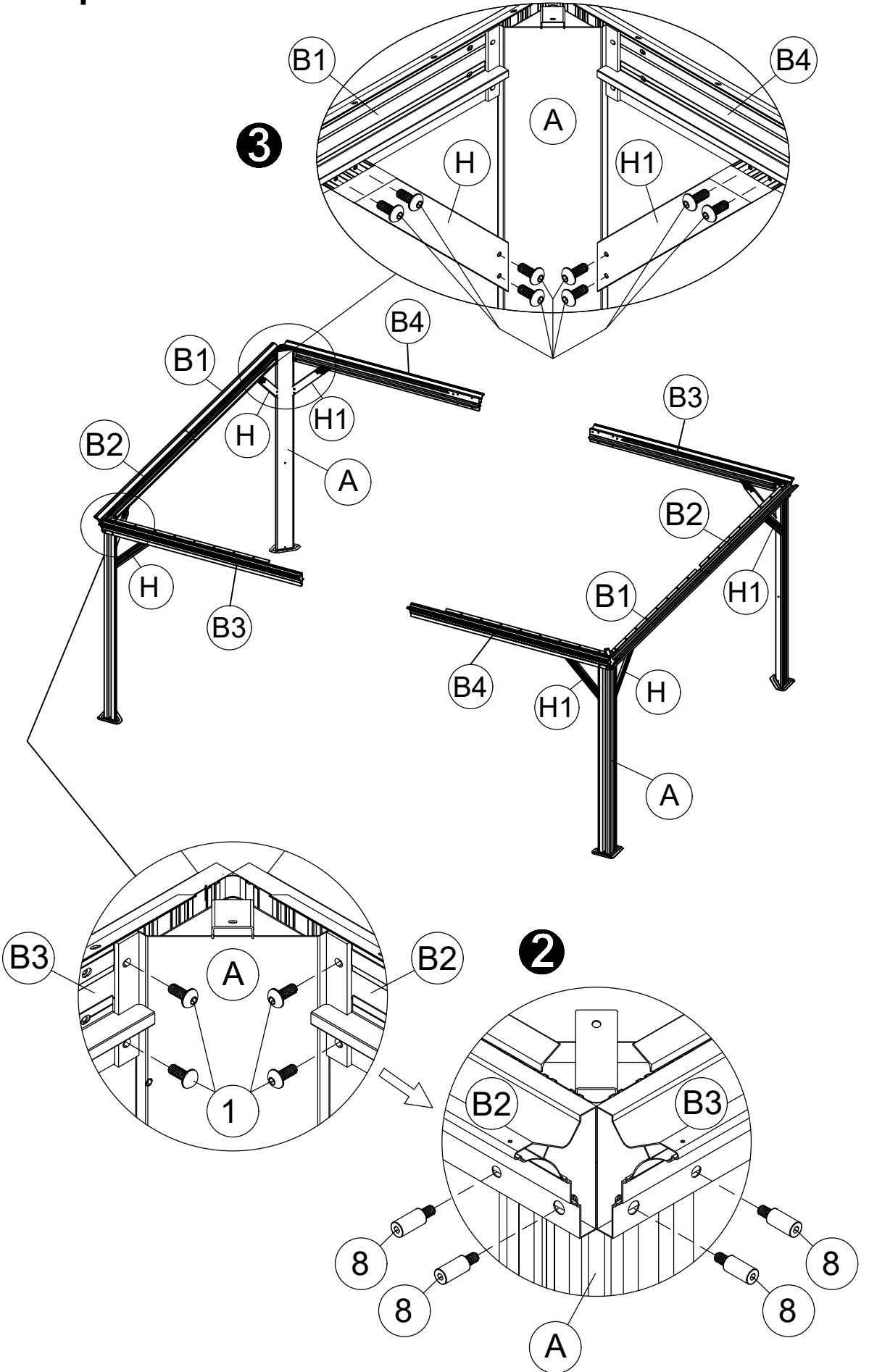


M6x15

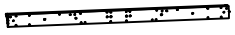
1 48x



8 16x



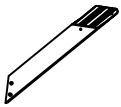
<5>



B17 2x



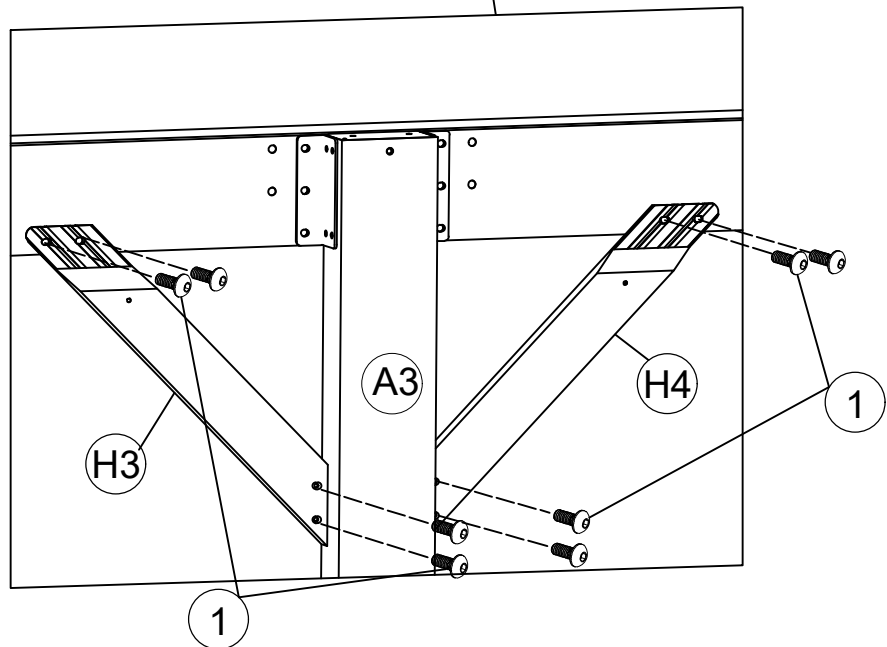
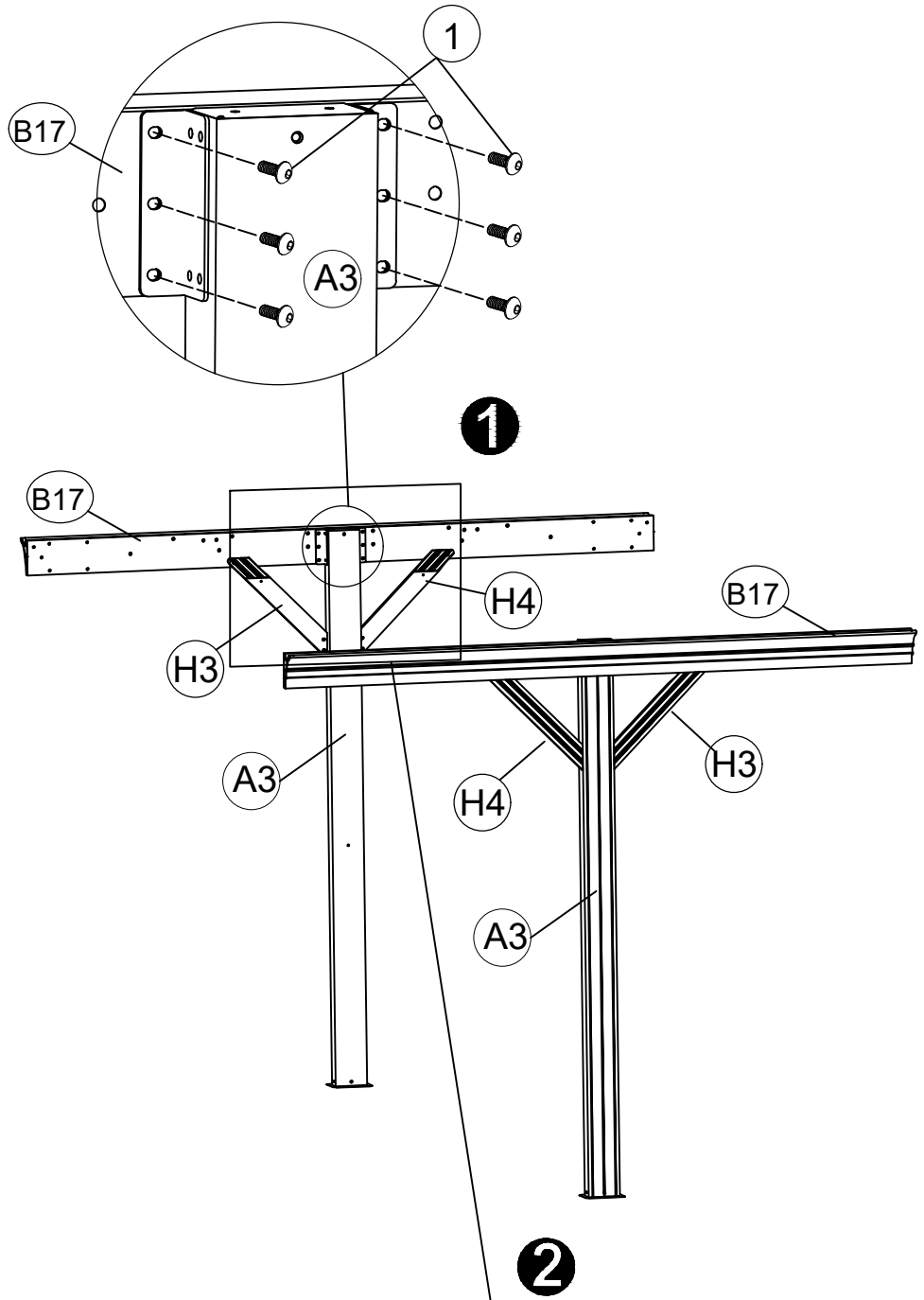
H3 2x



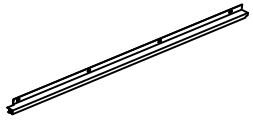
H4 2x



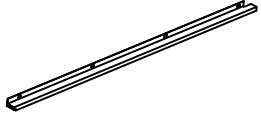
1 28x M6x15



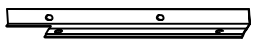
<6>



C7 2x



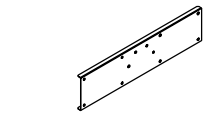
C8 2x



D25 2x



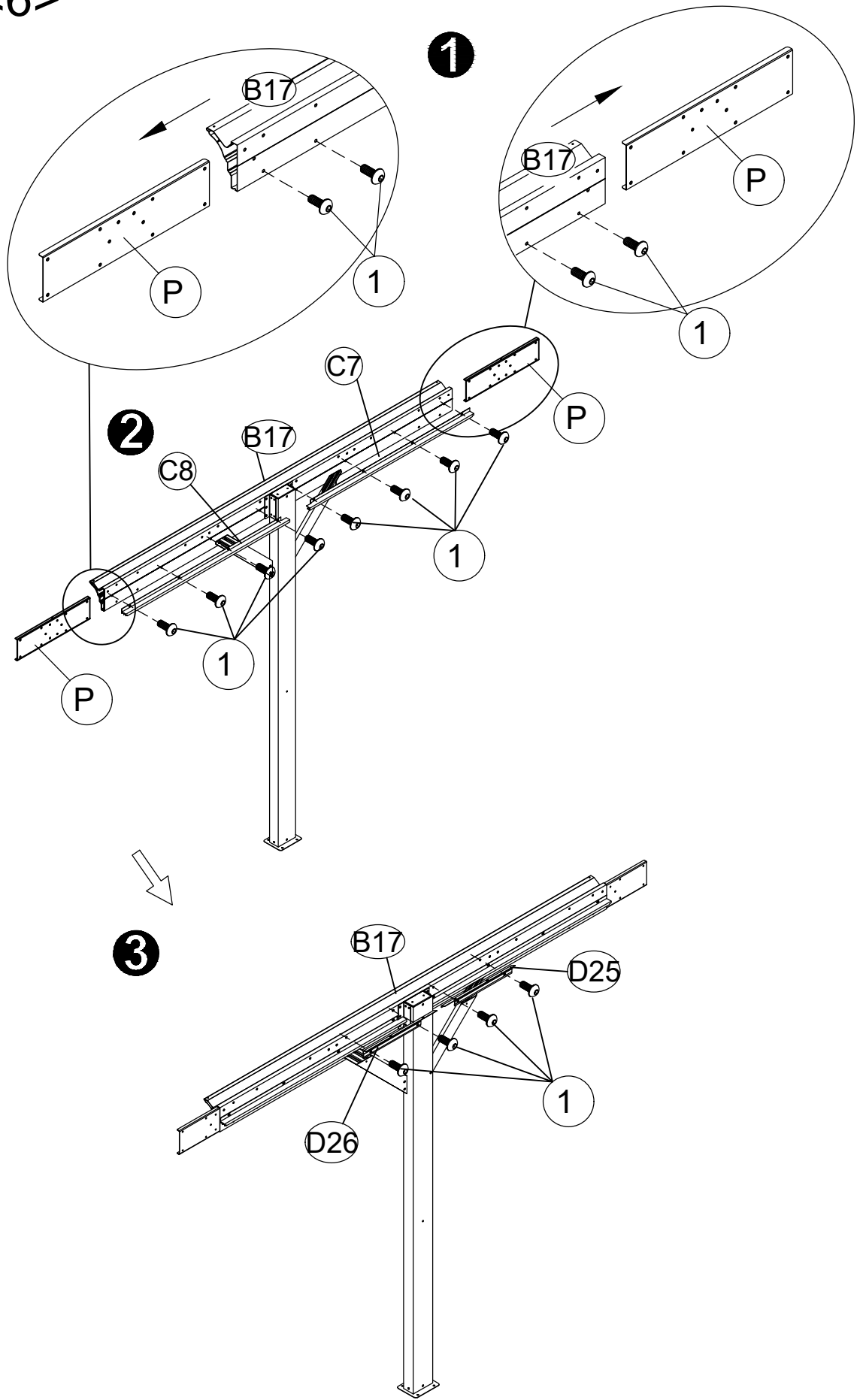
D26 2x



P 4x

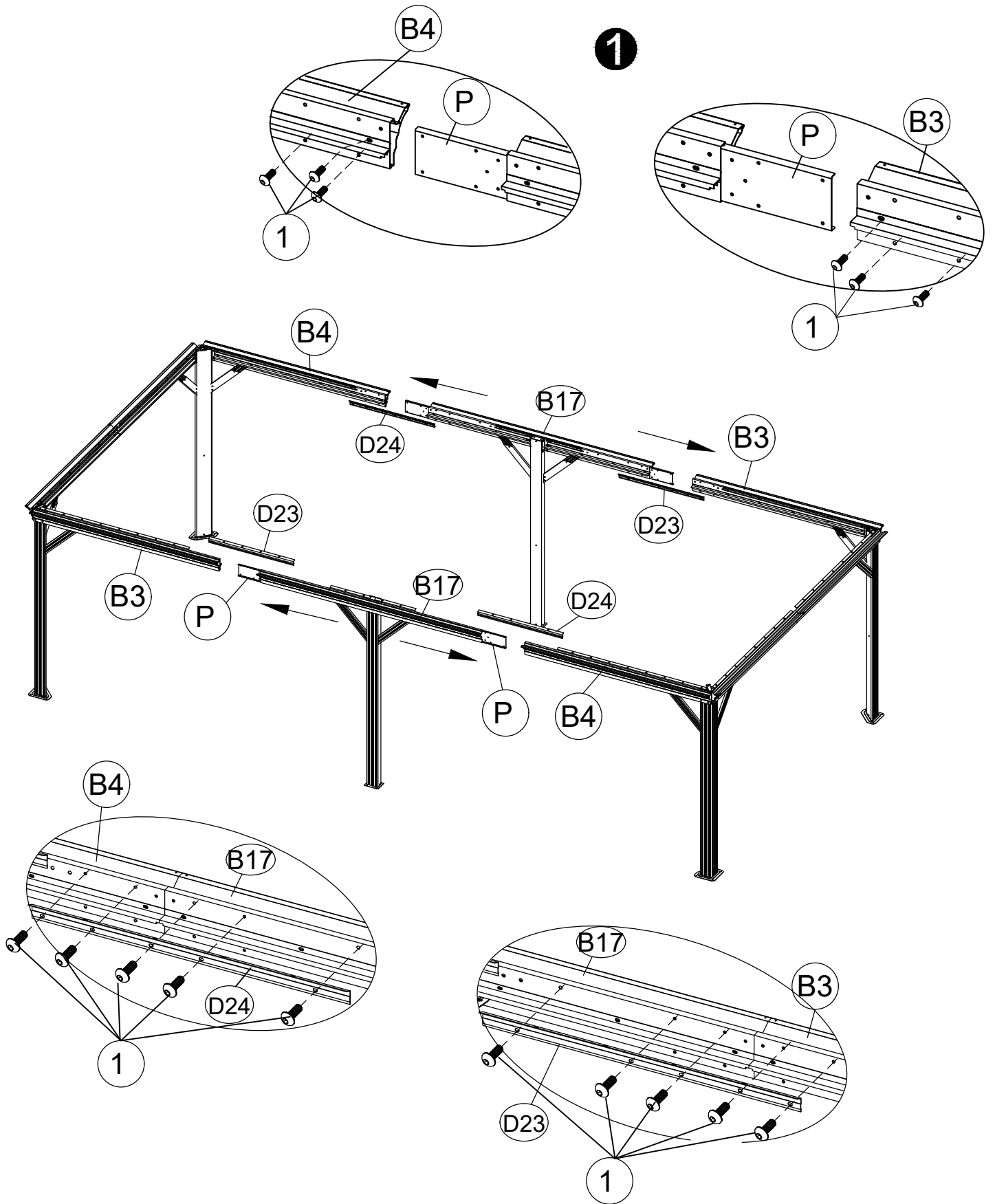


1 32x M6x15



<7>

1



12

D23 2x

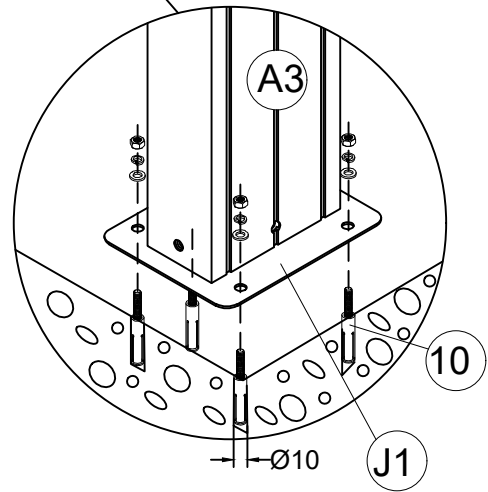
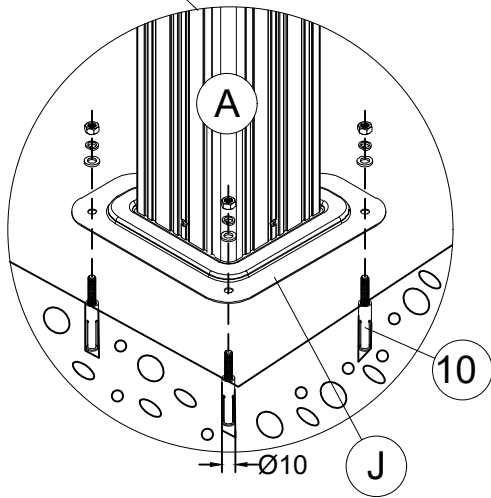
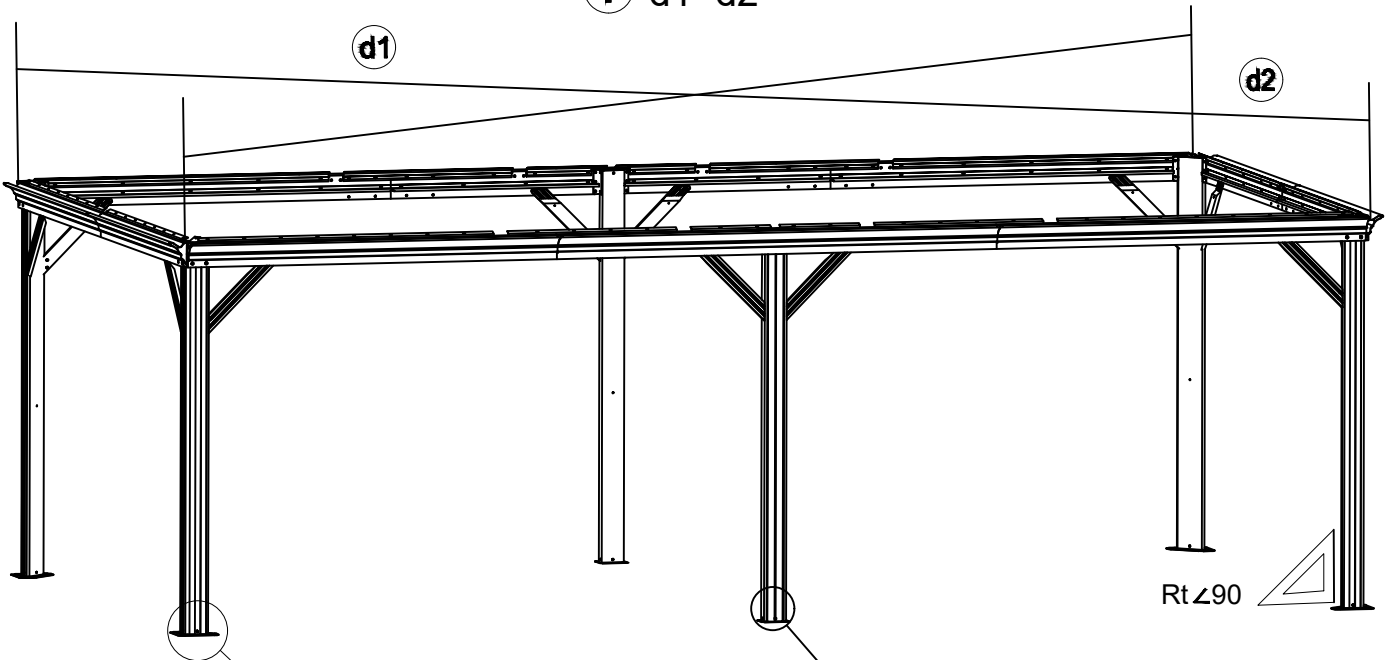
D24 2x

1 32x

M6x15

<8>

i d1=d2

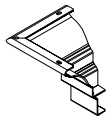


Tips: Please measure to make sure the length of $d1$ is equal to $d2$ before moving to next step to ensure a square frame and best results. Otherwise, please loosen the "H" or "H1" screws and adjust them. Keep the beam at right angles to the post, the post at right angles to the ground, and keep the beam horizontal.



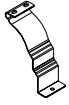
10 20x

13



<9>

(K) 4x



(K1) 6x



(U) 160x



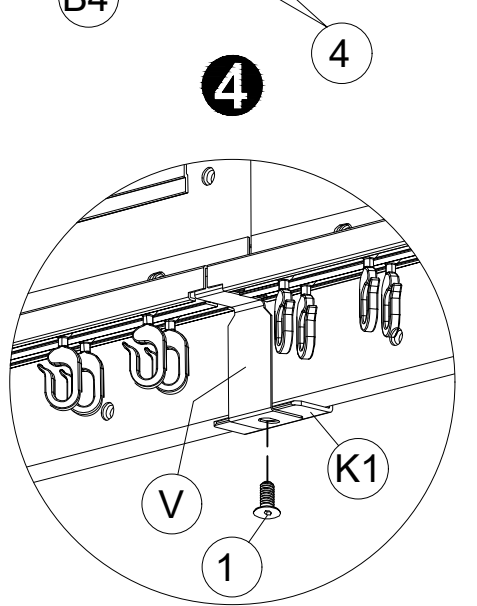
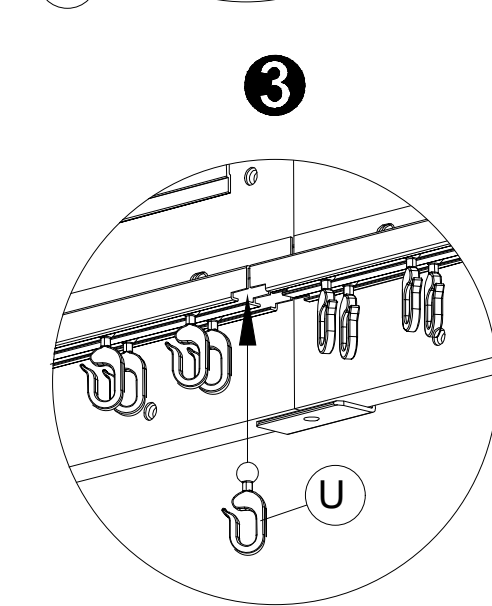
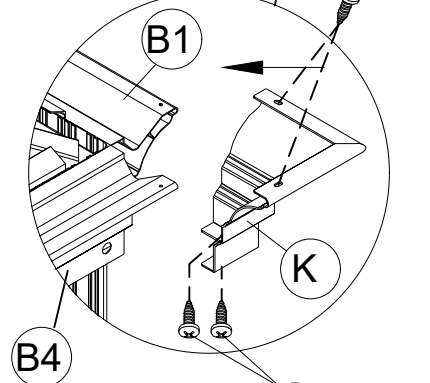
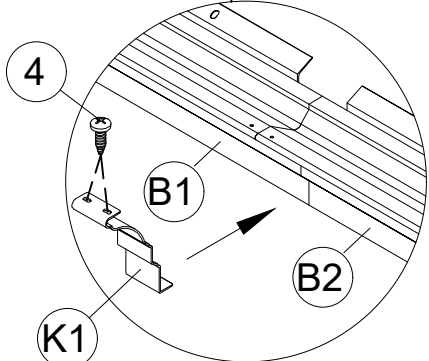
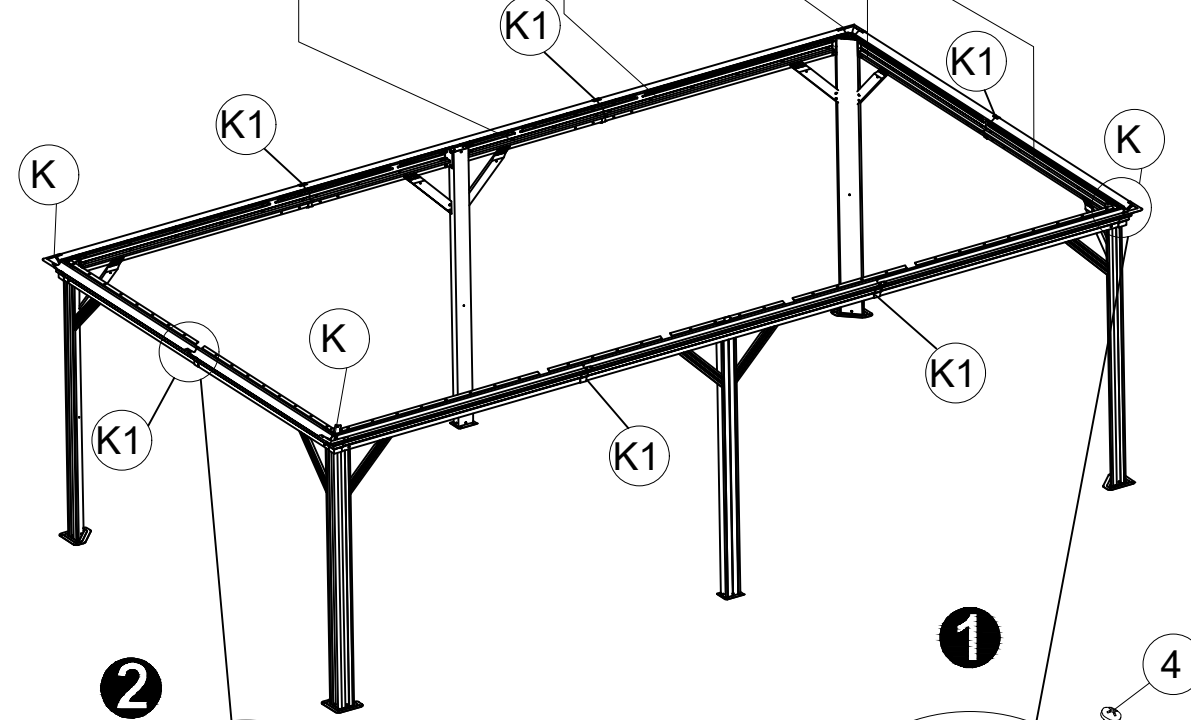
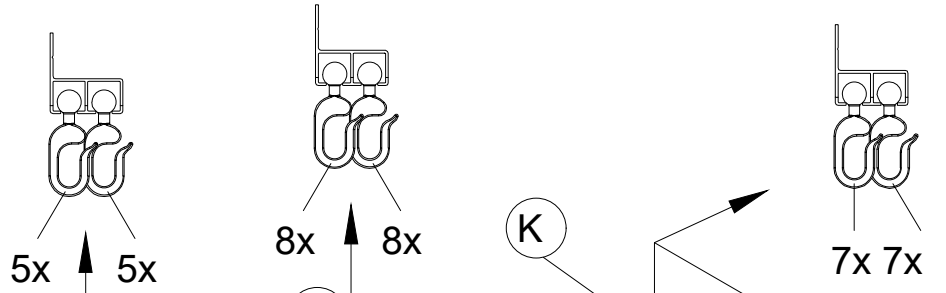
(V) 6x



(1) 6x M6x15



(4) 28x ST4.8x12



<10>



F17 2x



L8 2x



L8b 1x



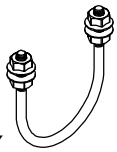
M6x15

1 12x

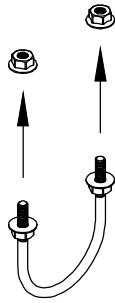
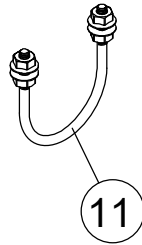


M6x10

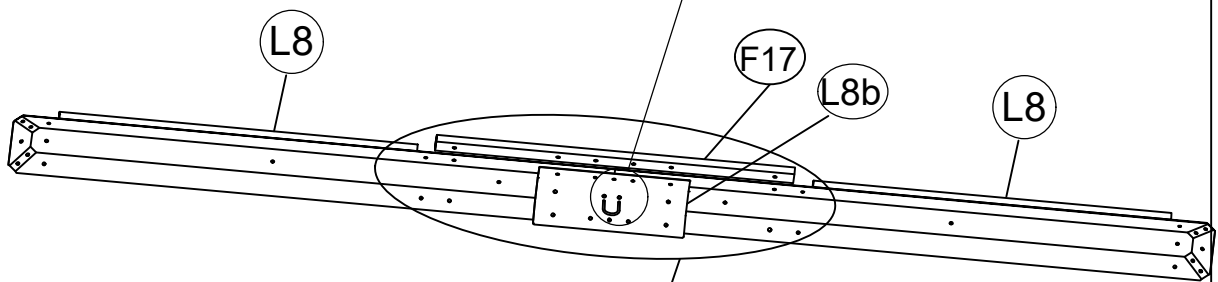
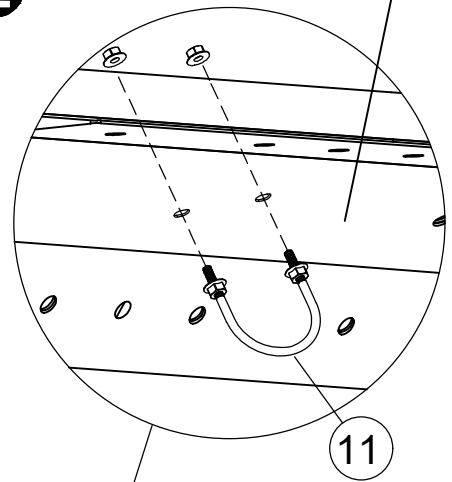
9 2x



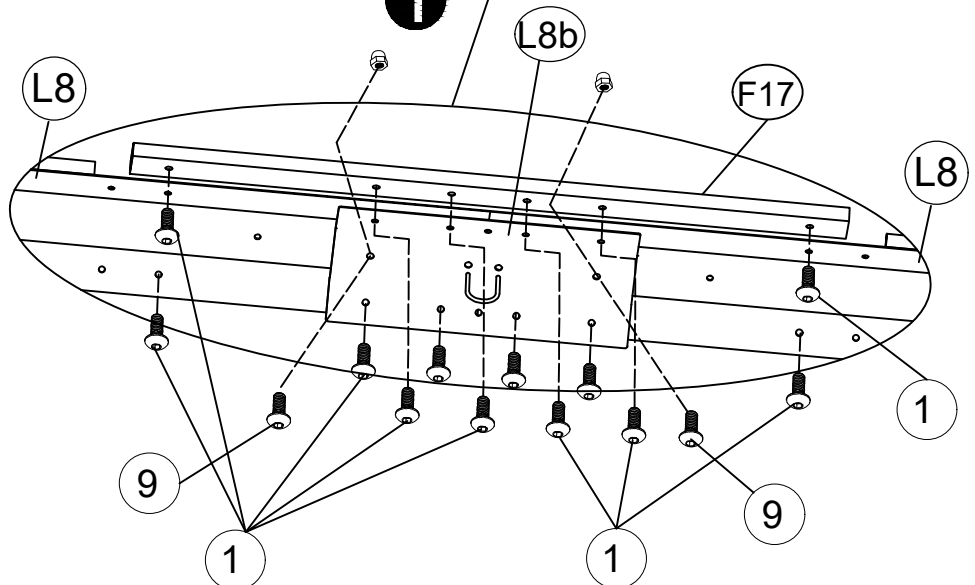
11 1x



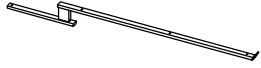
2



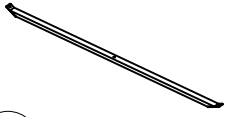
1



<11>



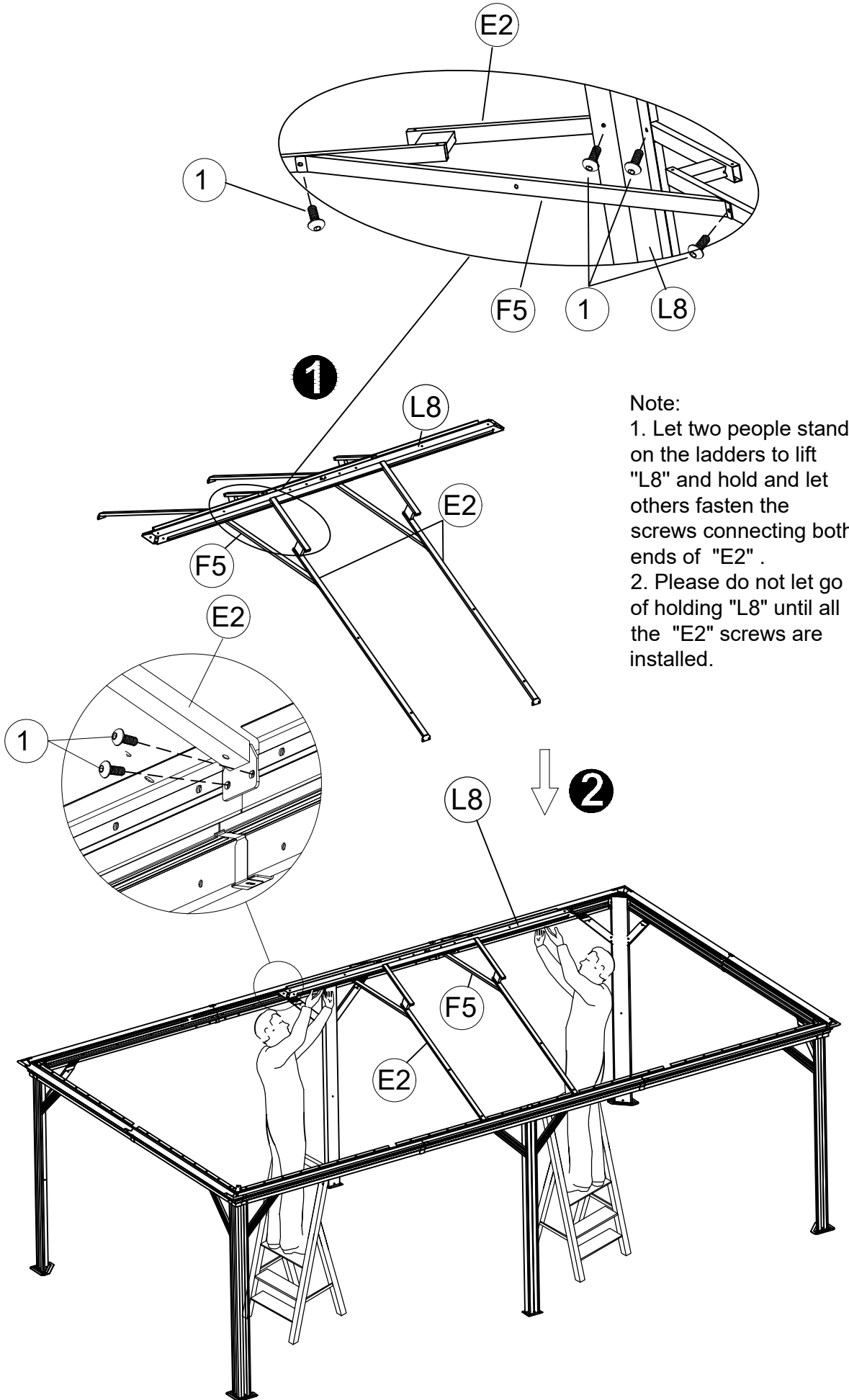
E2 4x



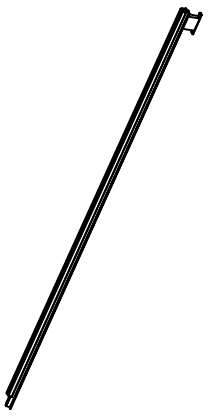
F5 2x



M6x15
1 16x



<12>



E 4x

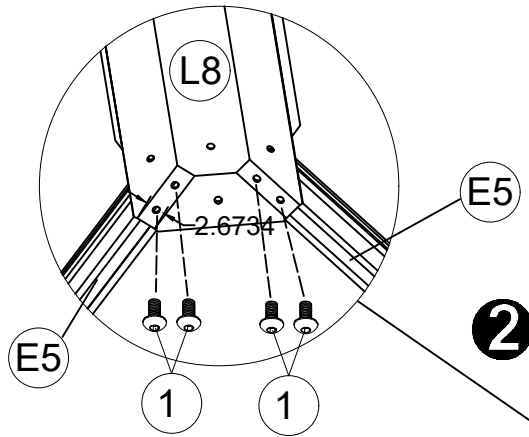


E5 4x

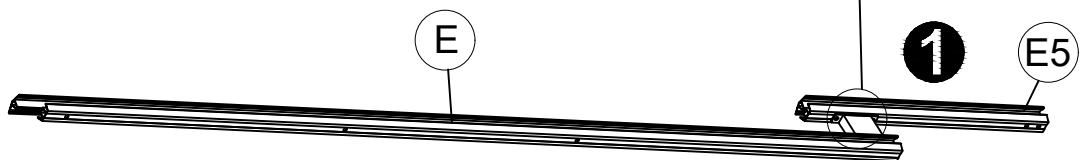
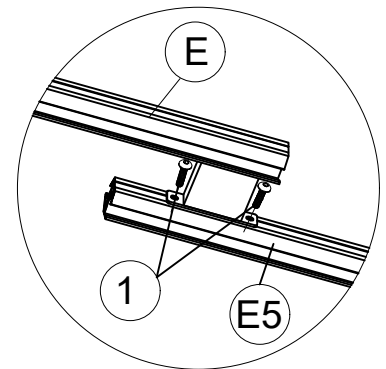
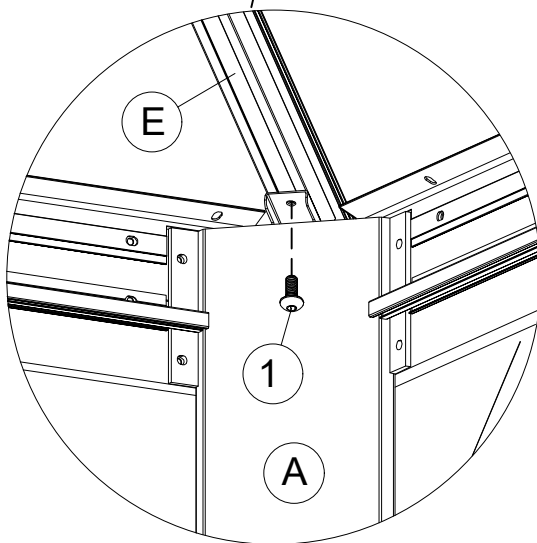
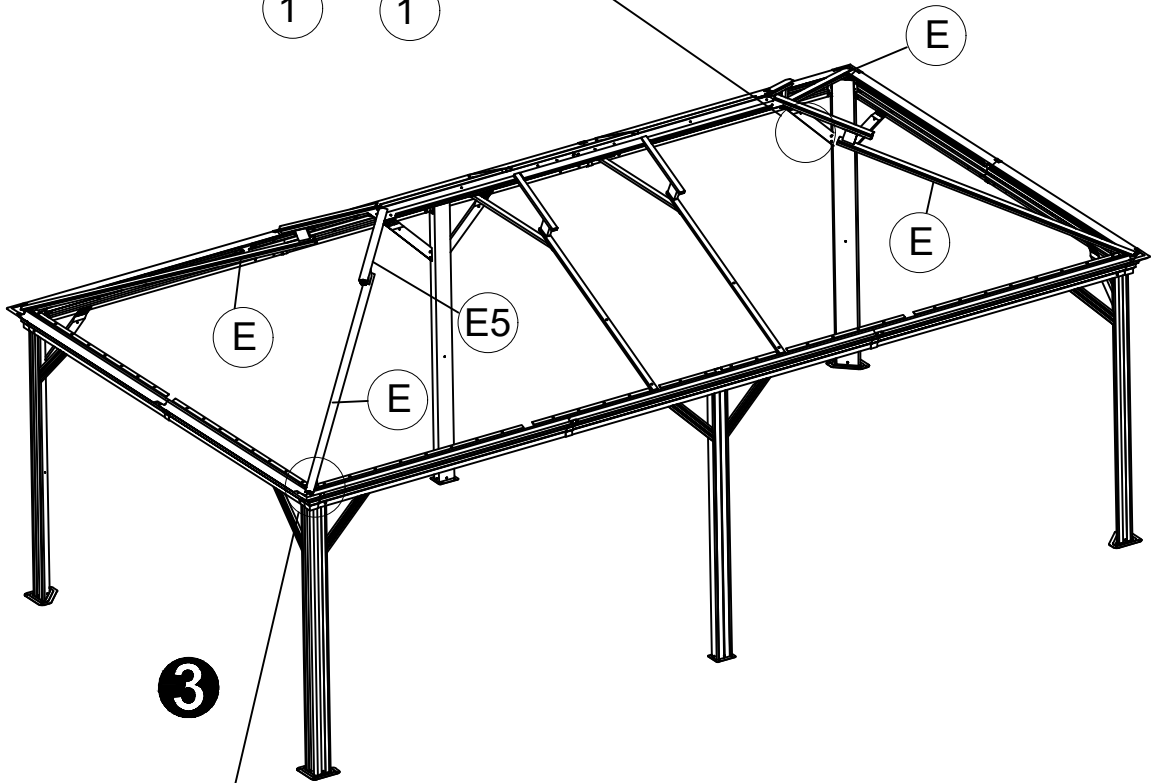


M6x15

1 20x



2



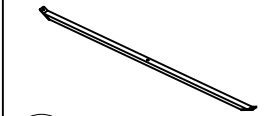
<13>



E2 4x



E1 2x



F5 2x

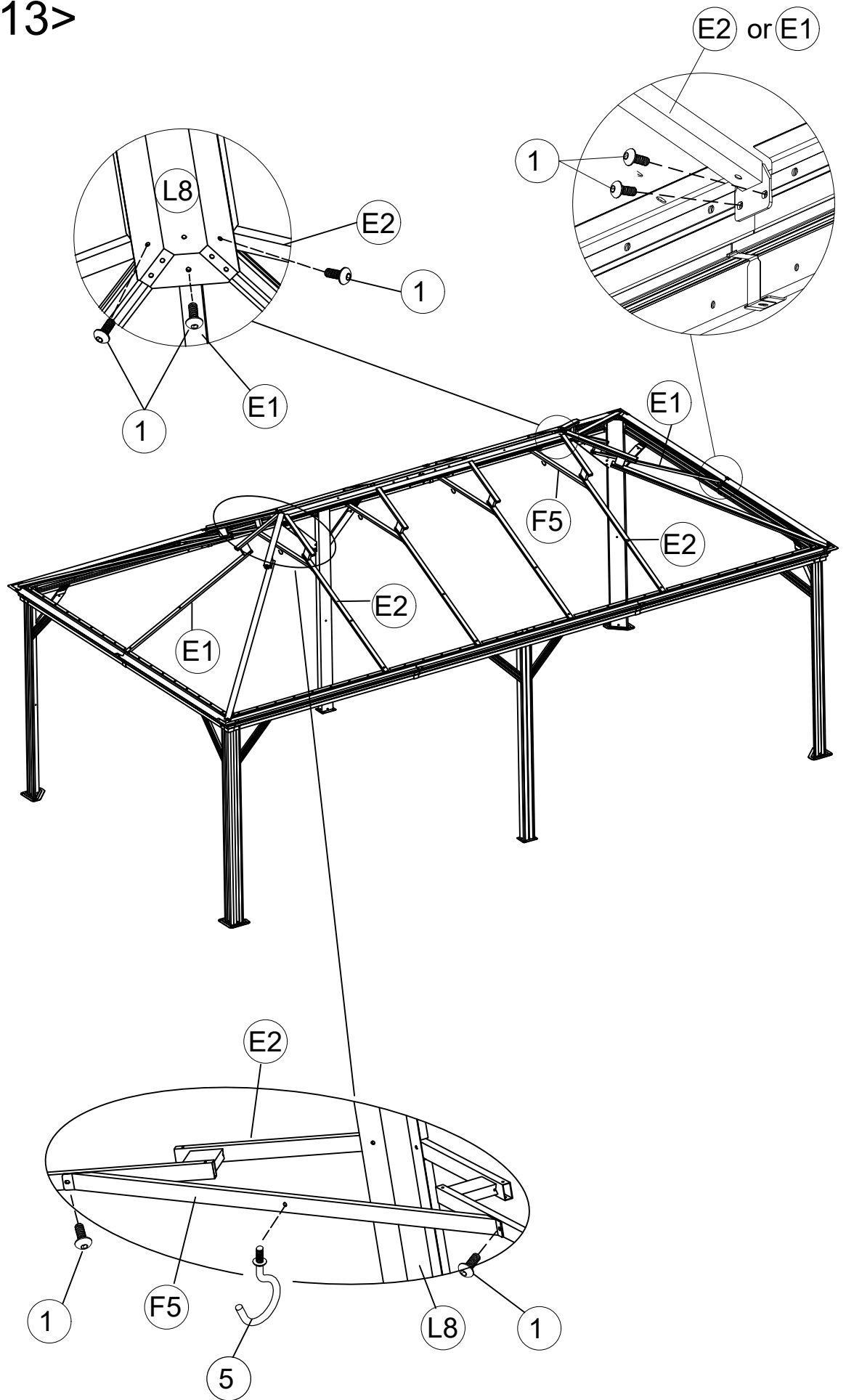


M6x15

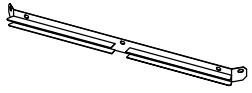
1 22x



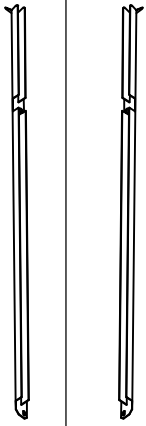
5 4x



<14>

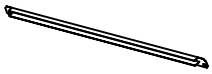


I1 2x



I15 2x

I16 2x



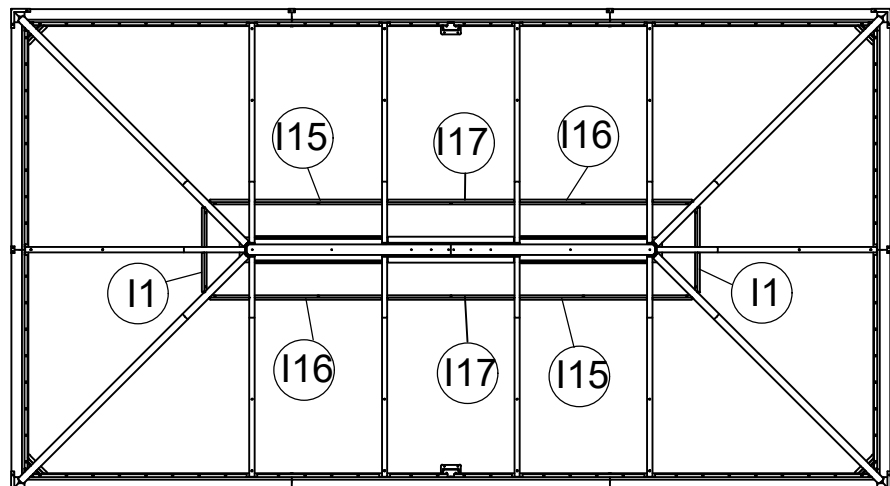
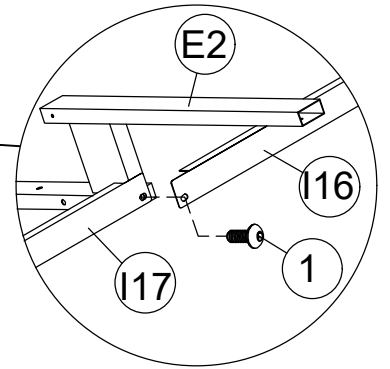
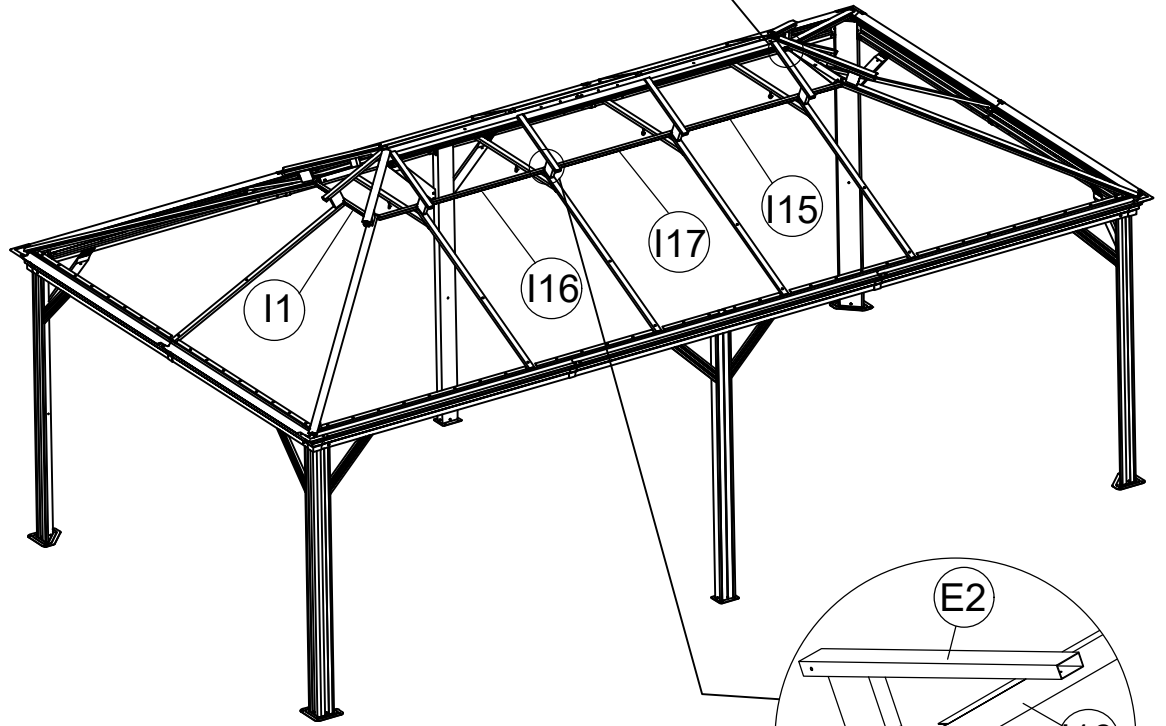
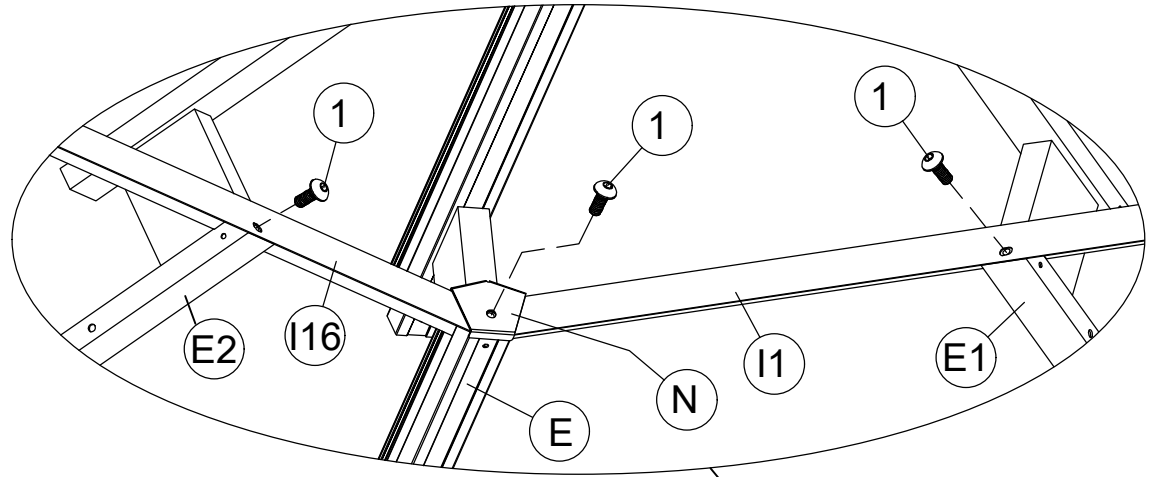
I17 2x



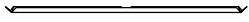
N 4x



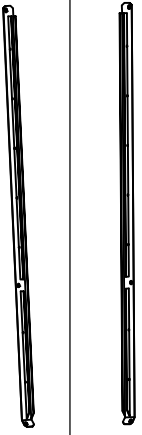
1 14x
M6x15



<15>



G1 2x



G15 2x

G16 2x



G17 2x



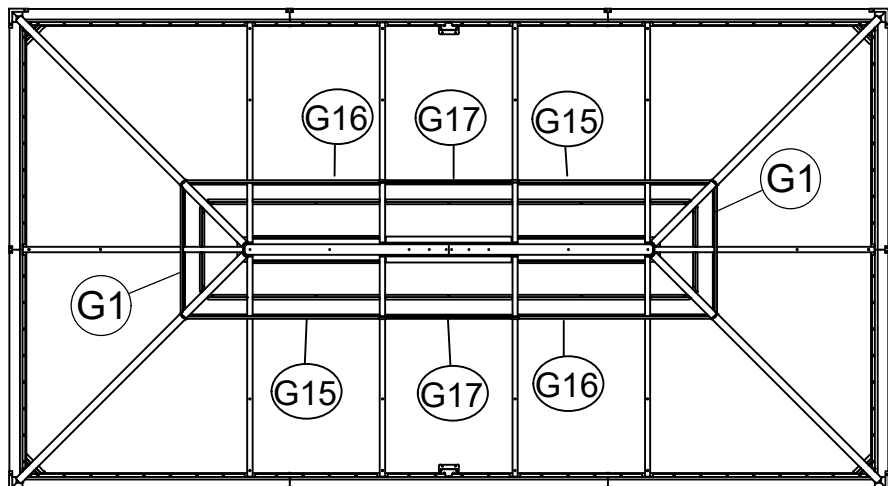
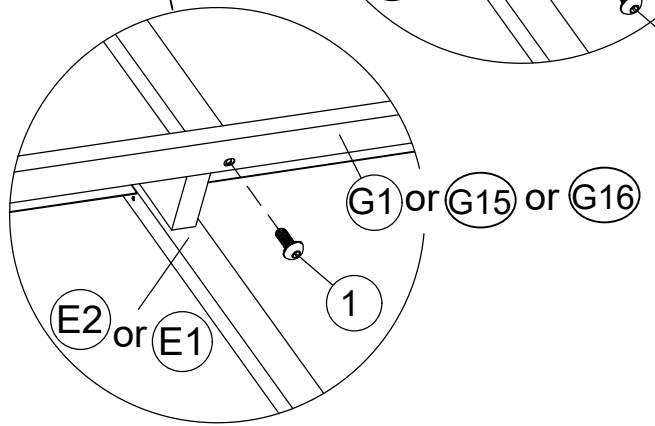
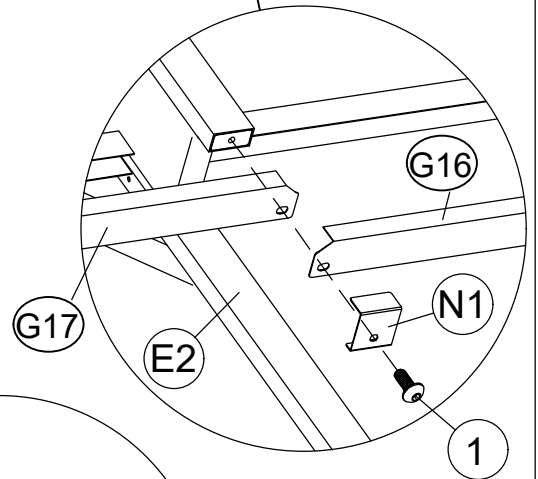
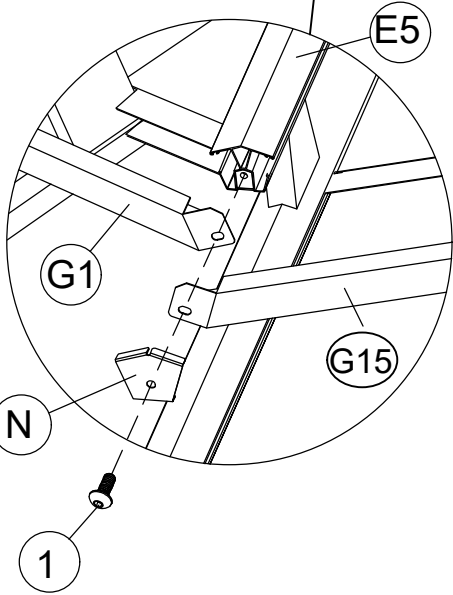
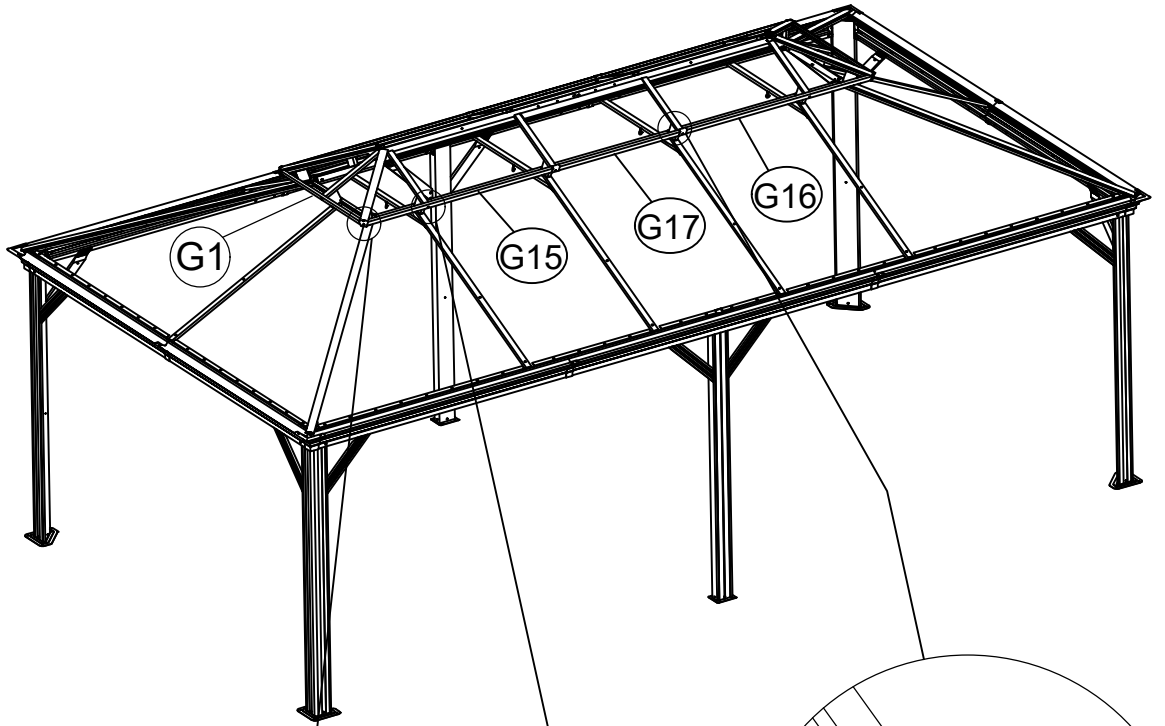
N 4x



N1 4x

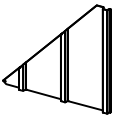


1 14x M6x15

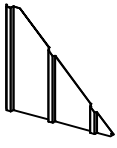


<16>

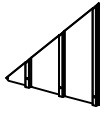
S1 2x



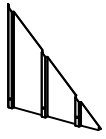
S2 2x



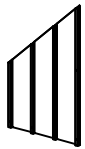
R1 2x



R2 2x



R3 2x



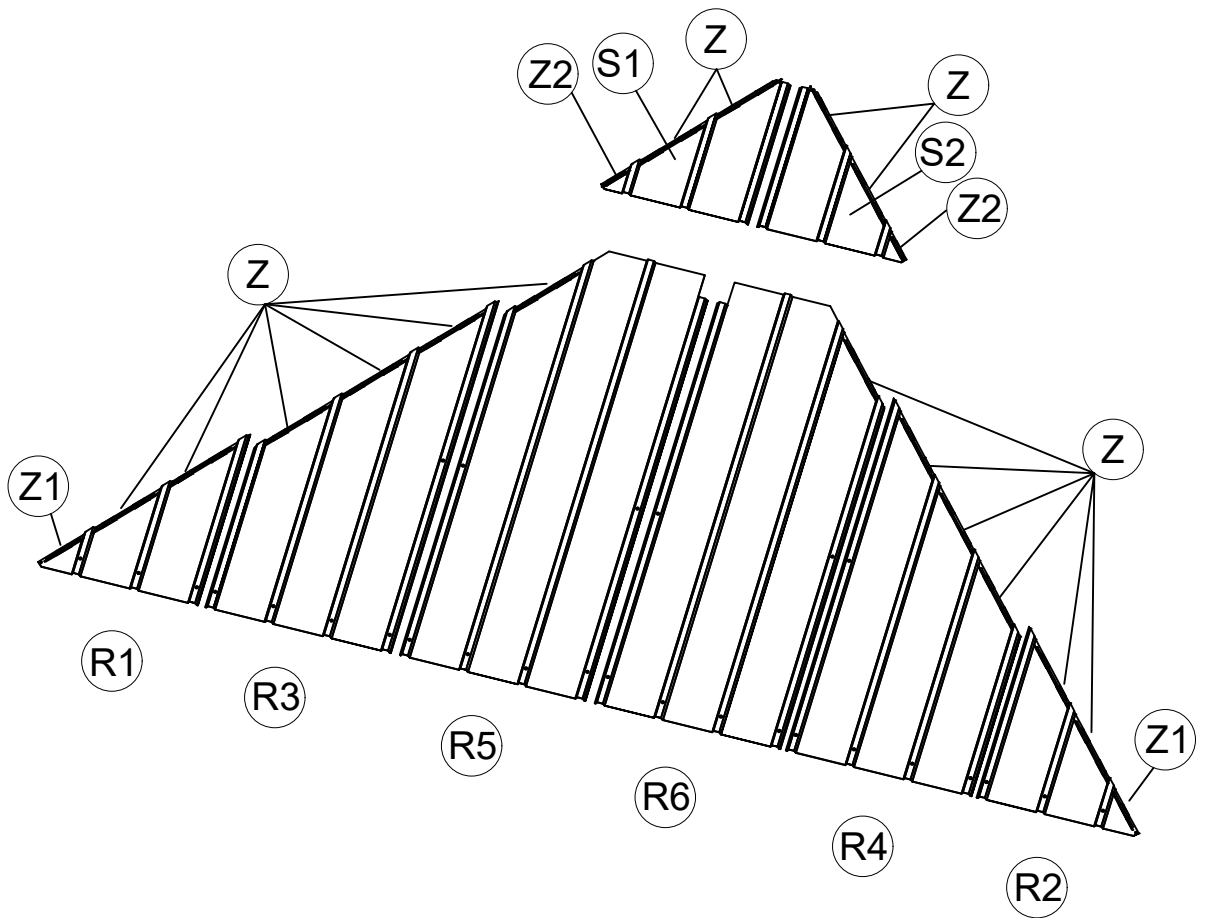
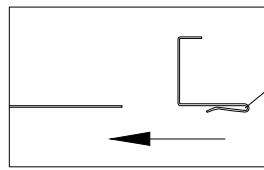
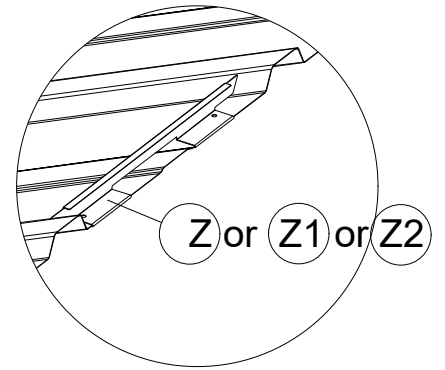
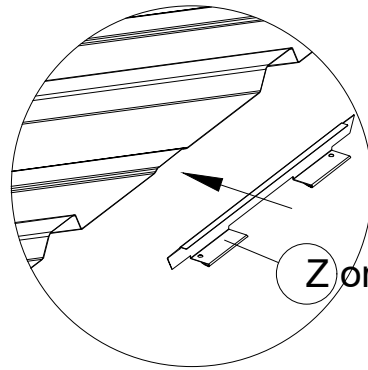
R4 2x



R5 2x

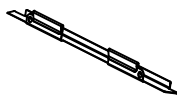


R6 2x

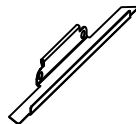


21

Z 32x



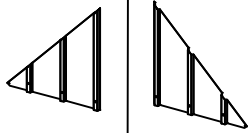
Z1 4x



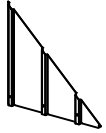
Z2 4x



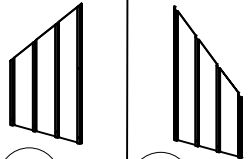
<17>



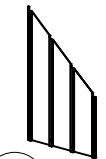
R1 2x



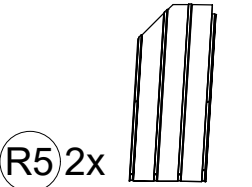
R2 2x



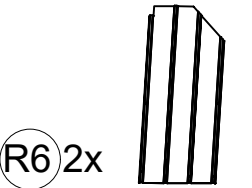
R3 2x



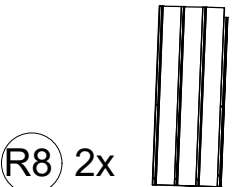
R4 2x



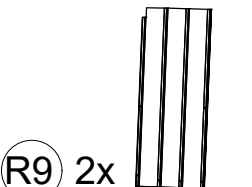
R5 2x



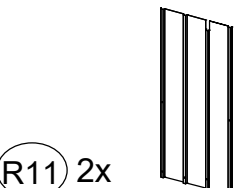
R6 2x



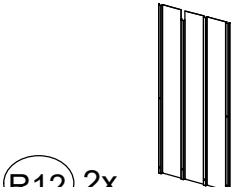
R8 2x



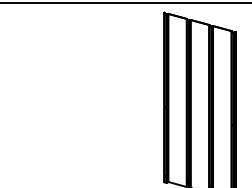
R9 2x



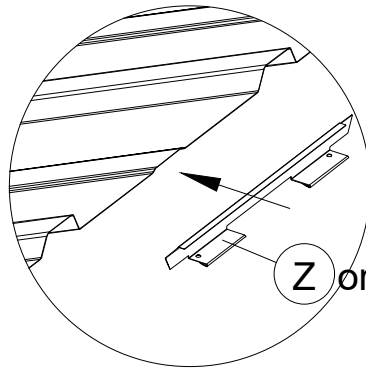
R11 2x



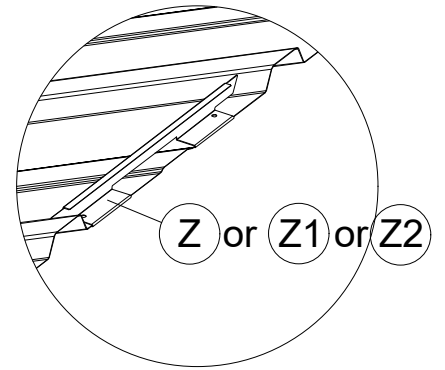
R12 2x



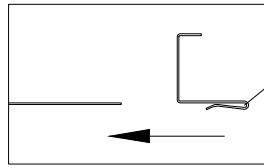
R13 2x



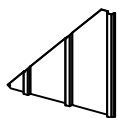
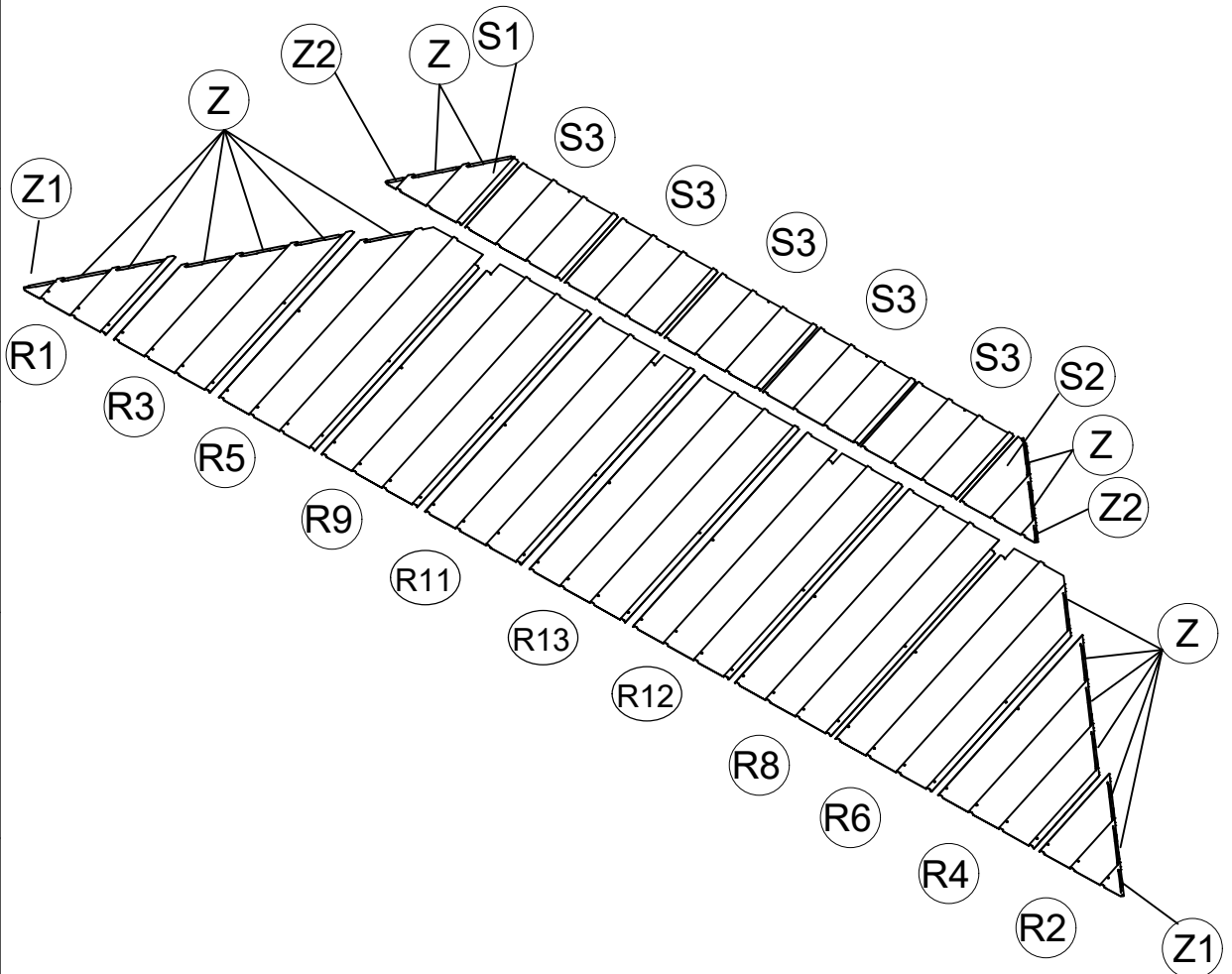
Z or Z1 or Z2



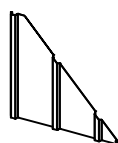
Z or Z1 or Z2



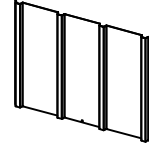
Z or Z1 or Z2



S1 2x



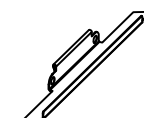
S2 2x



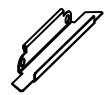
S3 10x



Z 32x

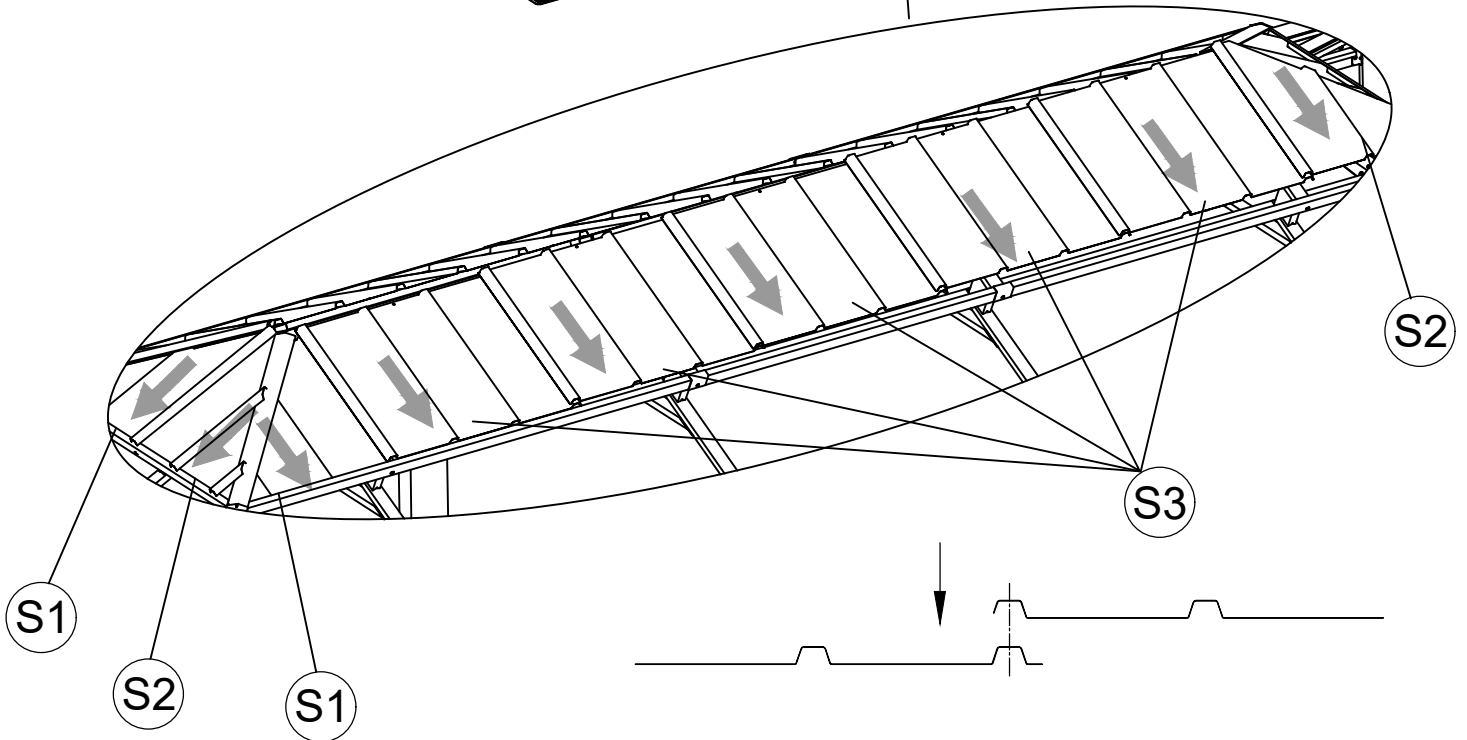
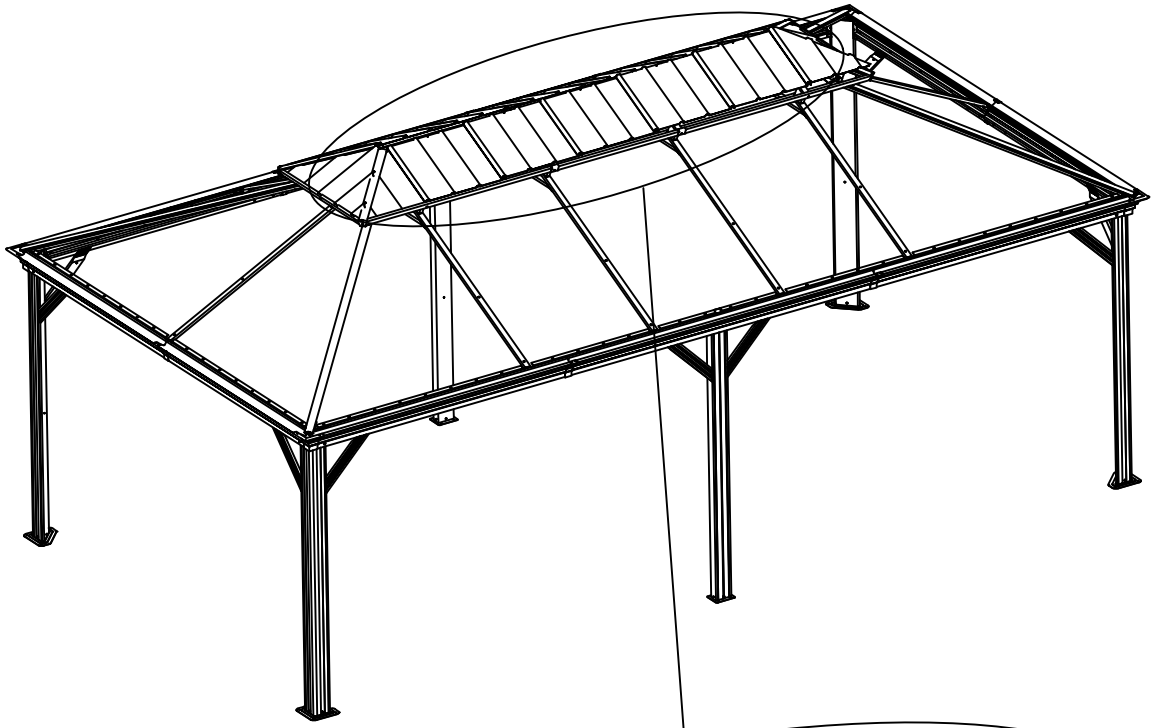


Z1 4x

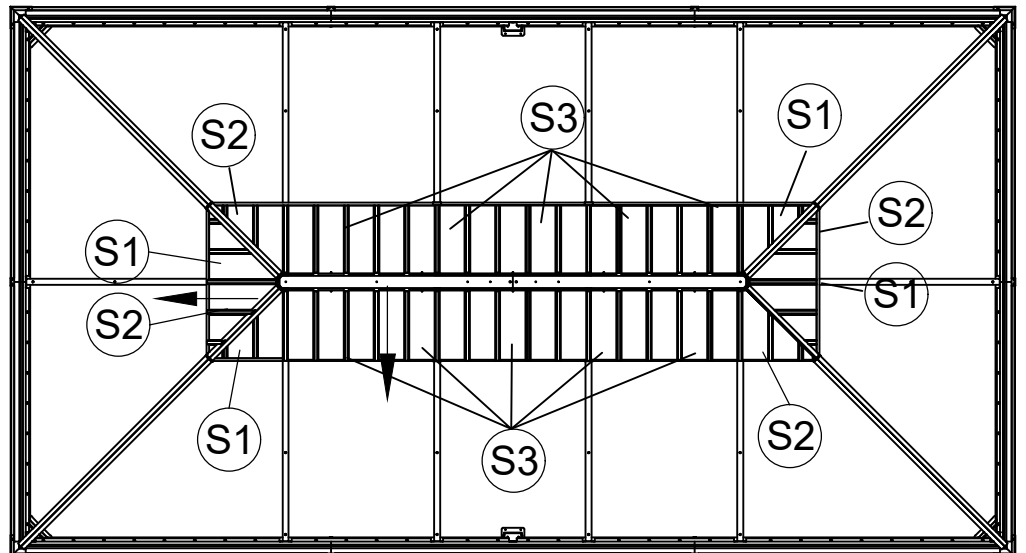


Z2 4x

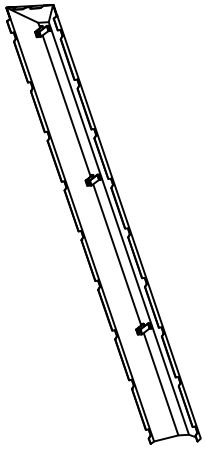
22



When installing the Roof plates (S2) onto short side, pls detach the right end of Roof Rib(G1) first. And then install the right end of Roof Rib (G1) again after S2 is installed.



<19>

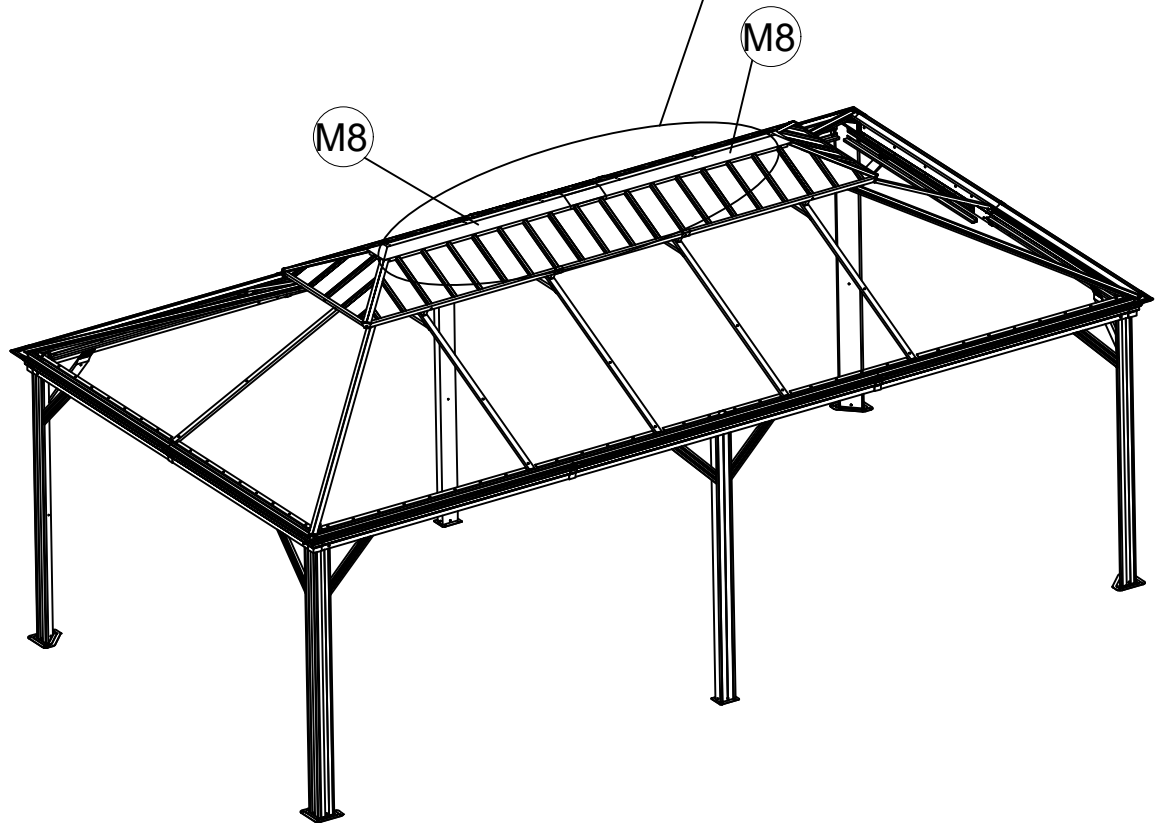
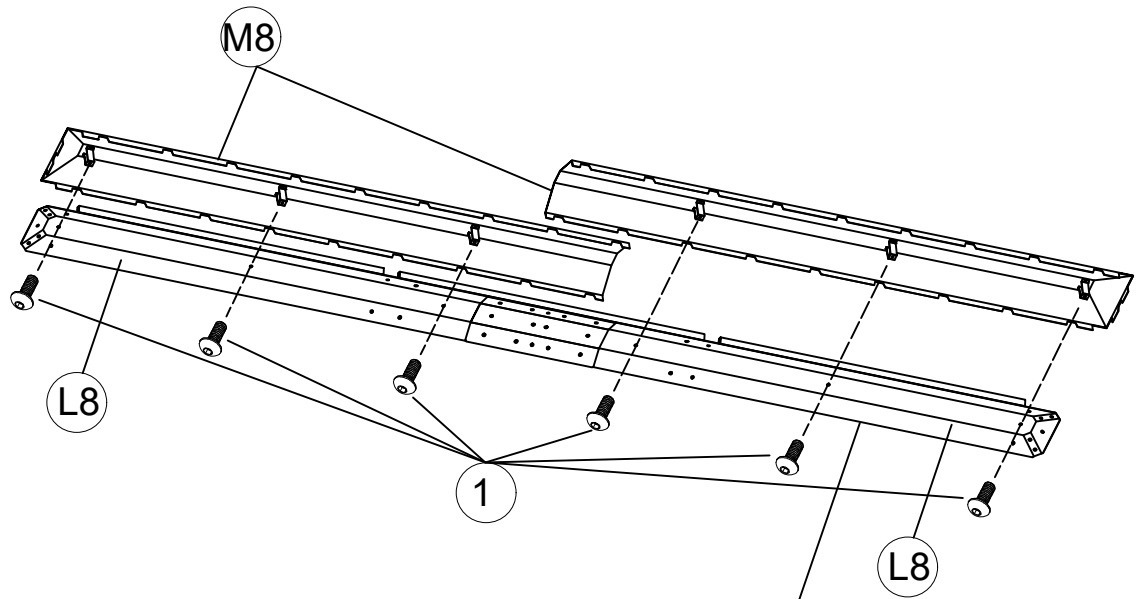


M8 2x

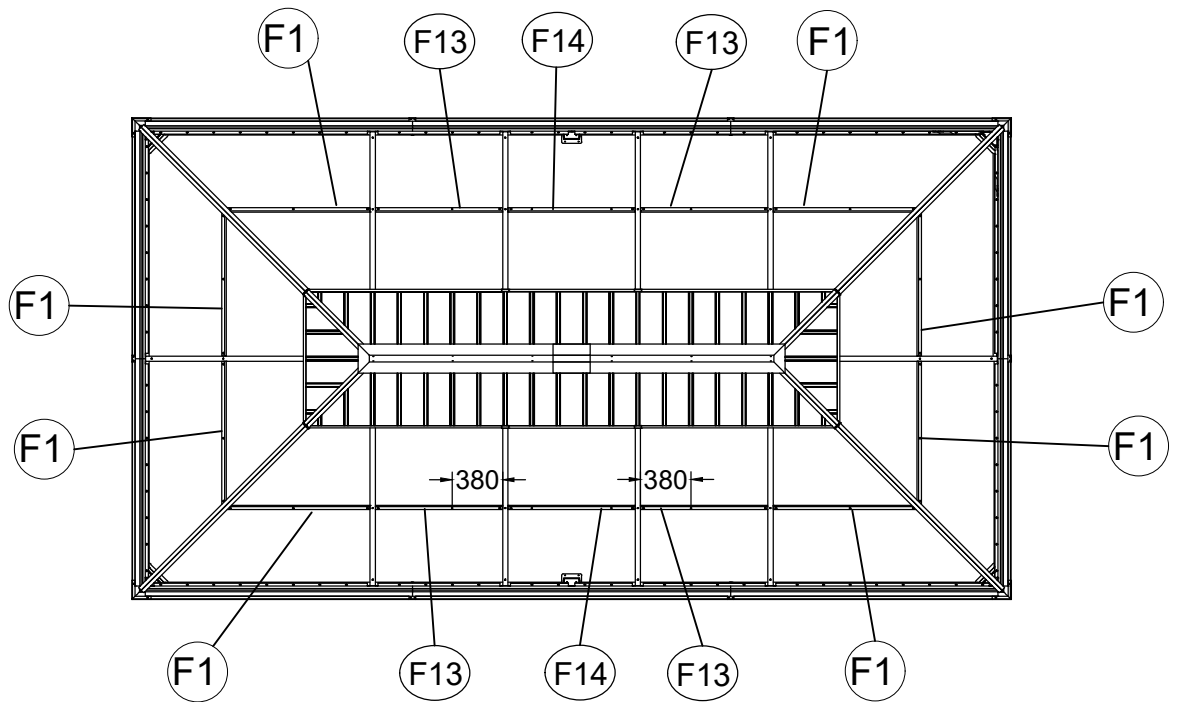
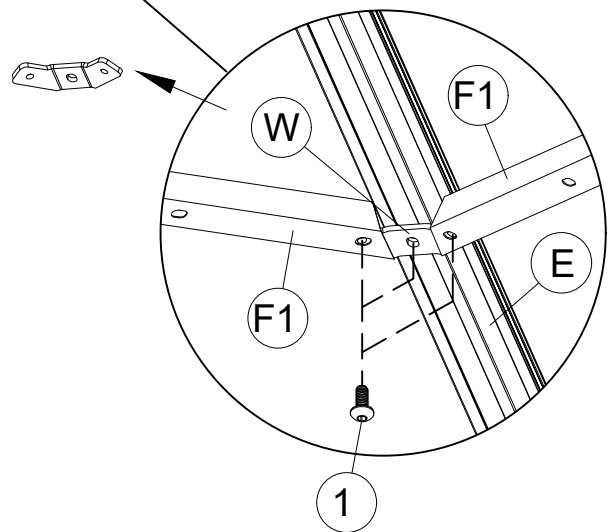
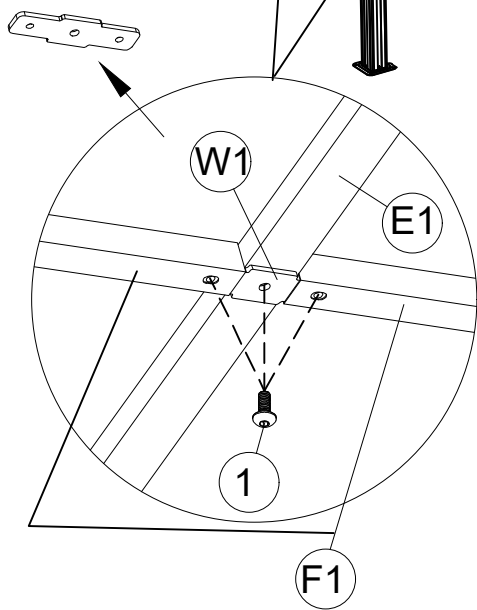
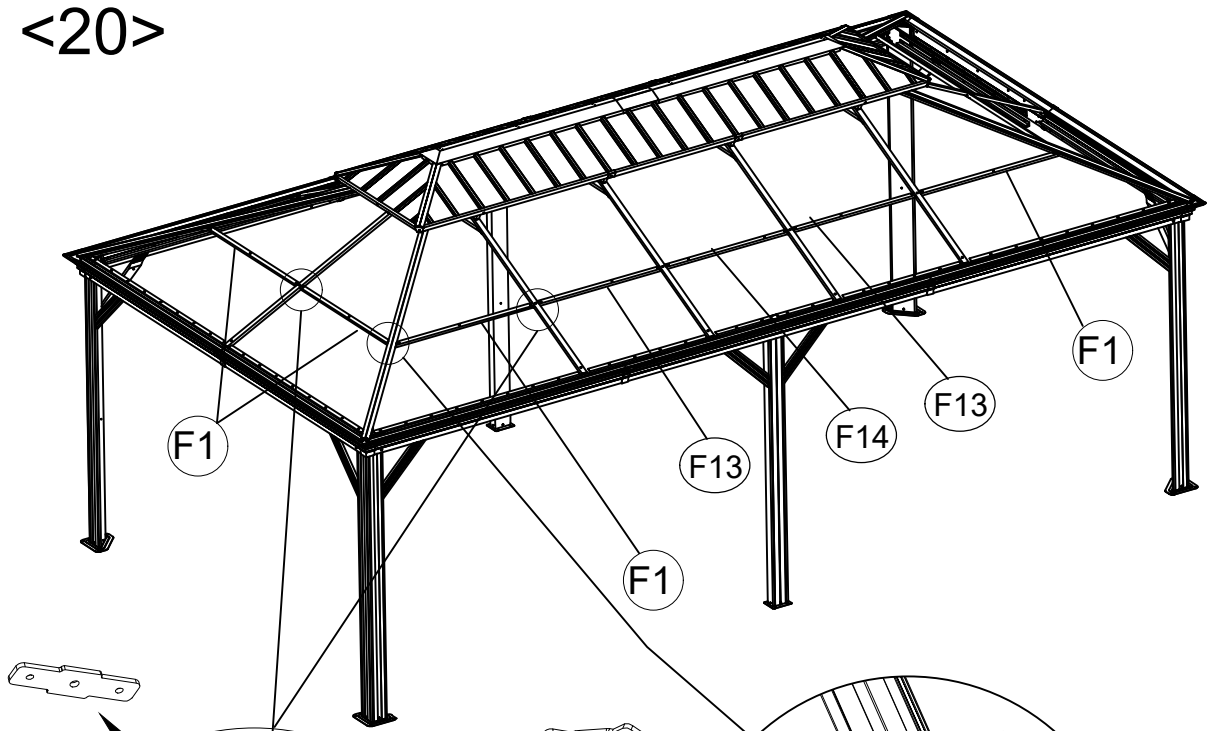
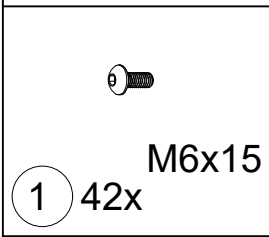
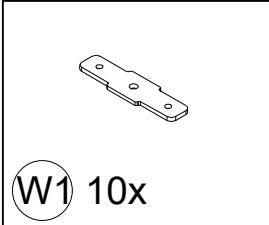
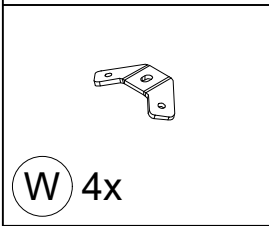
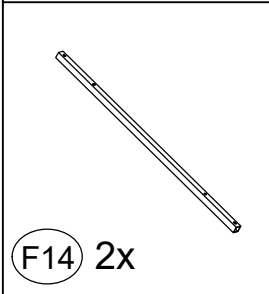
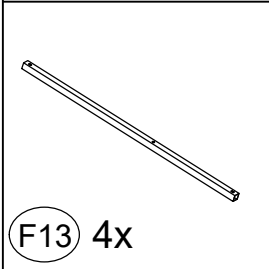
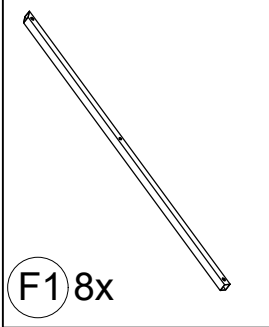


M6x15

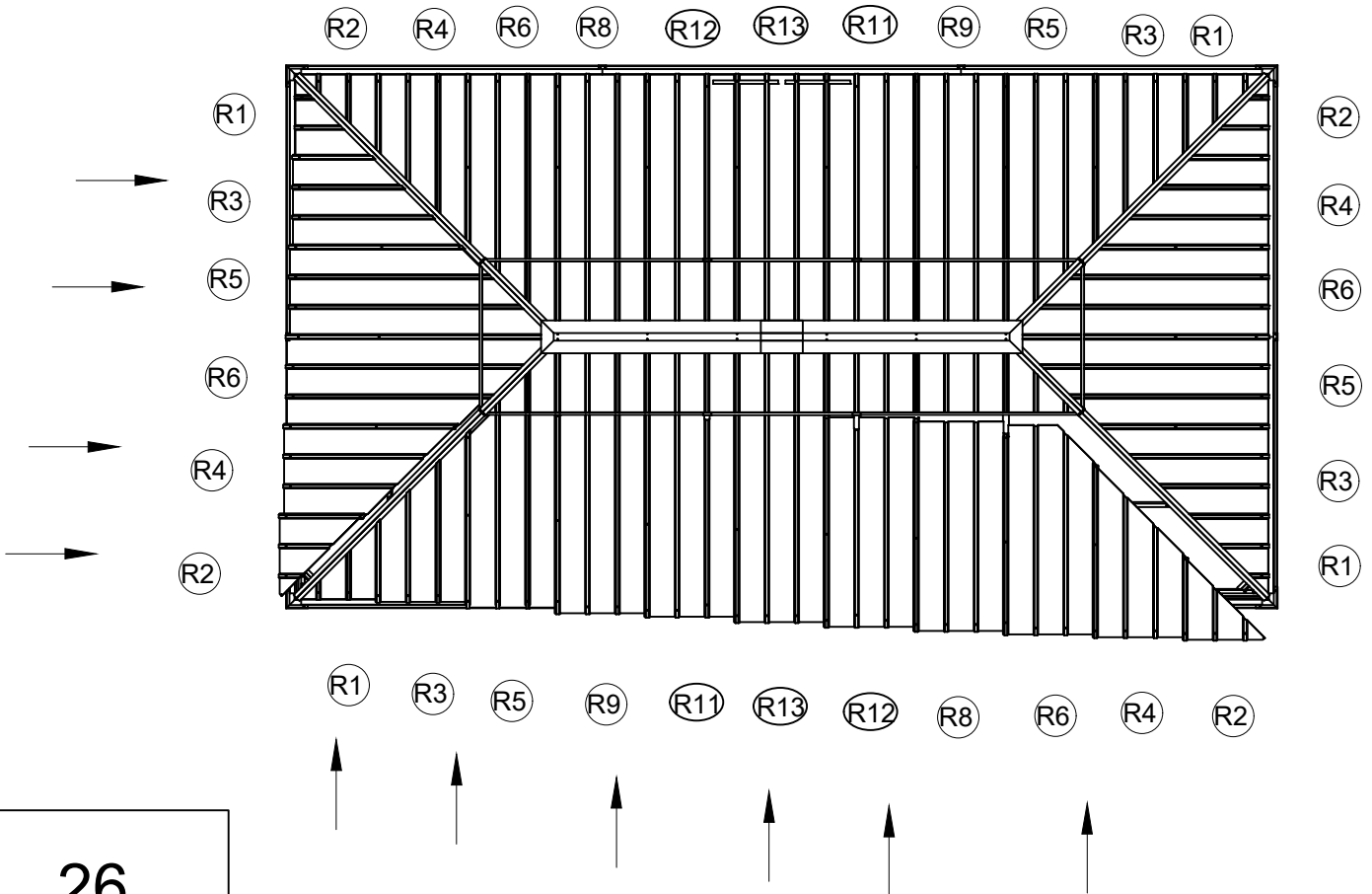
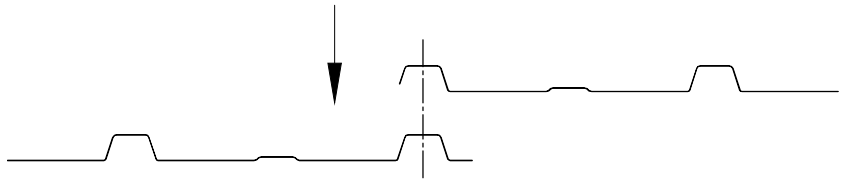
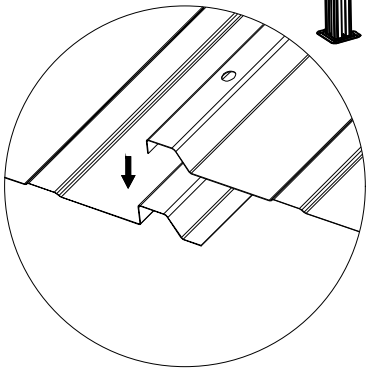
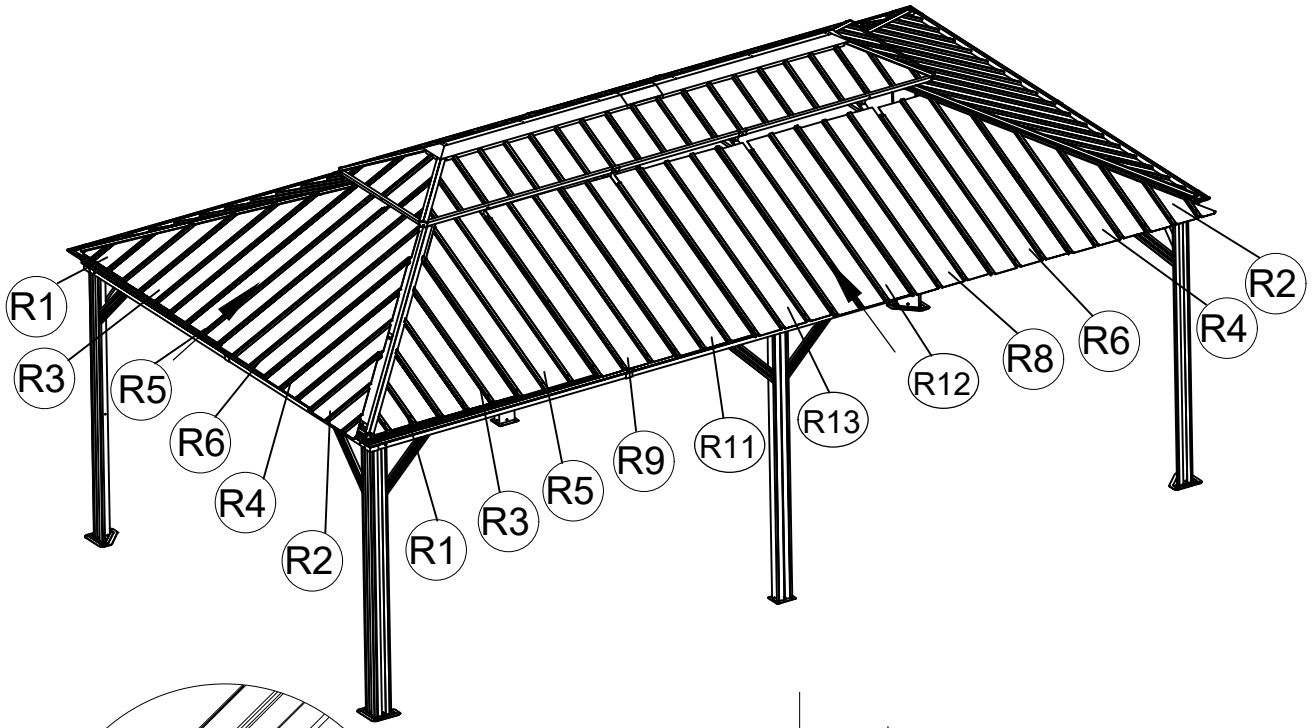
1 6x



<20>

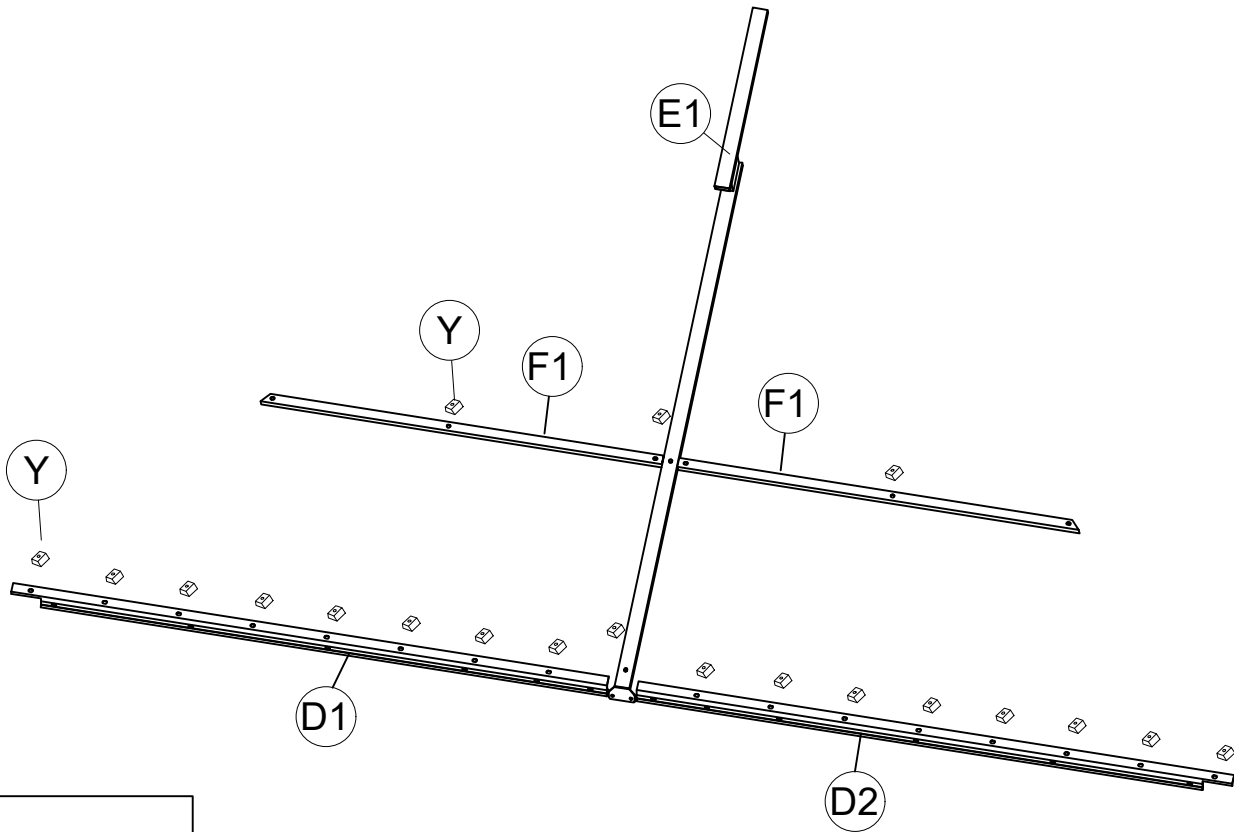
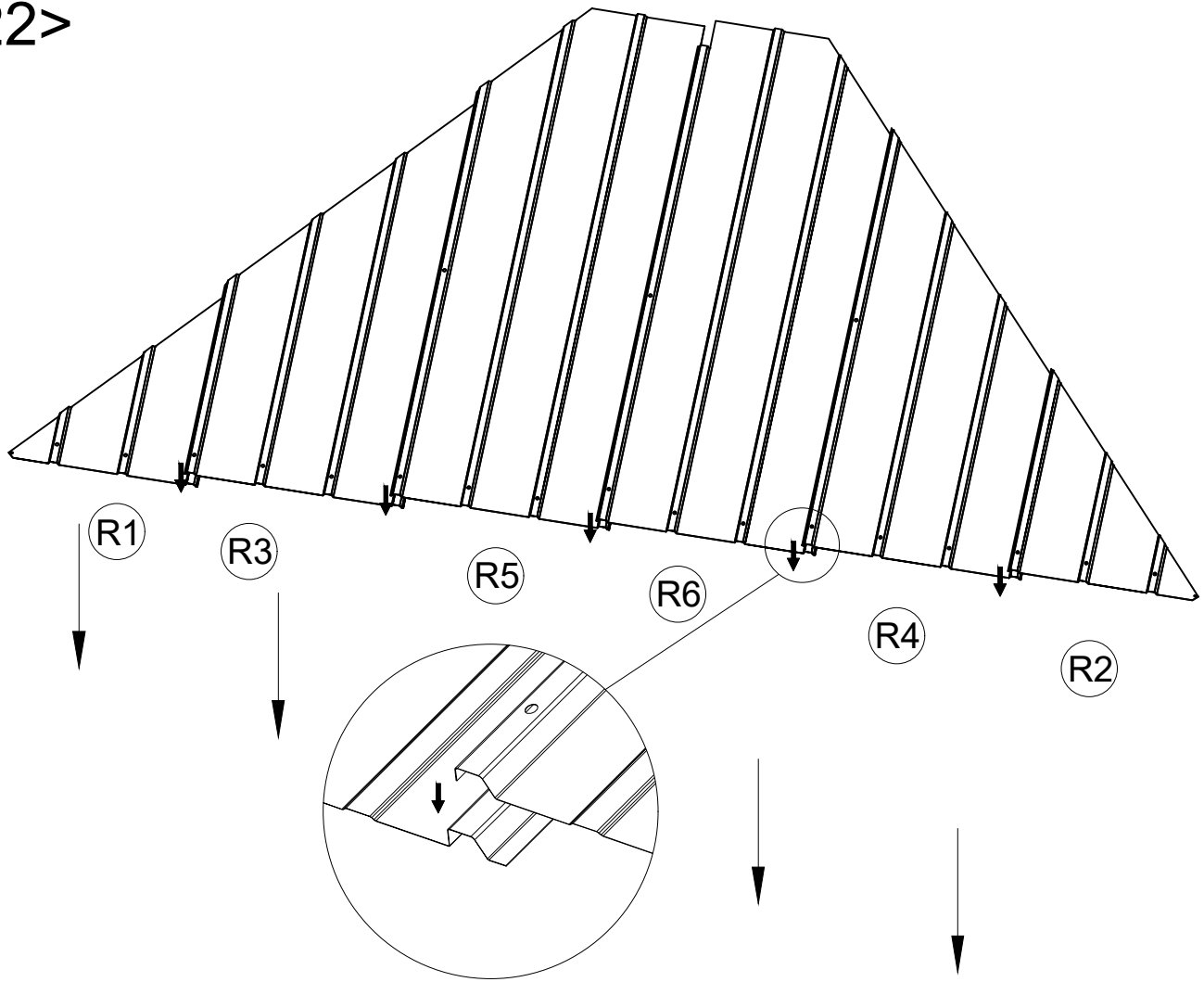


<21>



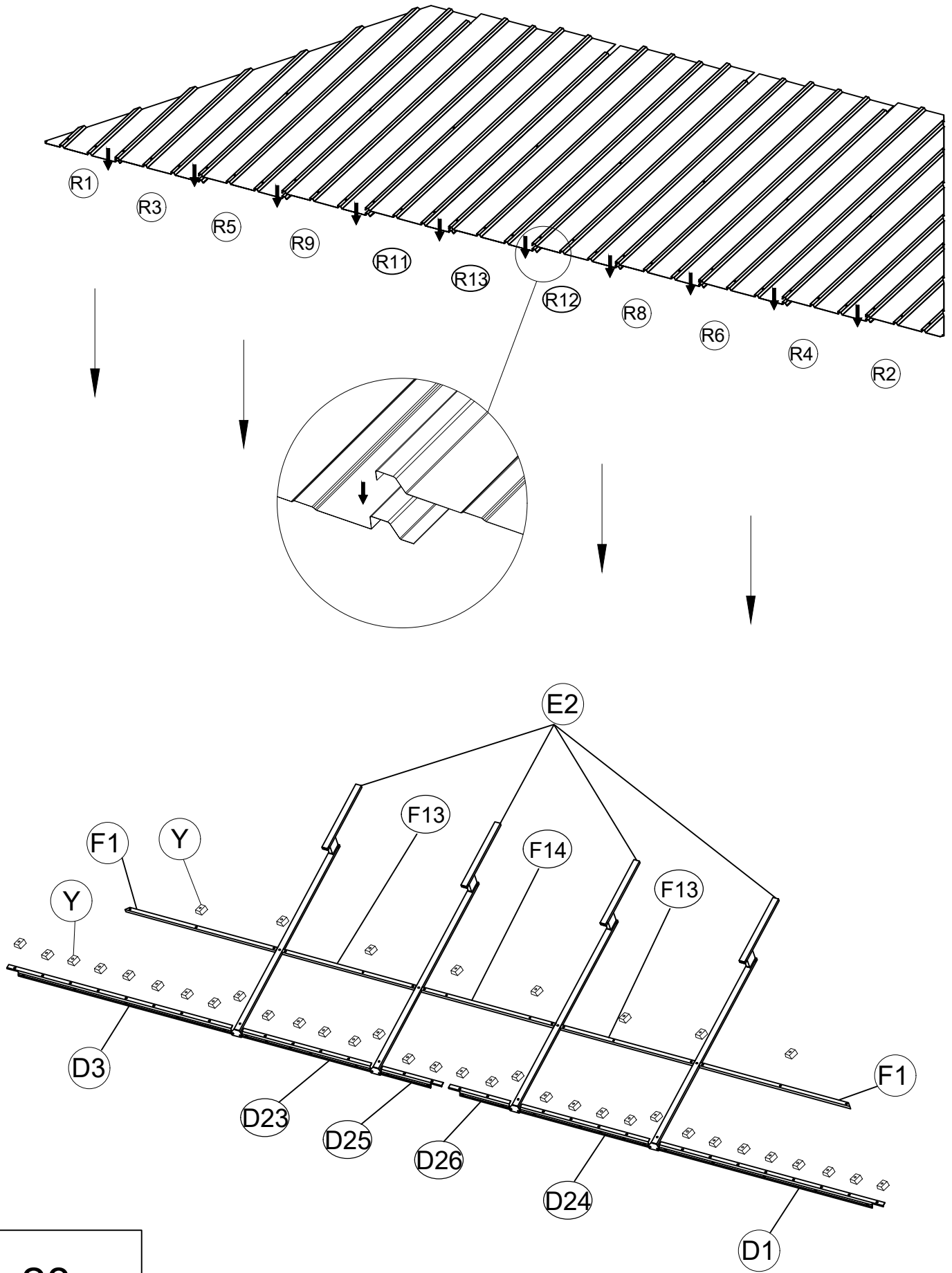
26

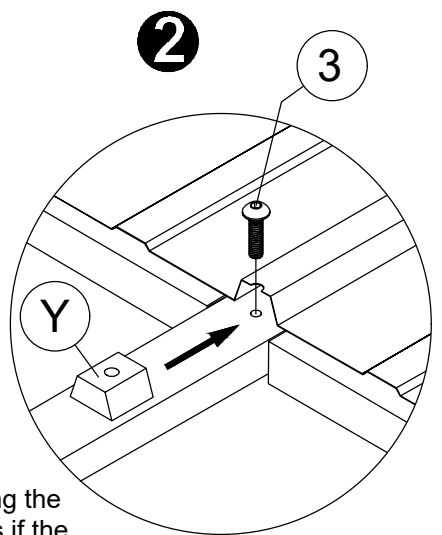
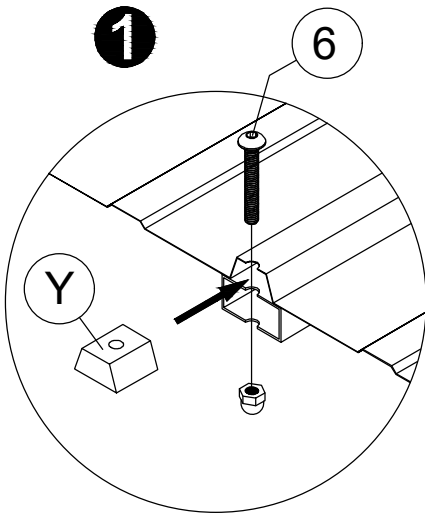
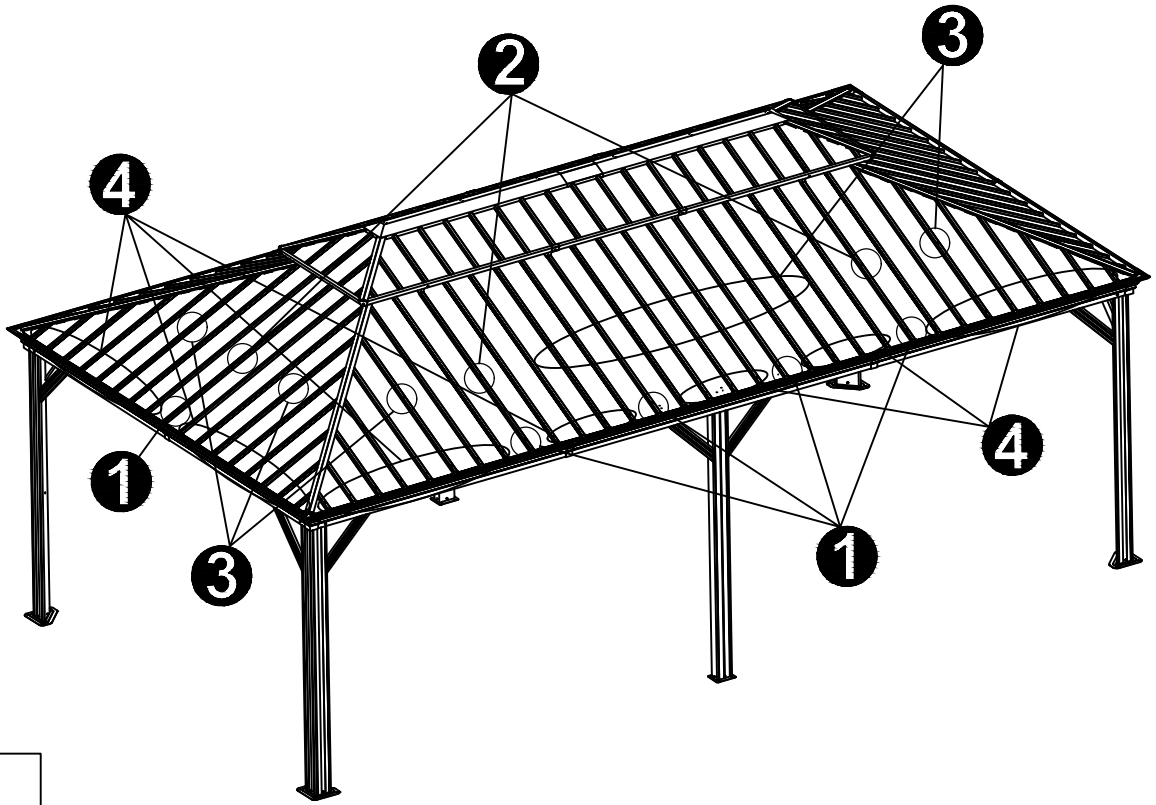
<22>



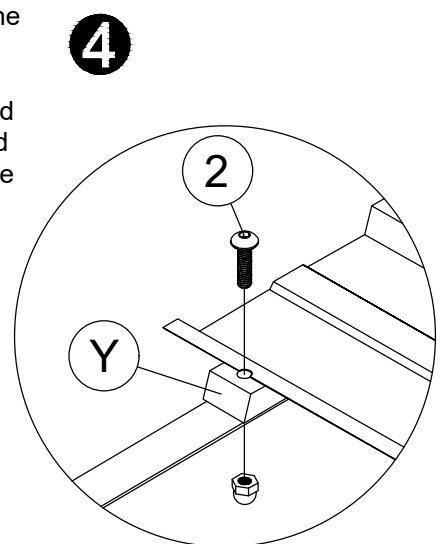
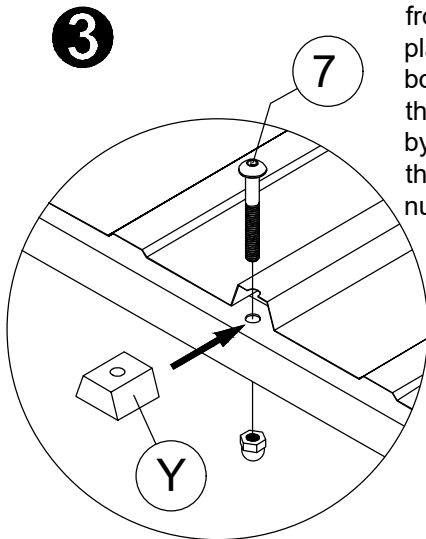
27

<23>





Note:
When installing the roof top plates, if the roof plates are slightly uneven, please press the screws from the top of the plates until the bottom screw thread is exposed by 3 to 4mm, and then screw on the nut.



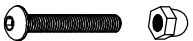
Y 120x



2 88x M6x23



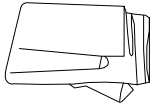
3 6x M6x25



6 10x M6x42

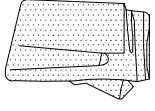


7 16x M6x47

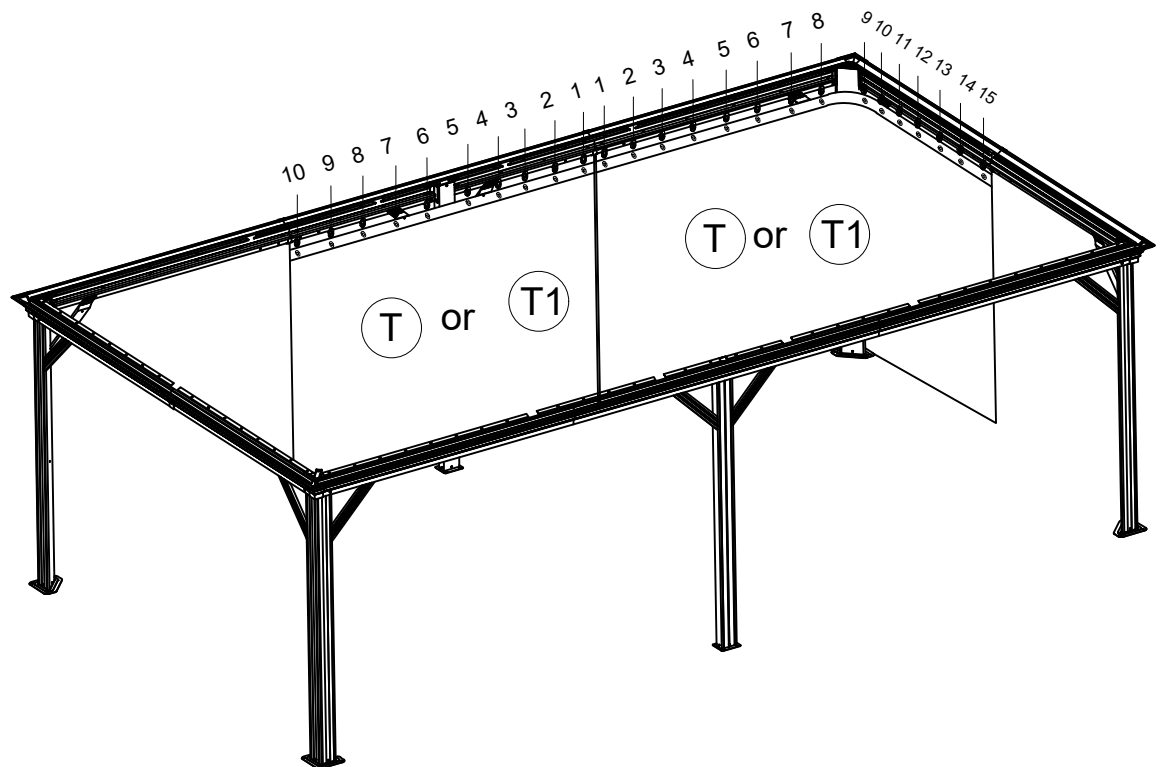
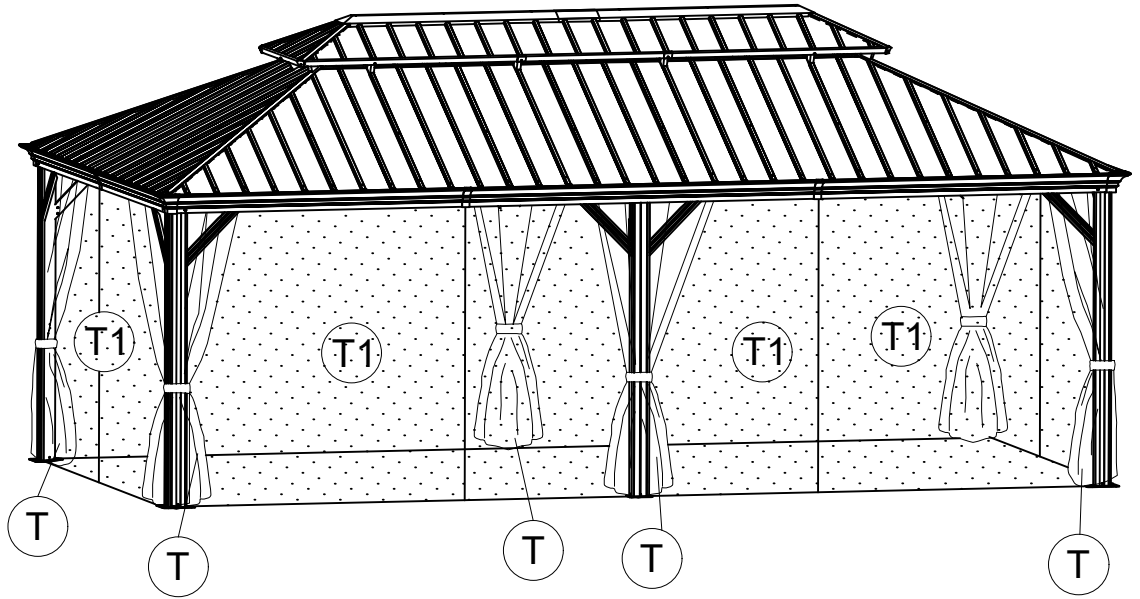
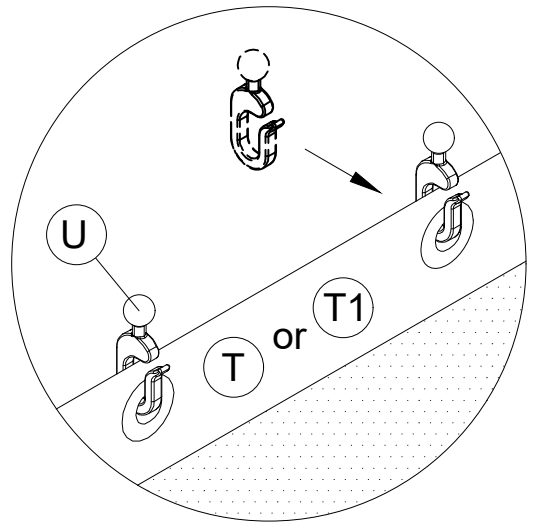
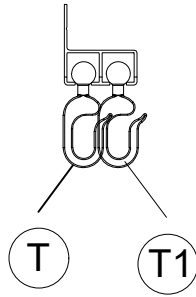


<25>

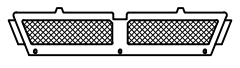
T 4x + 2x



T1 4x + 2x



<26>



V1 2x



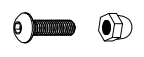
V10a 2x



V10b 2x

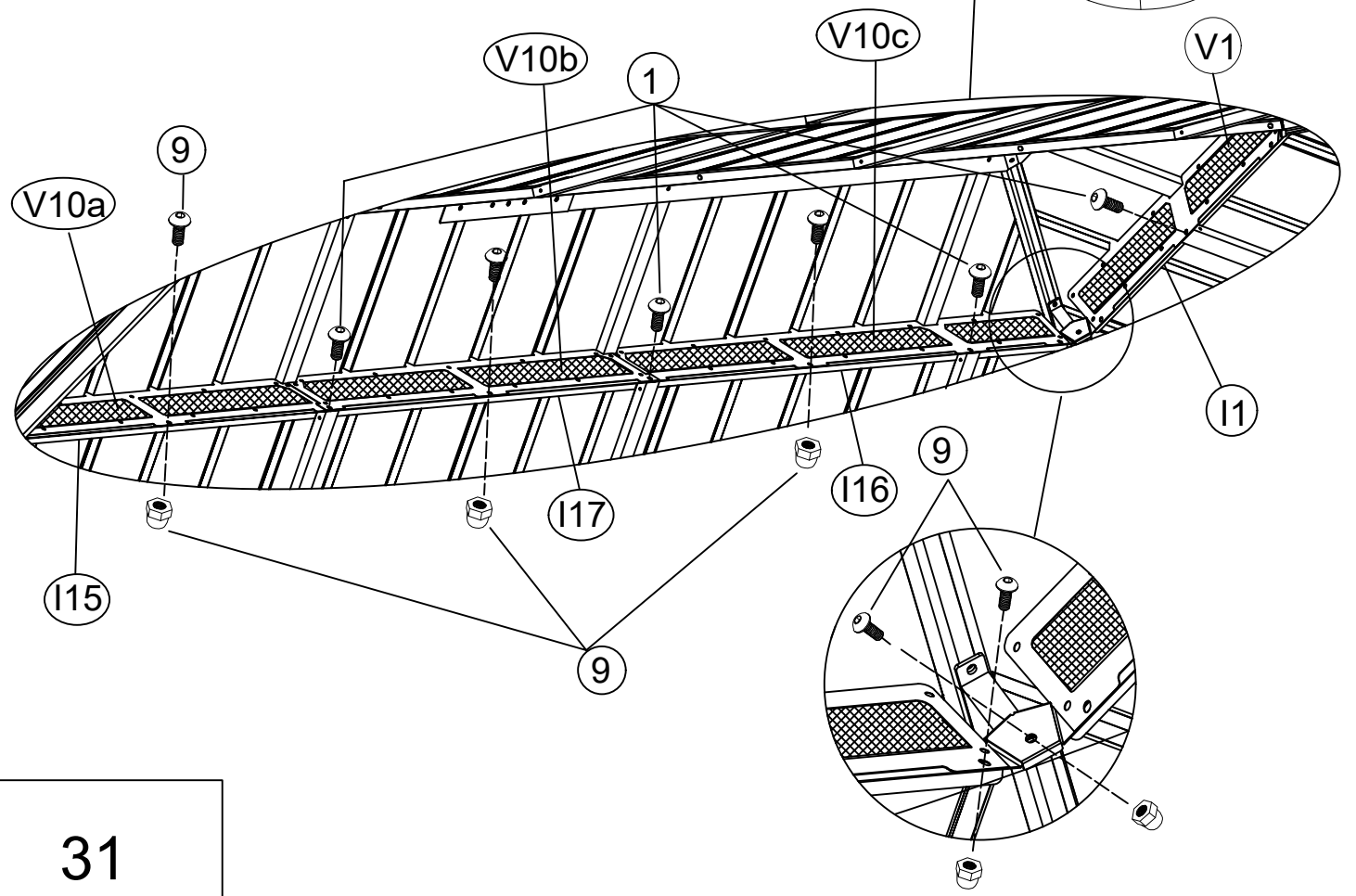
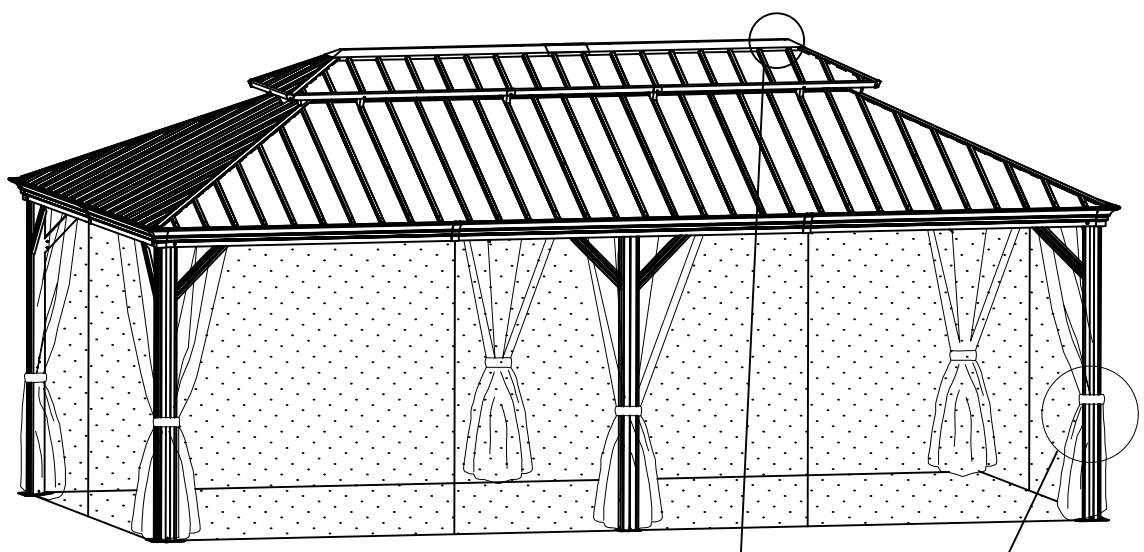


V10c 2x



M6x10

9 14x



Carton-1/6		Carton-2/6		Carton-3/6		Carton-5/6	
Part	Qty	Part	Qty	Part	Qty	Part	Qty
A	4	V1	2	N	8	R8	2
A3	2	V10a	2	N1	4	R9	2
F1	8	V10b	2	V	6	R5	4
F13	4	V10c	2	W	4	R6	4
F14	2	Y	120	W1	10	R11	2
F5	4	U	160	W3	8	R12	2
H3	2	J1	2	W4	12	R13	2
H4	2			W5	4		
Carton-2/6		Carton-3/6		Carton-4/6			
Part	Qty	Part	Qty	Part	Qty		
B1	2	B17	2	L8	2		
B2	2	E	4	M8	2		
B3	2	E1	2	L8b	1	Carton-6/6	
B4	2	E2	8	G1	2	Part	Qty
C1	2	E5	4	G15	2	R1	4
C2	2	C7	2	G16	2	R2	4
C3	2	C8	2	I1	2	R3	4
C4	2	H	4	D25	2	R4	4
D1	2	H1	4	D26	2	S1	4
D2	2	G17	2	P	6	S2	4
D3	2	I15	2	T	4 + 2	S3	10
D4	2	I16	2	T1	4 + 2		
D23	2	I17	2	1.2.3.4.5.6. 7.8.9.10.11. 12.13.14.15	1		
D24	2	F17	2				
Z	64	J	4				
Z1	8	K	4				
Z2	8	K1	6				