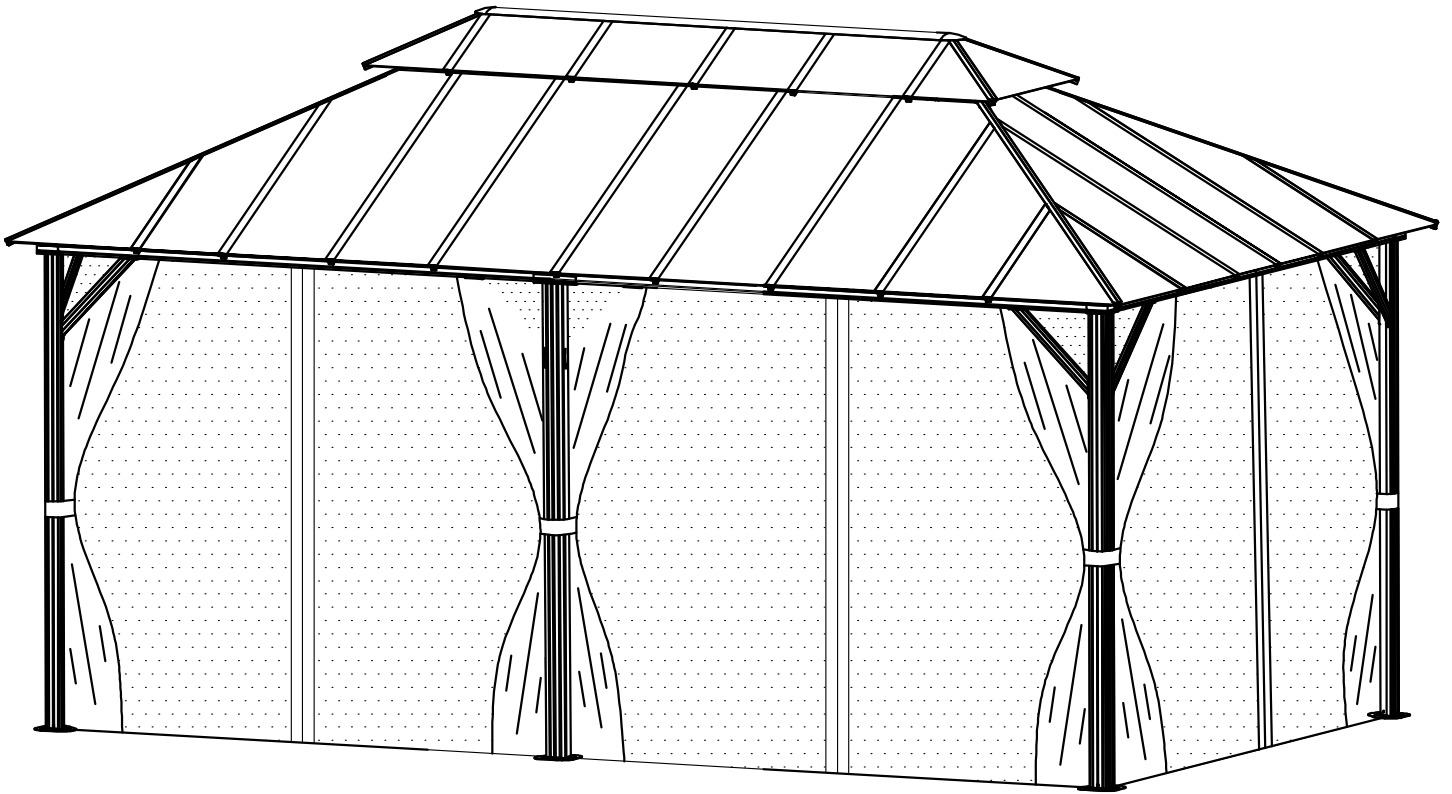


ZHG-044 12'X20'ALUMINUM GAZEBO TWIN LAYER ALUMINUM ROOF/DOUBLE ROOF



The gazebo comes with 4 boxes. Sometimes they may be delivered on the different day, please wait 2-3 more days or contact us for help.

Safety Information



WARNING: Keep all flame and heat sources away from this tent fabric. This tent is made with fabric that meets CPAI-84 specification for flame resistance. It is not fire proof. The fabric will burn if left in continuous contact with any flame source. The application of any foreign substance to the tent fabric may render the flame-resistance properties ineffective.



WARNING: When assembling and using this product, basic safety precautions must always be followed to reduce the risk of personal injury and damage to product or surroundings.



WARNING: This gazebo is NOT a permanent structure and is designed for sunshade and privacy only. The gazebo should only be used in ideal weather conditions. You MUST completely disassemble the gazebo prior to any extreme weather such as heavy thunder storms, hurricanes and/or ice/hail storms. Failure to do so may result in structural or property damage.



CAUTION: Always install the gazebo on level ground utilizing the ground stakes provided for stability. It is not recommended to permanently anchor this gazebo to a hard surface such as a wood deck or concrete floor.



CAUTION: Gazebo roof is weather resistant but may leak during precipitation. It is recommended to remove the roof boards if expecting ice or hail storms.



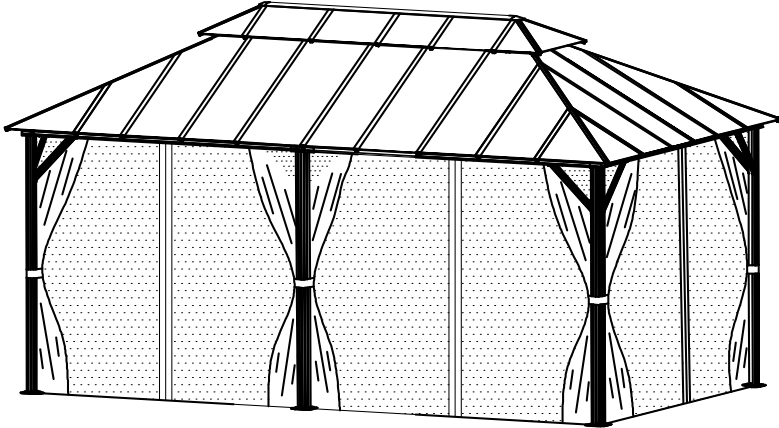
CAUTION: Keep all children and pets away from assembly area. Begin assembly not less than 6 feet from any obstruction such as fence, garage, house, overhanging branches, clothes line or electrical wires. Some parts may contain sharp edges, wear protective gloves if necessary.

Care Instructions






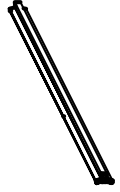





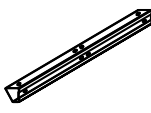


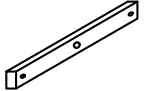

Before using, wipe with a clean, dry cloth. Do not use bleach or solvents. Treat the frame with liquid wax for maximum protection against UV light and salty, damp air. Clean the roof panels periodically with a mild soap and water. Do not use harsh chemical cleaners as this will damage the panel finish. Please properly tighten all hardware and perform periodic inspections during usage for cracked welds or loose nuts or bolts.

ATTENTION:














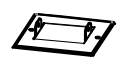



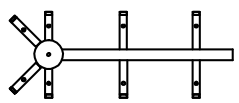
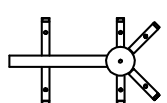

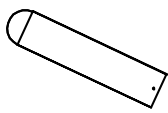


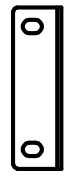
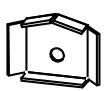

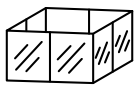
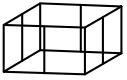
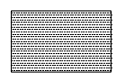
1. Please fix all the screws first, do not lock off, after assembling is fully completed, lock all at once finally.
2. Please check the manual carefully and make sure you have received all the parts.
3. If there is any missing, please let us know the letter of the parts you need.
4. If there is any damage, please send clear photos to us, we will check and offer you best solution soon.







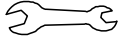


Part List (BOX A)

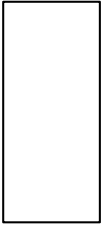
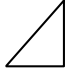
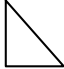

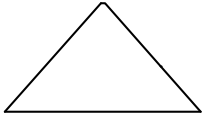
A  4PCS	A1  2PCS	B3  2PCS	B4  2PCS	C  8PCS
D  4PCS	D1  4PCS	G  4PCS	G1  4PCS	G4  4PCS
K1  1PCS	K2  2PCS	Q4  2PCS	Q5  2PCS	S1  3PCS
T1  2PCS				

Part List (BOX B)



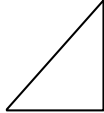
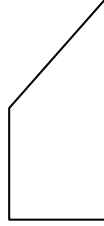
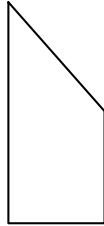
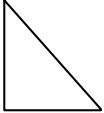
B1  2PCS	B2  2PCS	B10  2PCS	E  12PCS	E1  10PCS
F1  4PCS	F2  4PCS	F3  4PCS	F4  4PCS	I  4PCS
I1  8PCS	I2  2PCS	J  4PCS	J1  2PCS	K  6PCS
L  14PCS	M  4PCS	N3  1PC	N4  1PC	O1  8PCS
P3  2PCS	Q  2PCS	R  3PCS	T2  4PCS	U  4PCS
V  10PCS	W  1PCS	X  1PCS	Y1  1PCS	

#1	#2	#3	#4	#5
				
191PCS	52PCS	20PCS	30PCS	6PCS
#6	#7			
				
1PCS	1PCS			

Part List (BOX C)

GG	AA	BB	CC	KK
				
8PCS	2PCS	2PCS	8PCS	2PCS

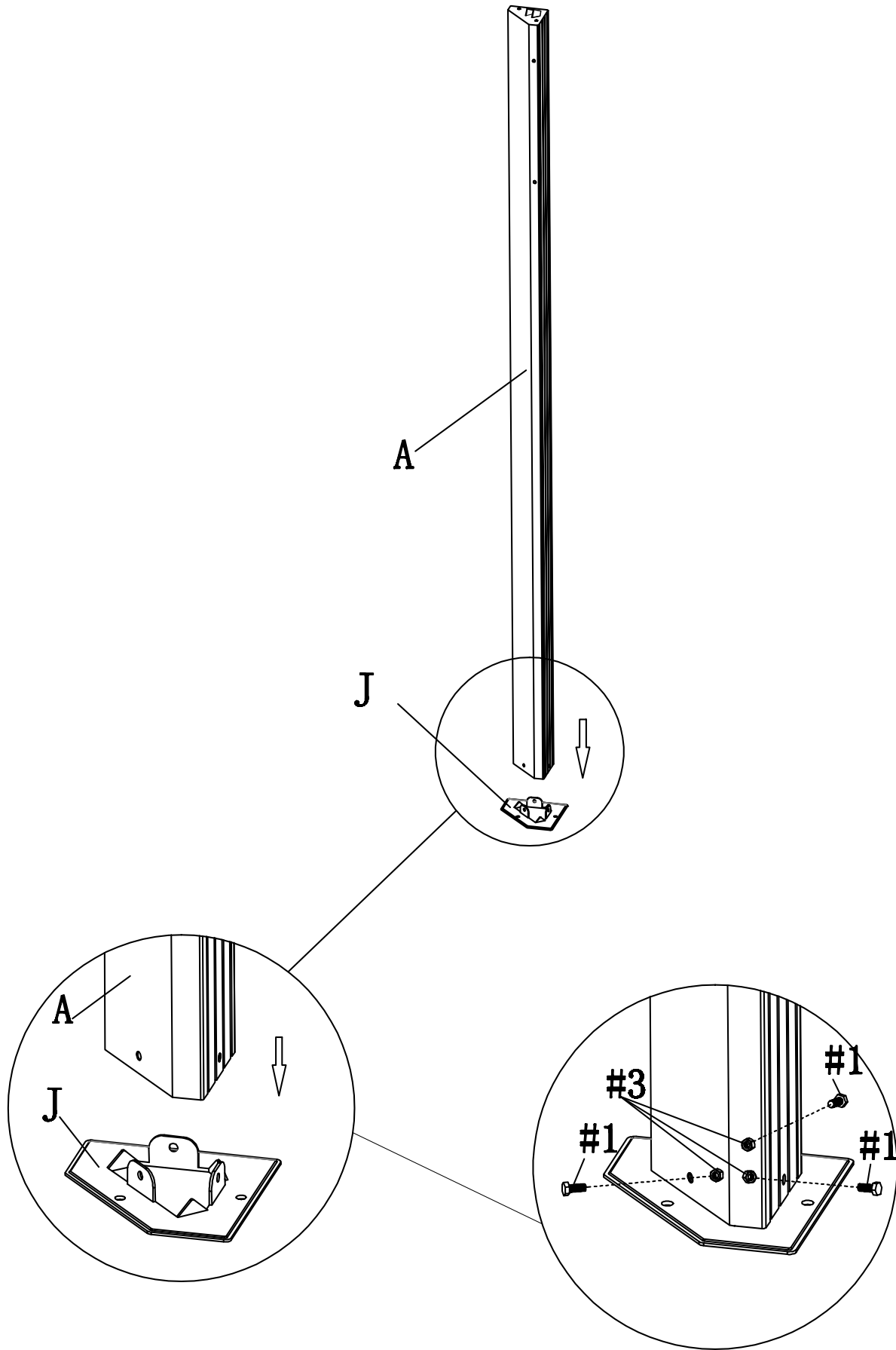
Part List (BOX D)

FF	HH	DD	EE	II
				
4PCS	4PCS	4PCS	4PCS	4PCS
JJ				
				
4PCS				

Assembly Step

STEP 1

A*4
J*4
#1*12
#3*12

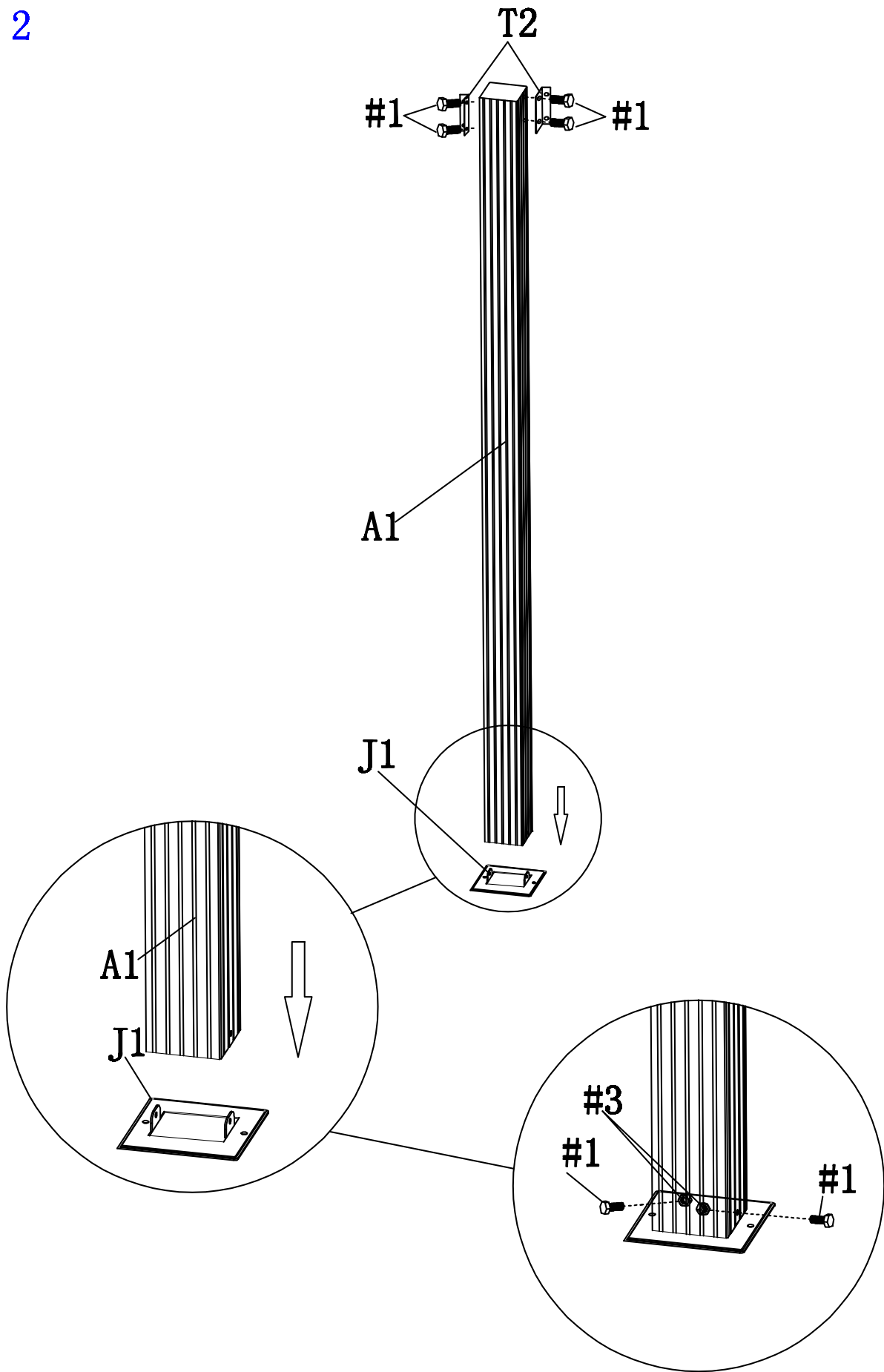


Install a base flange(J) to the bottom of a post(A) using bolts(#1) and nuts(#3). Repeat the step for all other A posts.

Assembly Step

STEP 2

A1*2
J1*2
T2*4
#1*12
#3*4

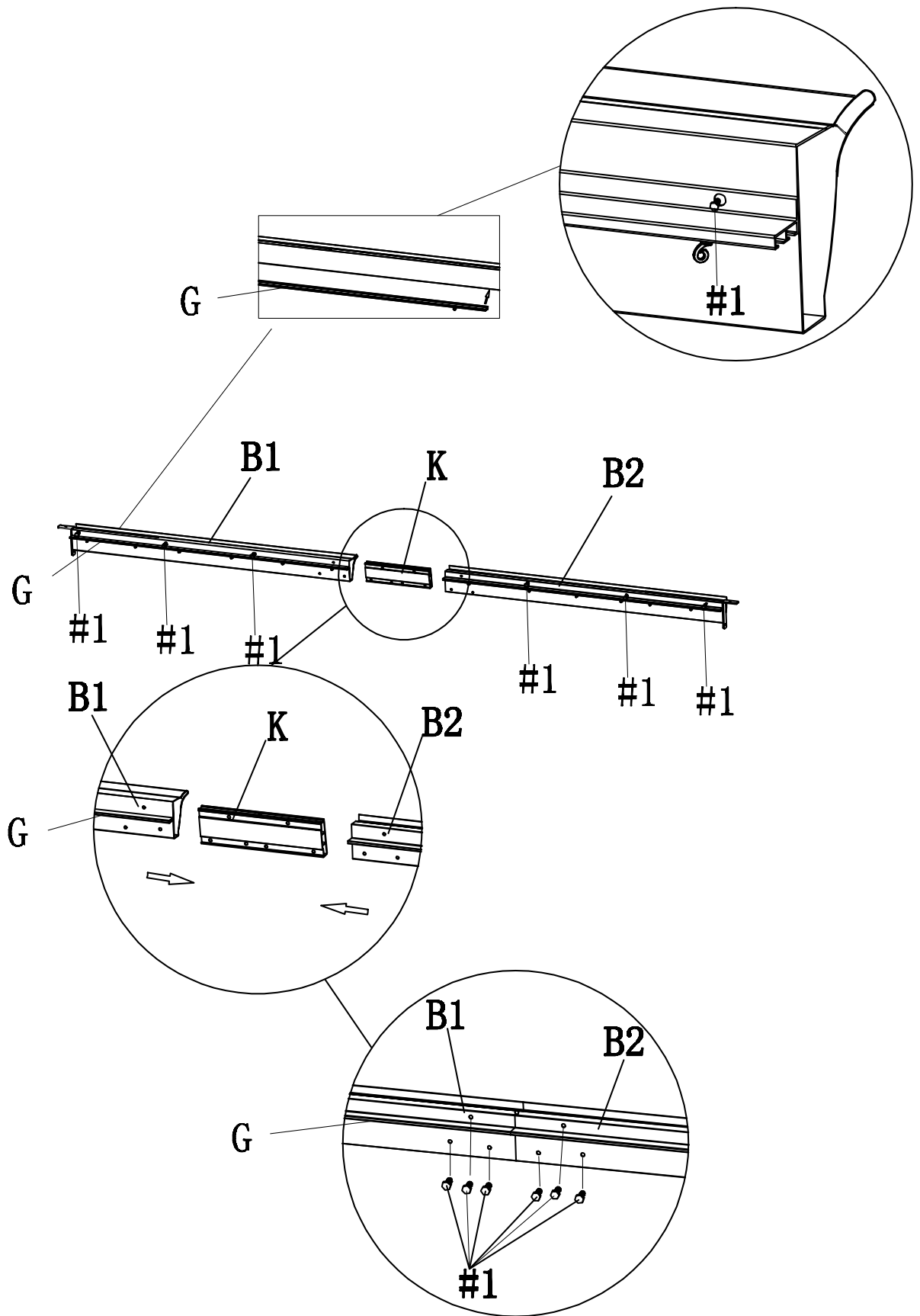


Use #1 to install T2 on the top side of A1 and T2 and A1 in a plane, Install a base flange(J1) to the bottom of a post(A1) using bolts(#1) and nuts(#3). Repeat the step for all other A1 posts.

Assembly Step

STEP 3

B1*2
B2*2
K*2
G*4
#1*24

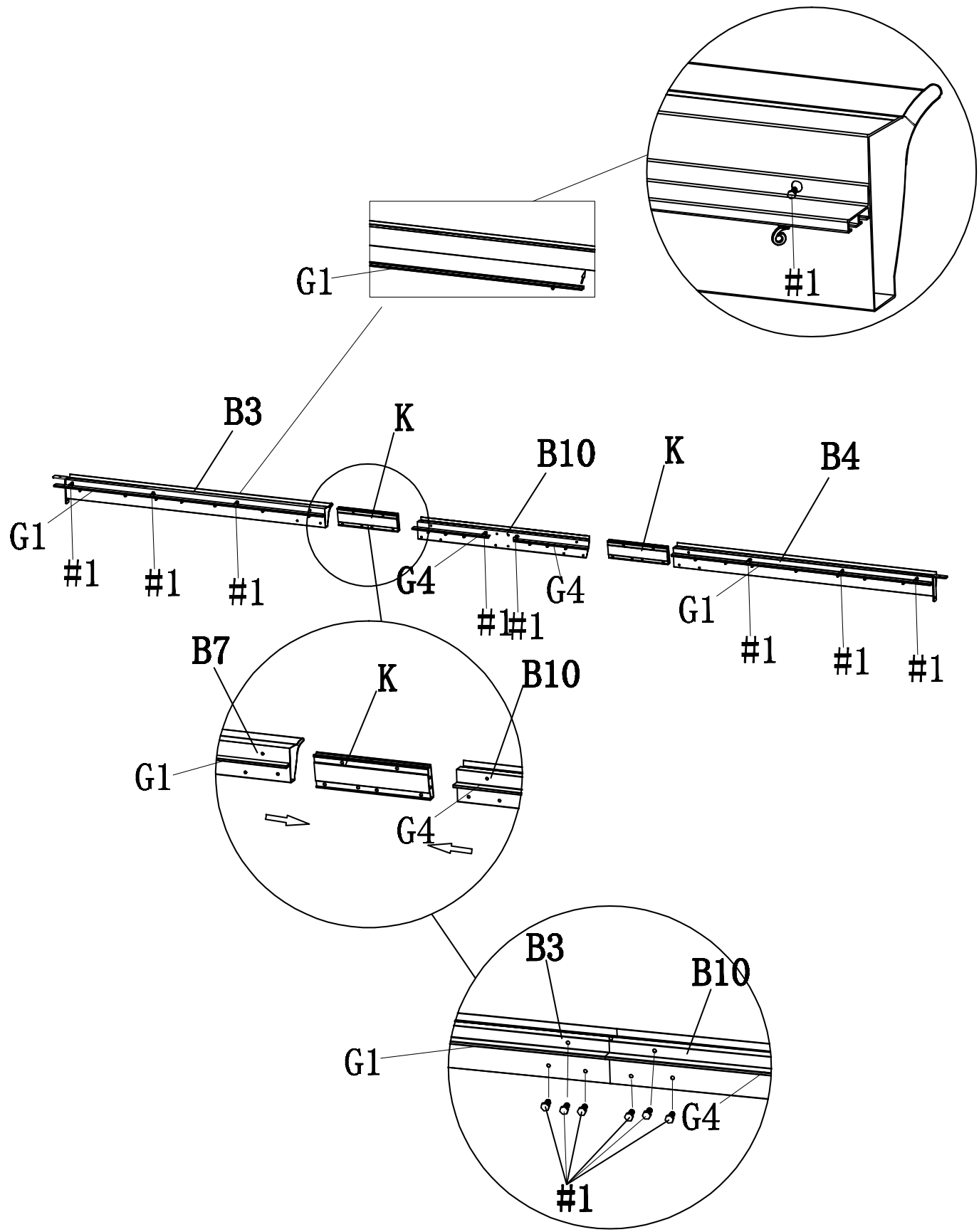


Join crossbars(B1) and (B2) by using connector(K) and bolts(#1).
Install the rail (G) through the bolts (#1) while assembling the crossbars.

Assembly Step

STEP 4

B3*2
B4*2
B10*2
K*4
G1*4
G4*4
#1*40

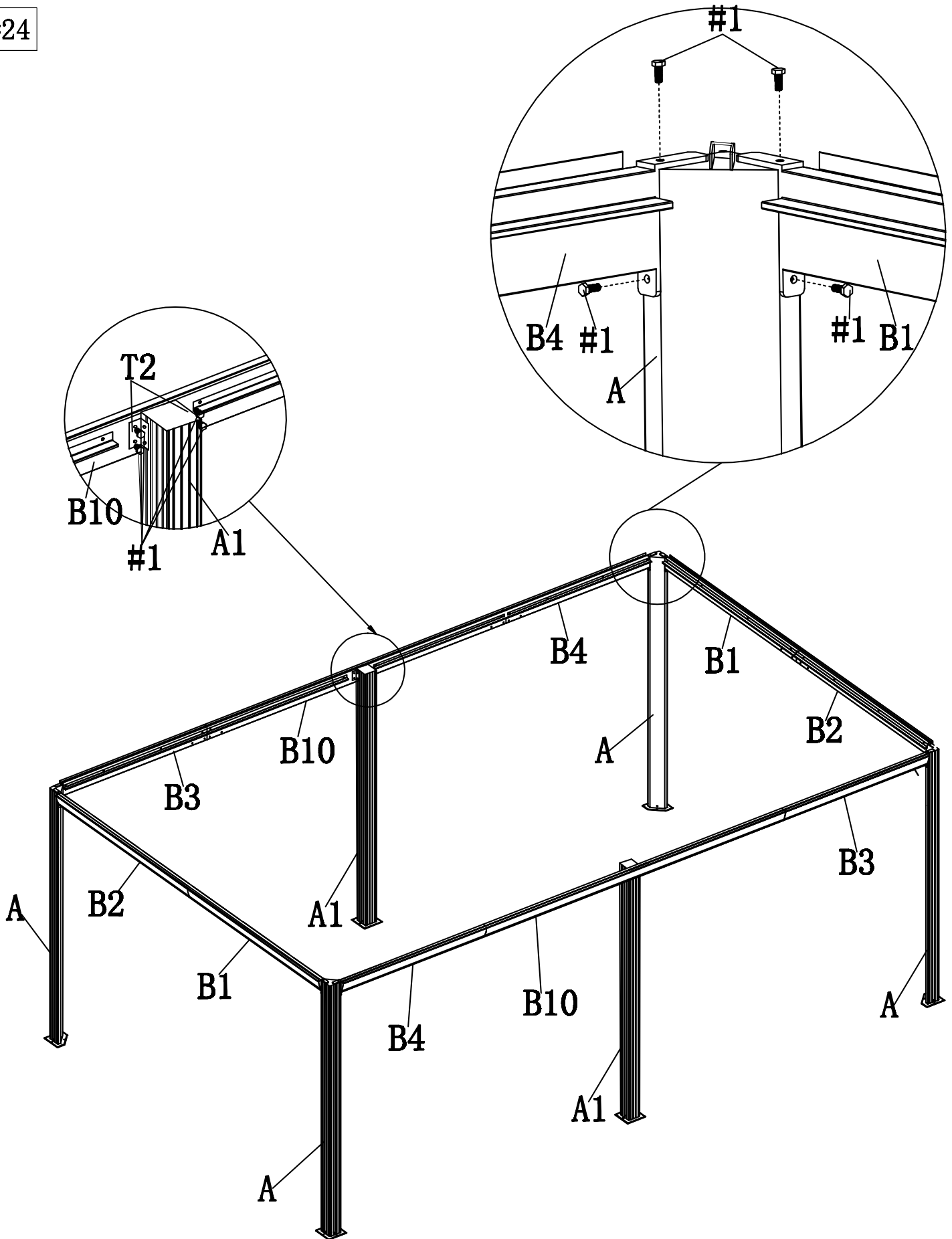


Join crossbars(B6) and (B5) and (B10) by using connector(K) and bolts(#1).
Install the rail (G1) and (G4) through the bolts (#1) while assembling the crossbars.

Assembly Step

STEP 5

#1*24

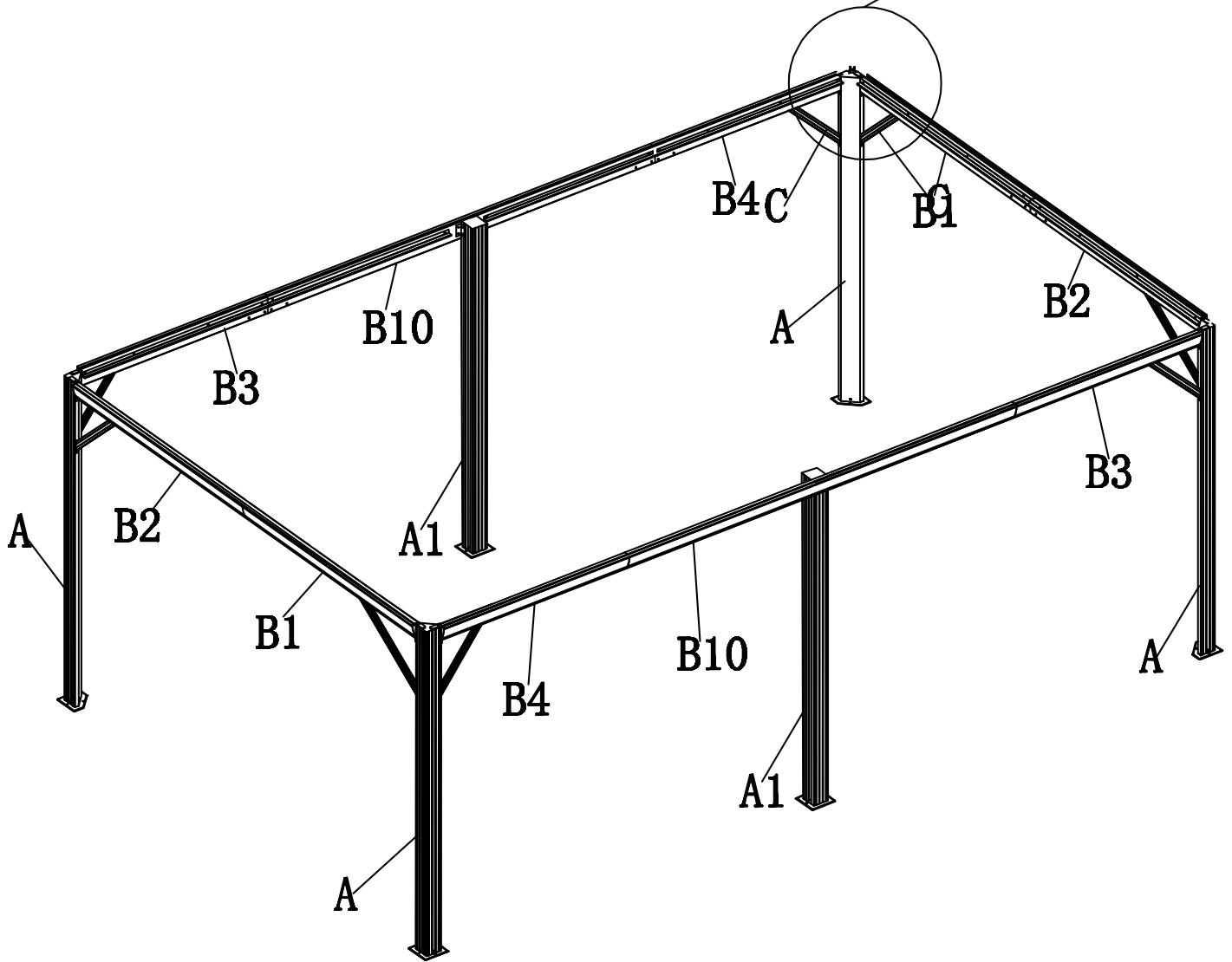
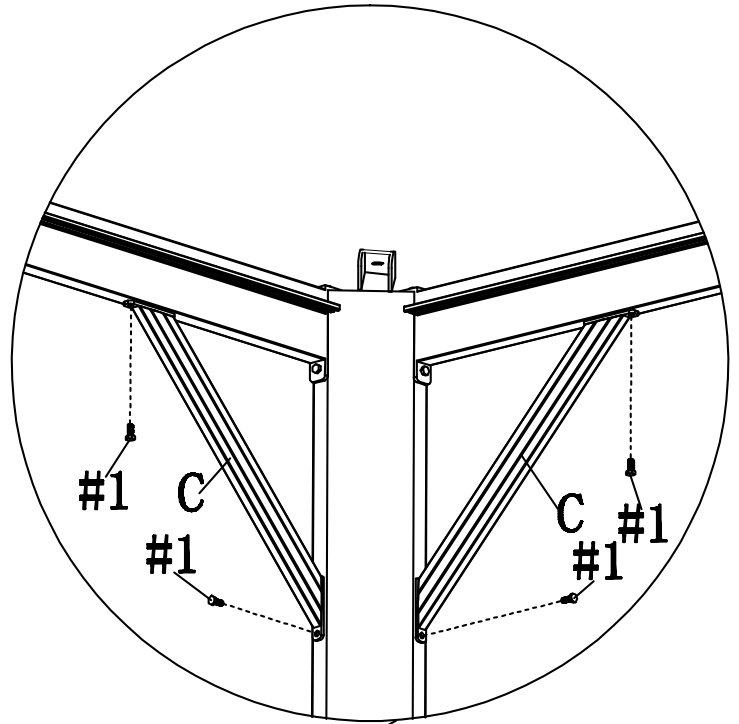


As shown, fix the crossbars assembly (B1)/(B2) and (B3)/(B4) and (B10) to posts (A) and posts(A1) by using bolts (#1). Place the second mounted A1, and the mounted T2 up, in the center of the B10 and fixed with #1.

Assembly Step

STEP 6

C*8
#1*16

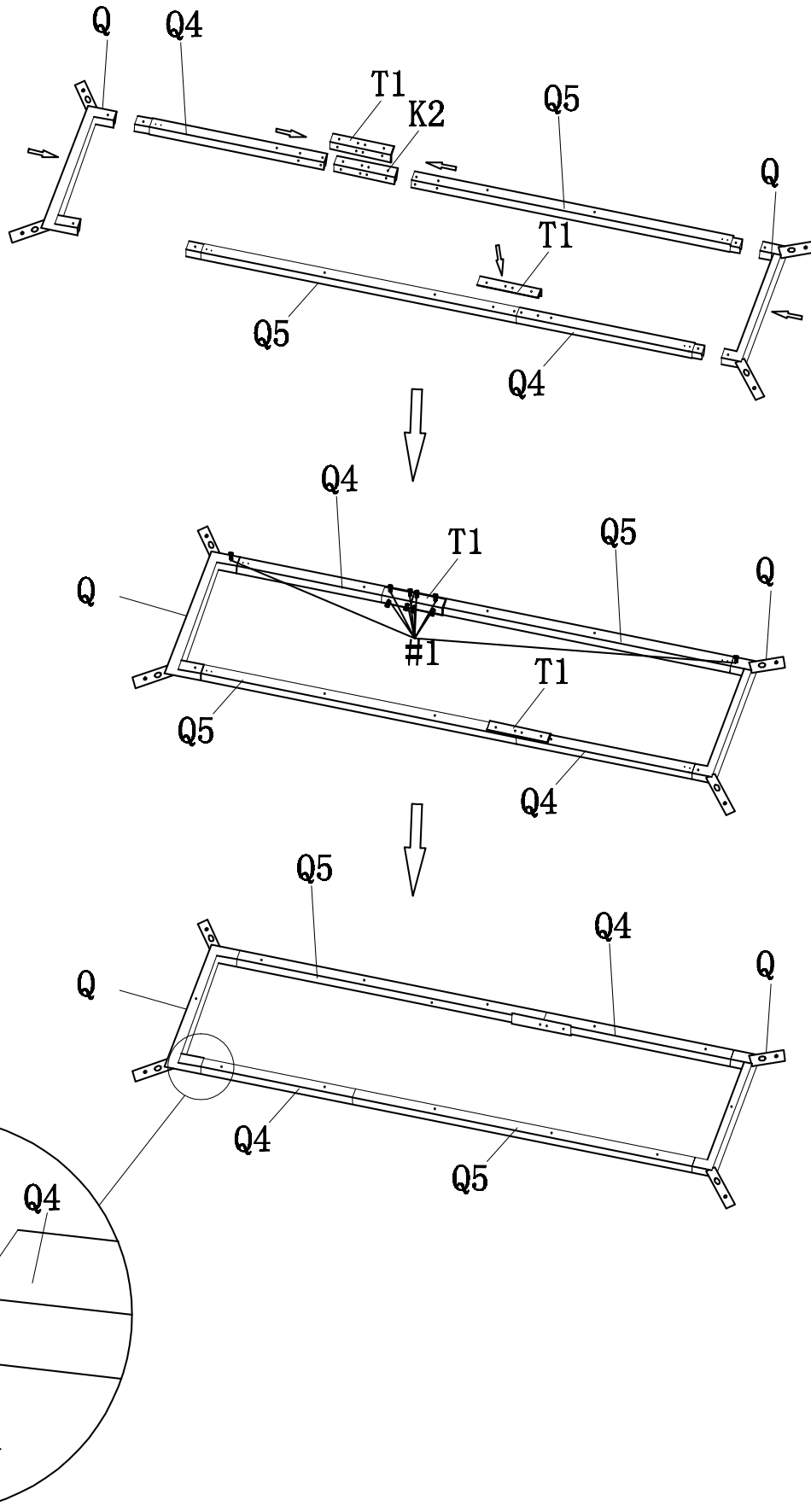


As shown, fix the braces (C) to posts (A) and crossbars assembly (B1)/(B2) and (B3)/(B4) by using bolts (#1).

Assembly Step

STEP 7

Q*2
Q4*2
Q5*2
K2*2
T1*2
#1*20

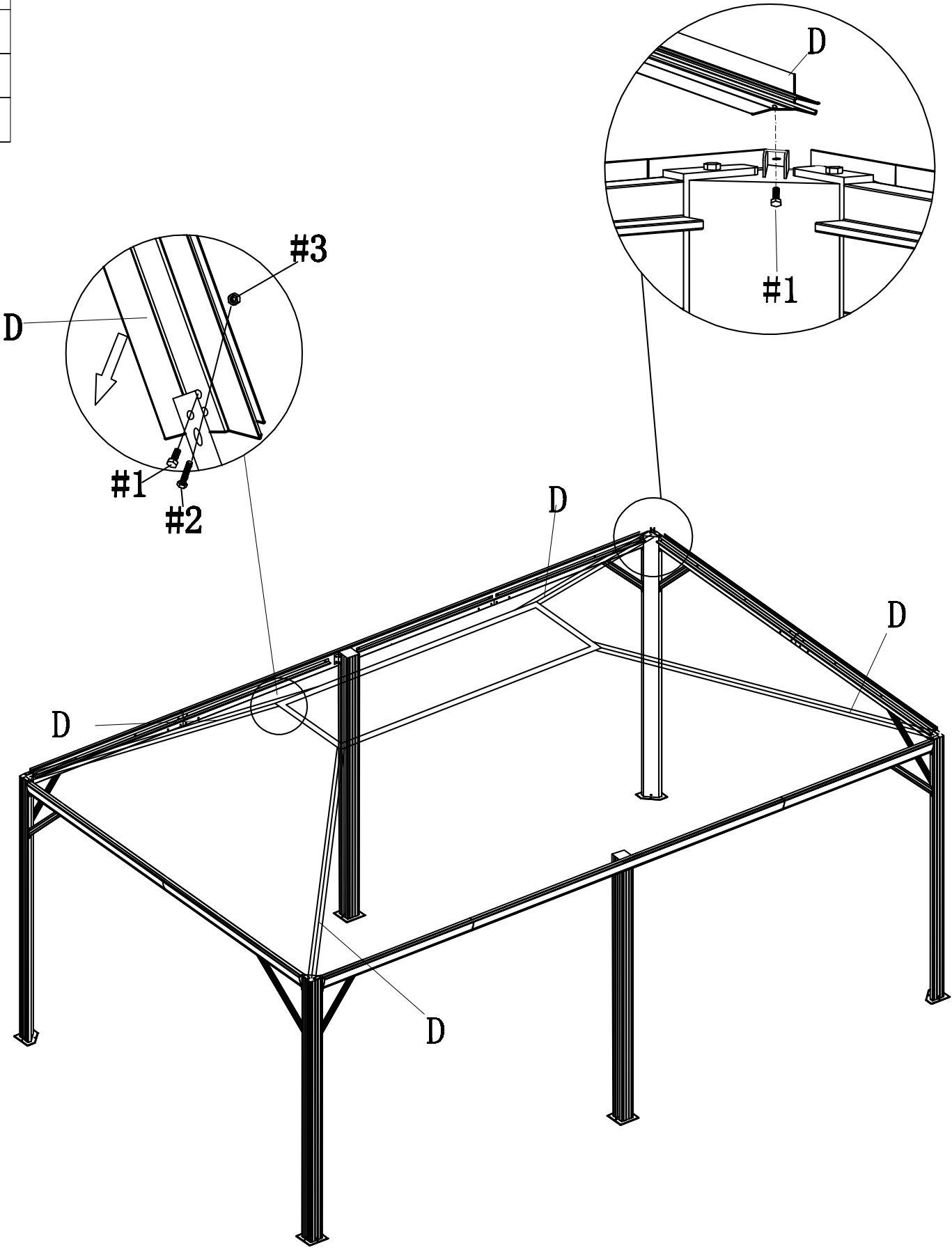


First, Q4 and Q5 are combined through the inner connection tube K2, and T1 is further strengthened on the outside, locked with #1. The combined Q4 is placed in parallel with Q5 in parallel, and then fixed with Q through #1.

Assembly Step

STEP 8

D*4
#1*8
#2*4
#3*4

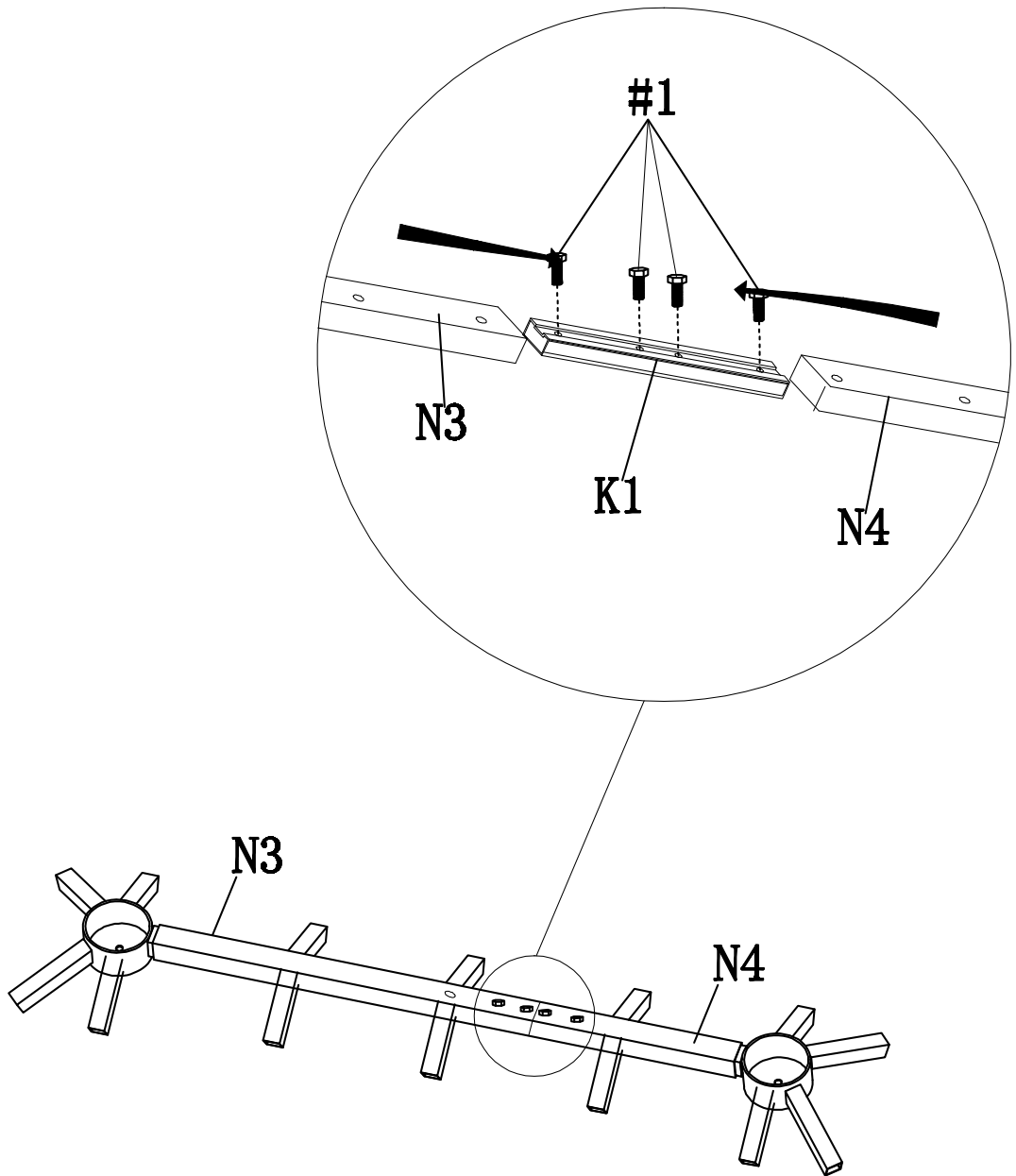


Put the claws of the assembled top frame down, install the pipe jacking (D), the two holes, the top two hole, the first hole through the bolts (#2) through the lower waist and the nut (#3), the second hole with bolts (#1), fix the four corners, rectangular top box and the top post (A), and fixed with bolts (#1).

Assembly Step

STEP 9

N3*1
N4*1
K1*1
#1*4

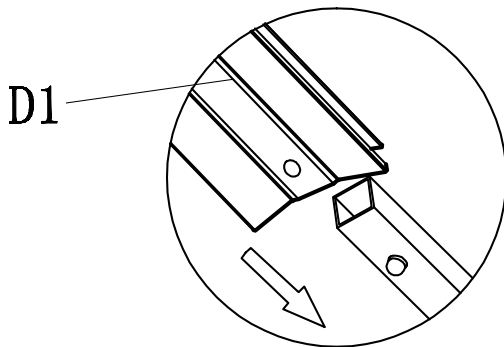
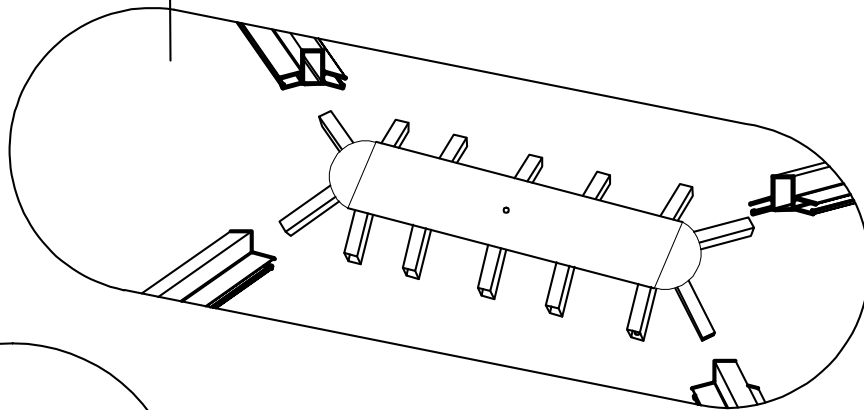
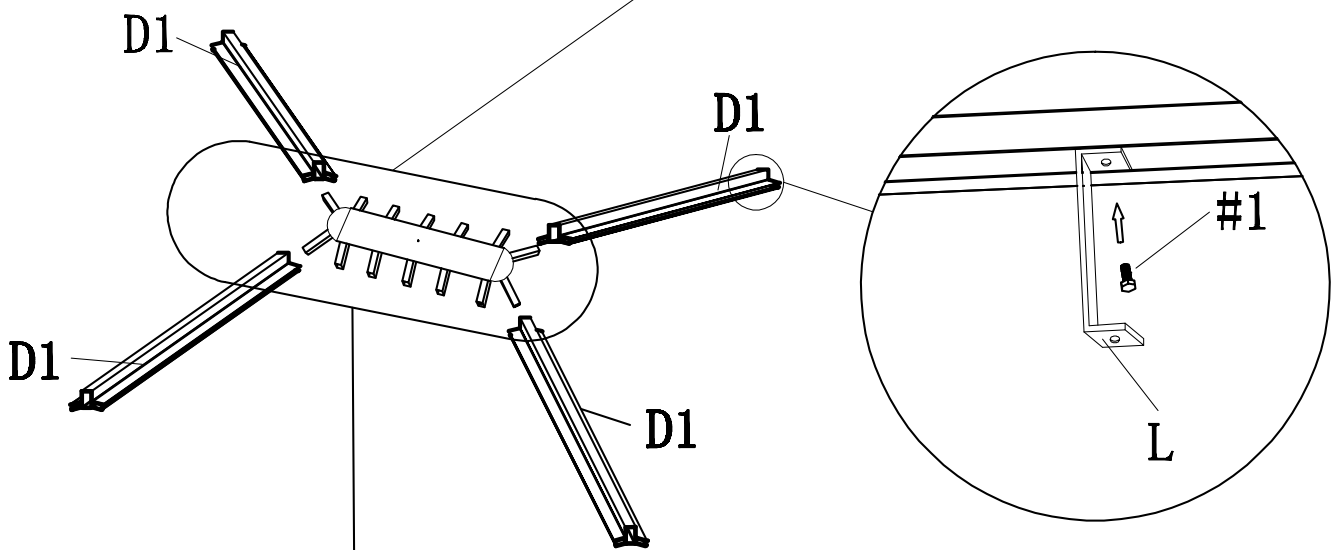
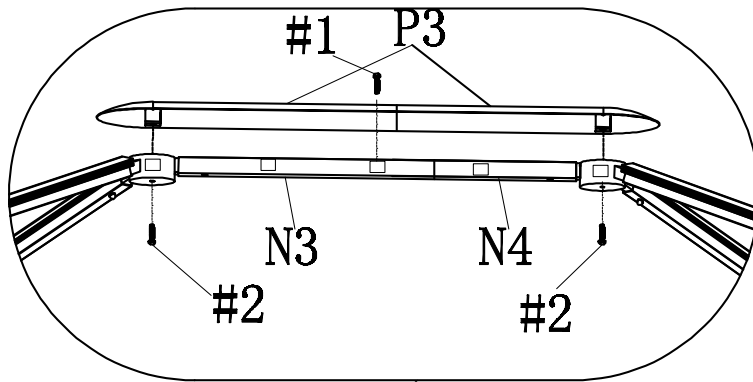


Insert Top Connection(K1) into Long Top Connector(N3) and Short Top Connector(N4) and fix it with Bolts(#1).

Assembly Step

STEP 10

D1*4
L*4
P3*2
#1*5
#2*2

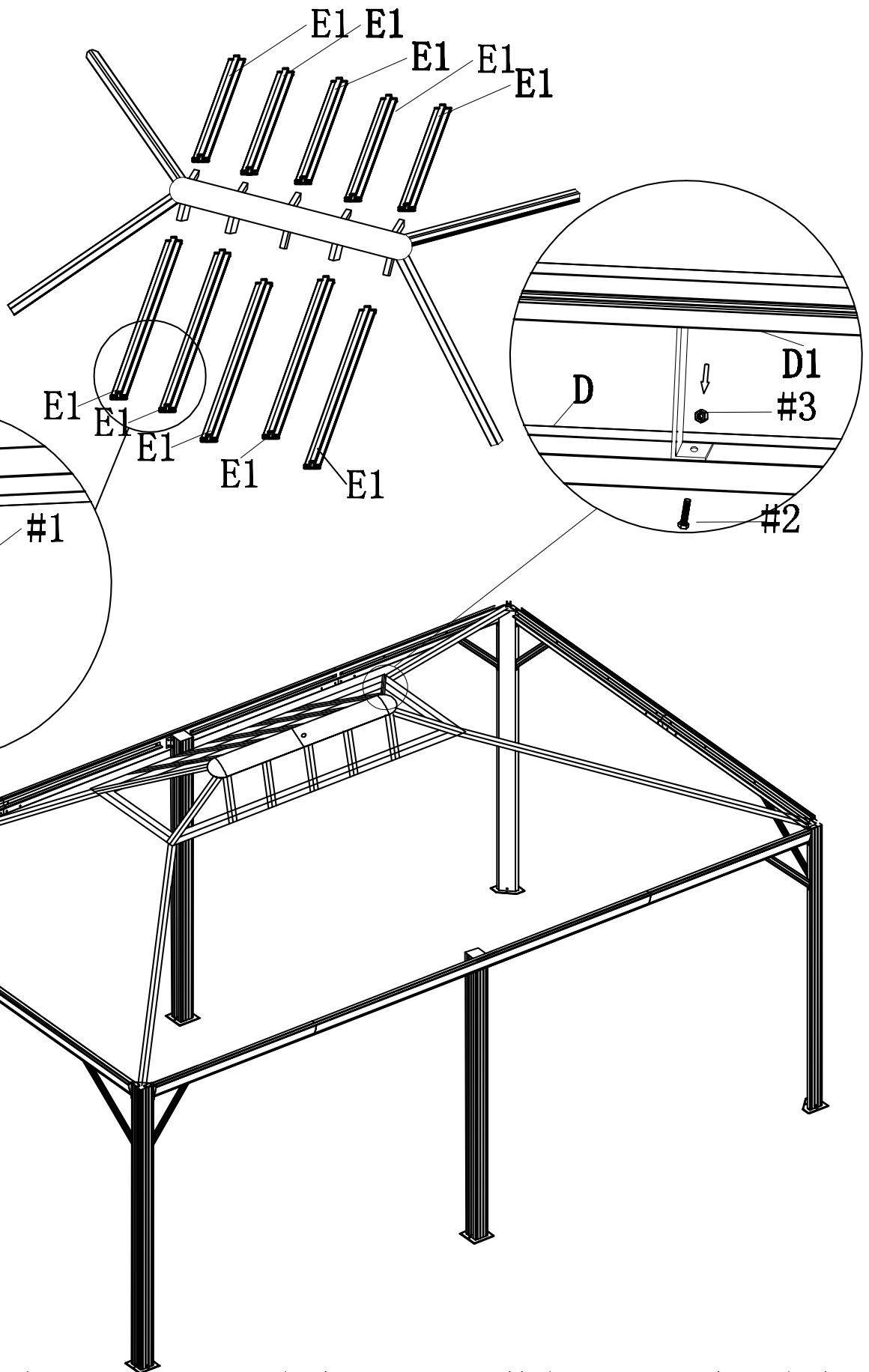


End the two pieces of P3, overlap the two holes and fix at the top holes of N3 and N4 through #1. Install the top, connect the top cover (P2) with the top fork (N3) through the bolts (#2), then insert the small jacking pipe (D1) into the four corners of the top fork (N3), and the rectangle rises towards the sky, connect through the snap, hear a click, and finally install the C type (L) at the hole in the bottom of the four small jacking pipe (D1) through the bolt (#1).

Assembly Step

STEP 11

E1*10
L*10
#1*10

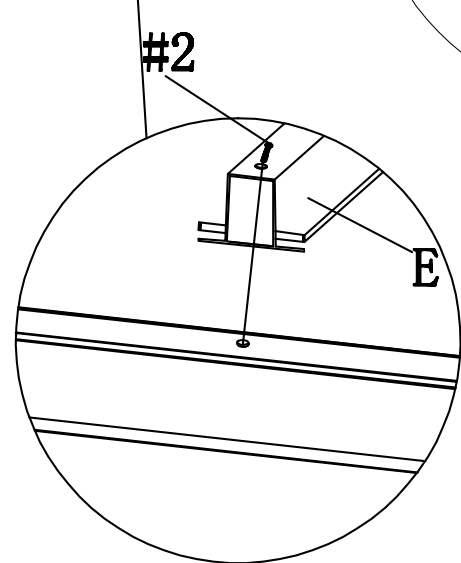
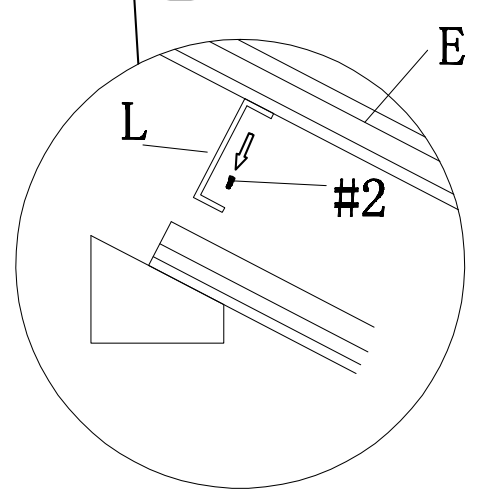
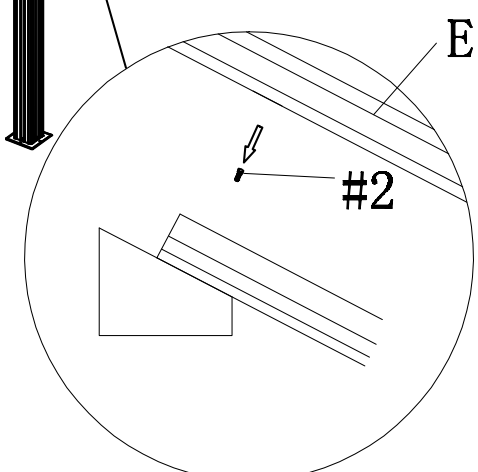
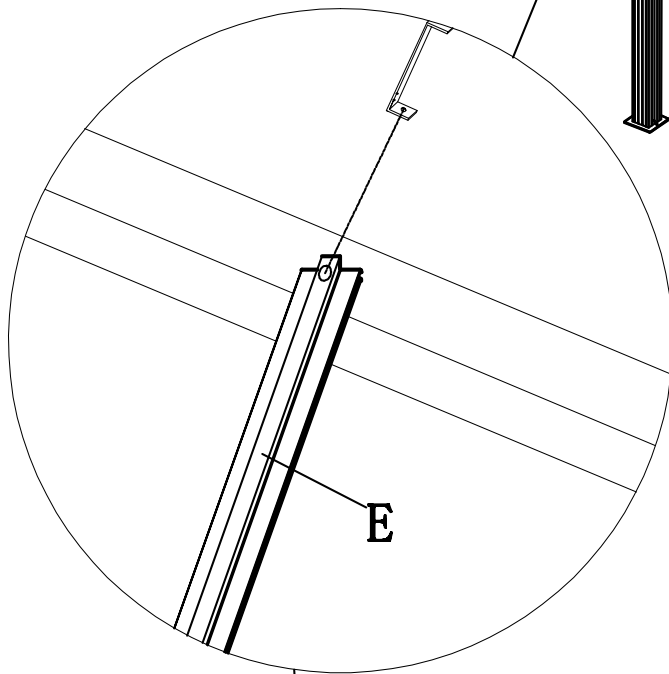
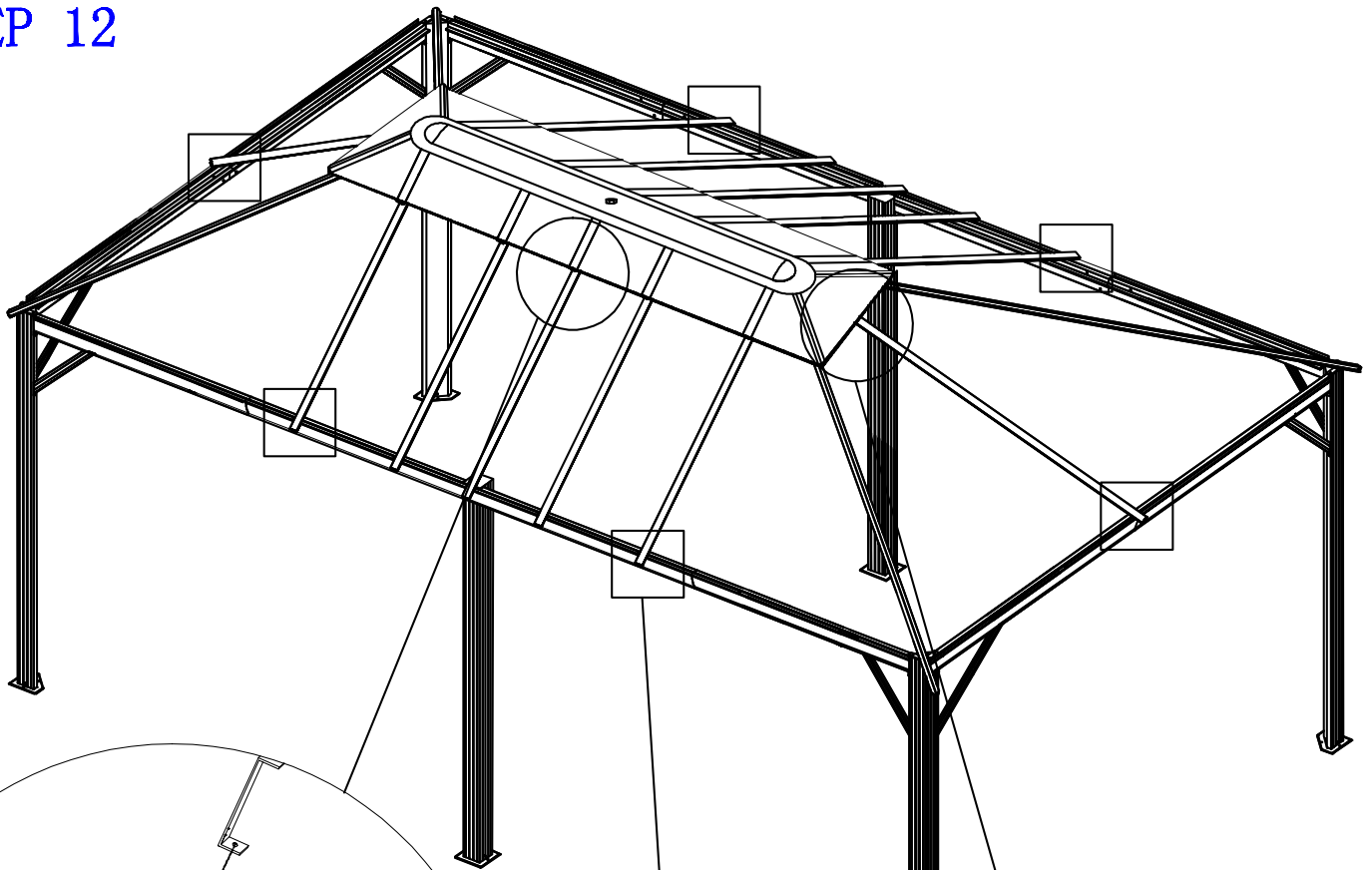


Place the small top of the previous step on the large top installed in step 8, place the bottom hole of the four C-type(L) installed on the small top on the first hole of the two holes of the top pipe(D), remove the bolt(#2) and the nut(#3) installed in the first step, and bolts(#2) the nut(#3) through the bottom hole of the C type(L) and the first top hole of the header(D). As in step 10, insert (E1) into the remaining tube of the top and install another C-type(L).

Assembly Step

STEP 12

E*12
#2*18

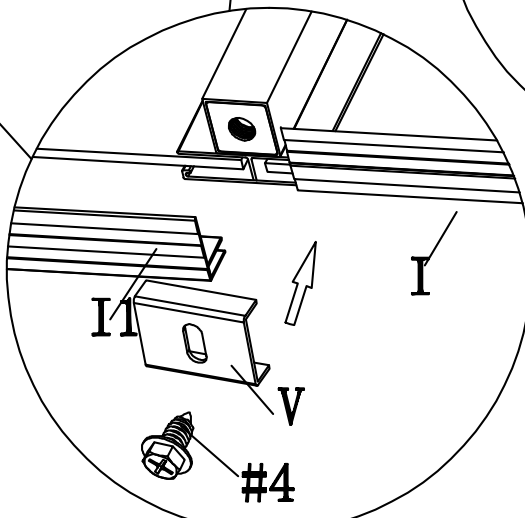
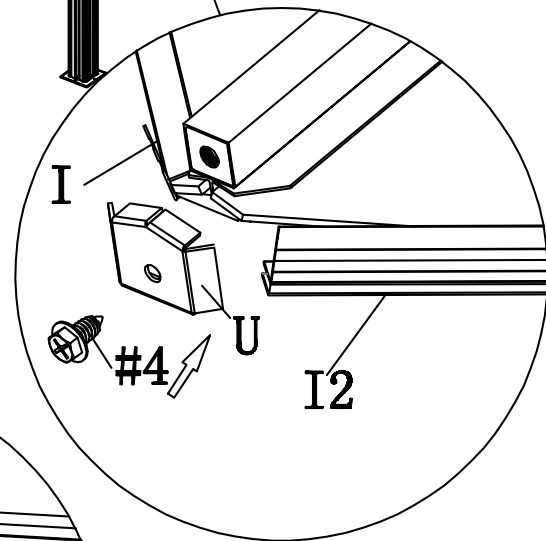
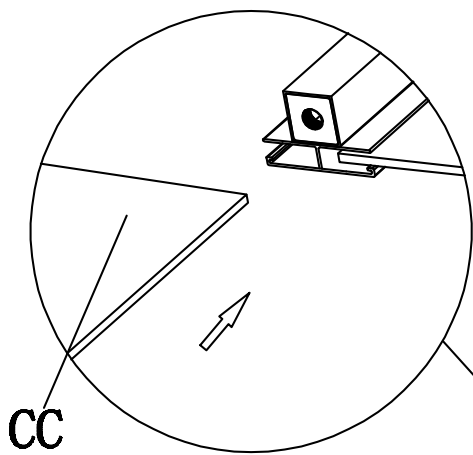
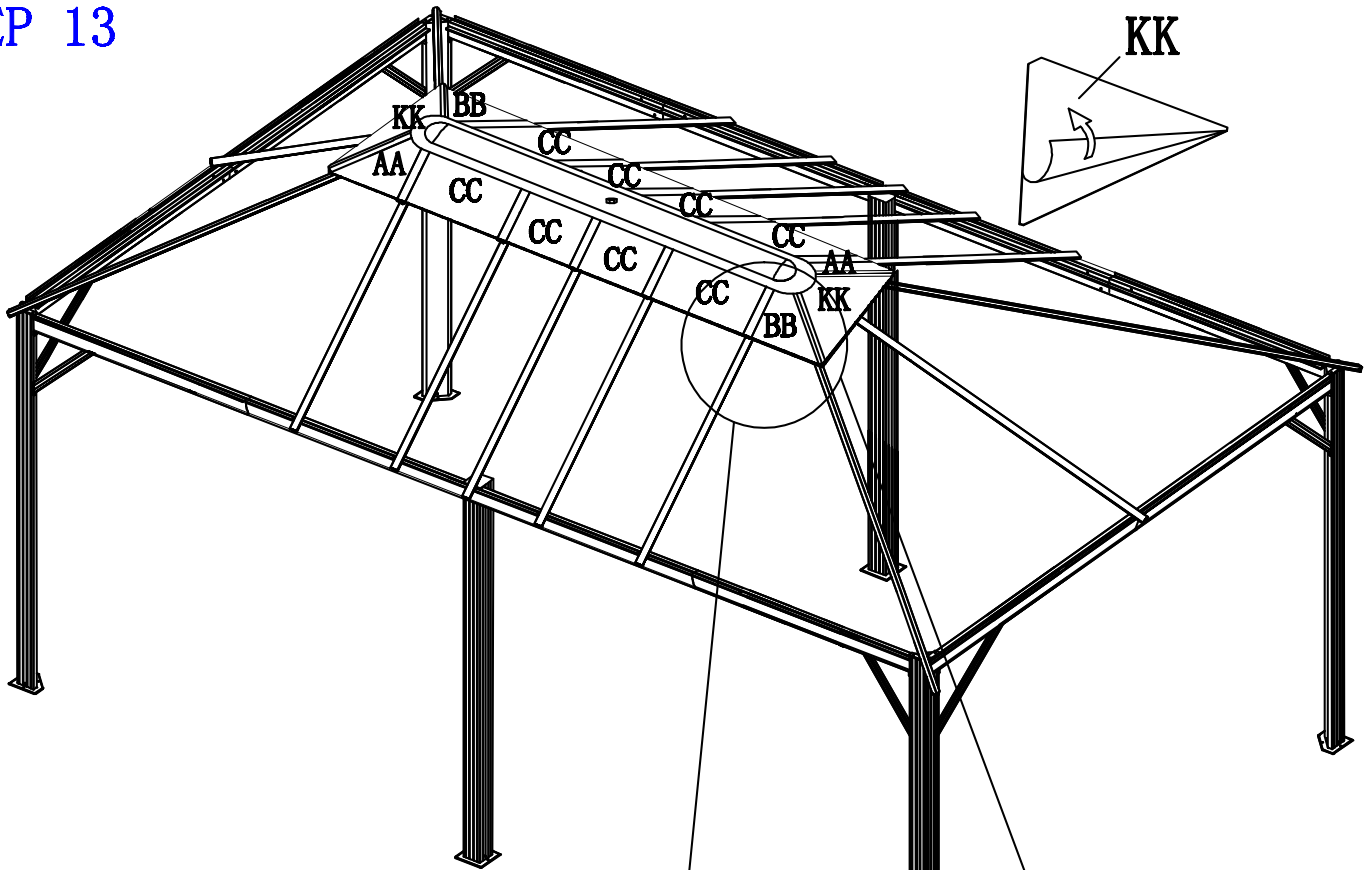


Use bolts(#2) through the hole at the bottom of C-type(L) and the one end of the middle tube, fixed to the hole on the top of the top frame(Q) and the other end over the beam. In addition, the two short-side installations do not need to cross the C-type(L).
The box position at the bottom of the E must be fixed to the beam with (#2).

Assembly Step

STEP 13

AA*2
BB*2
CC*8
KK*2
I*4
I1*8
I2*4
U*4
V*10
#4*14



Insert roof panels (AA), (BB), (CC) and (KK) into the groove of roof tubes (D1) and (E1).

As illustrated, insert roof edges (I), (I1) and (I2) at the ends of roof panels of the small roof. As illustrated fix the roof corner brackets (U) and side roof brackets (V) by using (#4) bolts. In order not to damage inserts, do not over tighten the bolts.

Assembly Step

STEP 14

GG*8
FF*4
HH*4
DD*4
EE*4
II*4
JJ*4
F1*4
F2*4
F3*4
F4*4
#2*22

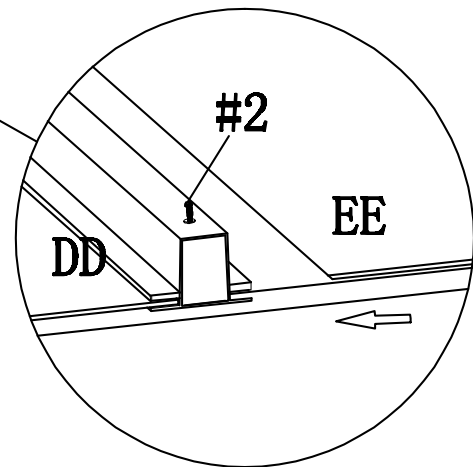
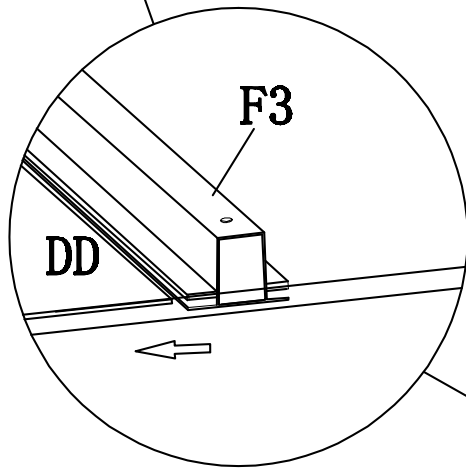
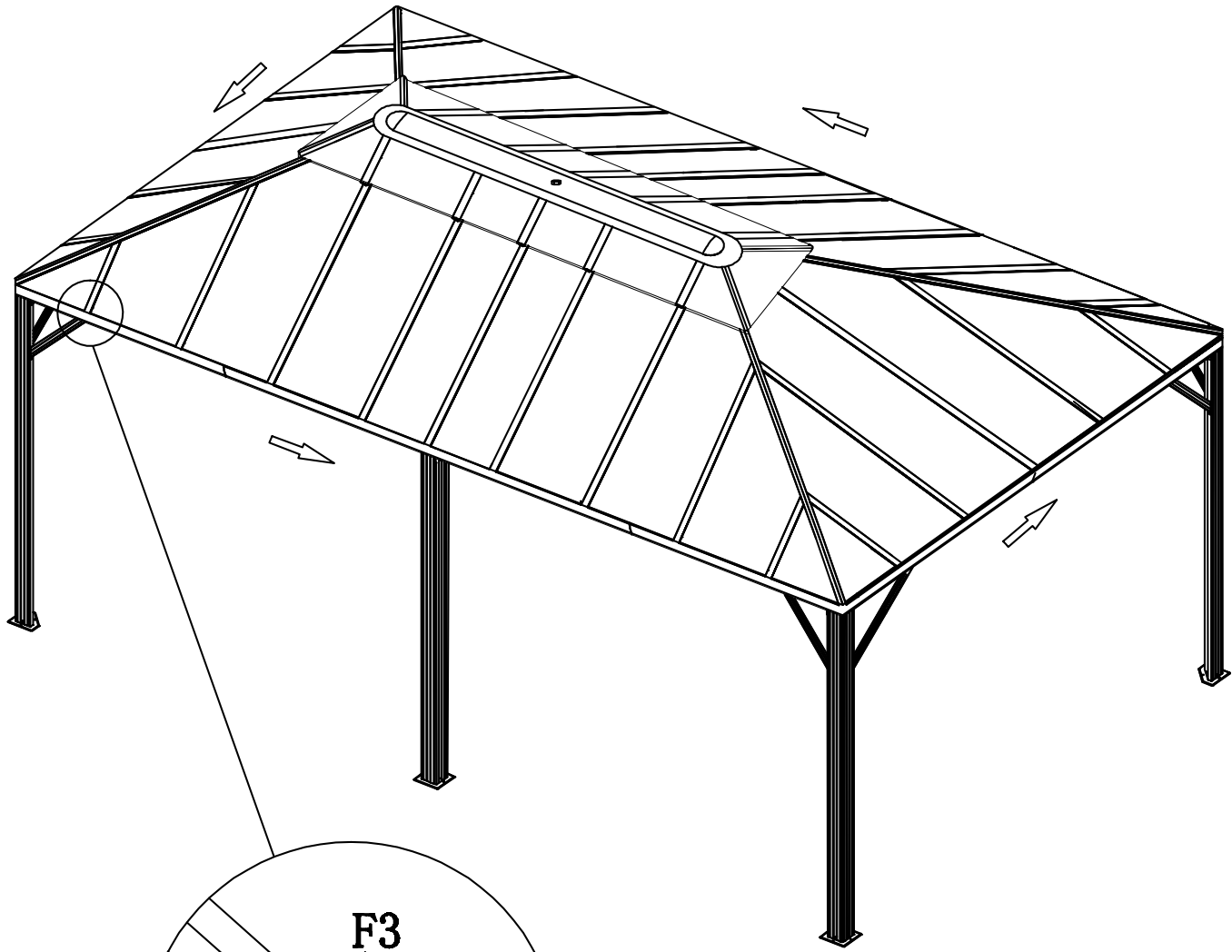
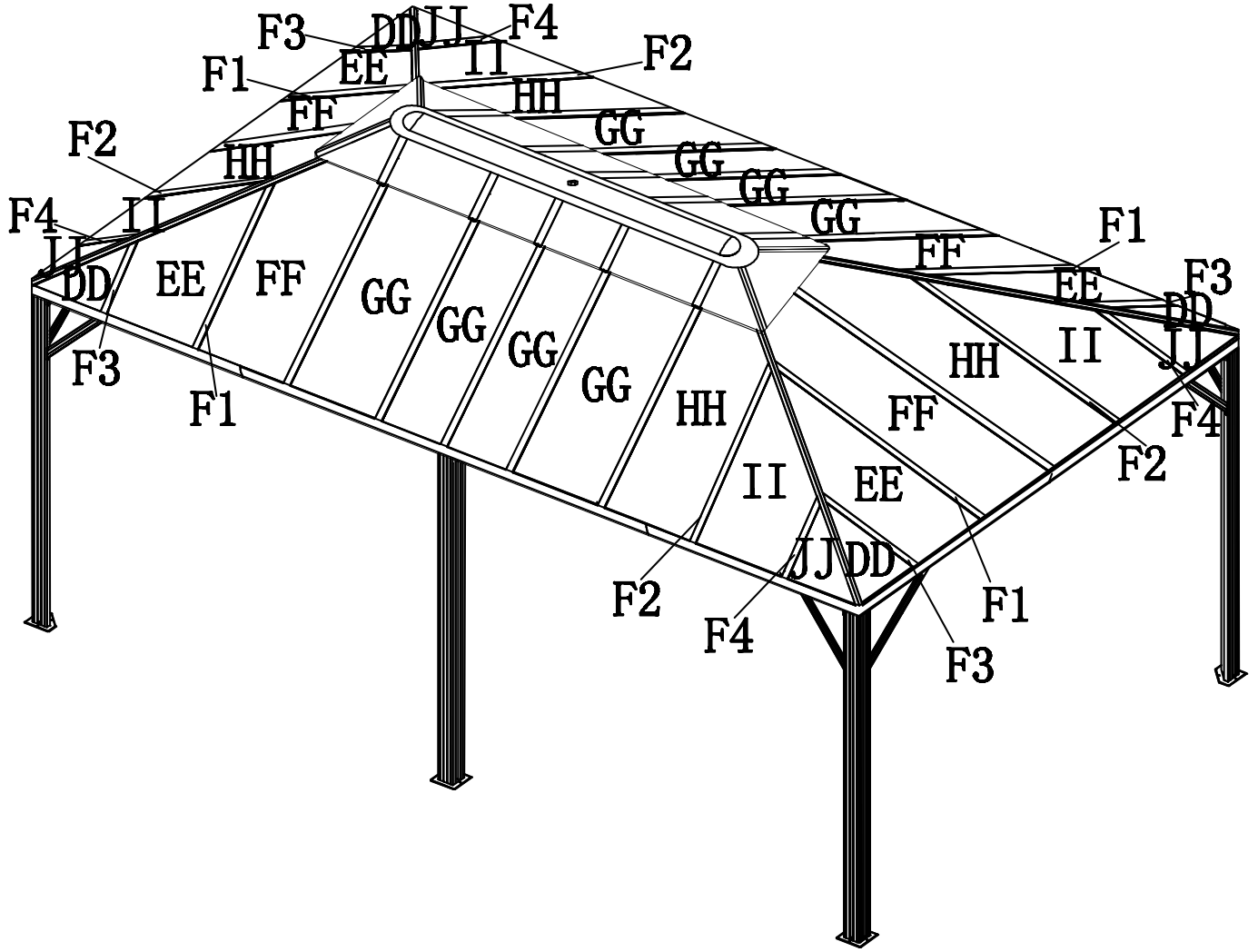


Plate and pipe slot position to see step 15.

Card the board (DD) into the left side slot at the illustrated position, then card the short pipe slot (F3) into the right side of the board (DD), fix it with screw (#2), and install the right board (EE) with four sides in order according to the above steps.

STEP 15

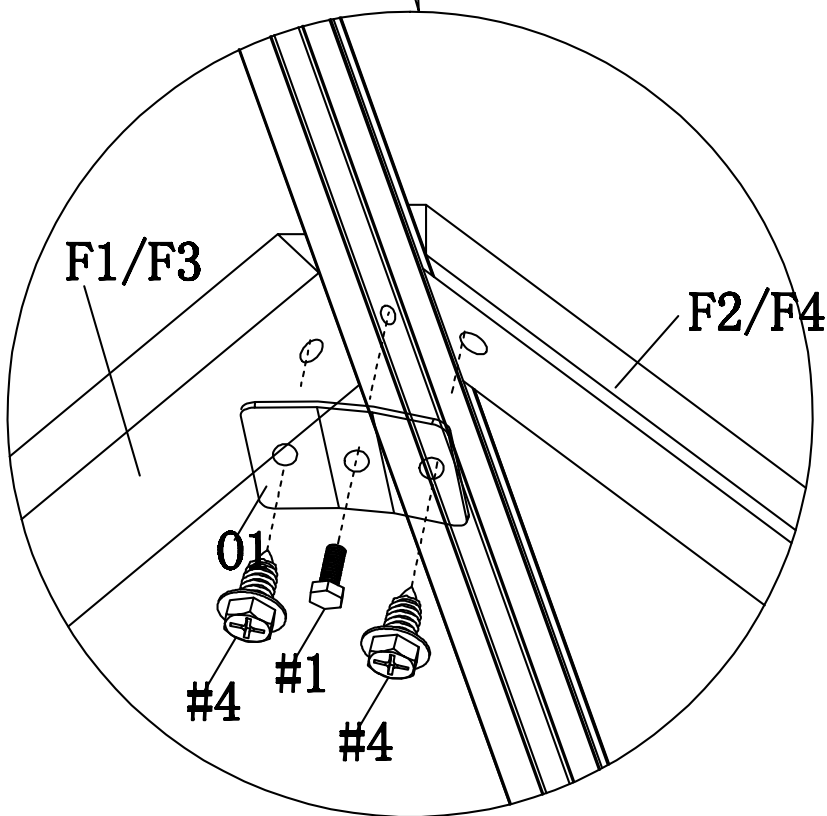
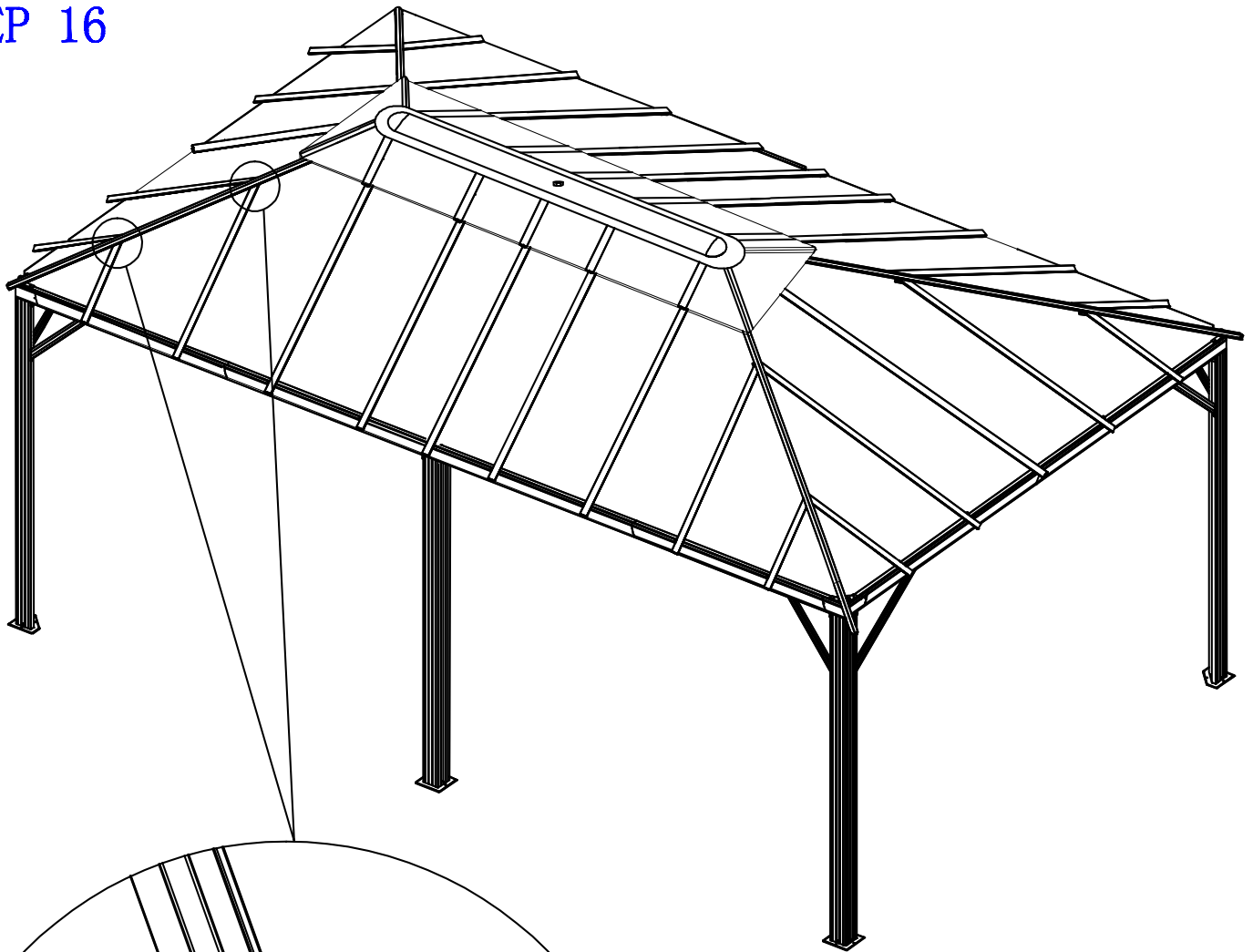


Position plot at step 14.

Assembly Step

STEP 16

01*8
#1*8
#4*16

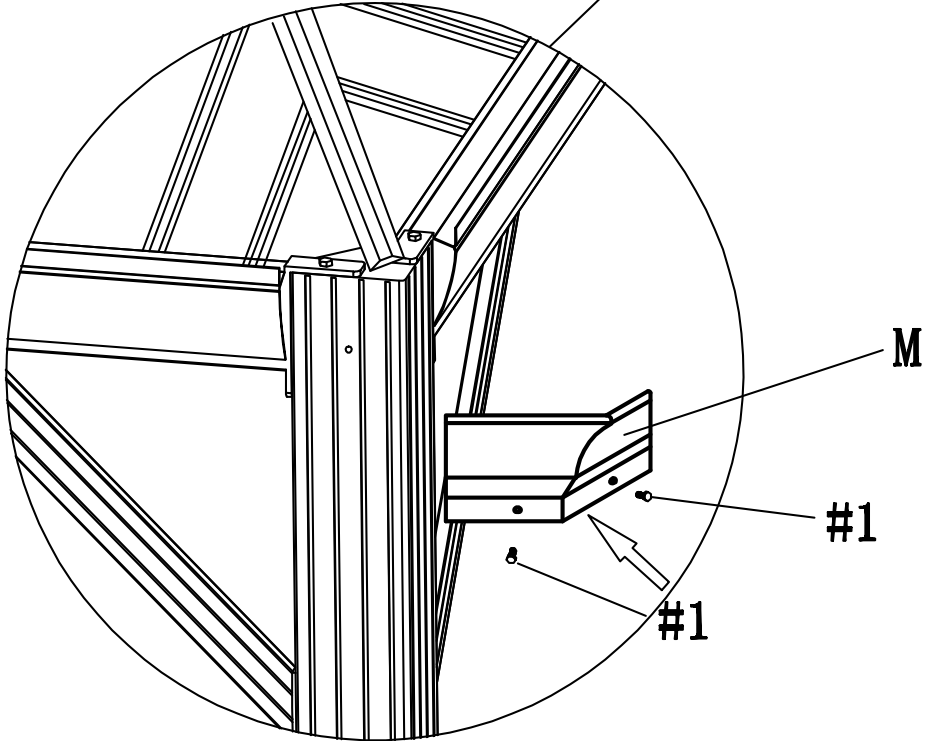
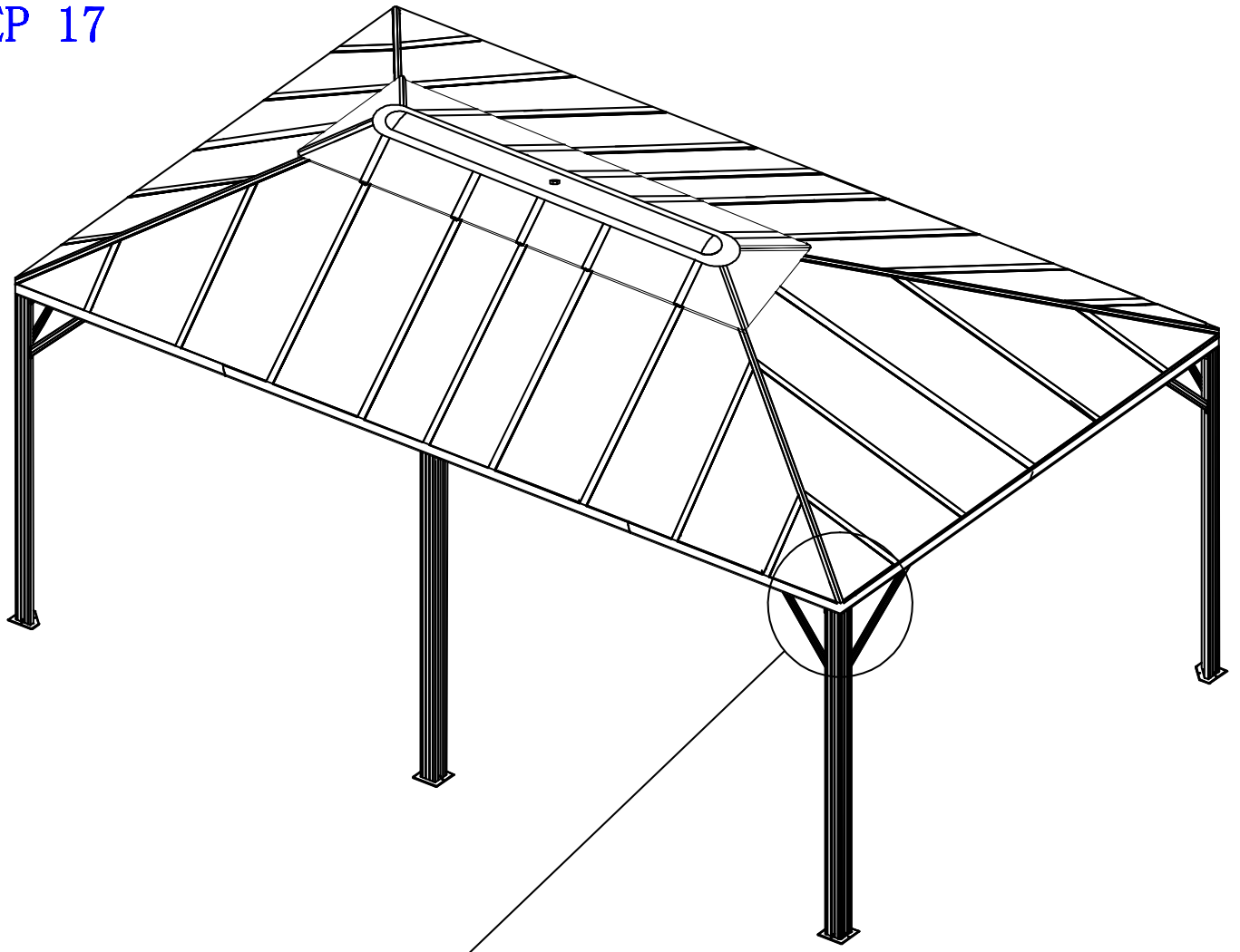


Install the three holes(01) on the two holes at the bottom of the pipe jacking(D) by bolts(#1). Then pass the screw (#4) through the holes on both sides of the three-hole plate (01) and secure it to the small holes on the top of (F1) 、 (F2)、 (F3)、 (F4).

Assembly Step

STEP 17

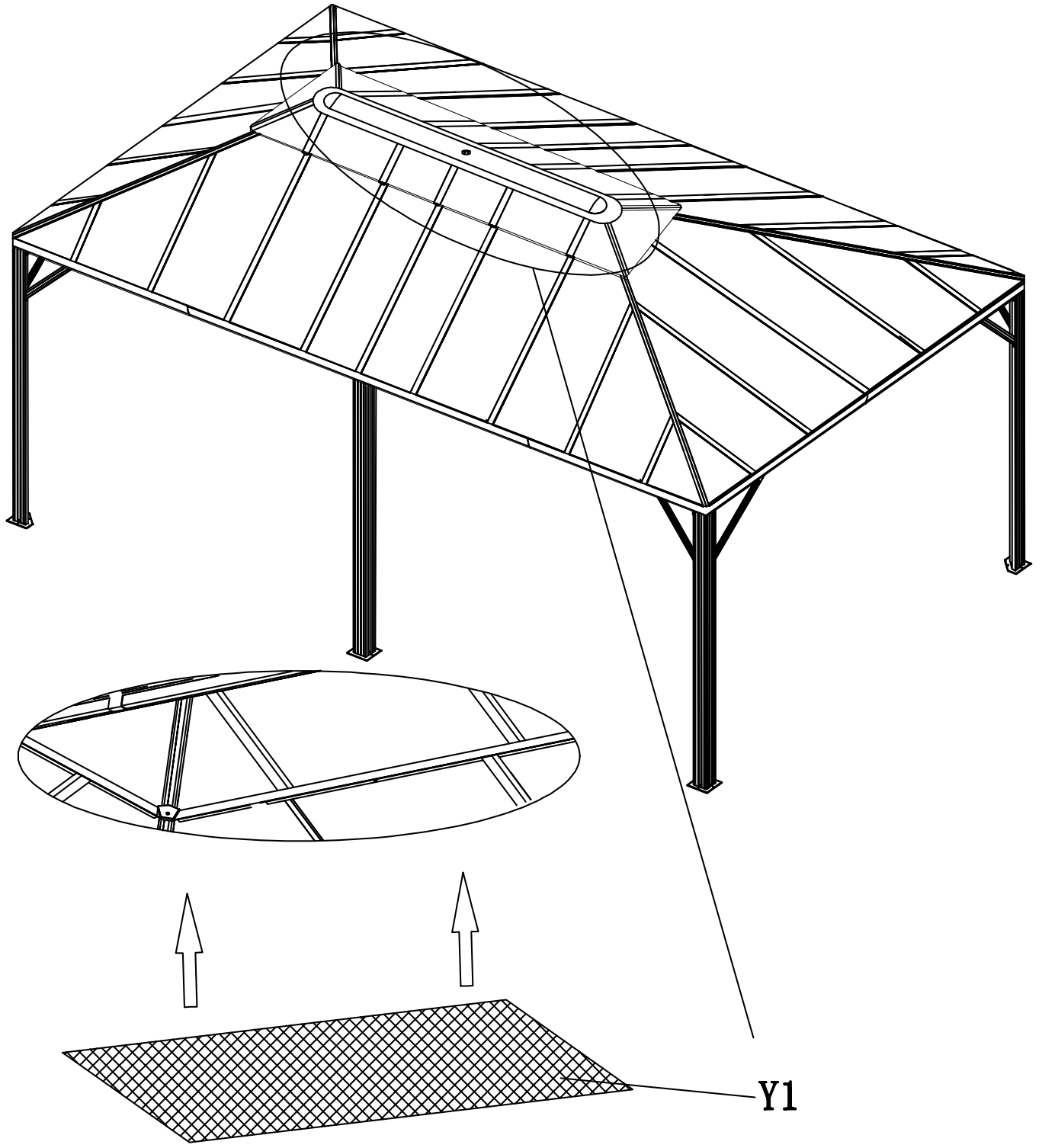
M*4
#1*8



Install the angle as shown.

STEP 18

Y1*1

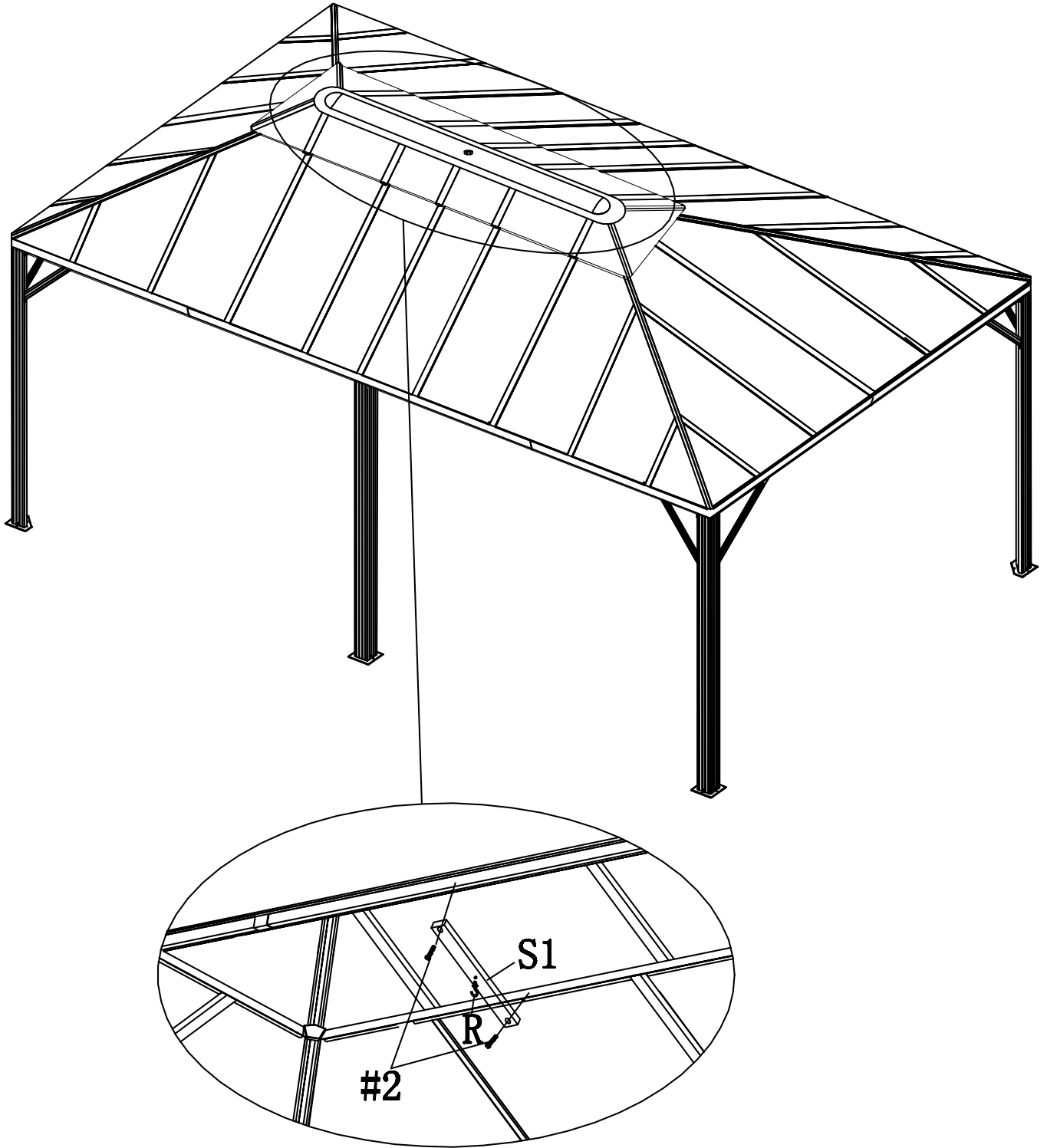


Put the small gauze net flat to the bottom of the top frame through Velcro.

Assembly Step

STEP 19

S1*3
R*3
#2*6

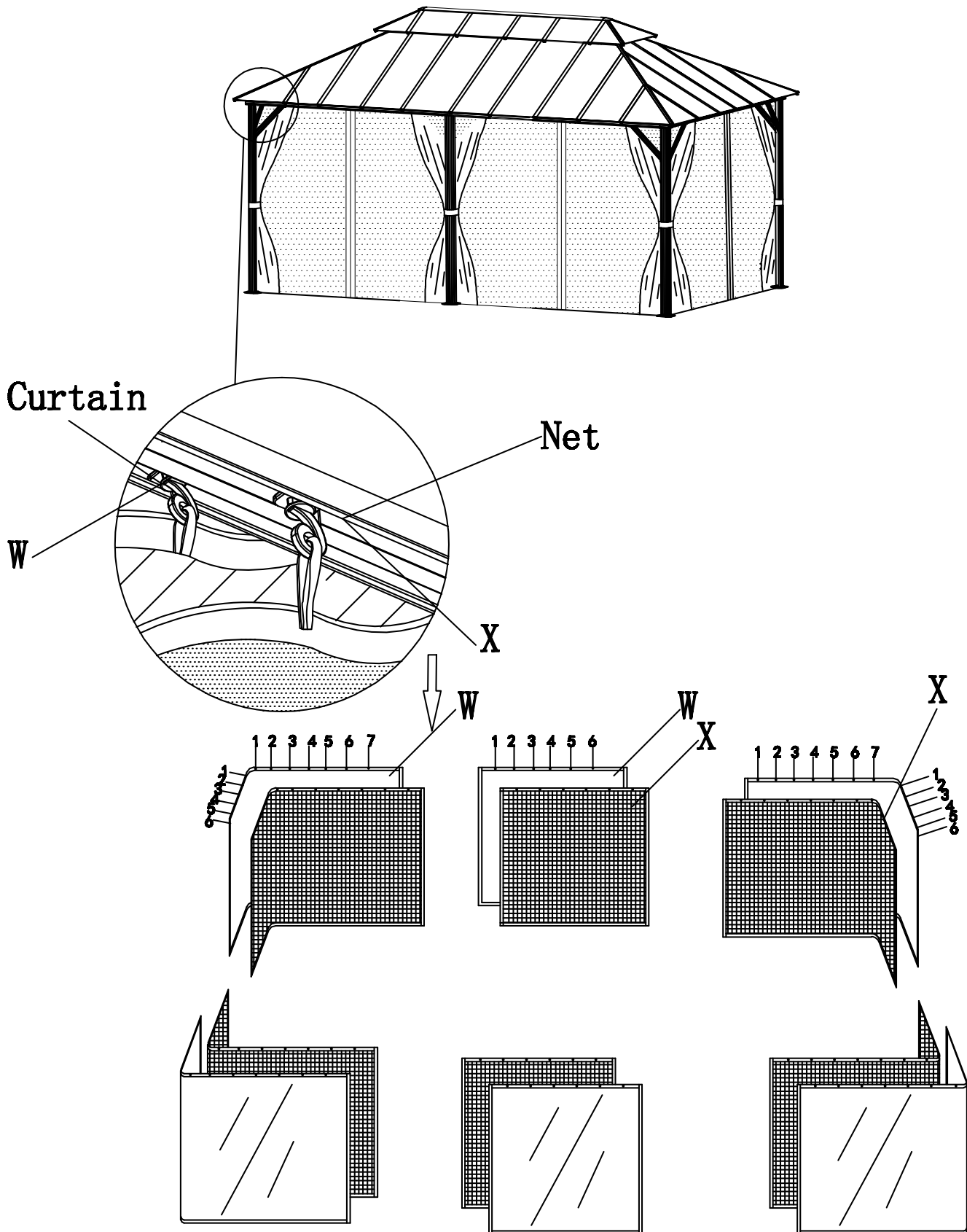


First install the lamp hook R in the center of S1, and then put the lamp hook down, align the two holes at both ends of S1 with the holes at the bottom of the top frame Q, fixed with #2, note that using #2 fixation is possible to top the top frame down, for easy installation.

Assembly Step

STEP 20

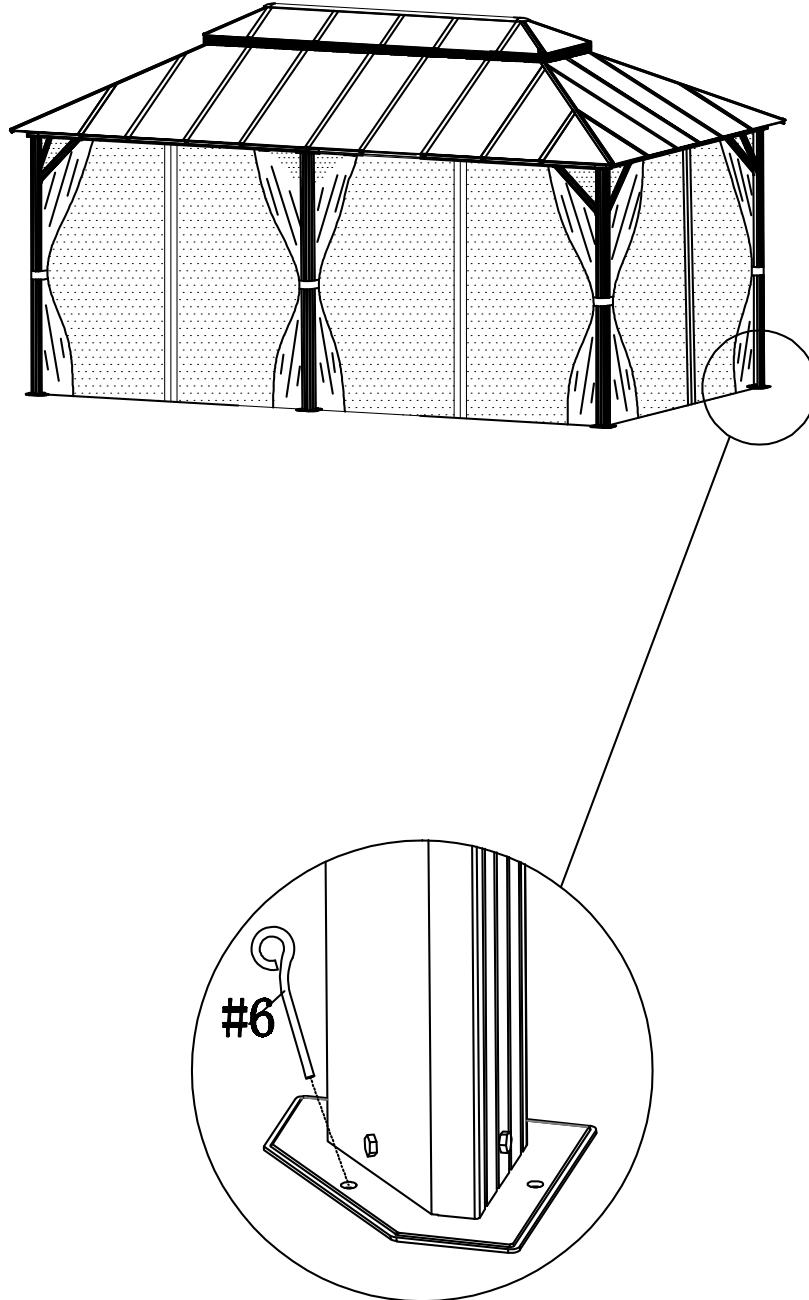
W*1
X*1



As shown in the figure, hang the cloth and gauze net through the hook on the guide rail.
Please note the cloth cloth on the outside and the mesh on the inside.

STEP 21

#6*6



Use the stakes (#6) for ground fixing. Take note the anchoring devices to use may vary with ground status. Additional anchoring devices are not provided.

