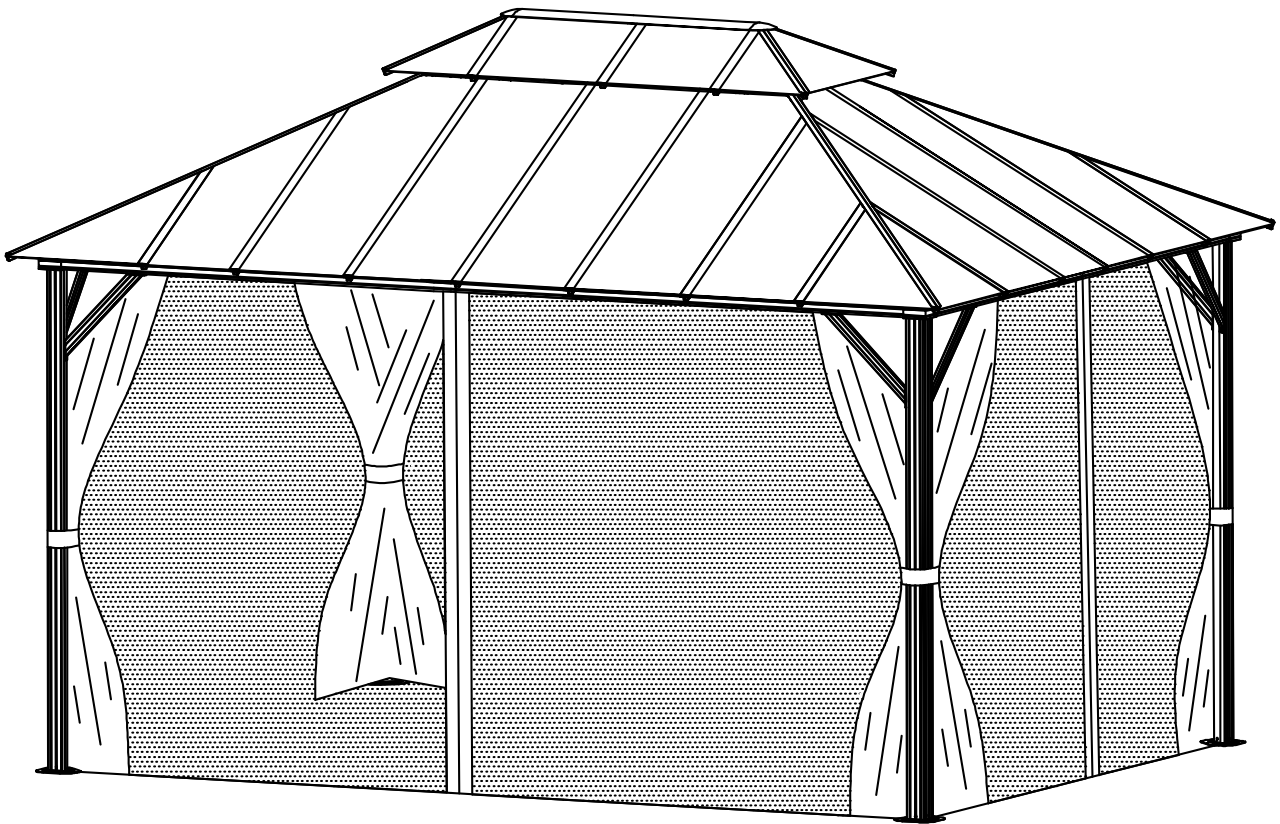


ZHG-043 12'X16'ALUM GAZEBO TWIN LAYER ALUM ROOF/DOUBLE ROOF



The gazebo comes with 4 boxes. Sometimes they may be delivered on the different day, please wait 2-3 more days or contact us for help.

Safety Information



WARNING: Keep all flame and heat sources away from this tent fabric. This tent is made with fabric that meets CPAI-84 specification for flame resistance. It is not fire proof. The fabric will burn if left in continuous contact with any flame source. The application of any foreign substance to the tent fabric may render the flame-resistance properties ineffective.



WARNING: When assembling and using this product, basic safety precautions must always be followed to reduce the risk of personal injury and damage to product or surroundings.



WARNING: This gazebo is NOT a permanent structure and is designed for sunshade and privacy only. The gazebo should only be used in ideal weather conditions. You MUST completely disassemble the gazebo prior to any extreme weather such as heavy thunder storms, hurricanes and/or ice/hail storms. Failure to do so may result in structural or property damage.



CAUTION: Always install the gazebo on level ground utilizing the ground stakes provided for stability. It is not recommended to permanently anchor this gazebo to a hard surface such as a wood deck or concrete floor.



CAUTION: Gazebo roof is weather resistant but may leak during precipitation. It is recommended to remove the roof boards if expecting ice or hail storms.



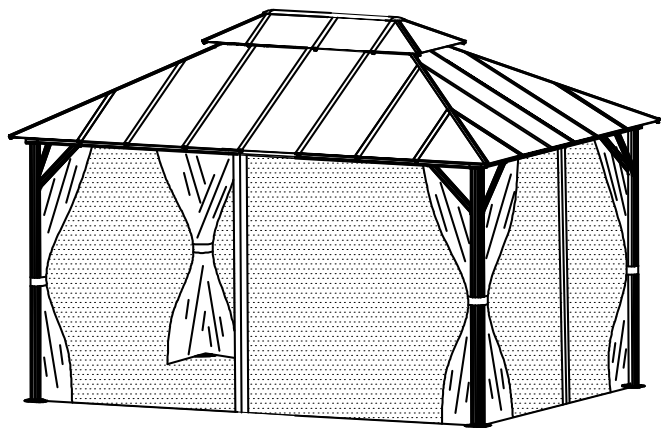
CAUTION: Keep all children and pets away from assembly area. Begin assembly not less than 6 feet from any obstruction such as fence, garage, house, overhanging branches, clothes line or electrical wires. Some parts may contain sharp edges, wear protective gloves if necessary.

Care Instructions





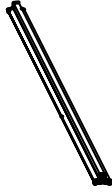









Before using, wipe with a clean, dry cloth. Do not use bleach or solvents. Treat the frame with liquid wax for maximum protection against UV light and salty, damp air. Clean the roof panels periodically with a mild soap and water. Do not use harsh chemical cleaners as this will damage the panel finish. Please properly tighten all hardware and perform periodic inspections during usage for cracked welds or loose nuts or bolts.

ATTENTION:












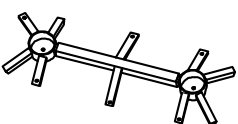

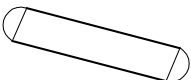

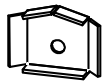

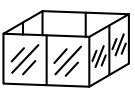
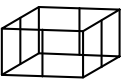






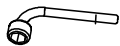
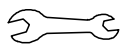
1. Please fix all the screws first, do not lock off, after assembling is fully completed, lock all at once finally.
2. Please check the manual carefully and make sure you have received all the parts.
3. If there is any missing, please let us know the letter of the parts you need.
4. If there is any damage, please send clear photos to us, we will check and offer you best solution soon.





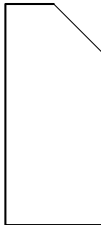


Part List (BOX A)

A  4PCS	B5  2PCS	B6  2PCS	C  8PCS	D  4PCS
F3  4PCS	F4  4PCS	G  4PCS	G2  4PCS	J  4PCS
L  10PCS	M  4PCS	Q  2PCS	Q3  2PCS	

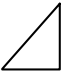
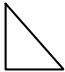

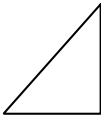
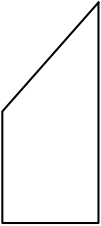
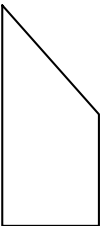
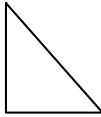



Part List (BOX B)

B1 	B2 	D1 	E 	E1 
2PCS	2PCS	4PCS	8PCS	6PCS
F1 	F2 	I 	I1 	I2 
4PCS	4PCS	4PCS	4PCS	2PCS
K 	N2 	O1 	P2 	R 
4PCS	1PC	8PCS	1PC	2PCS
U 	V 	W 	X 	Y1 
4PCS	6PCS	1PCS	1PCS	1PCS
#1 	#2 	#3 	#4 	#5 
134PCS	38PCS	16PCS	26PCS	4PCS
#6 	#7 			
1PCS	1PCS			

Part List (BOX C)

FF 	GG 	HH 		
4PCS	4PCS	4PCS		

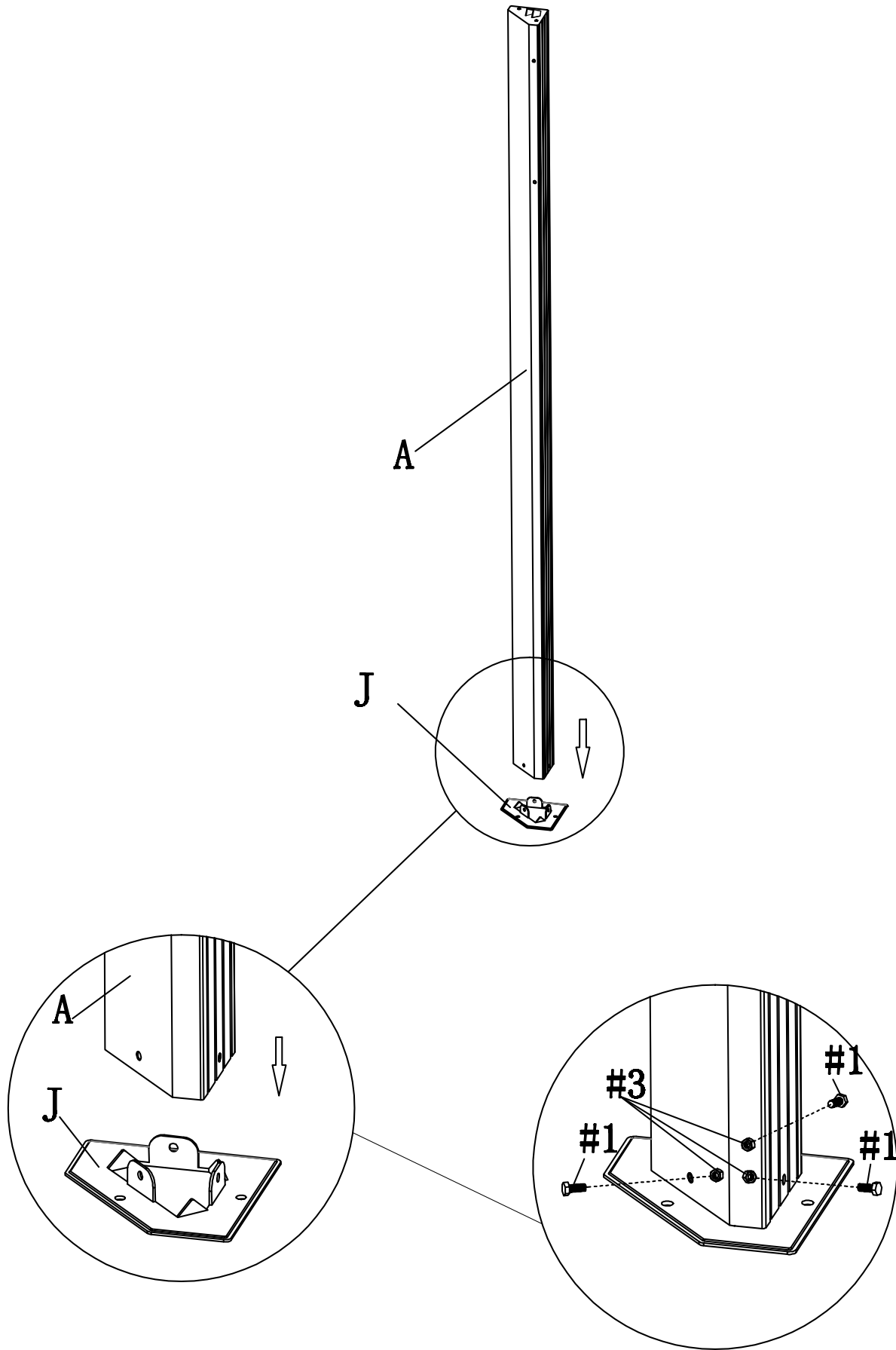
Part List (BOX D)

AA 	BB 	CC 	DD 	EE 
2PCS	2PCS	4PCS	4PCS	4PCS
II 	JJ 	KK 		
4PCS	4PCS	2PCS		

Assembly Step

STEP 1

A*4
J*4
#1*12
#3*12

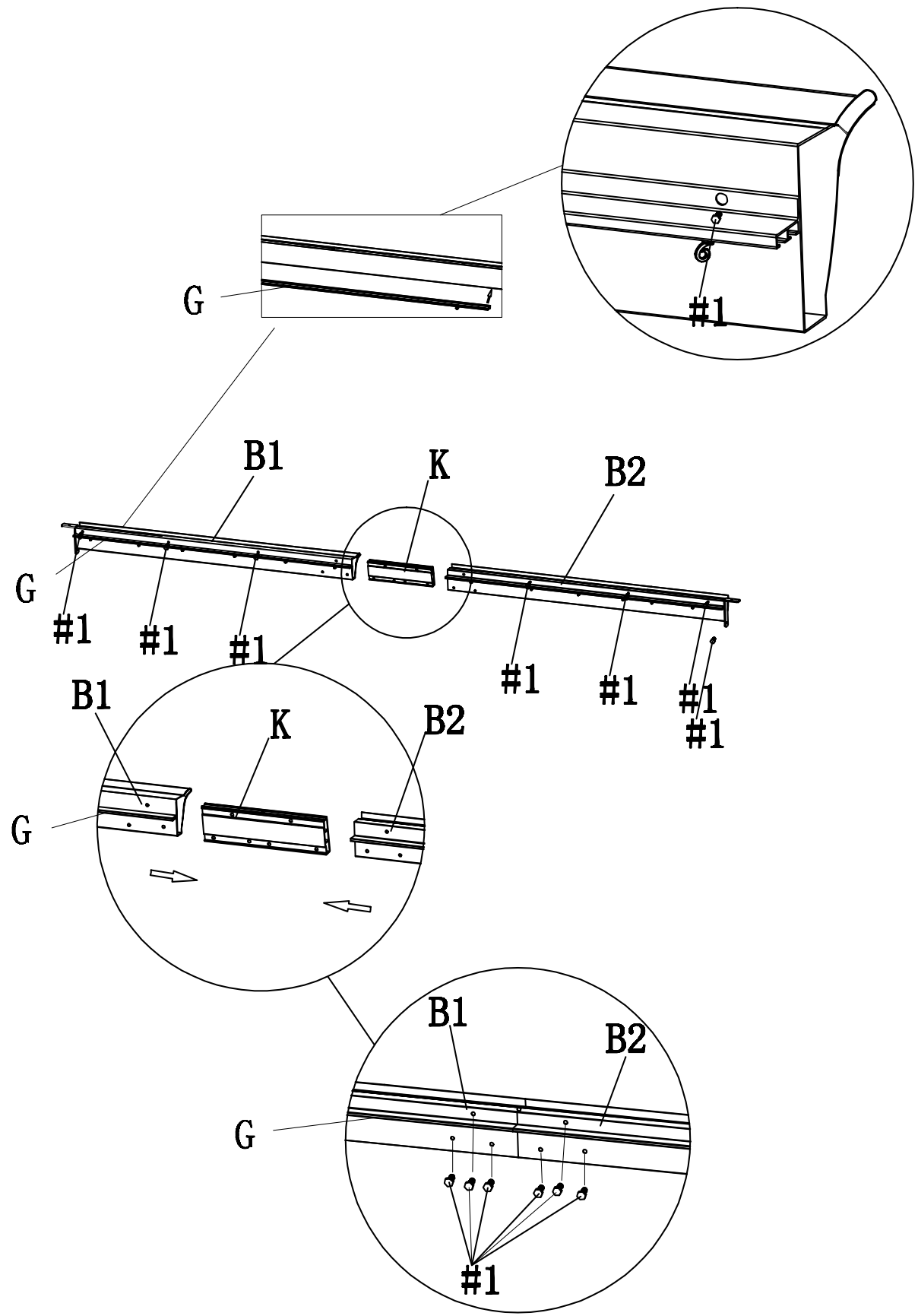


Install a base flange(J) to the bottom of a post(A) using bolts(#1) and nuts(#3). Repeat the step for all other A posts.

Assembly Step

STEP 2

B1*2
B2*2
K*2
G*4
#1*24

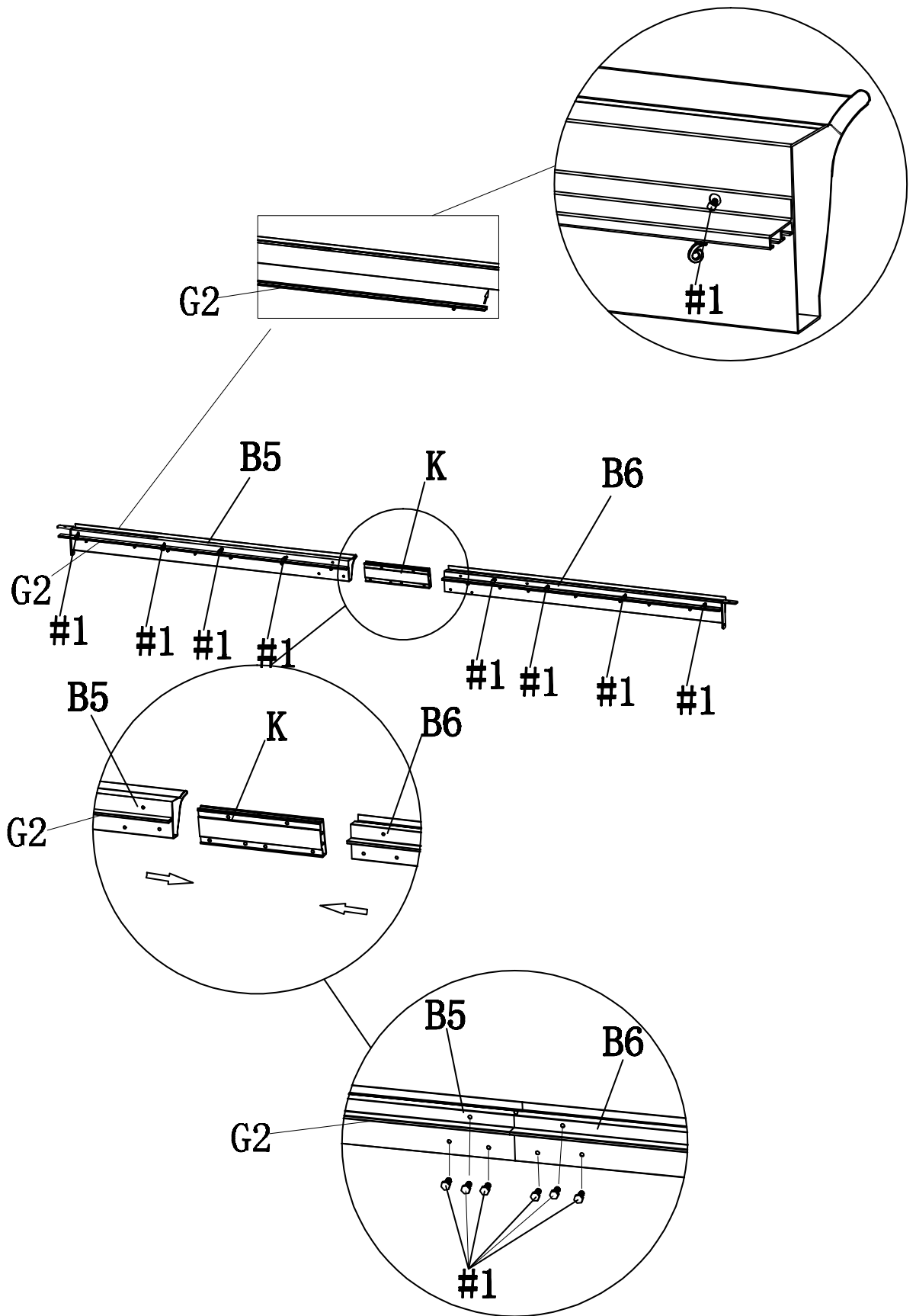


Join crossbars(B1) and (B2) by using connector(K) and bolts(#1).
Install the rail (G) through the bolts (#1) while assembling the crossbars.

Assembly Step

STEP 3

B5*2
B6*2
K*2
G2*4
#1*28

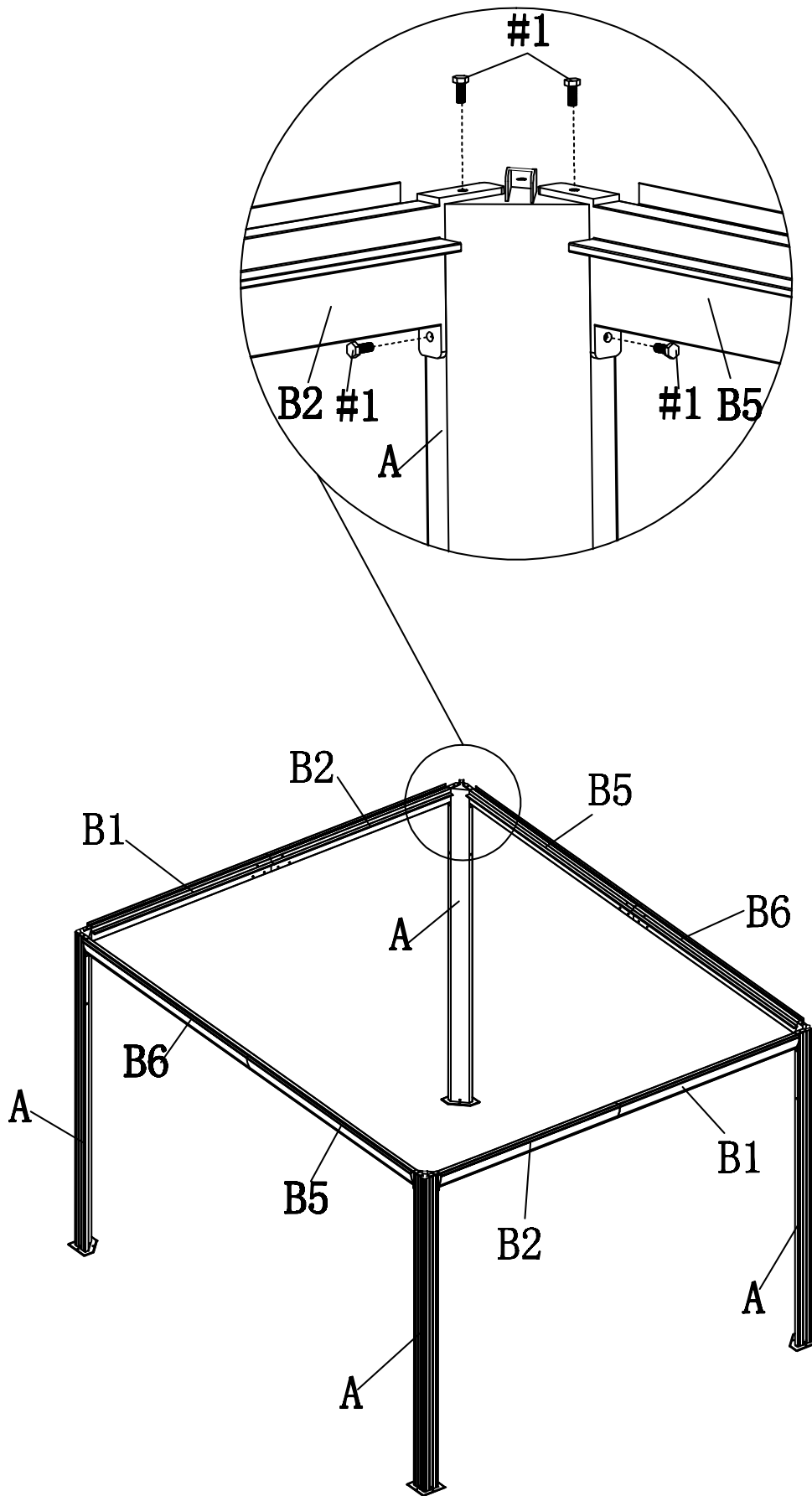


Join crossbars(B6) and (B5) by using connector(K) and bolts(#1).
Install the rail (G2) through the bolts (#1) while assembling the crossbars.

Assembly Step

STEP 4

#1*16

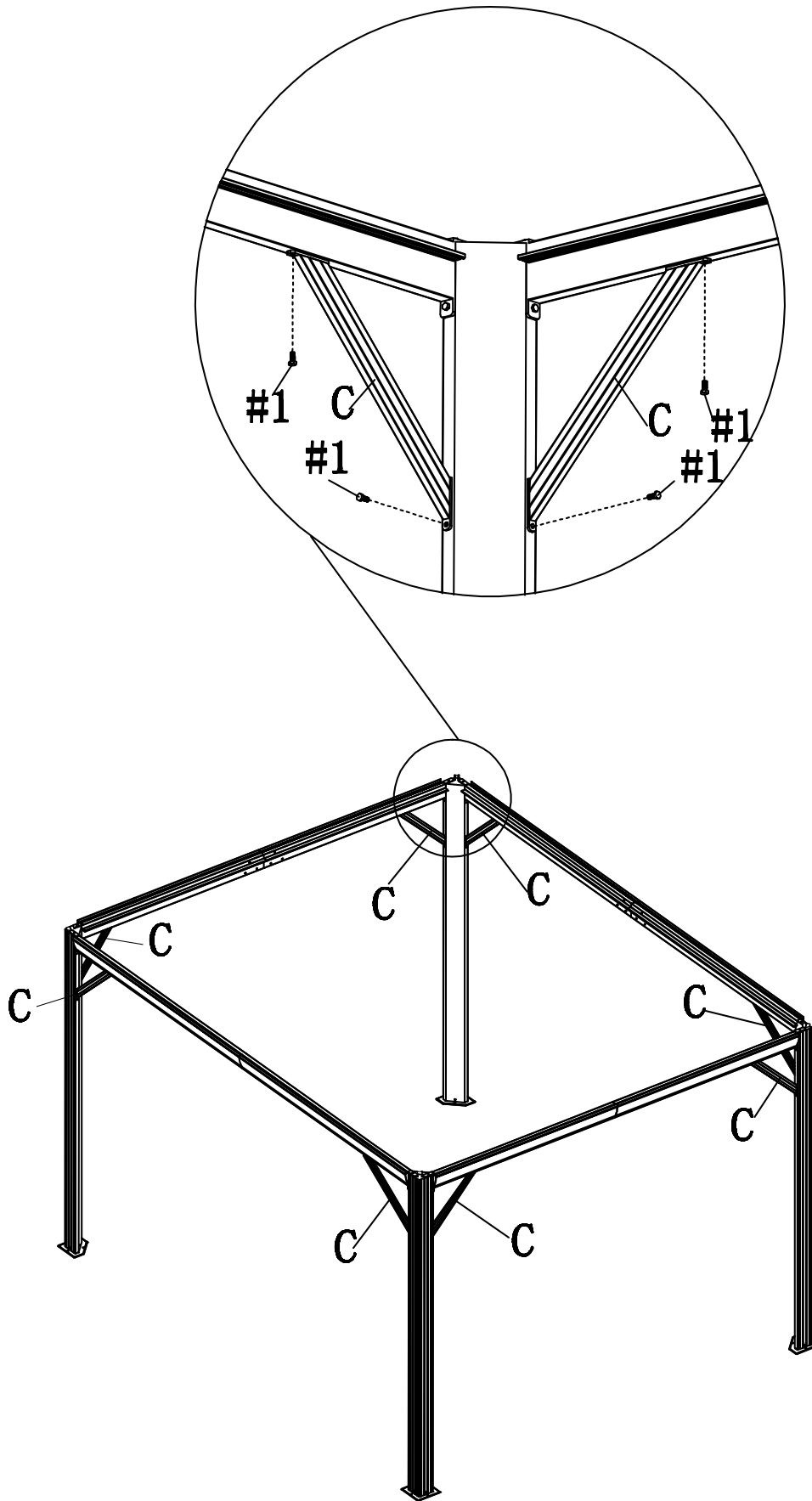


As shown, fix the crossbars assembly (B1)/(B2) and (B5)/(B6) to posts (A) by using bolts (#1).

Assembly Step

STEP 5

C*8
#1*16

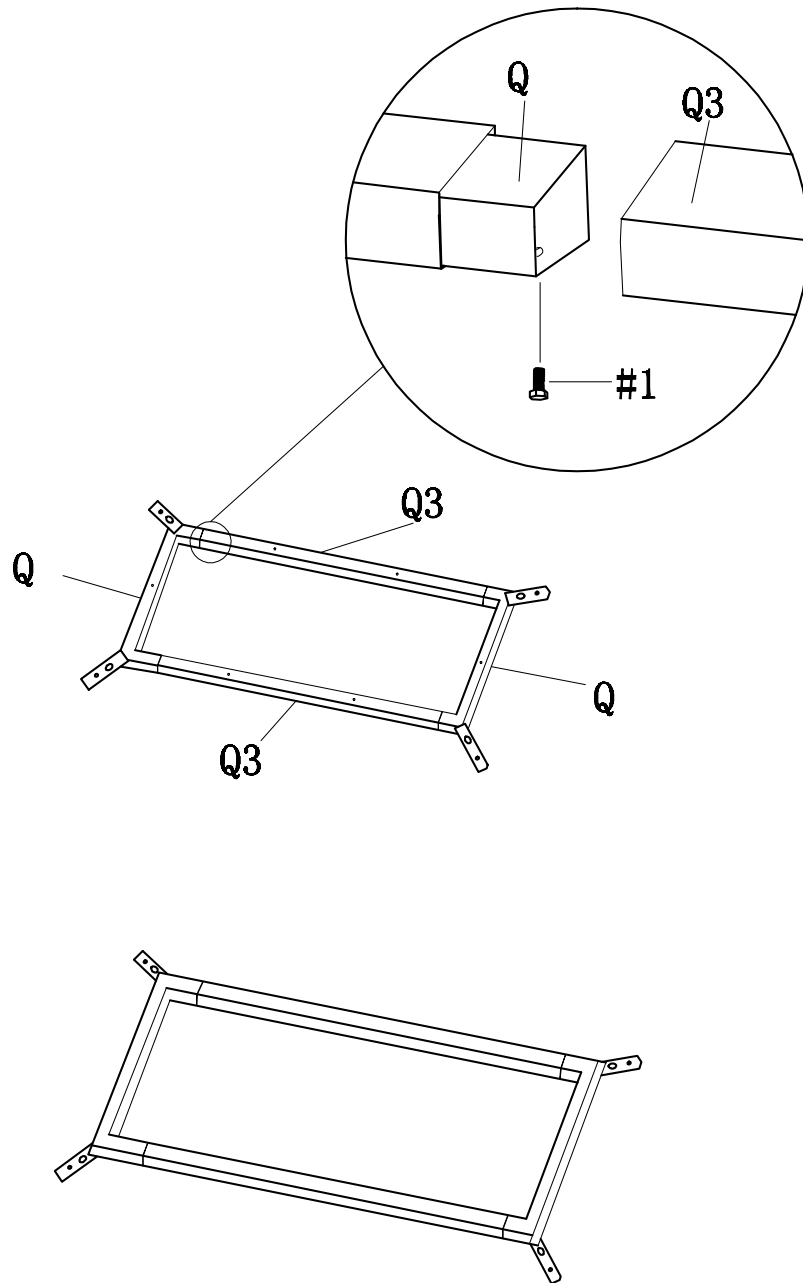


As shown, fix the braces (C) to posts (A) and crossbars assembly (B1)/(B2) and (B5)/(B6) by using bolts (#1).

Assembly Step

STEP 6

Q*2
Q3*2
#1*4

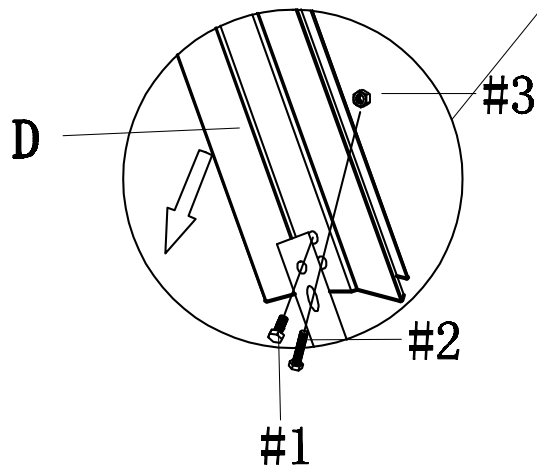
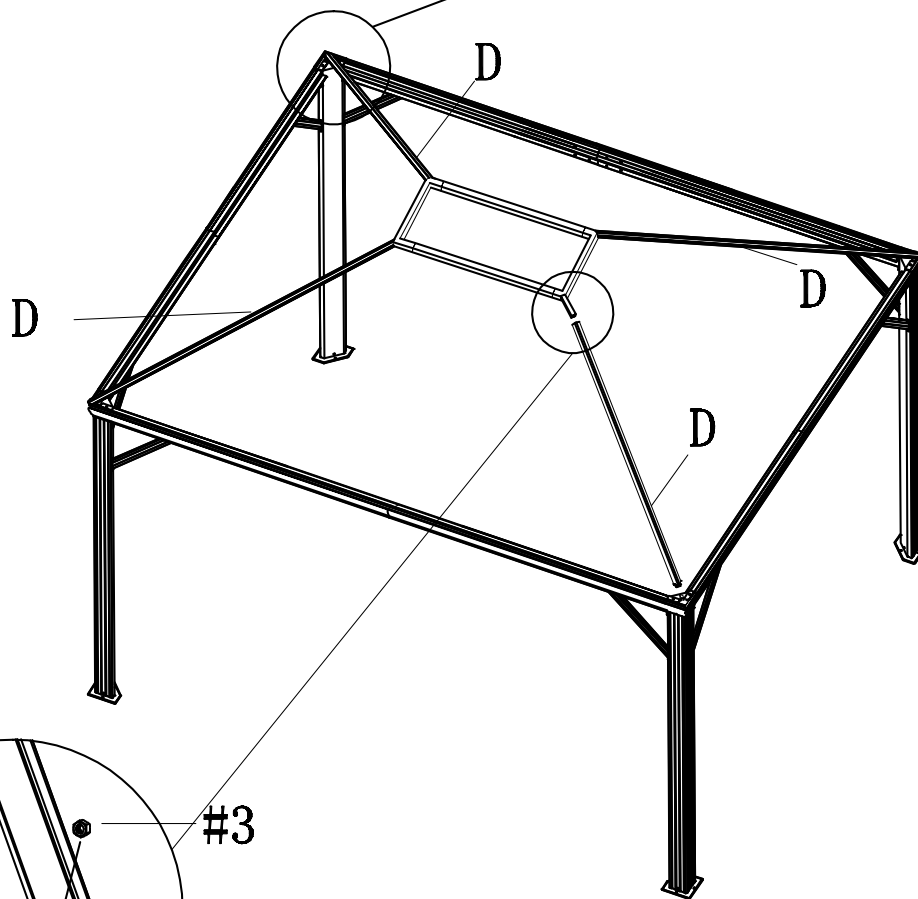
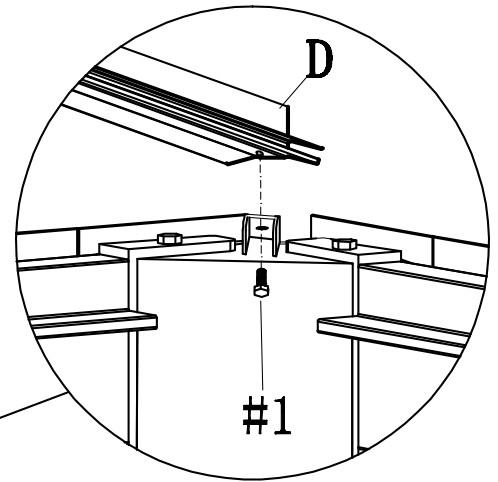


Assemble the top frames (Q) and (Q3) and secure them through the bolts (#1).

Assembly Step

STEP 7

D*4
#1*8
#2*4
#3*4

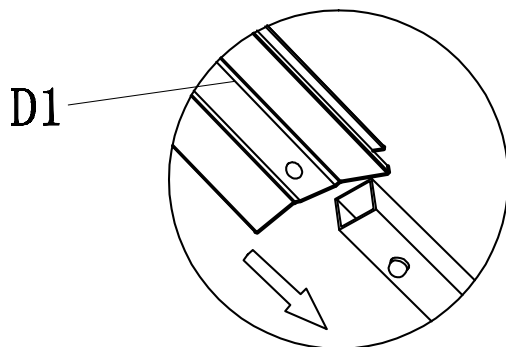
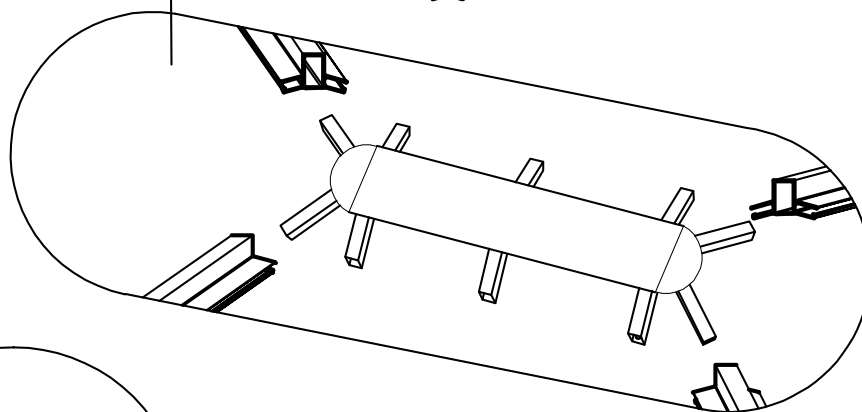
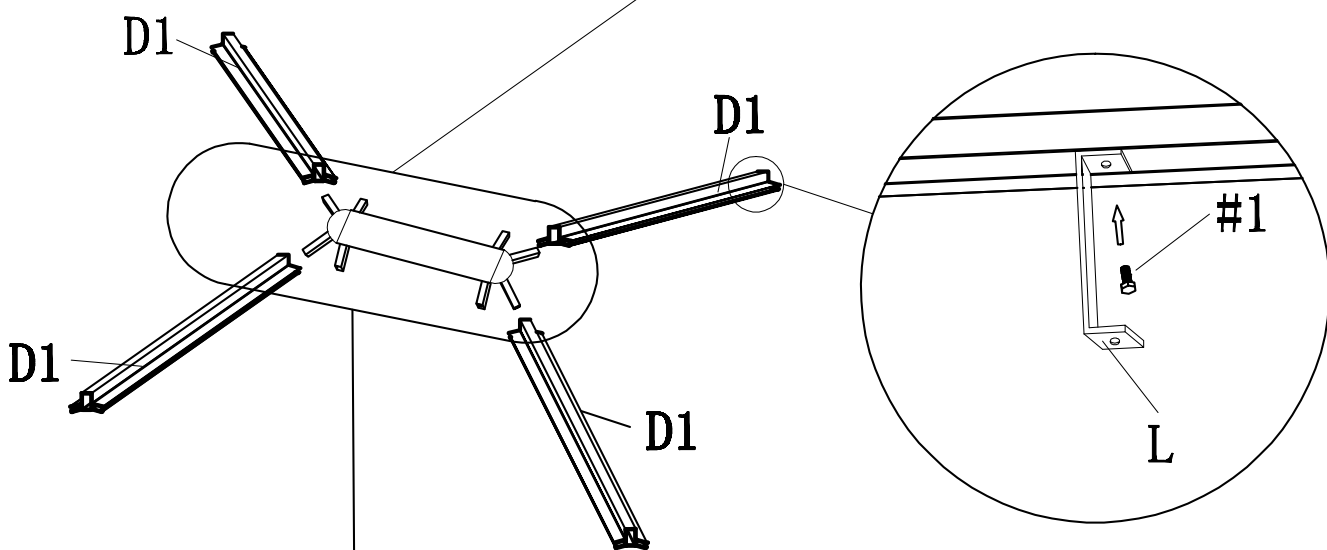
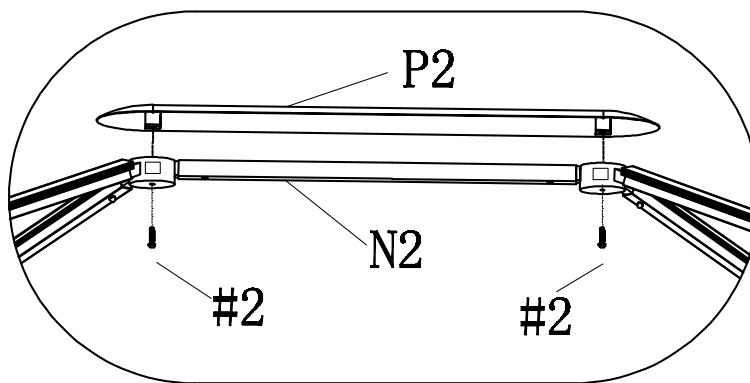


Put the claws of the assembled top frame down, install the pipe jacking (D), the two holes, the top two hole, the first hole through the bolts (#2) through the lower waist and the nut (#3), the second hole with bolts (#1), fix the four corners, rectangular top box and the top post (A), and fixed with bolts (#1).

Assembly Step

STEP 8

D1*4
L*4
N2*1
P2*1
#1*4
#2*2

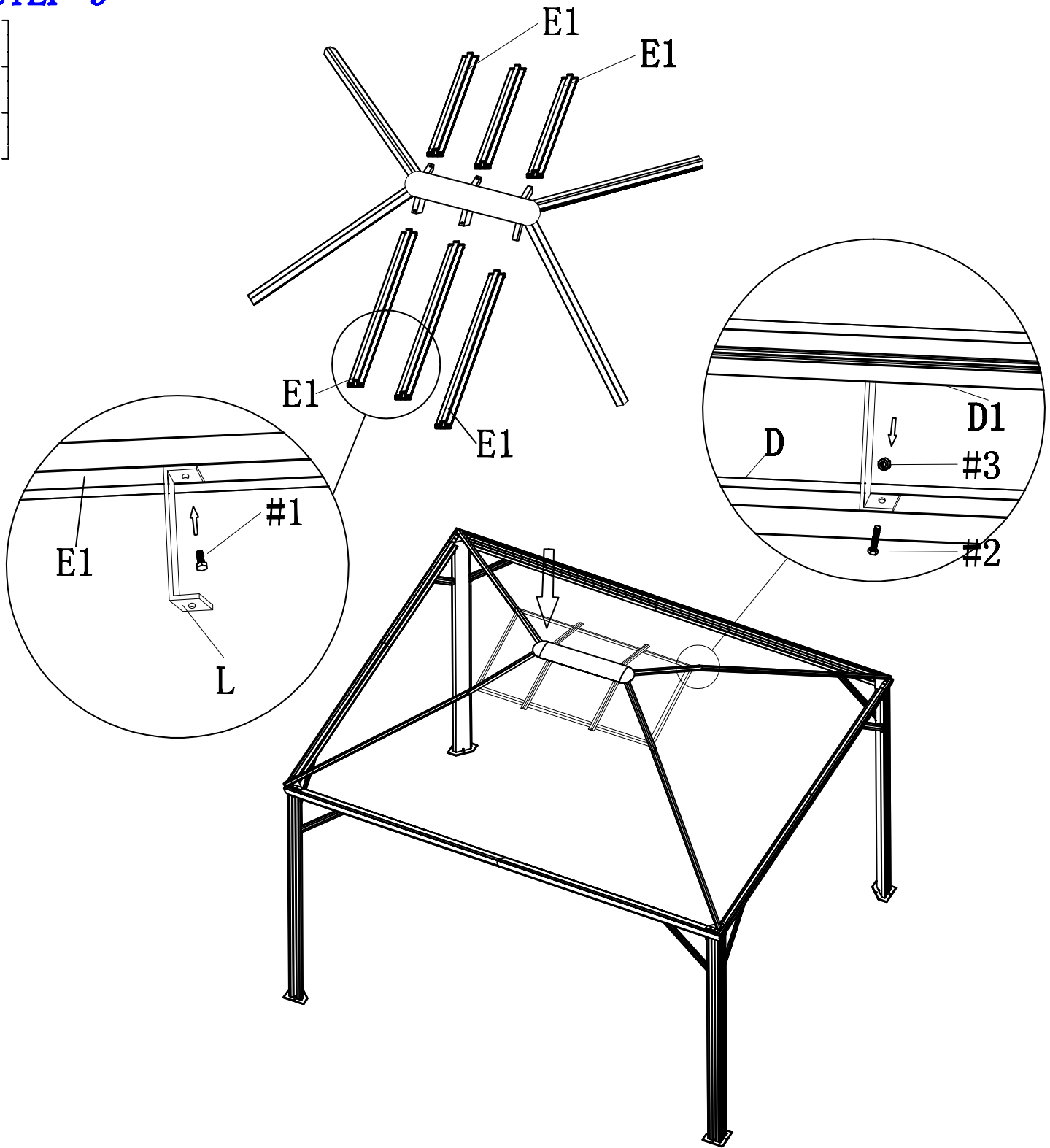


Install the top, connect the top cover (P2) with the top fork (N2) through the bolts (#2), then insert the small jacking pipe (D1) into the four corners of the top fork (N2), and the rectangle rises towards the sky, connect through the snap, hear a click, and finally install the C type (L) at the hole in the bottom of the four small jacking pipe (D1) through the bolt (#1).

Assembly Step

STEP 9

E1*6
L*6
#1*6



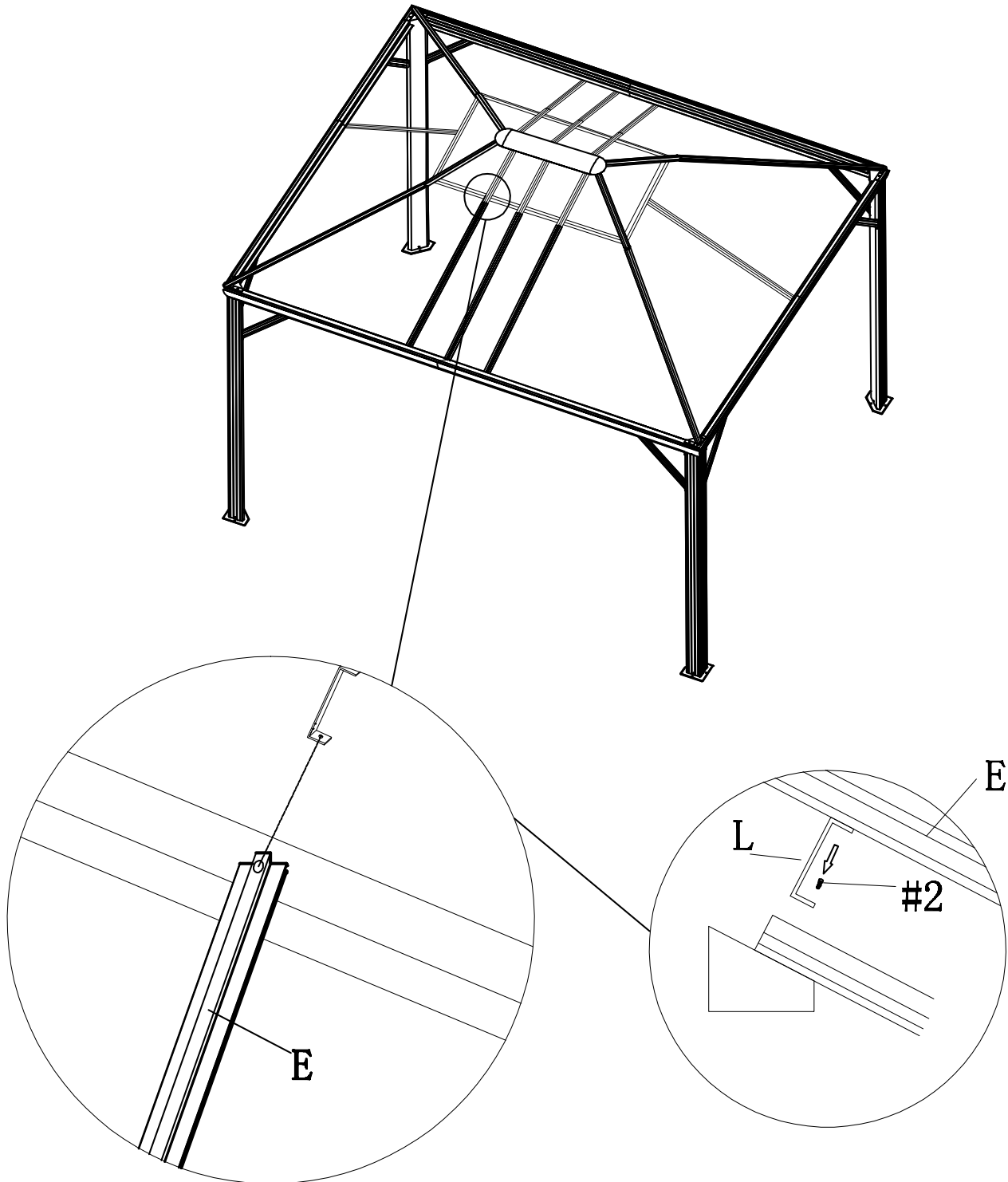
Place the small top of the previous step on the large top installed in step 7, place the bottom hole of the four C-type(L) installed on the small top on the first hole of the two holes of the top pipe(D), remove the bolt(#2) and the nut(#3) installed in the first step, and bolts(#2) the nut(#3) through the bottom hole of the C type(L) and the first top hole of the header(D). As in step 8, insert (E1) into the remaining tube of the top and install another C-type(L).

Assembly Step

STEP 10

E*8

#2*8

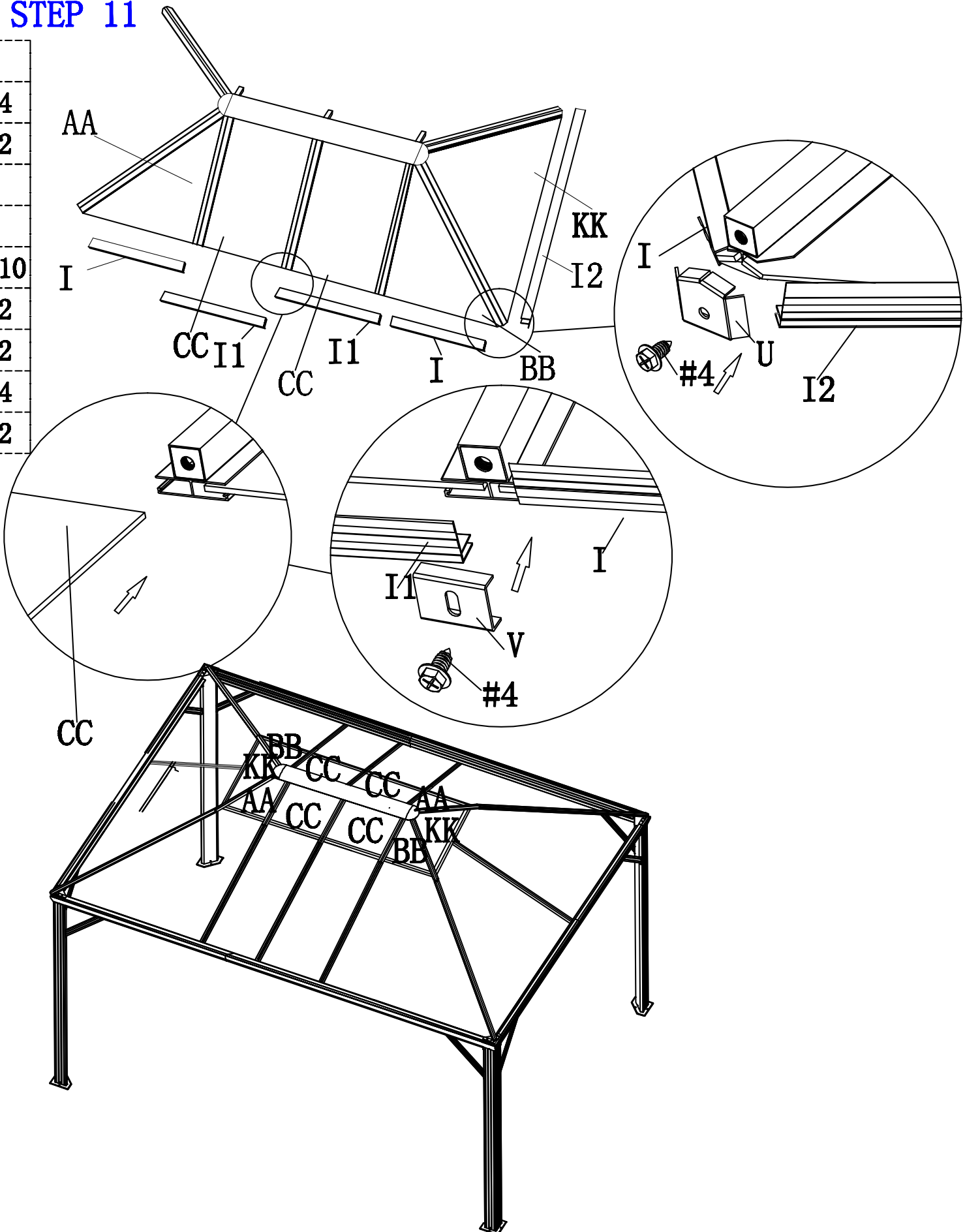


Use bolts(#2) through the hole at the bottom of C-type(L) and the one end of the middle tube, fixed to the hole on the top of the top frame(Q) and the other end over the beam. In addition, the two short-side installations do not need to cross the C-type(L).

Assembly Step

STEP 11

- I*4
- I1*4
- I2*2
- U*4
- V*6
- #4*10
- AA*2
- BB*2
- CC*4
- KK*2



Insert roof panels (AA), (BB), (CC) and (KK) into the groove of roof tubes (D1) and (E1). As illustrated, insert roof edges (I), (I1) and (I2) at the ends of roof panels of the small roof. As illustrated fix the roof corner brackets (U) and side roof brackets (V) by using (#4) bolts. In order not to damage inserts, do not over tighten the bolts.

Assembly Step

STEP 12

FF*4
GG*4
HH*4
DD*4
EE*4
II*4
JJ*4
F1*4
F2*4
F3*4
F4*4
#2*24

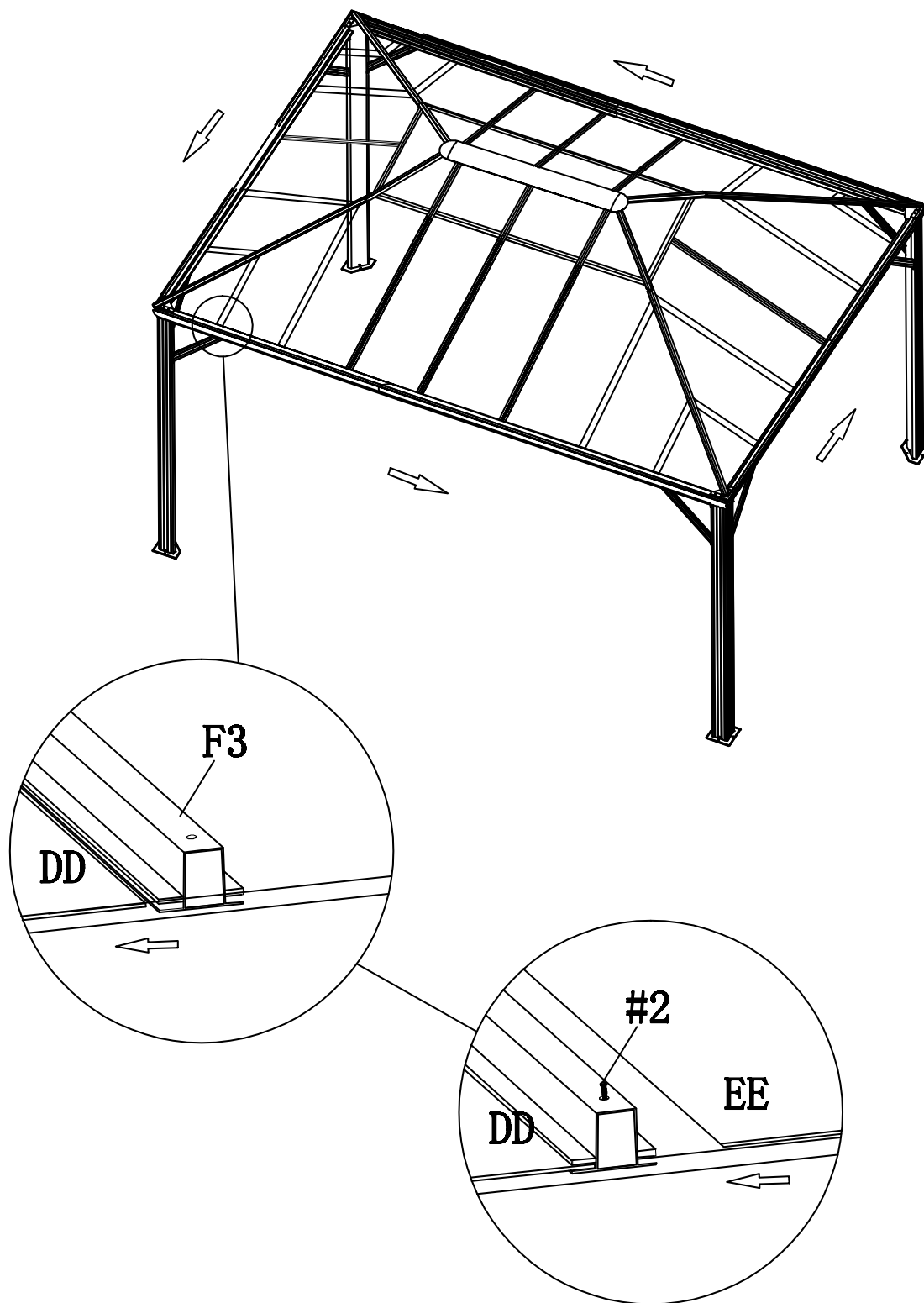
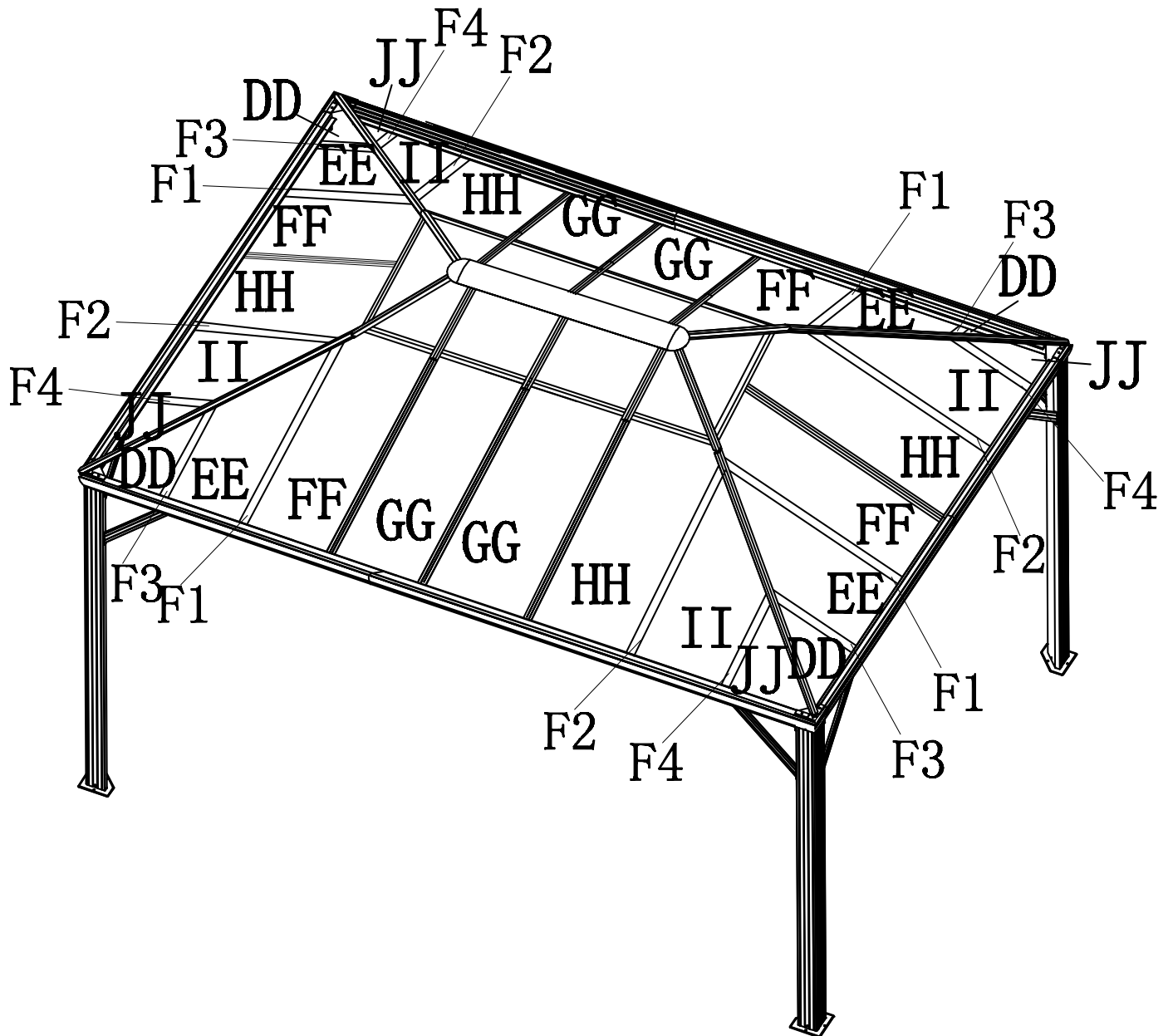


Plate and pipe slot position to see step 13.

Card the board (DD) into the left side slot at the illustrated position, then card the short pipe slot (F3) into the right side of the board (DD), fix it with screw (#2), and install the right board (EE) with four sides in order according to the above steps.

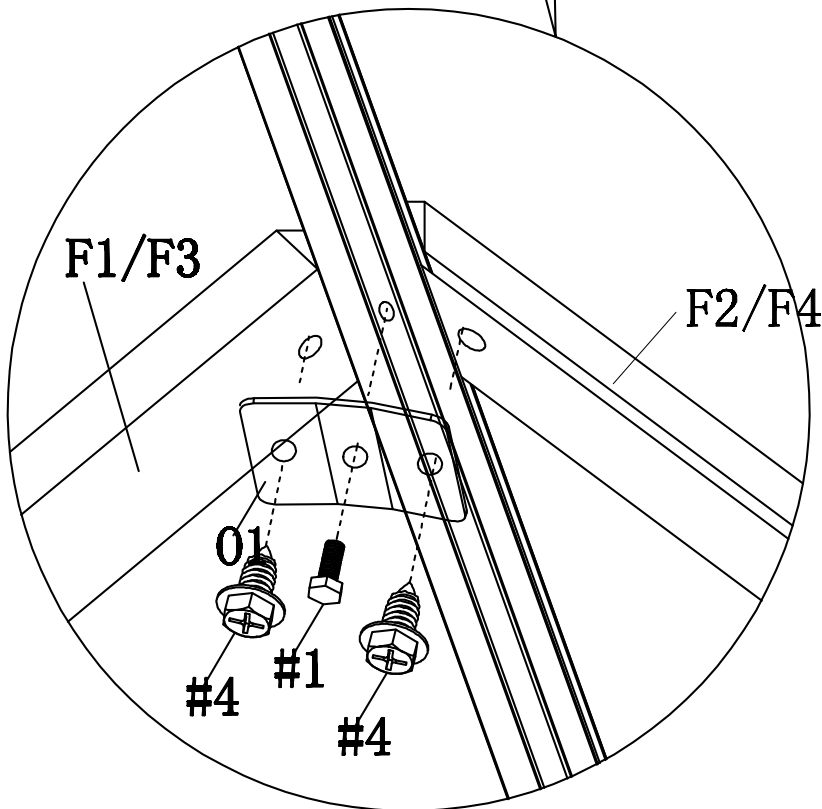
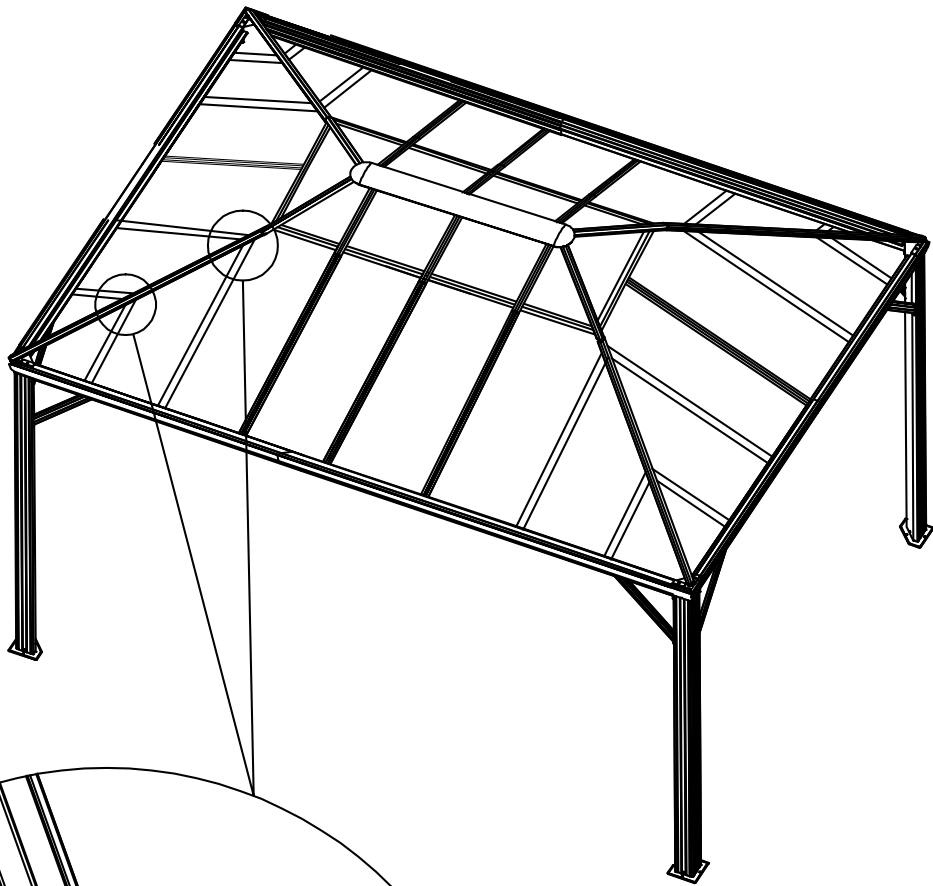
STEP 13



Position plot at step 12.

STEP 14

- 01*8
- #1*8
- #4*16

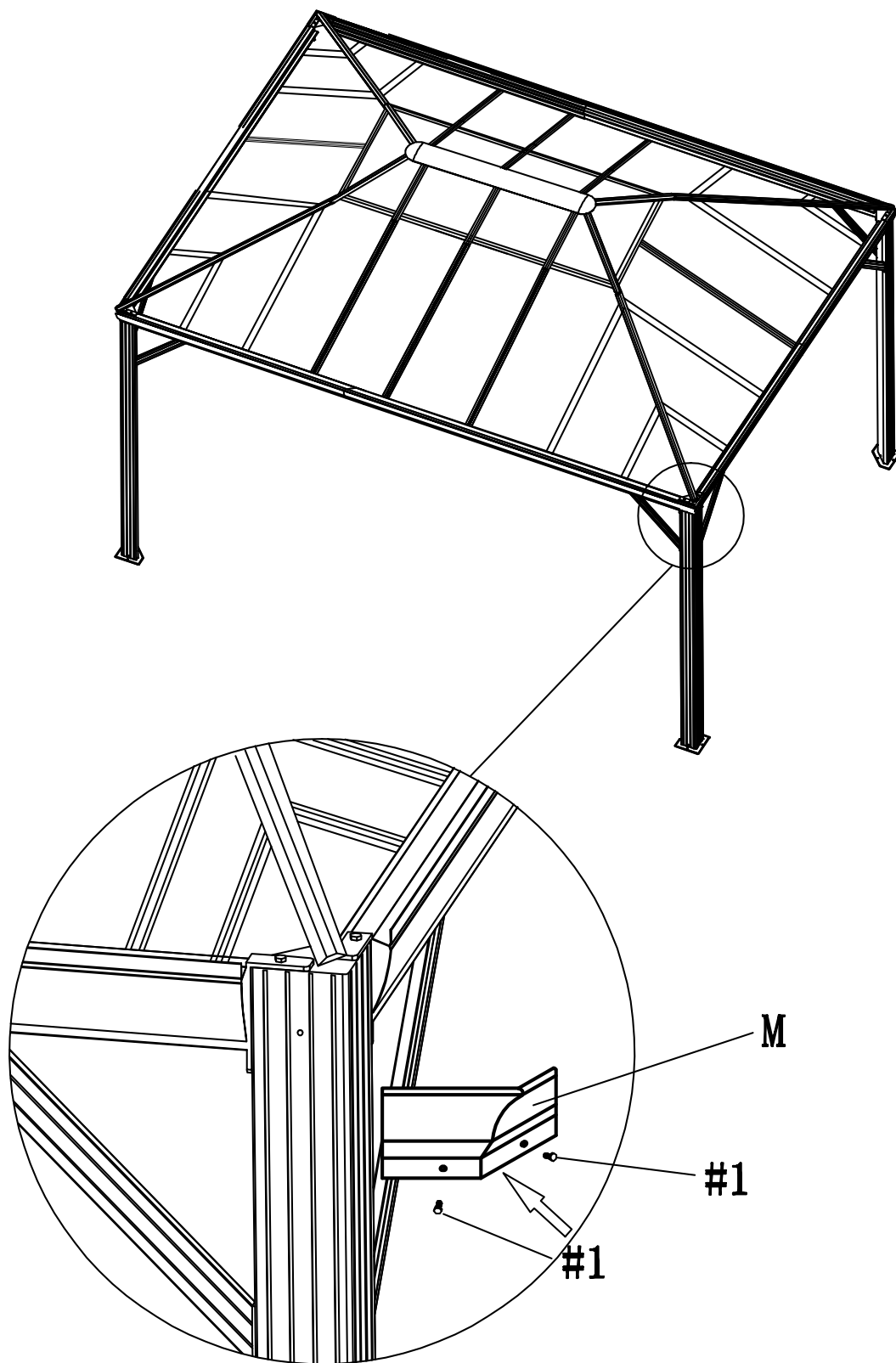


Install the three holes(01) on the two holes at the bottom of the pipe jacking(D) by bolts(#1). Then pass the screw (#4) through the holes on both sides of the three-hole plate (01) and secure it to the small holes on the top of (F1) 、 (F2)、 (F3)、 (F4).

Assembly Step

STEP 15

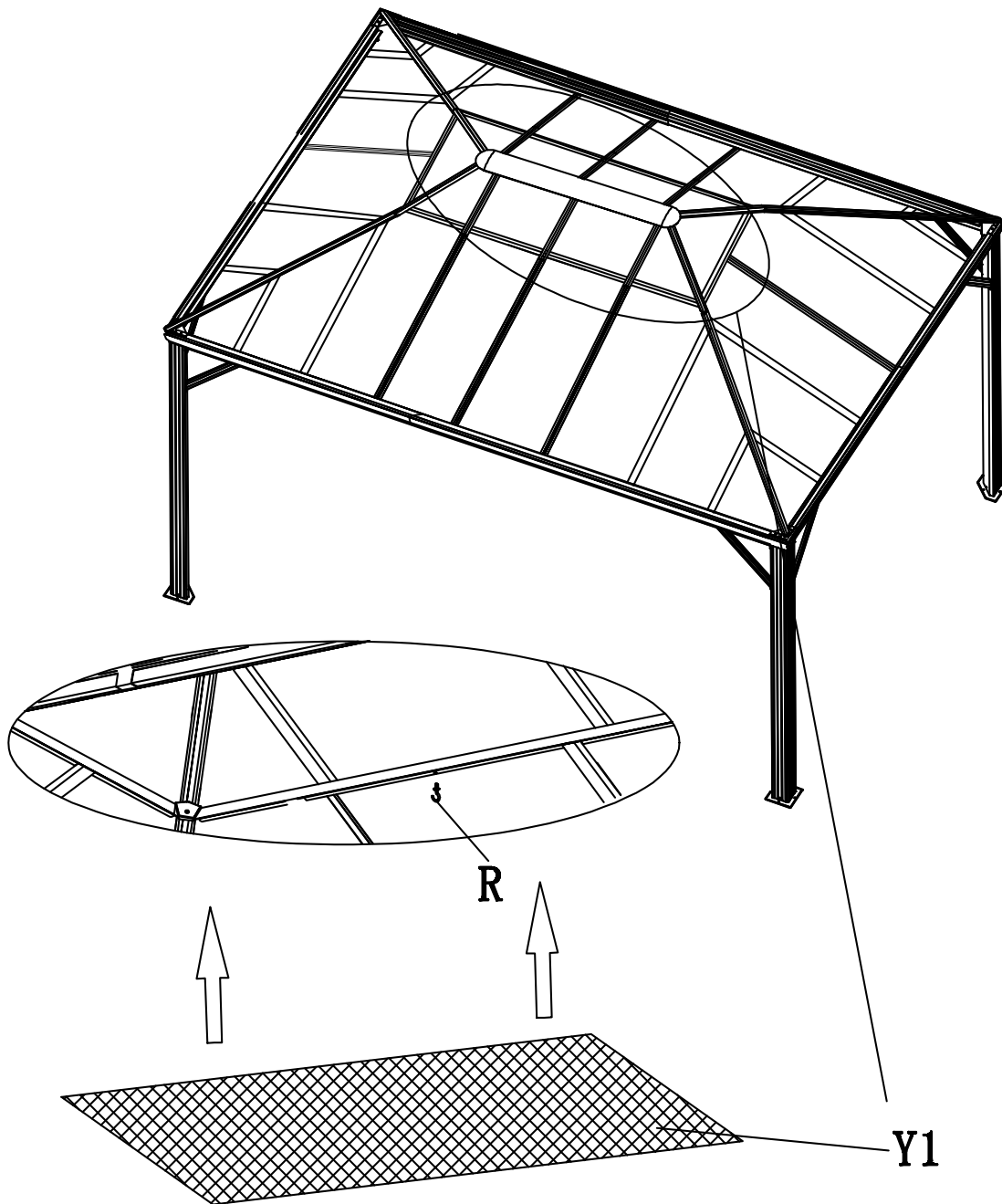
M*4
#1*8



Install the angle as shown.

STEP 16

R*2
Y1*1

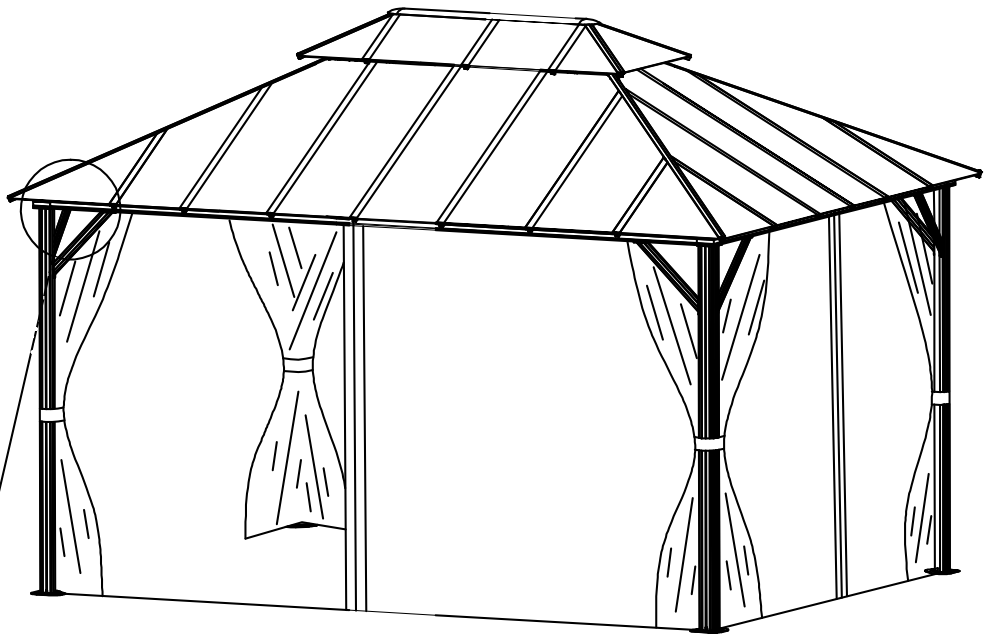


Put the small gauze net flat to the bottom of the top frame through Velcro,
and install the lamp hook.

Assembly Step

STEP 17

W*1
X*1

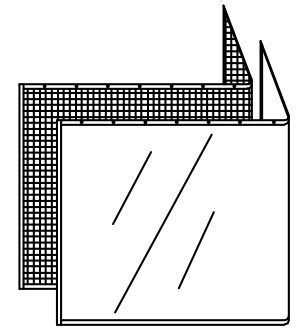
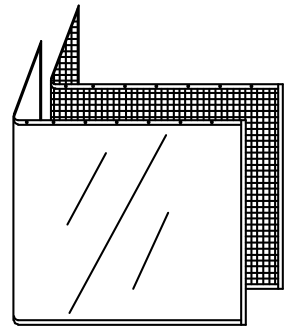
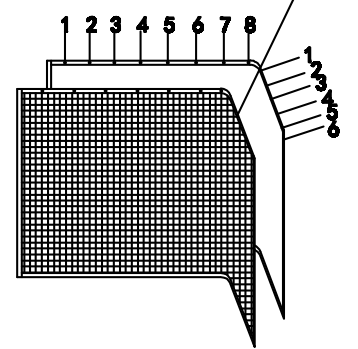
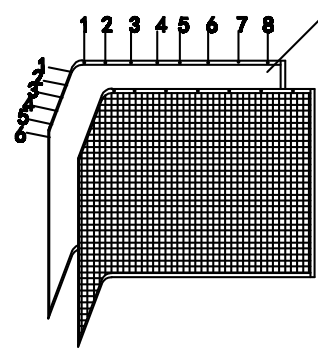
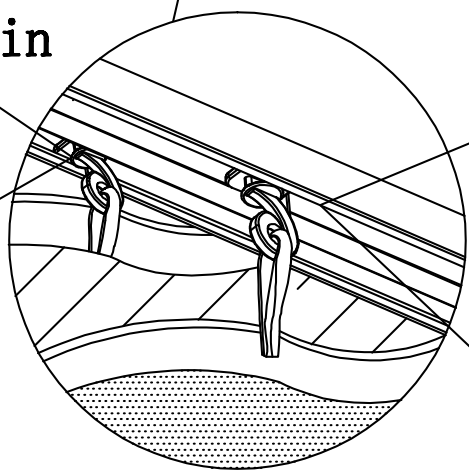


Curtain

Net

W

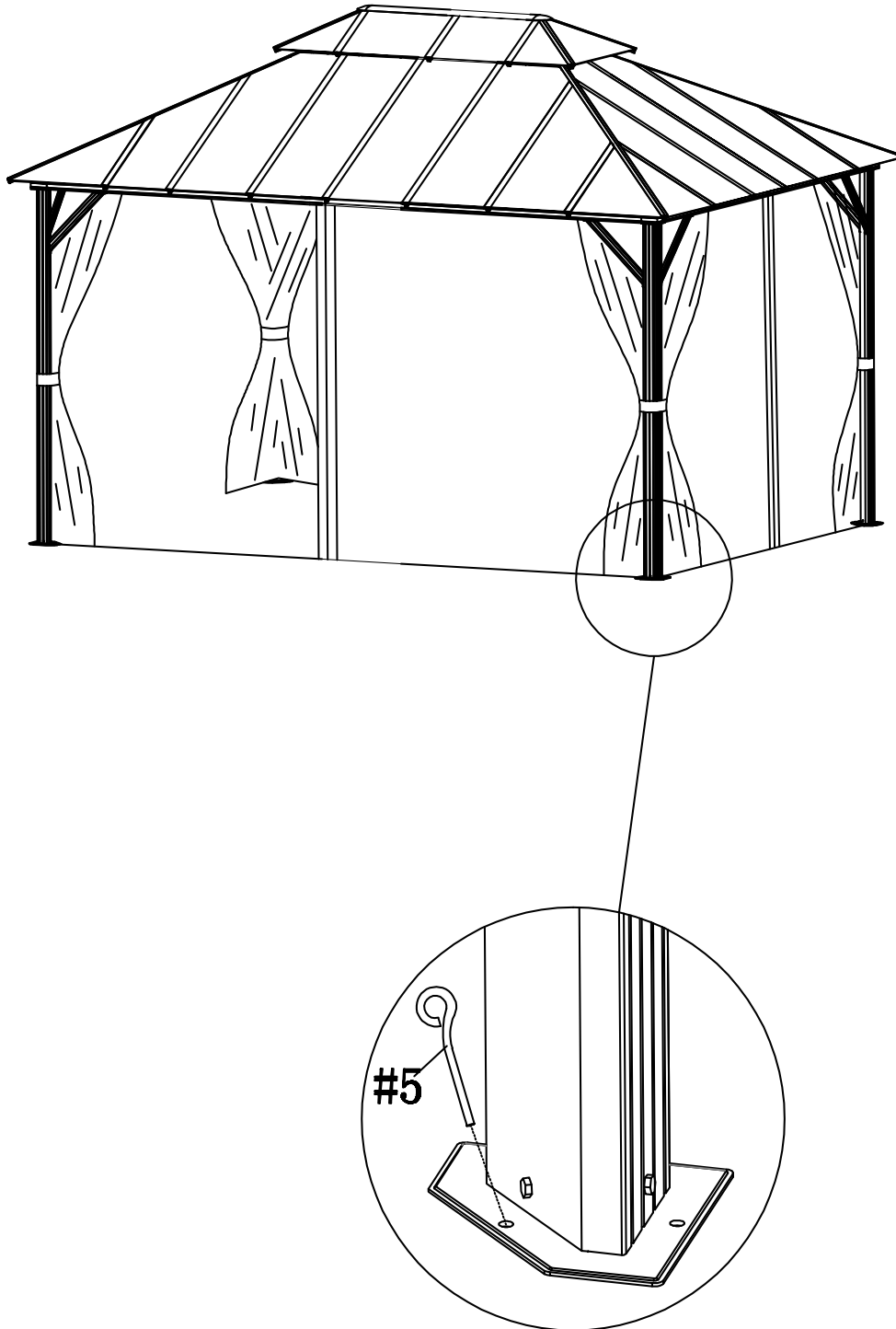
X



As shown in the figure, hang the cloth and gauze net through the hook on the guide rail.
Please note the cloth on the outside and the mesh on the inside.

STEP 18

#5*4



Use the stakes (#5) for ground fixing. Take note the anchoring devices to use may vary with ground status. Additional anchoring devices are not provided.

