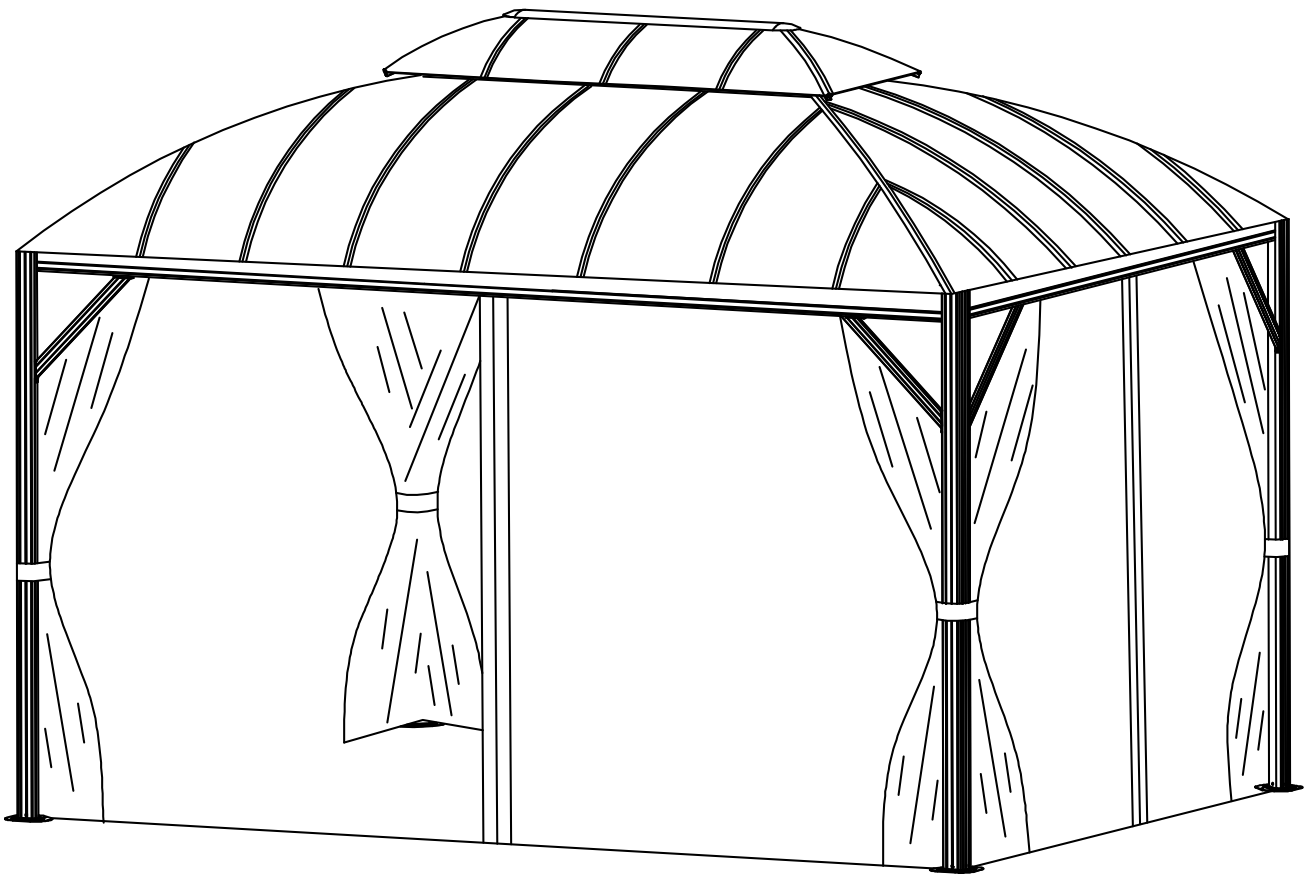


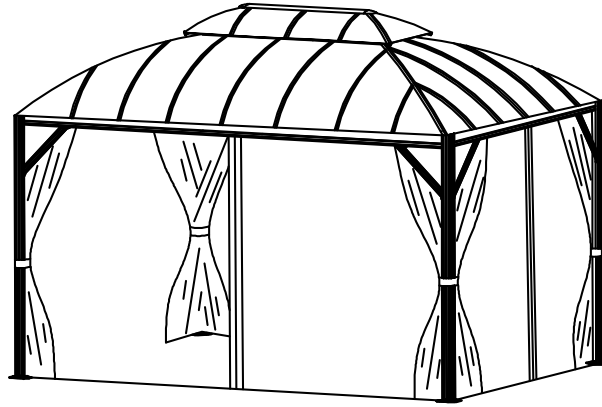
ZHG-040 12'X16'ALUM GAZEBO
TWIN LAYER ALUM ROOF/DOUBLE ROOF







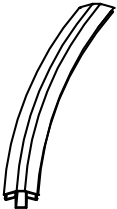







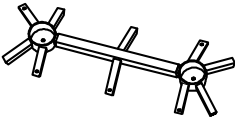
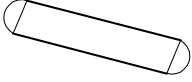
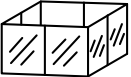
The gazebo comes with 4 boxes. Sometimes they may be delivered on the different day, please wait 2-3 more days or contact us for help.

ATTENTION:






1. Please fix all the screws first, do not lock off, after assembling is fully completed, lock all at once finally.
2. Please check the manual carefully and make sure you have received all the parts.
3. If there is any missing, please let us know the letter of the parts you need.
4. If there is any damage, please send clear photos to us, we will check and offer you best solution soon.











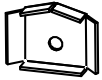

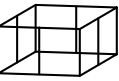






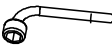
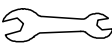

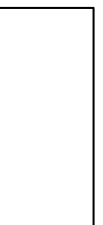



Part List (BOX A)

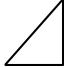
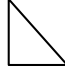


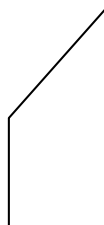
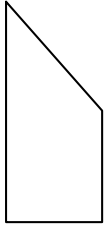
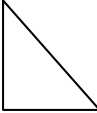
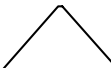

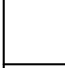
A 	B5 	B6 	C 	D 
4PCS	2PCS	2PCS	8PCS	4PCS
G 	G2 	J 	L 	M 
4PCS	4PCS	4PCS	10PCS	4PCS
Q 	Q3 	N2 	P2 	W 
2PCS	2PCS	1PC	1PC	1PCS

Part List (BOX B)

B1 	B2 	D1 	E 	E1 
2PCS	2PCS	4PCS	8PCS	6PCS

F1		F2		F3		F4		I3	
	4PCS		4PCS		4PCS		4PCS		4PCS
I1		I4		K		O1		R	
	4PCS		2PCS		4PCS		8PCS		2PCS
U		V		X		Y1			
	4PCS		6PCS		1PCS		1PCS		
#1		#2		#3		#4		#5	
	142PCS		24PCS		12PCS		26PCS		4PCS
#6		#7							
	1PCS		1PCS						
Part List (BOX C)									
FF		GG		HH					
	4PCS		4PCS		4PCS				

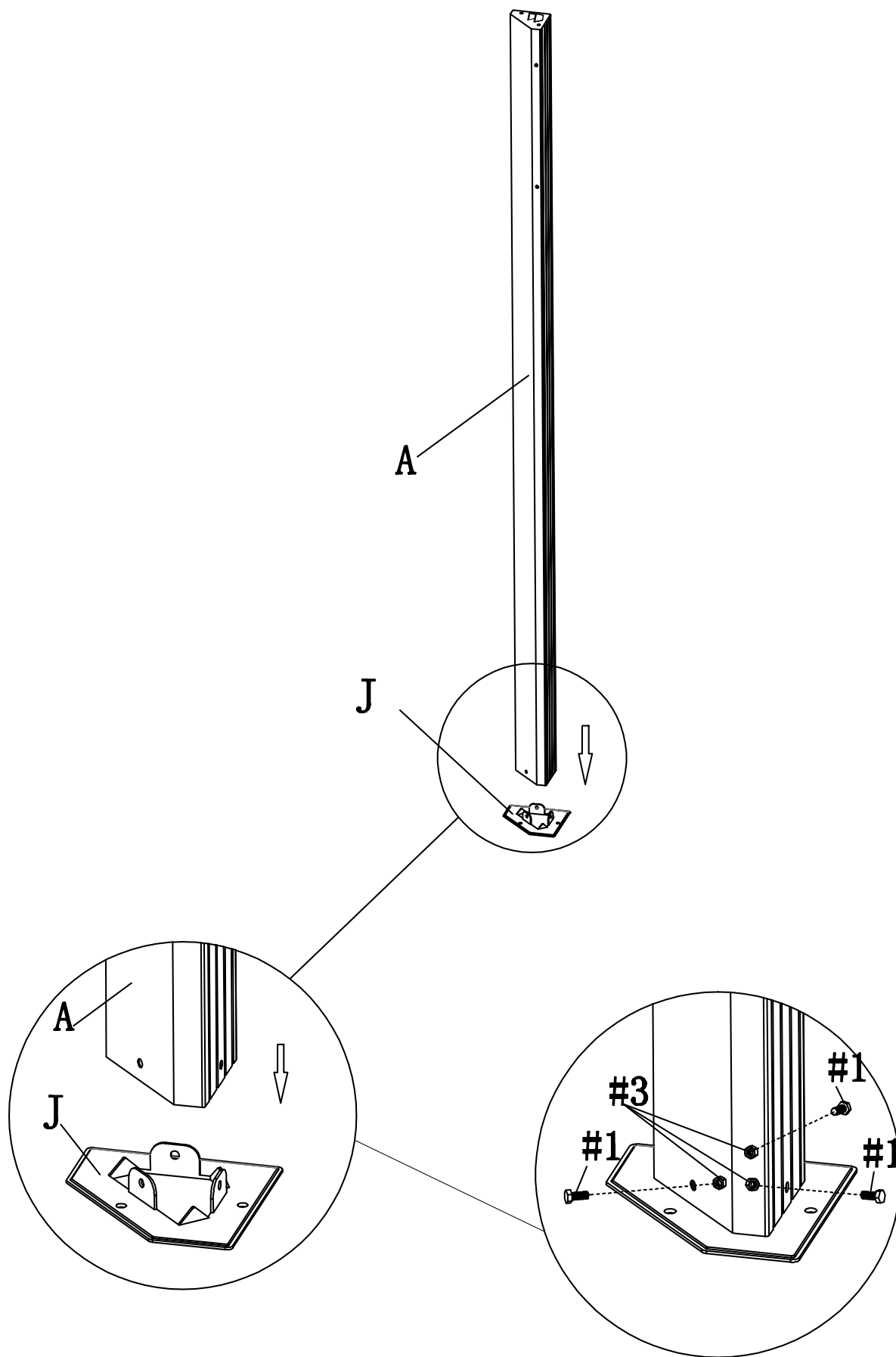
Part List (BOX D)

AA 	BB 	CC 	DD 	EE 
2PCS	2PCS	4PCS	4PCS	4PCS
II 	JJ 	KK 		
4PCS	4PCS	2PCS		

Assembly Step

STEP 1

A*4
J*4
#1*12
#3*12

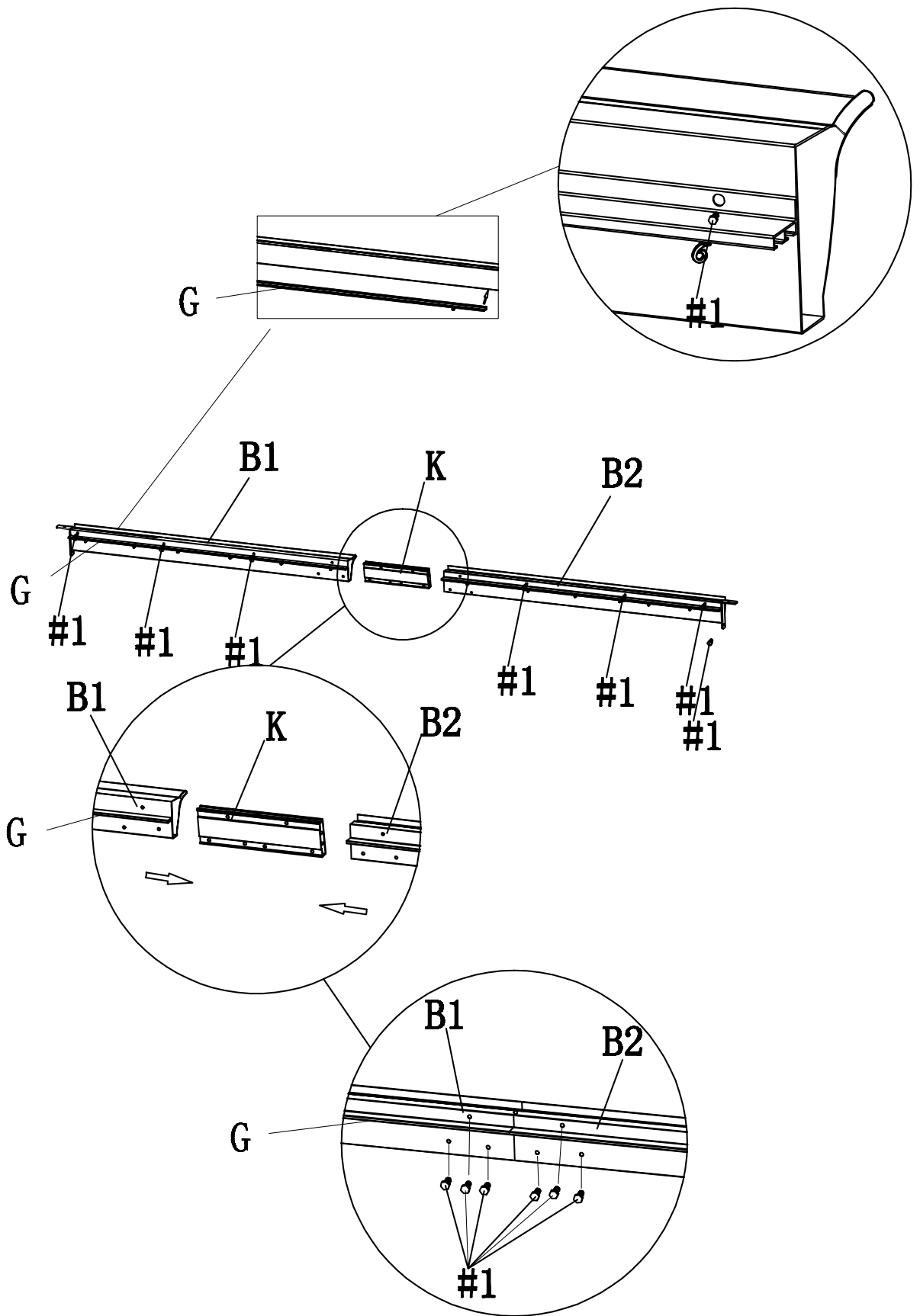


Install a base flange(J) to the bottom of a post(A) using bolts(#1) and nuts(#3). Repeat the step for all other A posts.

Assembly Step

STEP 2

B1*2
B2*2
K*2
G*4
#1*24

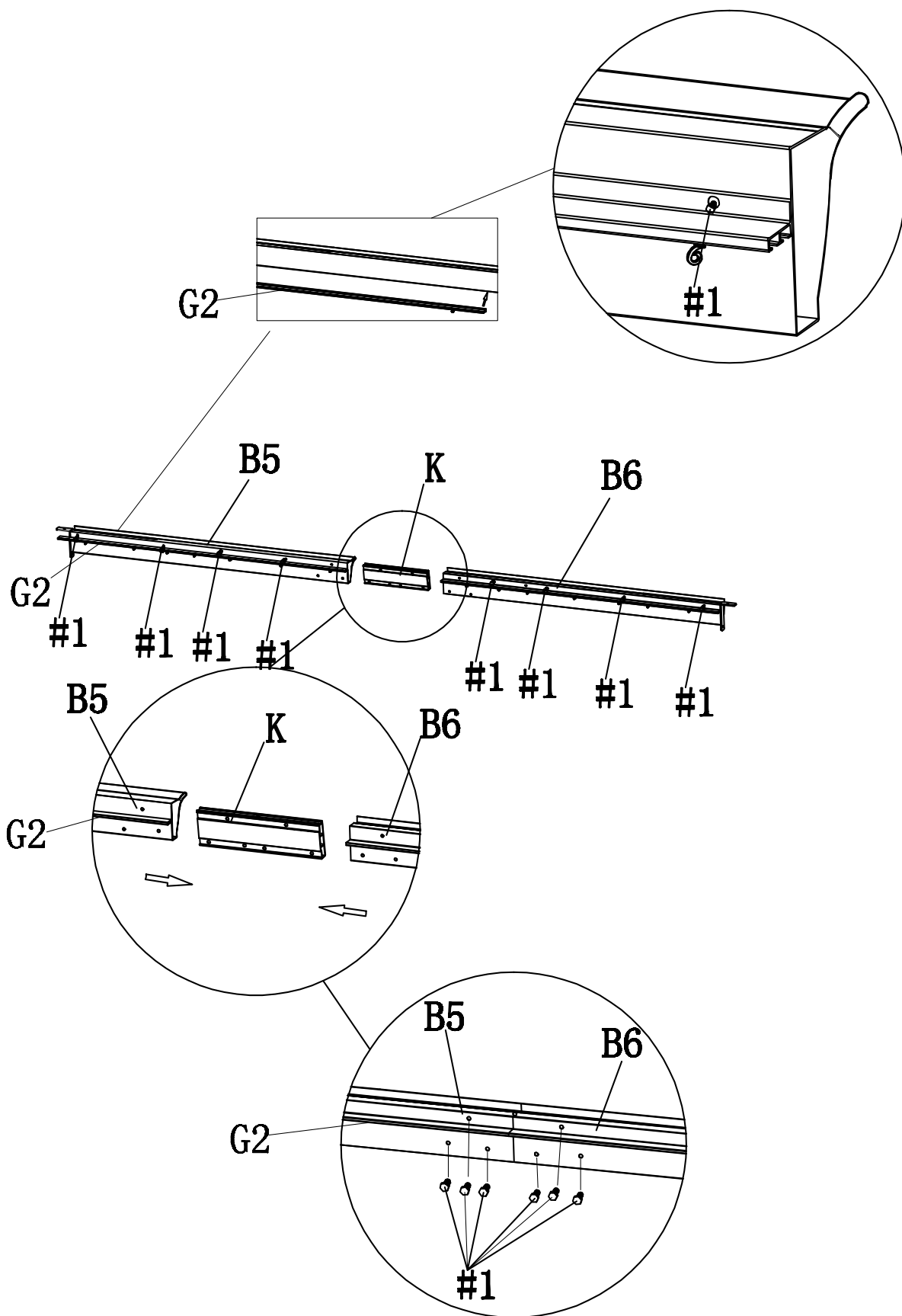


Join crossbars(B1) and (B2) by using connector(K) and bolts(#1).
Install the rail (G) through the bolts (#1) while assembling the crossbars.

Assembly Step

STEP 3

B5*2
B6*2
K*2
G2*4
#1*28

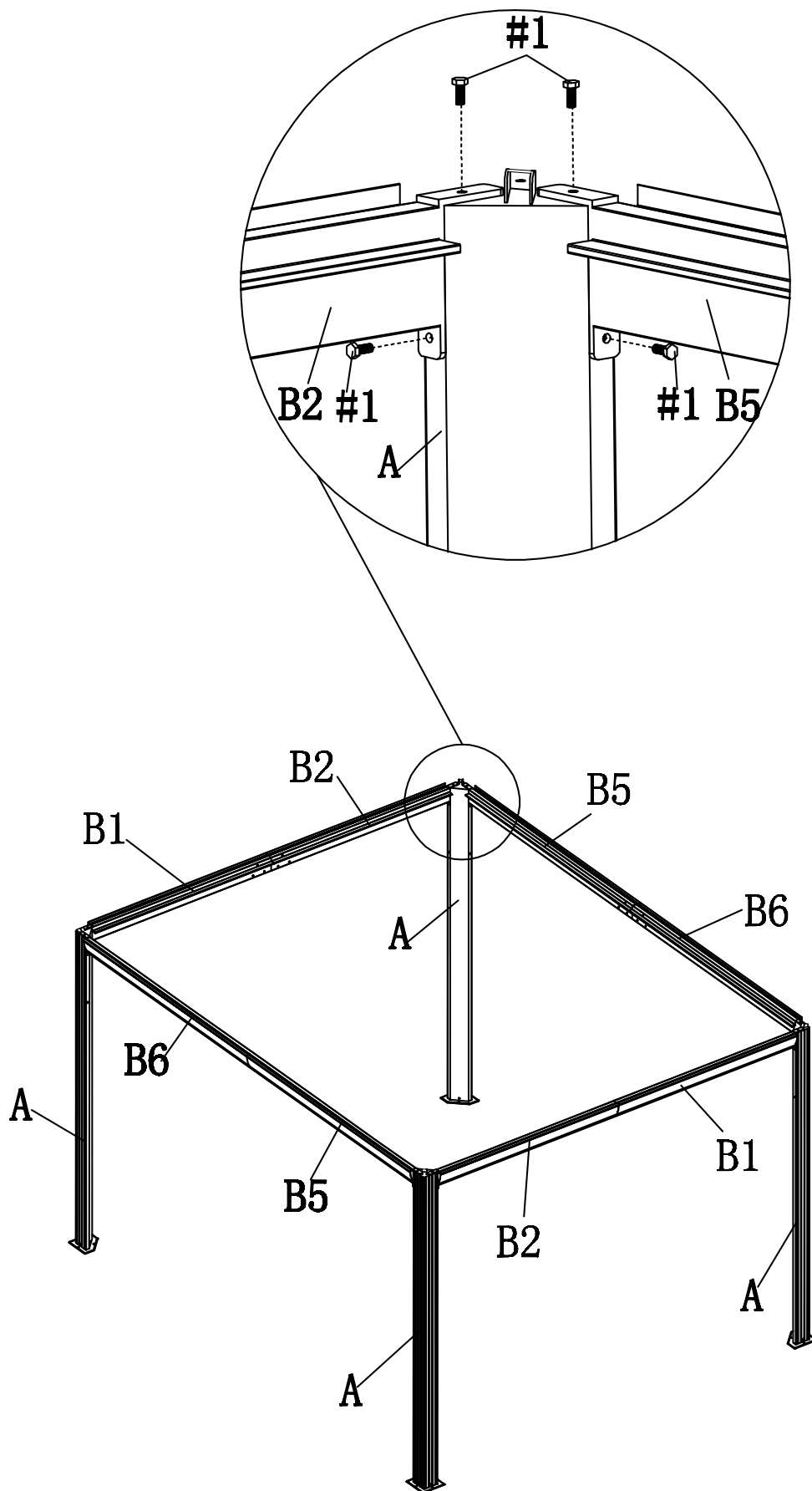


Join crossbars(B6) and (B5) by using connector(K) and bolts(#1).
Install the rail (G2) through the bolts (#1) while assembling the crossbars.

Assembly Step

STEP 4

#1*16

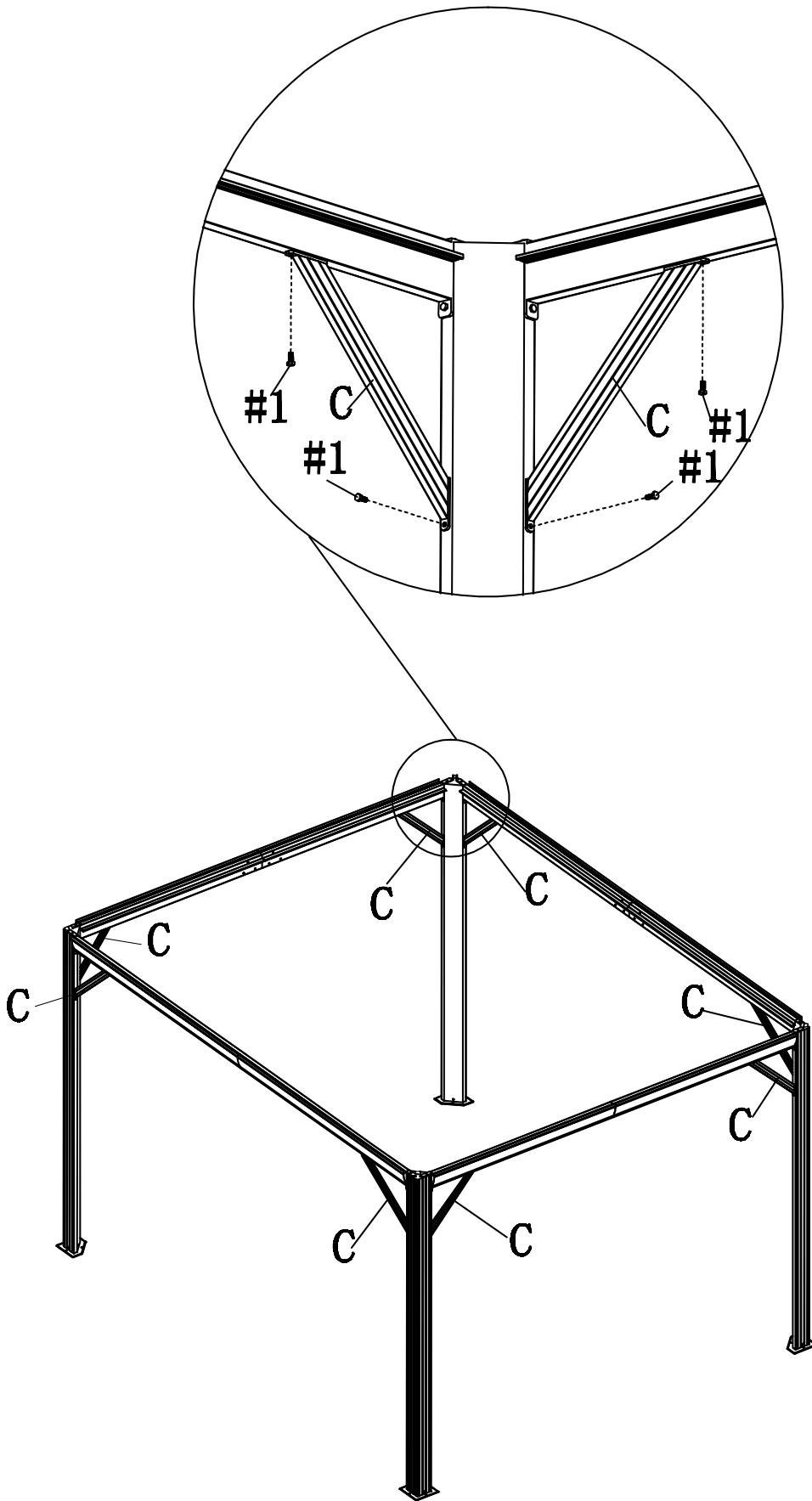


As shown, fix the crossbars assembly (B1)/(B2) and (B5)/(B6) to posts (A) by using bolts (#1).

Assembly Step

STEP 5

C*8
#1*16

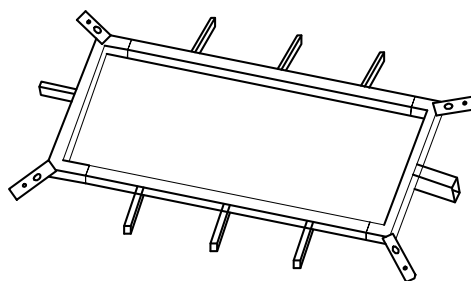
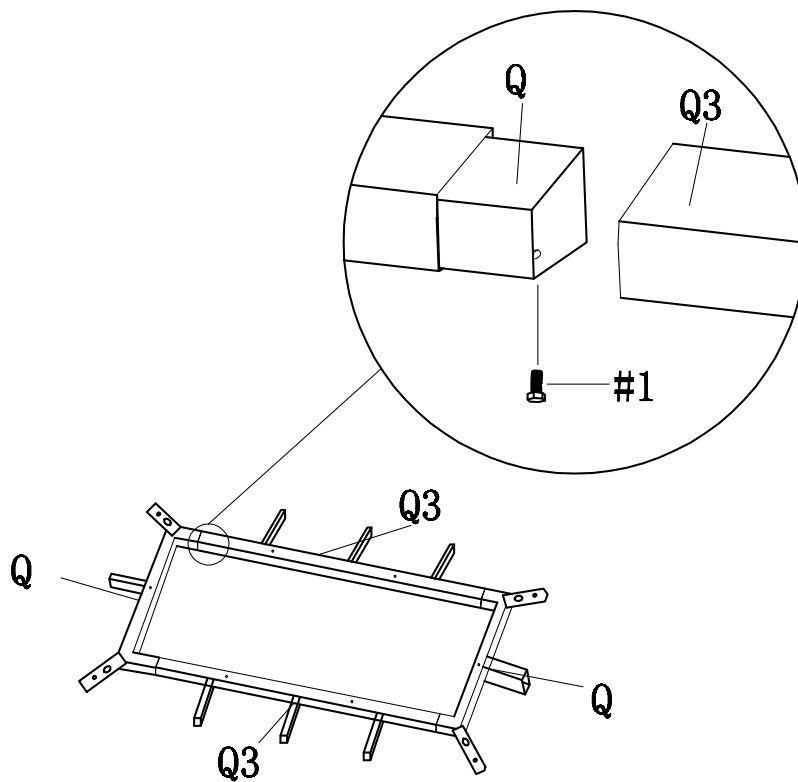


As shown, fix the braces (C) to posts (A) and crossbars assembly (B1)/(B2) and (B5)/(B6) by using bolts (#1).

Assembly Step

STEP 6

Q*2
Q3*2
#1*4

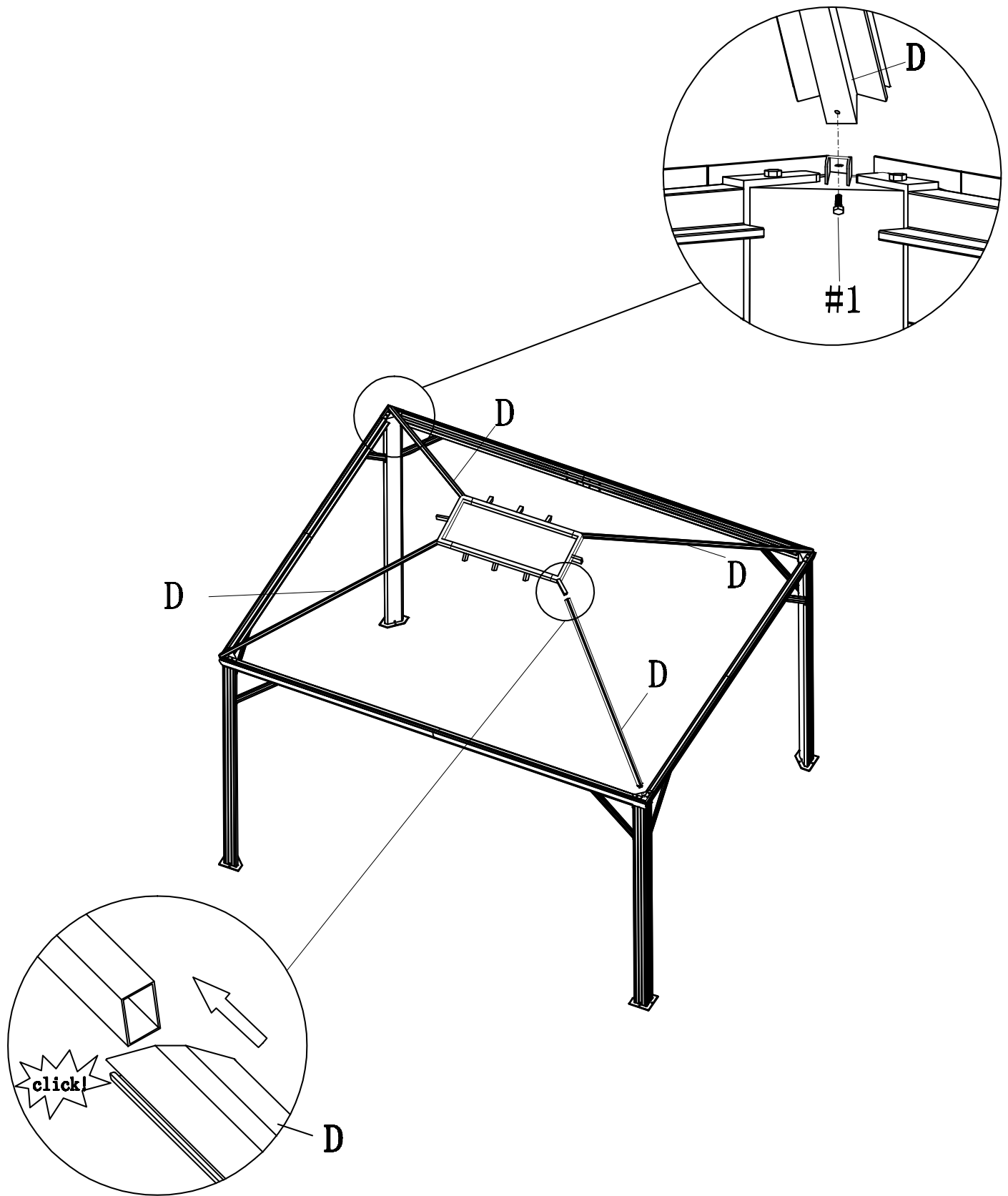


Assemble the top frames (Q) and (Q3) and secure them through the bolts (#1).

Assembly Step

STEP 7

D*4
#1*4

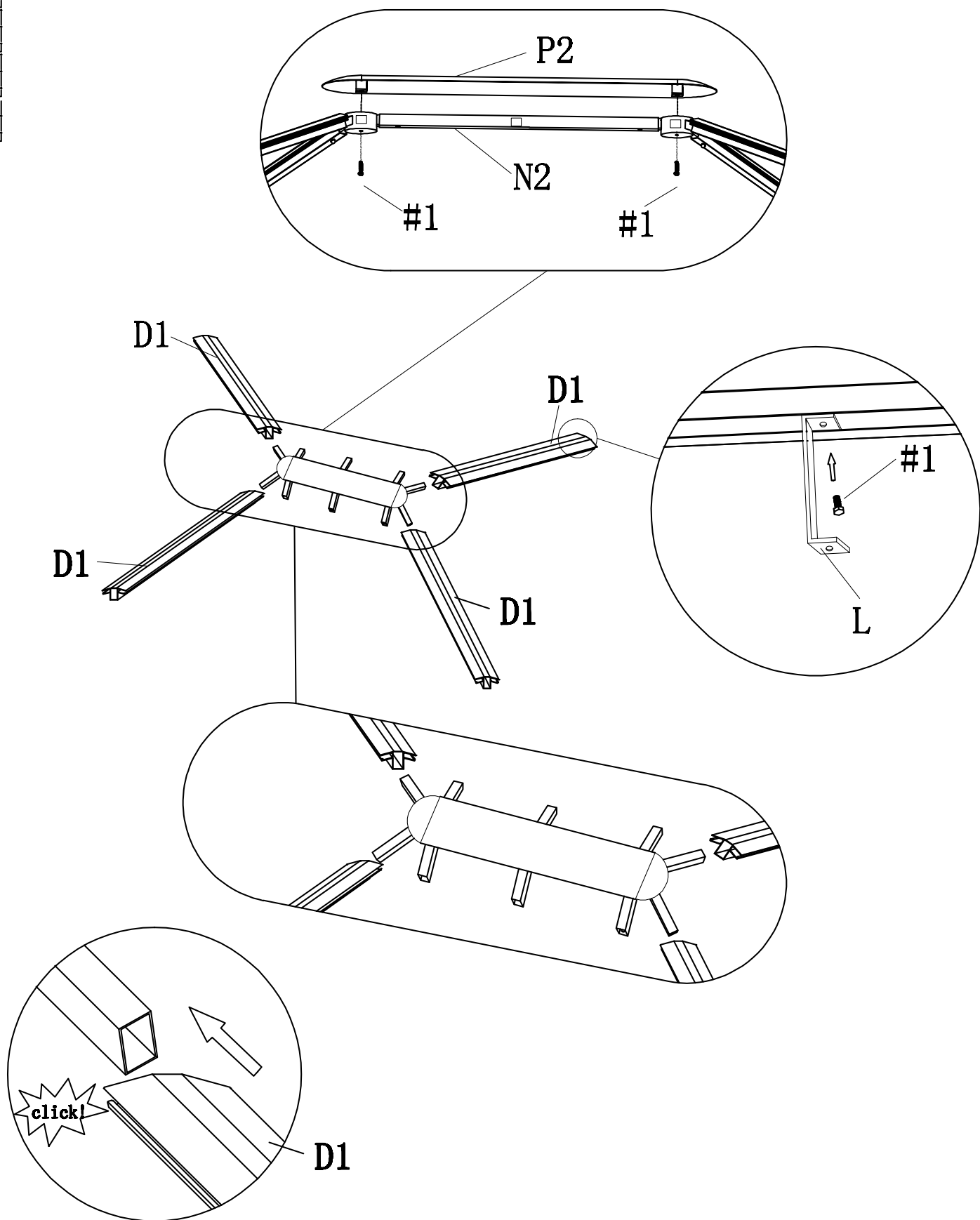


Insert the upper end of D into the Q corner of the previous step, hear the sound to connect successfully, then raise the whole, place on the top of the four A, and connect with screw #1.

Assembly Step

STEP 8

D1*4
L*4
N2*1
P2*1
#1*6

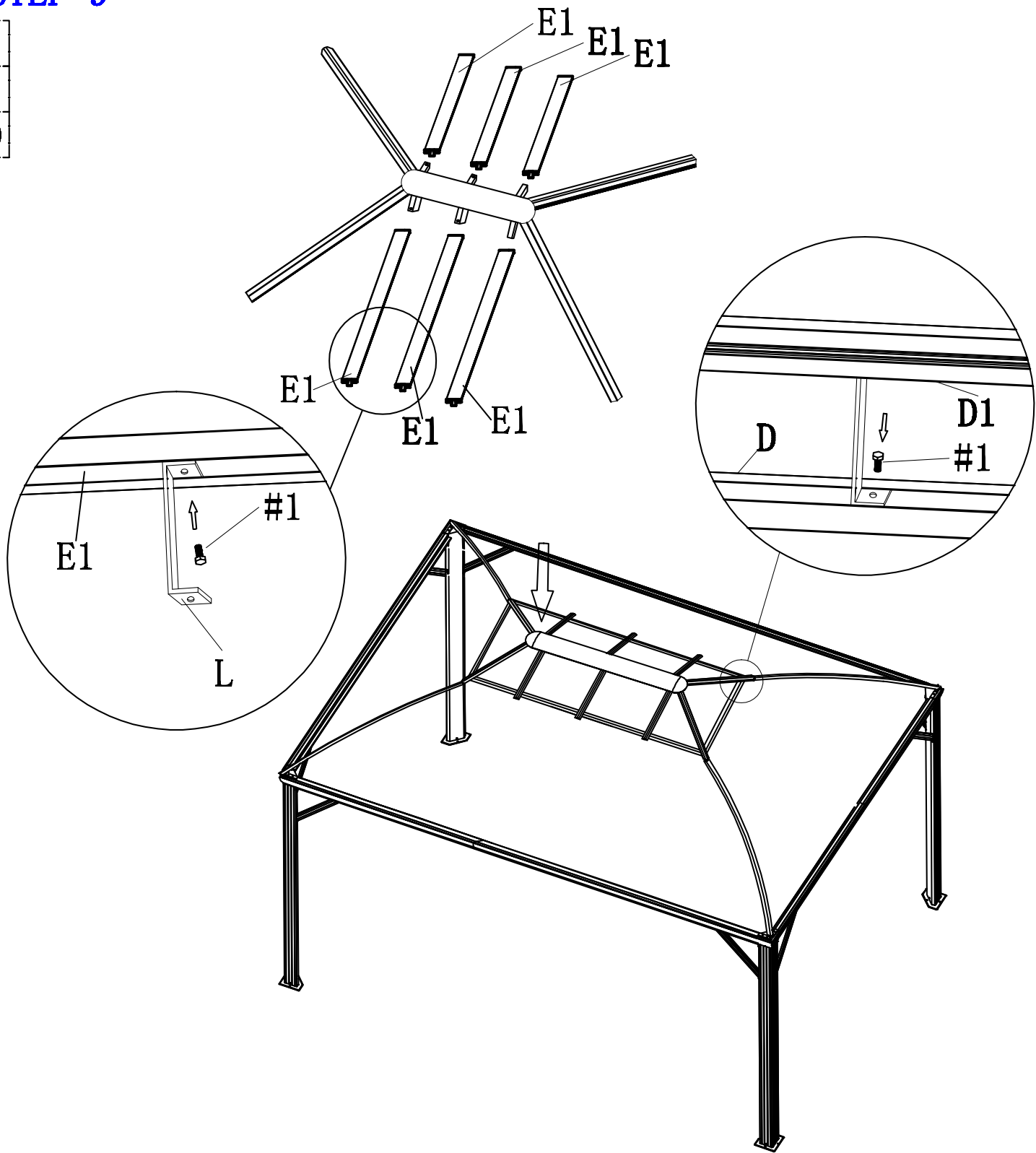


Insert the upper end of D1 into the N2 corner of the previous step, hear the sound to connect successfully, Install L at the bottom of D1 and connect it with #1.

Assembly Step

STEP 9

E1*6
L*6
#1*10



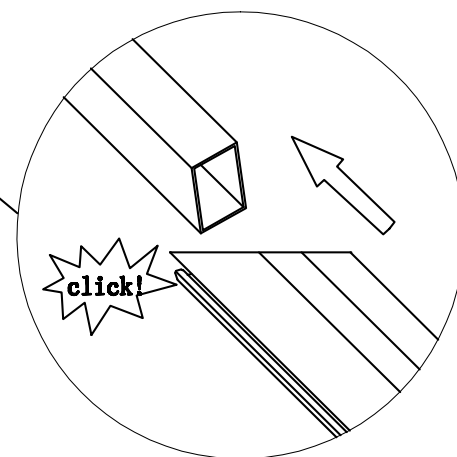
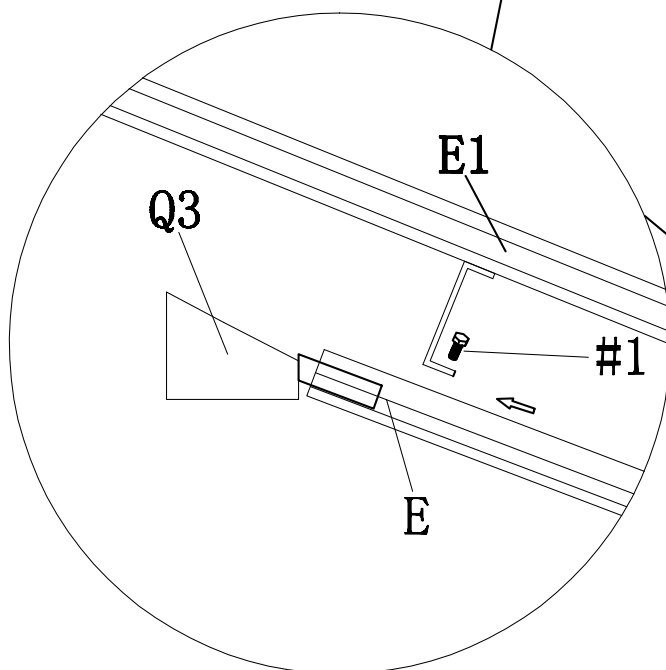
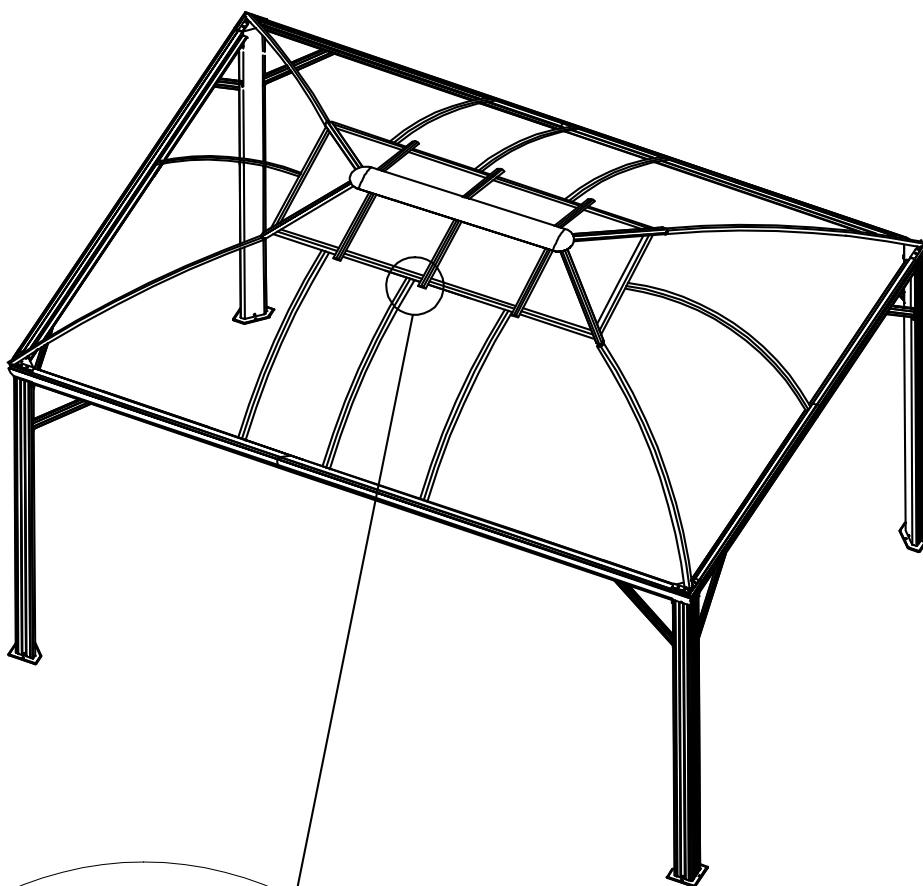
Place the top installed in the previous step on the top, the four corners of the top face the four corners of the top, and the L under the top is fixed to the top with # 1. E1 was inserted into the remaining tube of N1 and loaded with L with #1 under E1.

Assembly Step

STEP 10

E*8

#1*6

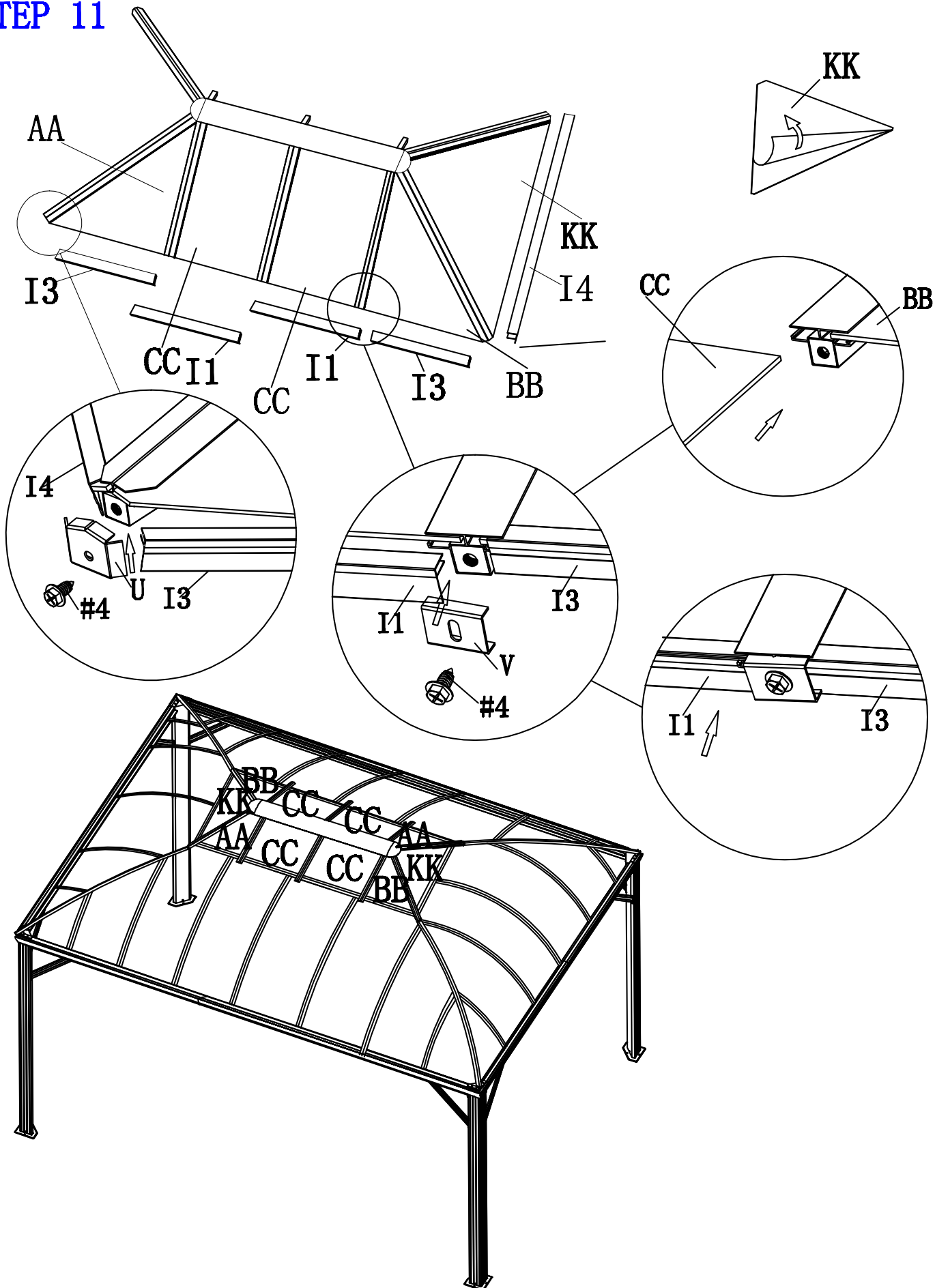


Insert E into the remaining position of the large top Q and Q2. And fix L on E1 to E via #1.

Assembly Step

STEP 11

I1*4
I3*4
I4*2
U*4
V*6
#4*10
AA*2
BB*2
CC*4
KK*2



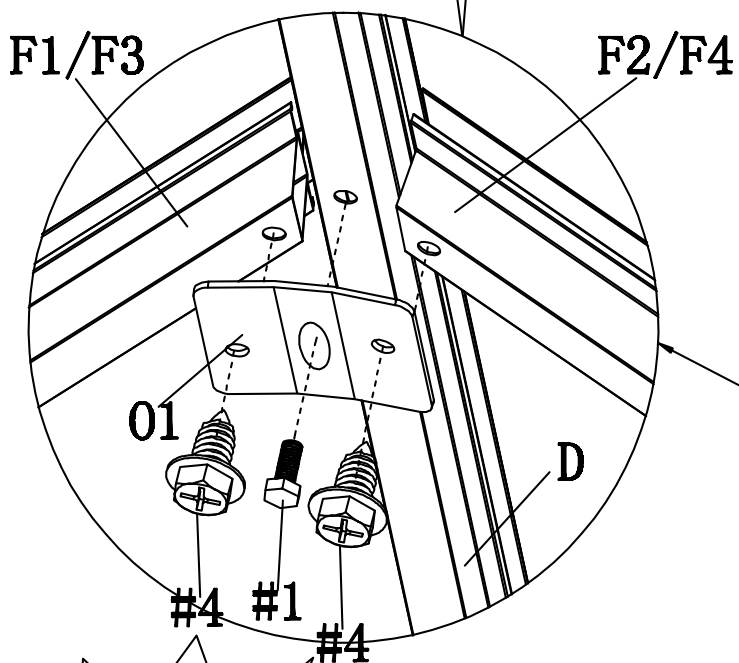
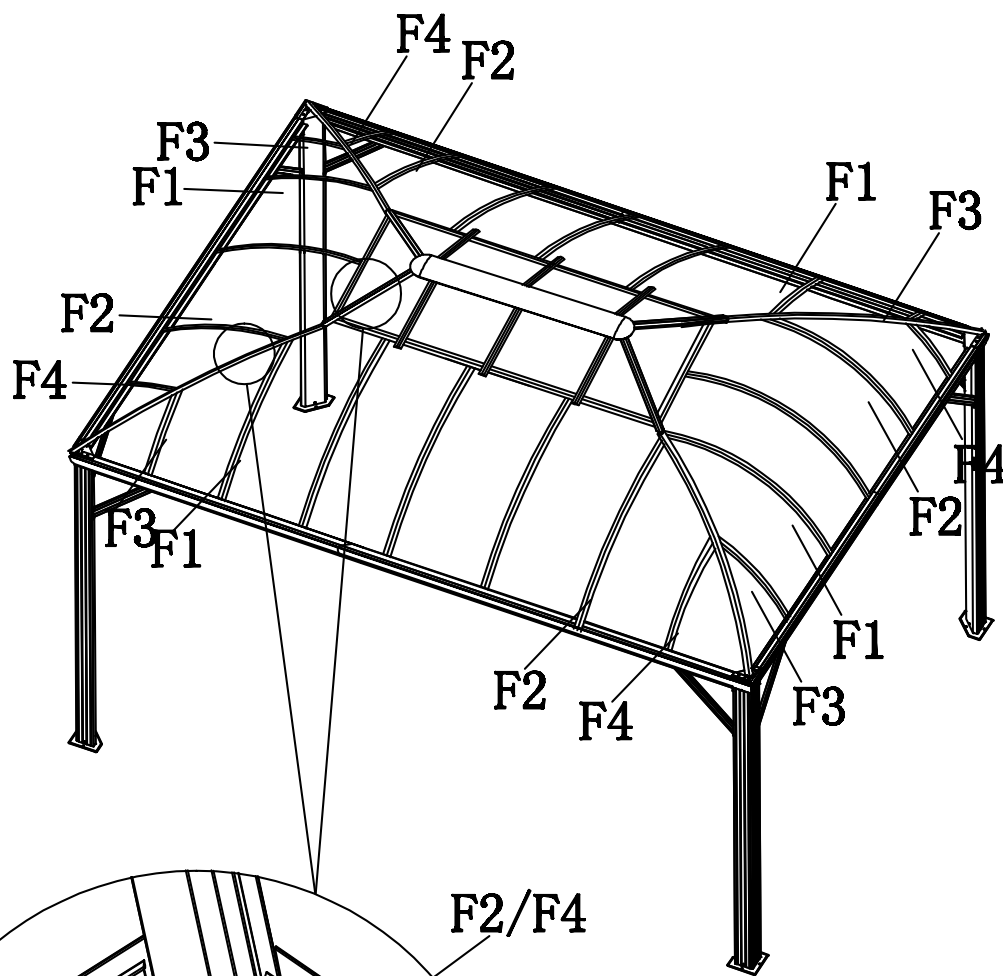
Insert roof panels (AA), (BB), (CC) and (KK) into the groove of roof tubes (D1) and (E1).

As illustrated, insert roof edges (I1), (I3) and (I4) at the ends of roof panels of the small roof. As illustrated fix the roof corner brackets (U) and side roof brackets (V) by using (#4) bolts. In order not to damage inserts, do not over tighten the bolts.

Assembly Step

STEP 12

F1*4
F2*4
F3*4
F4*4
O1*8
#1*8
#4*16



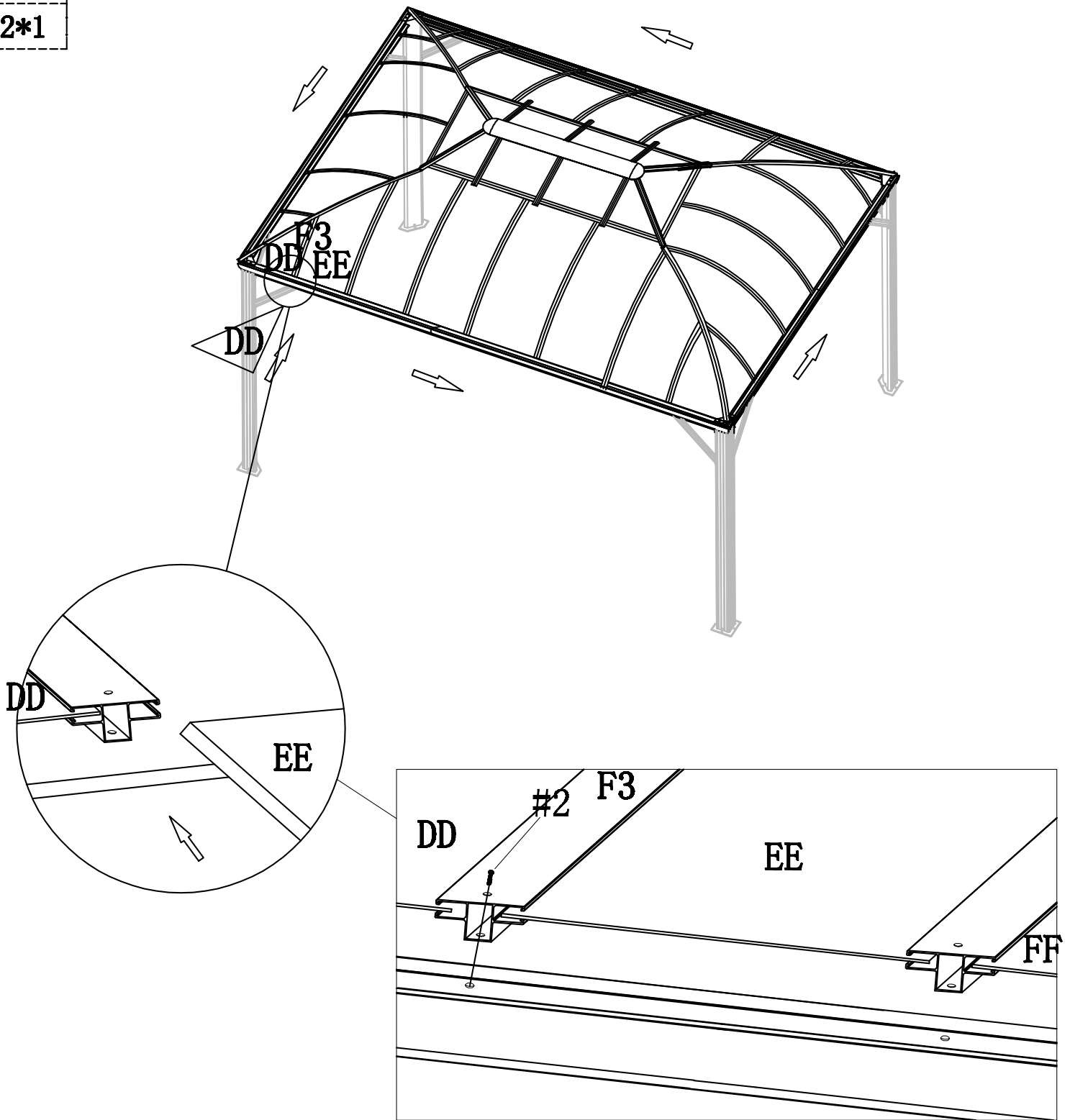
The two seams need to be aligned before the plate

**DON' T
TIGHTEN**

Install the three holes(O1) on the two holes at the bottom of the pipe jacking(D) by bolts(#1). Then combine(F3) and (F4), (F1) and (F2) one side towards the sky, and fix the two holes of the pipe through the bolts(#4), and the lower end on the beam.

STEP 13

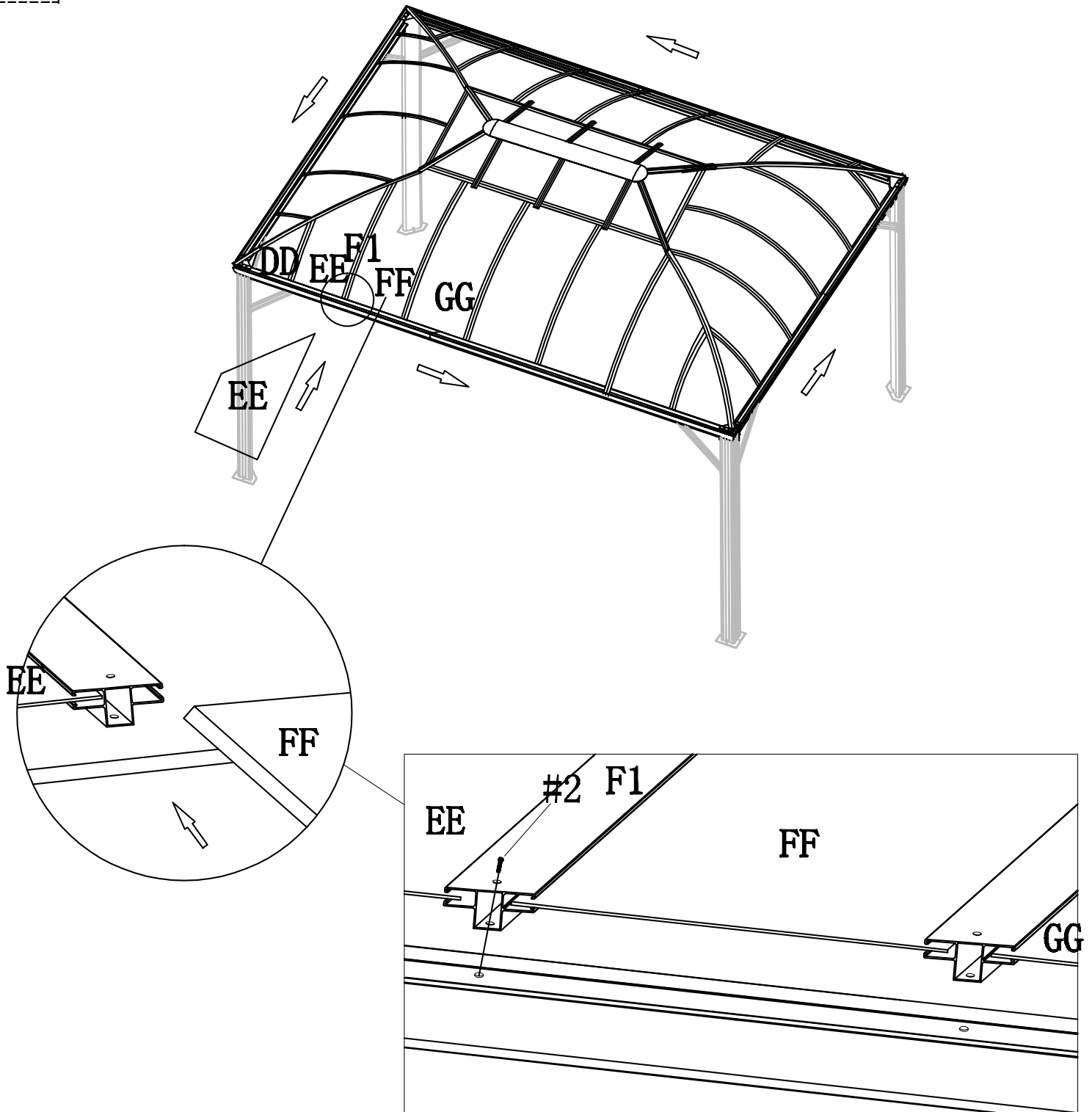
DD*1
EE*1
#2*1



First, the corner board DD is inserted into the position, then the EE adjacent to the DD is also inserted, and then the lower end of F3 is fixed with #2.

STEP 14

FF*1
#2*1

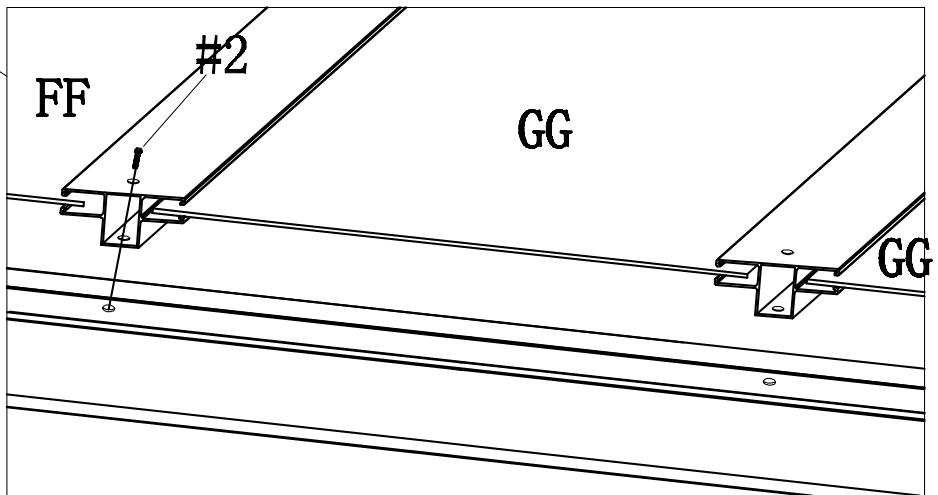
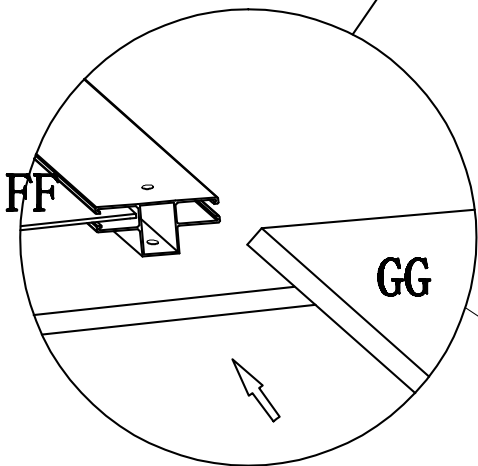
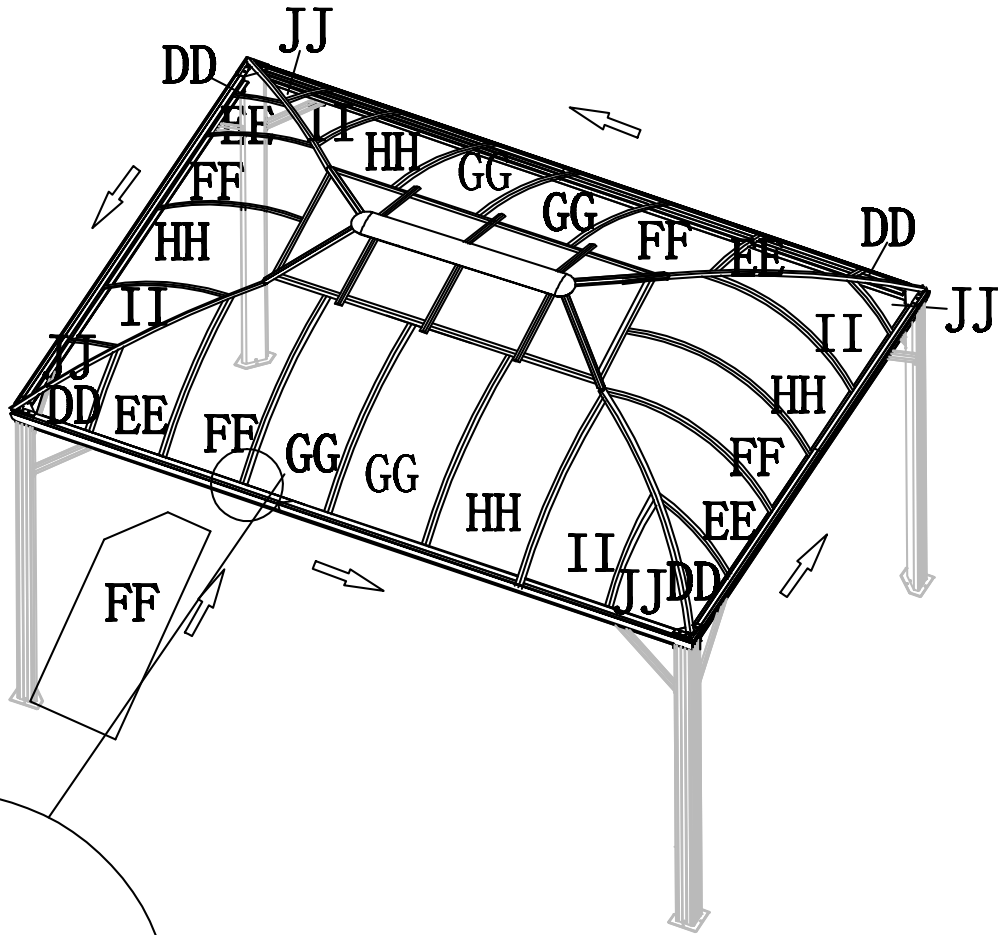


The FF adjacent to EE was inserted, and then the lower end of F1 was fixed with #2.

Assembly Step

STEP 15

FF*3
GG*4
HH*4
DD*3
EE*3
II*4
JJ*4
#2*22

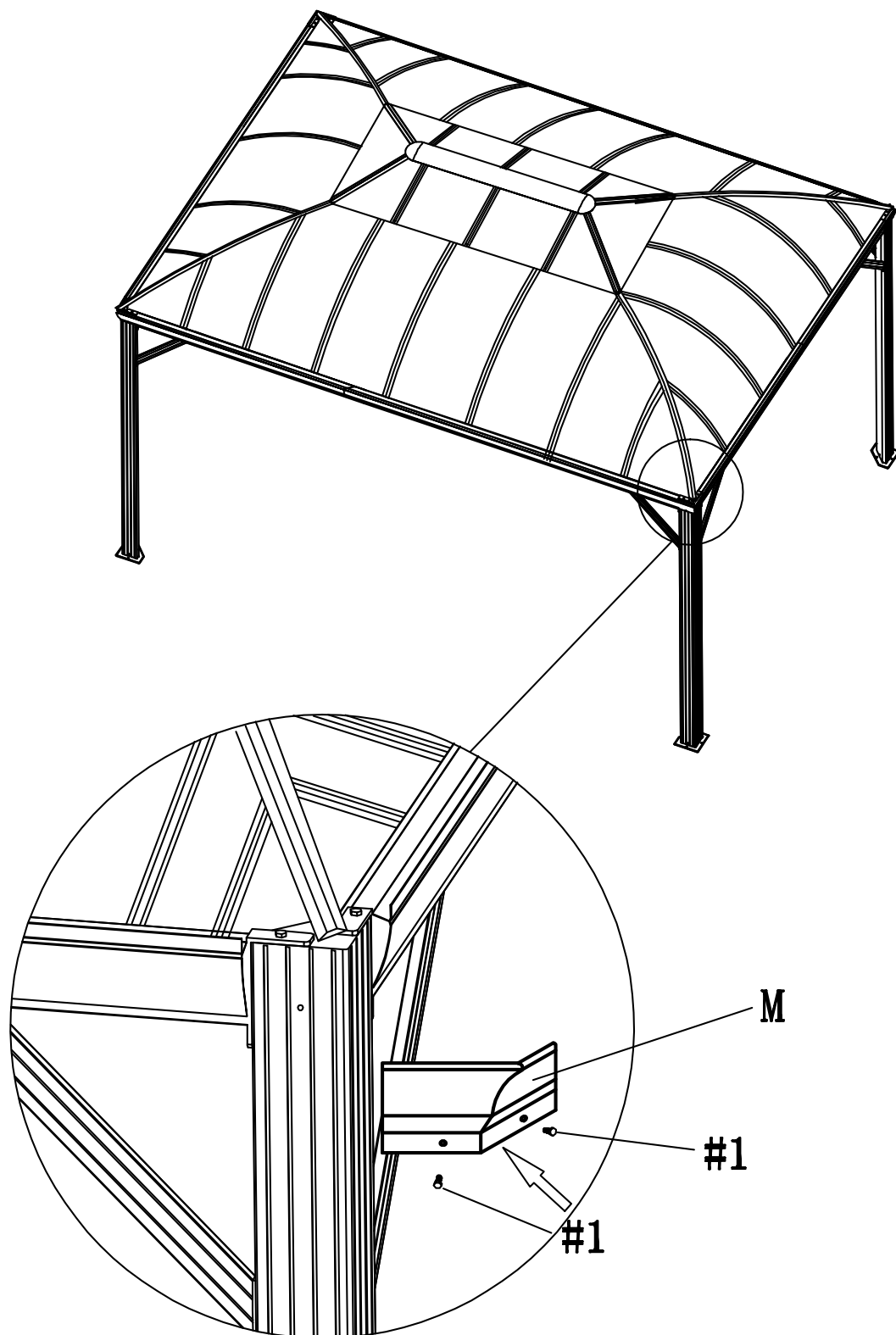


Repeat the above steps and install the plate in the same direction.

Assembly Step

STEP 16

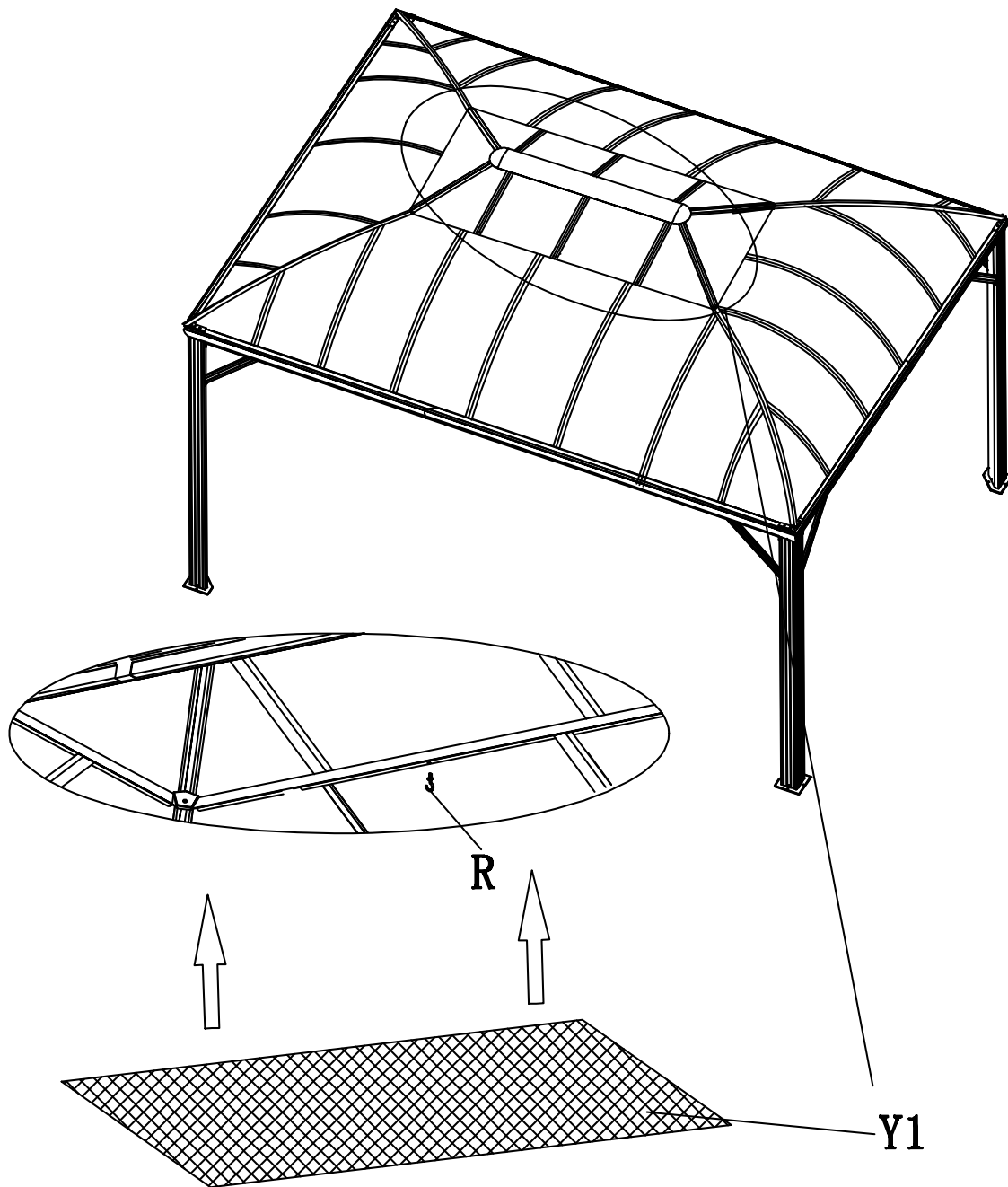
M*4
#1*8



Install the angle as shown.

STEP 17

R*2
Y1*1

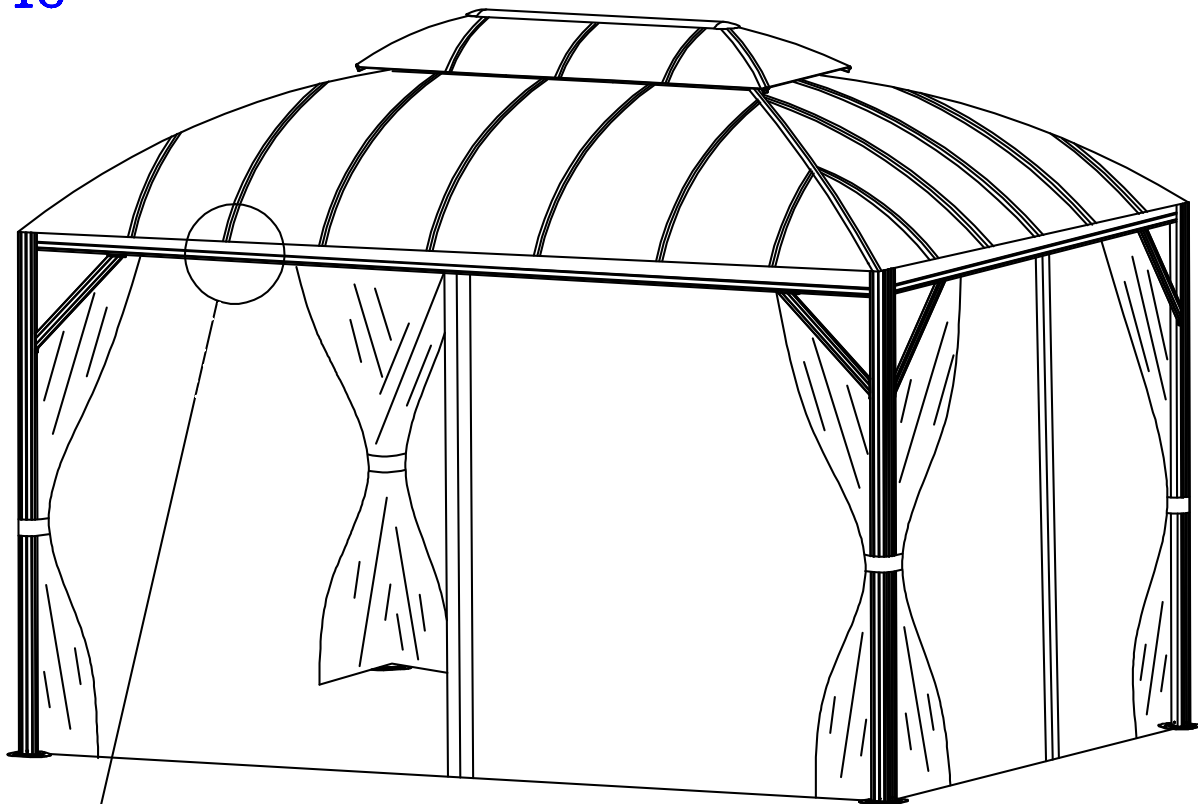


Put the small gauze net flat to the bottom of the top frame through Velcro,
and install the lamp hook.

Assembly Step

STEP 18

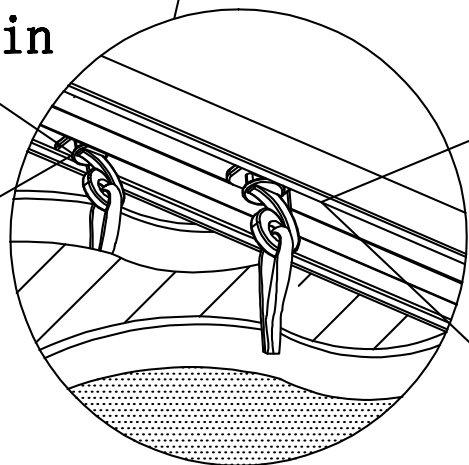
W*1
X*1



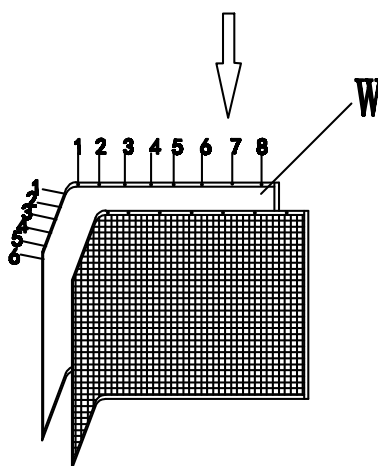
Curtain

Net

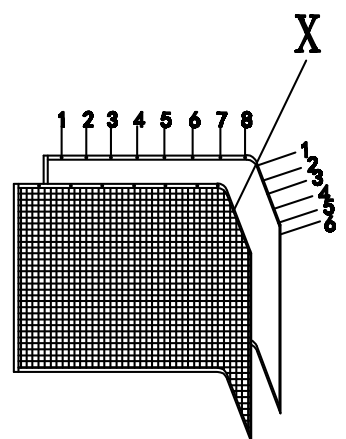
W



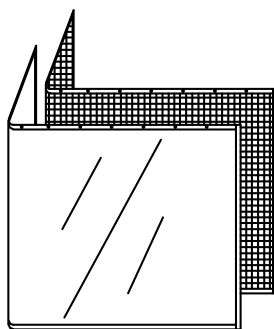
X



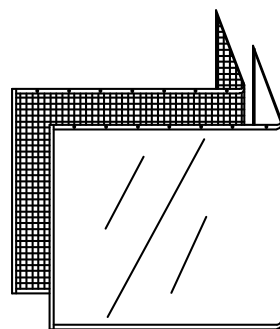
W



X



W

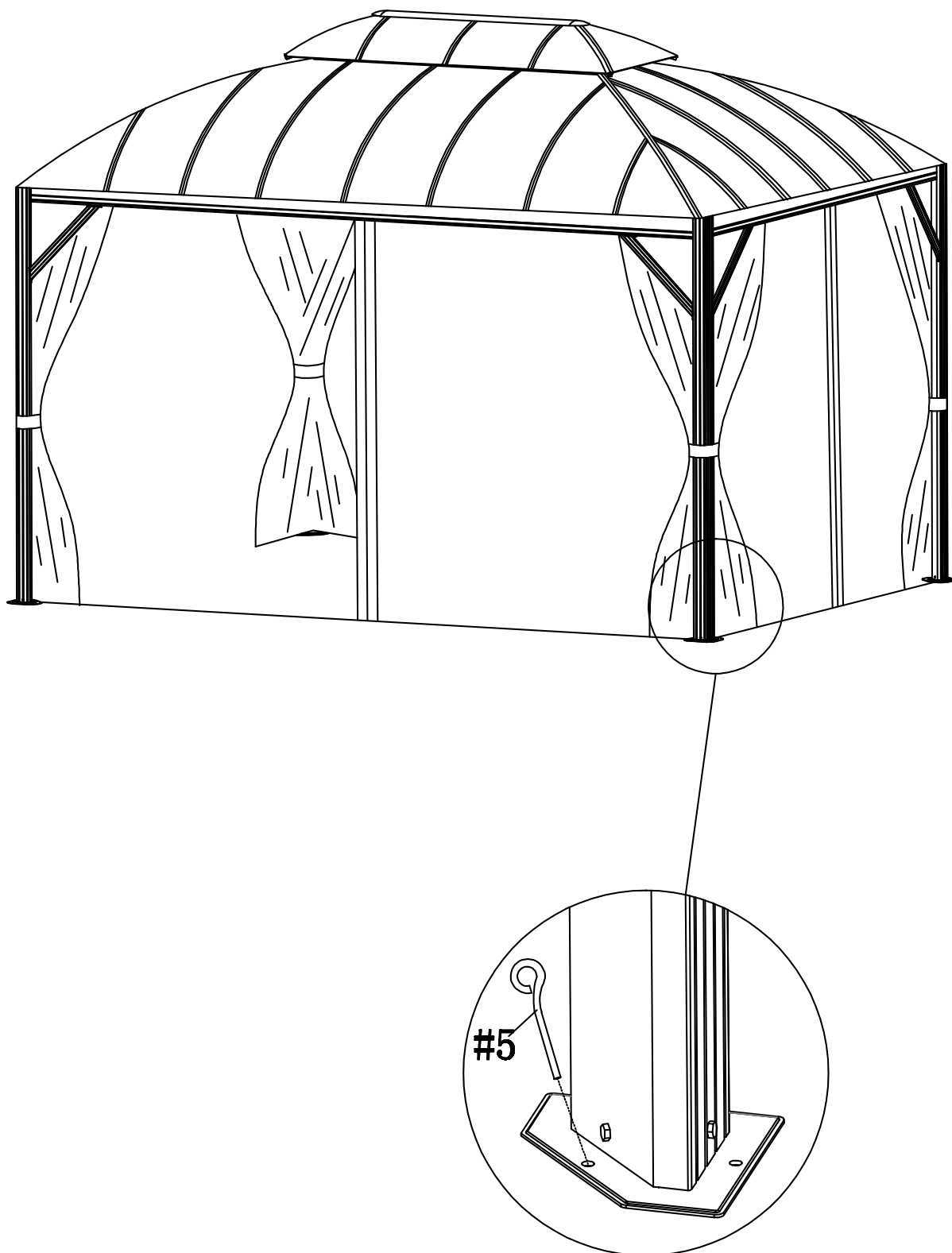


X

As shown in the figure, hang the curtain and gauze net through the hook on the guide rail.
Please note the curtain on the outside and the net on the inside.

STEP 19

#5*4



Use the stakes (#5) for ground fixing. Take note the anchoring devices to use may vary with ground status. Additional anchoring devices are not provided.

