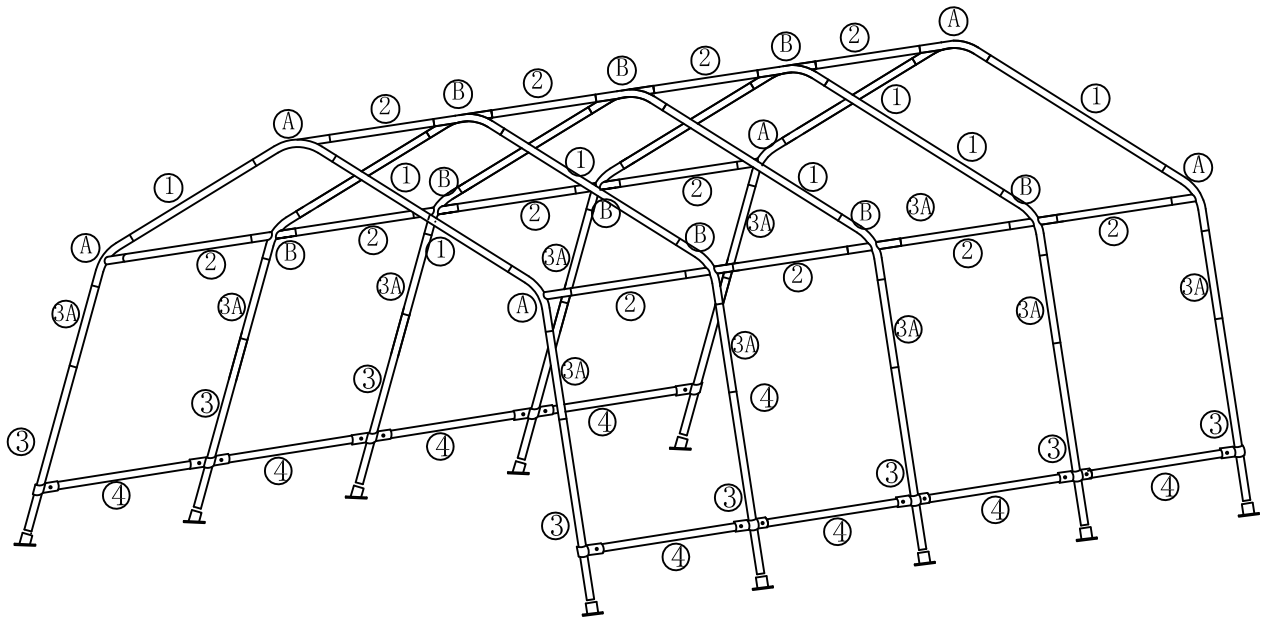
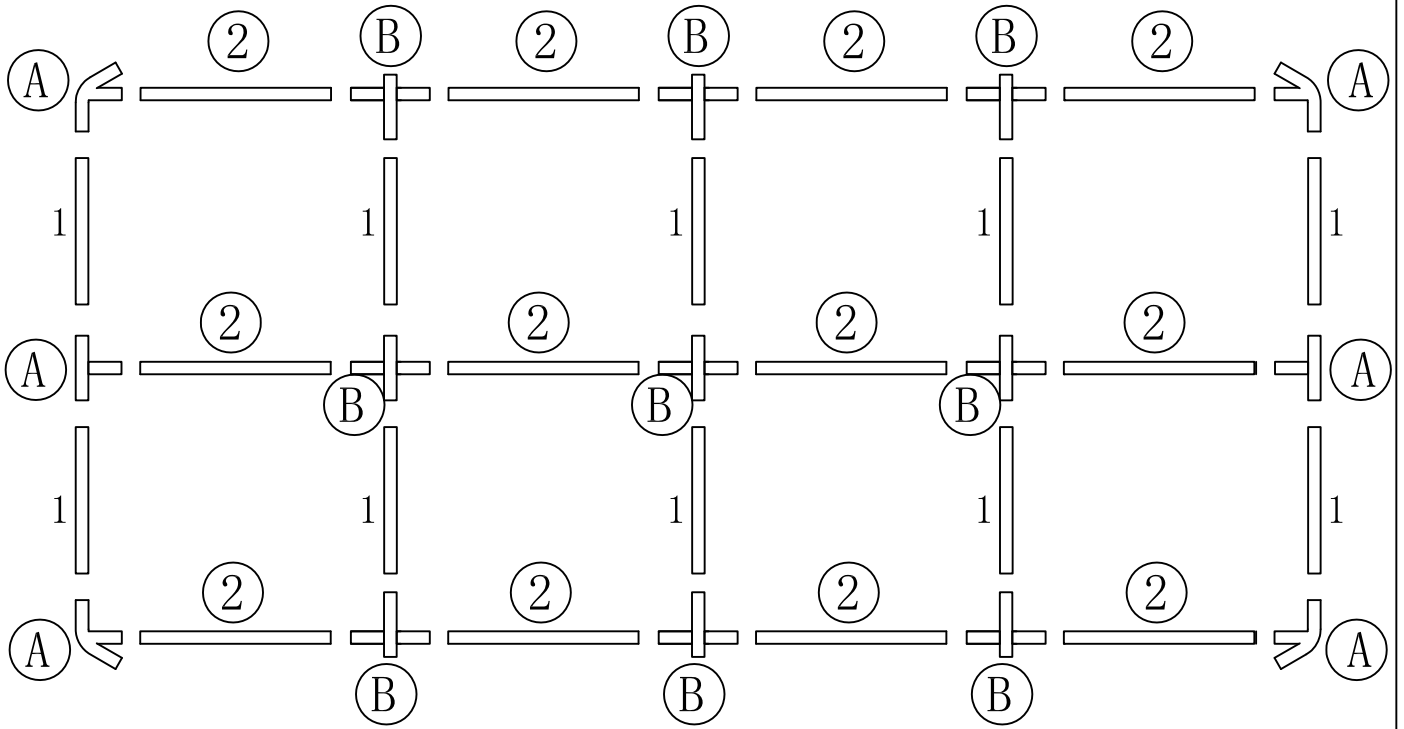


# YYCP005

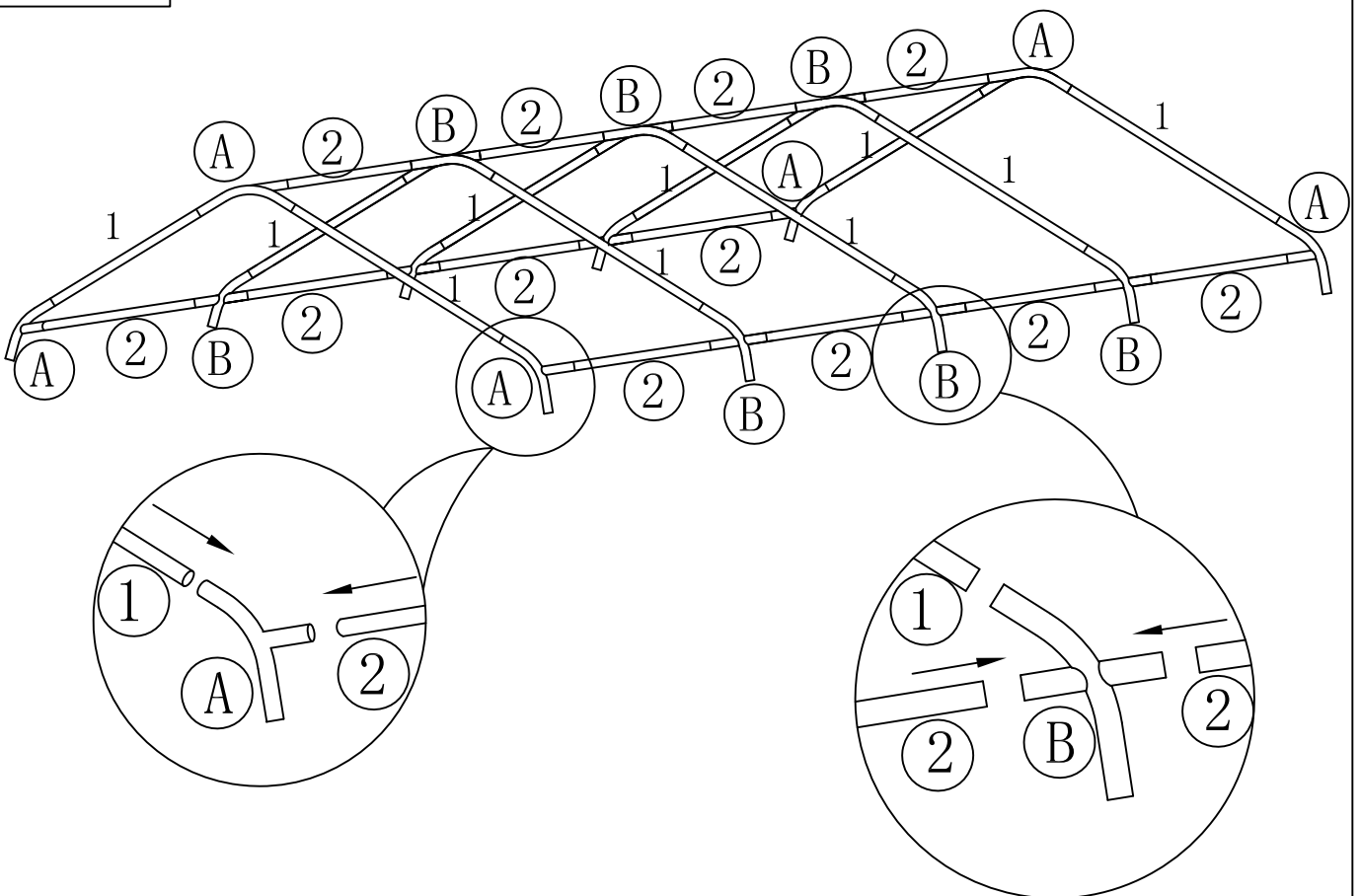


1		10pcs	E#		4pcs
2		12pcs	F#		32+4pcs
3		10pcs	G#	 M8×50	6+1pcs
3A		10pcs	H#	 M6×45	32+1pcs
4		8pcs	I#	 φ4.2*160	30pcs
A		6pcs	J#	 φ5	4pcs
B		9pcs	K#		1pc
C		10pcs	K1#		2pcs
D#		8pcs	L#		4pcs
D1#		12pcs	M#	 M8×50	4+1pcs

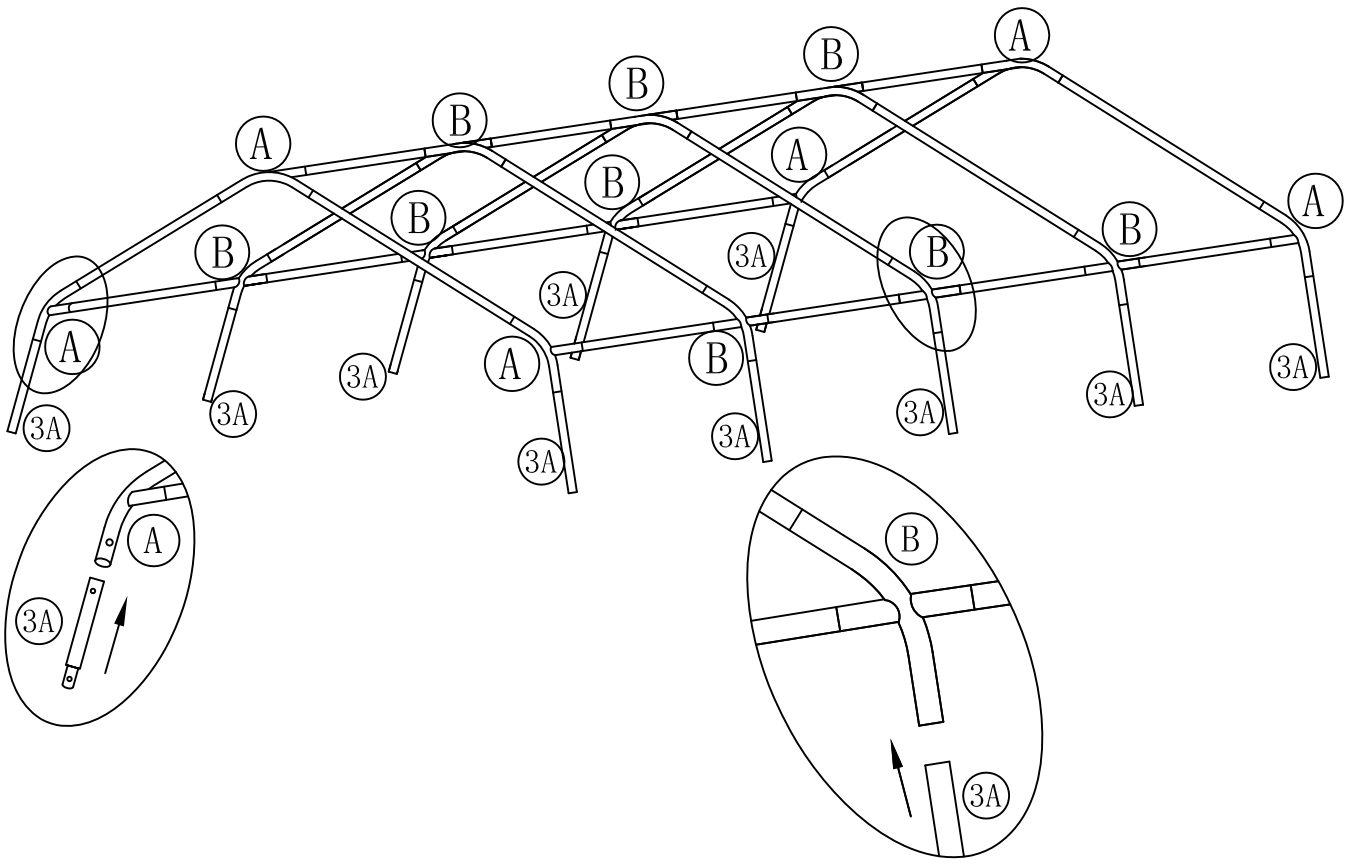
1



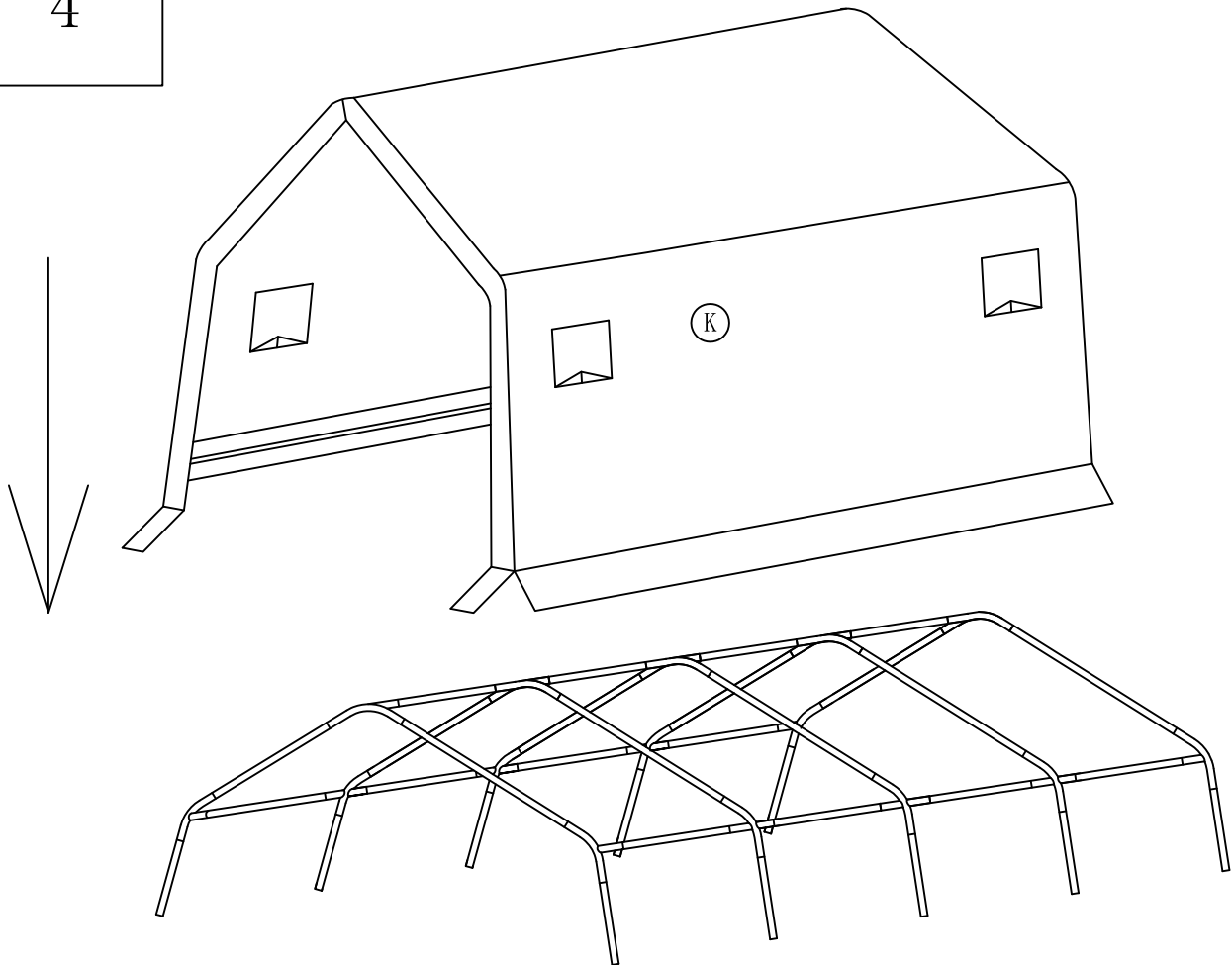
2



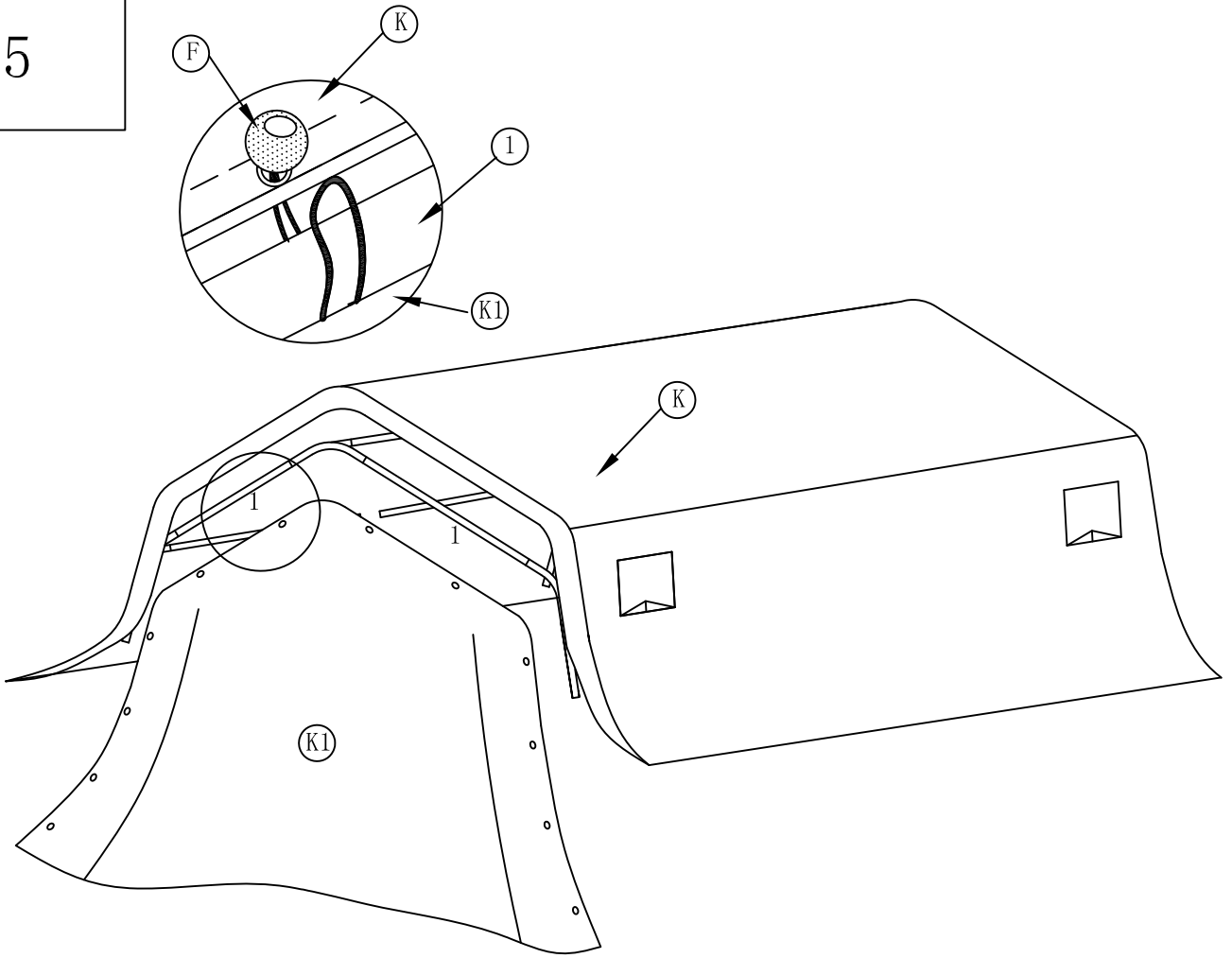
3



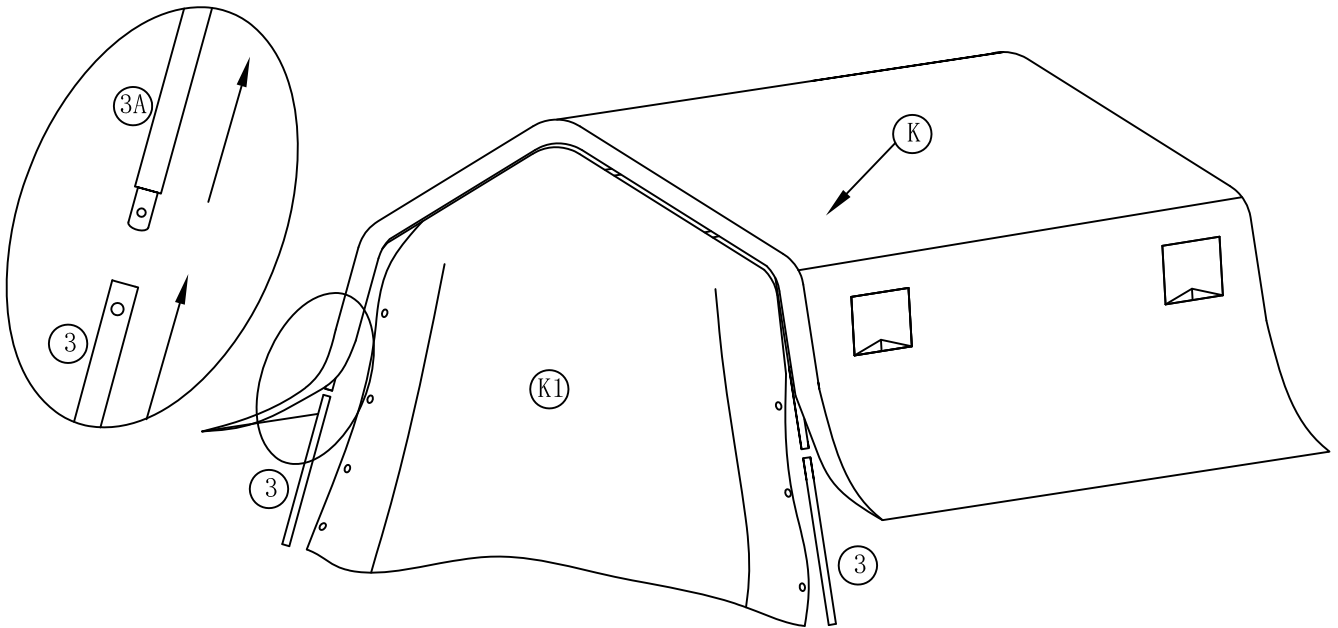
4



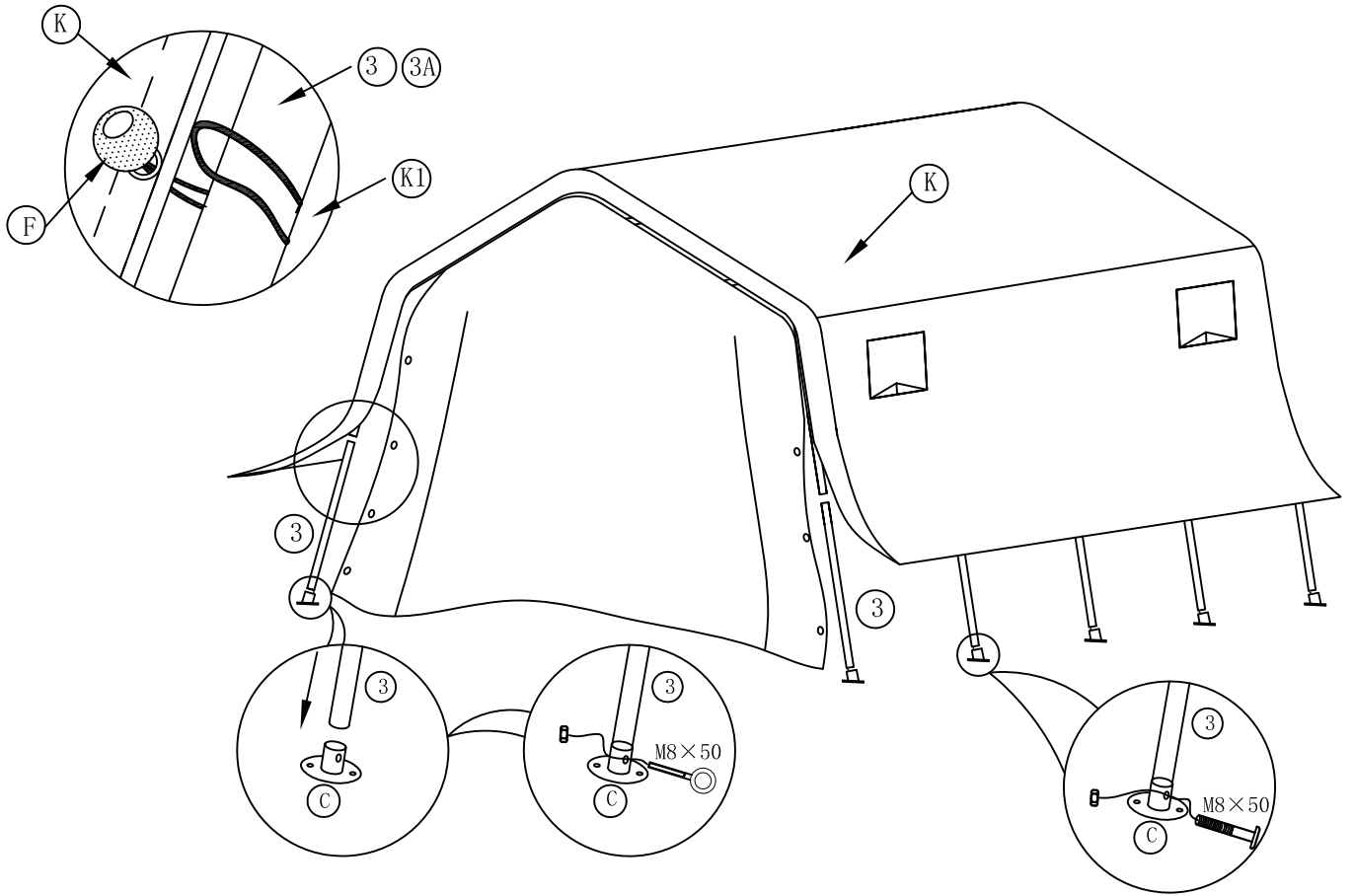
5



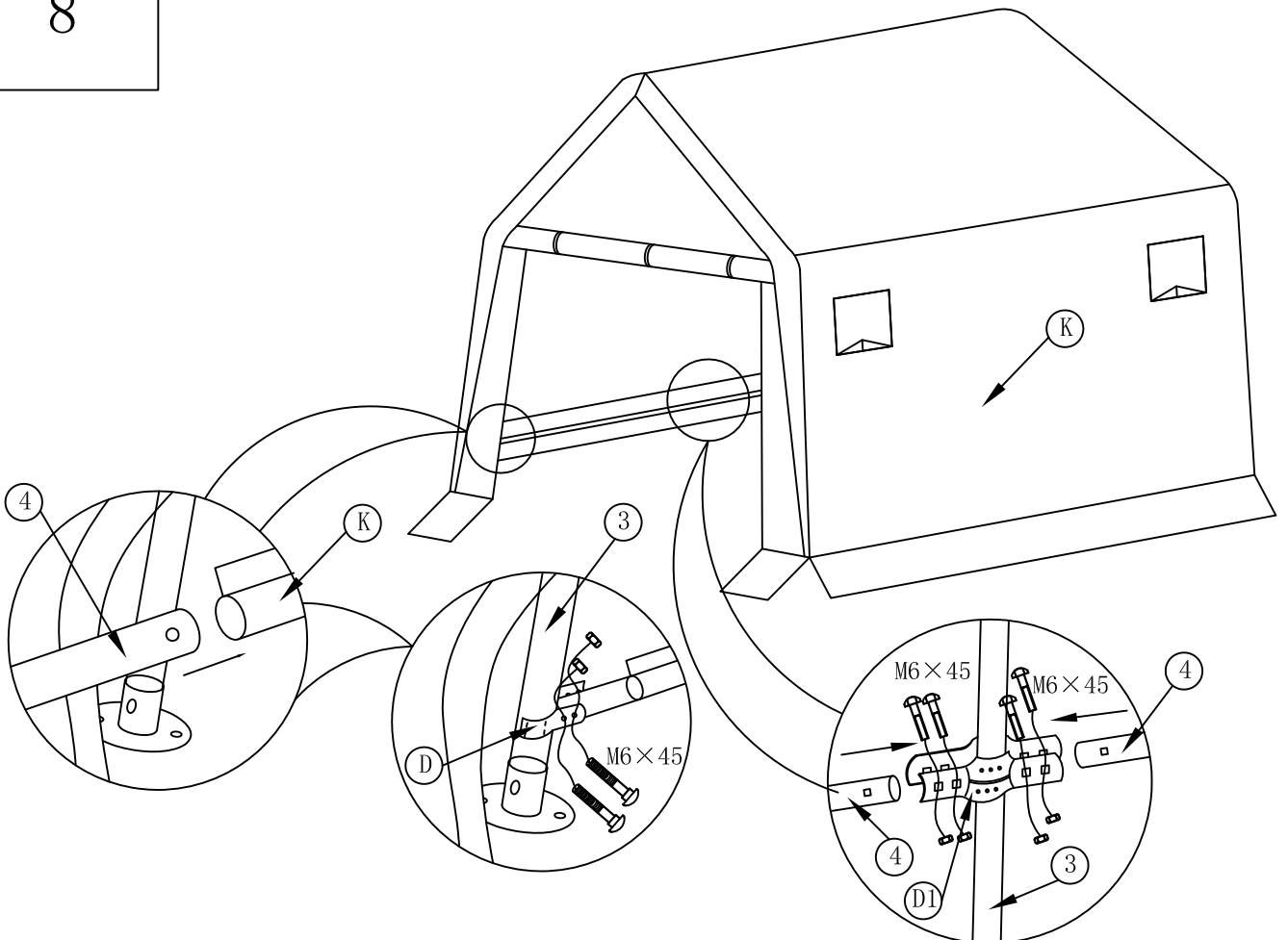
6



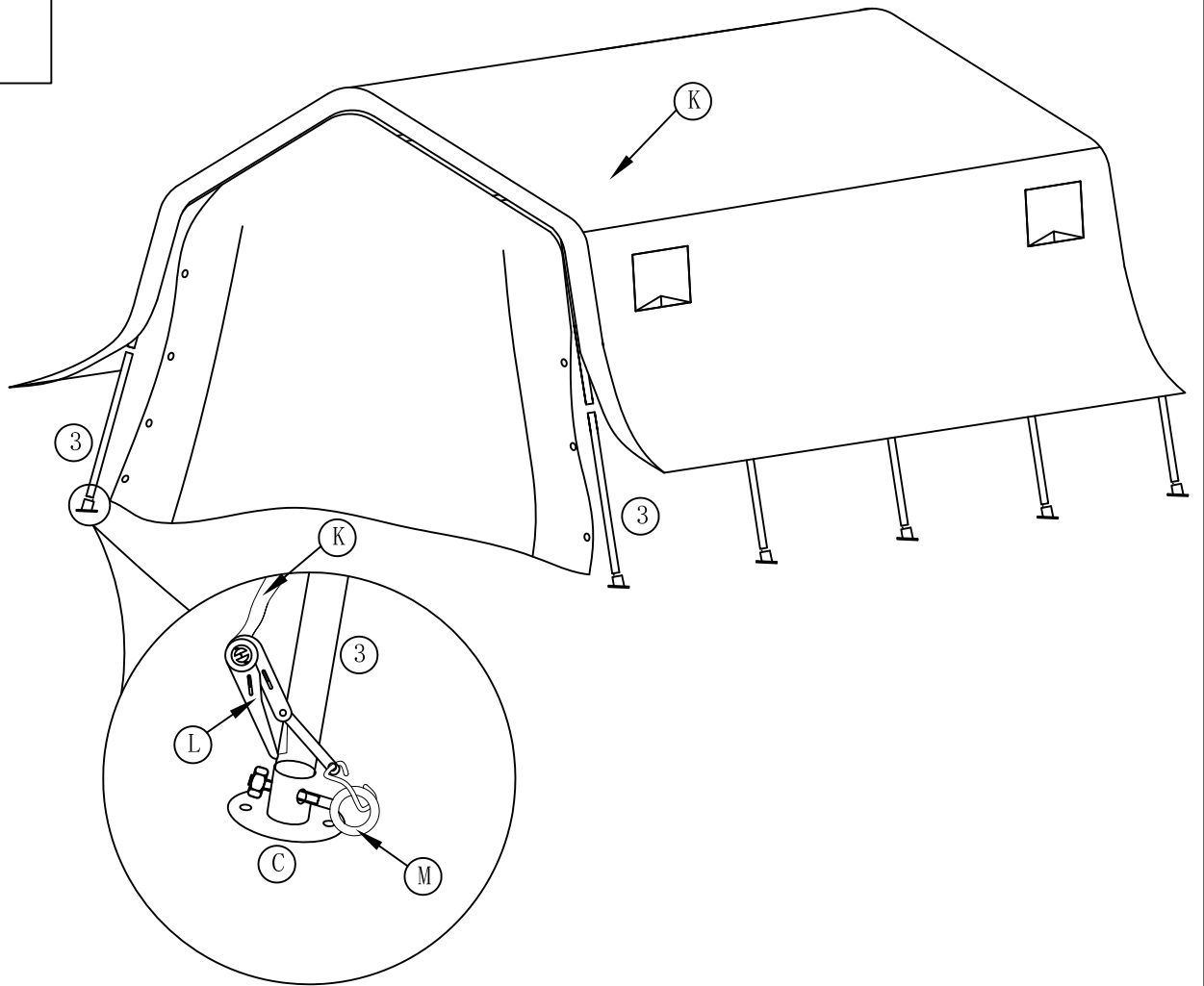
7



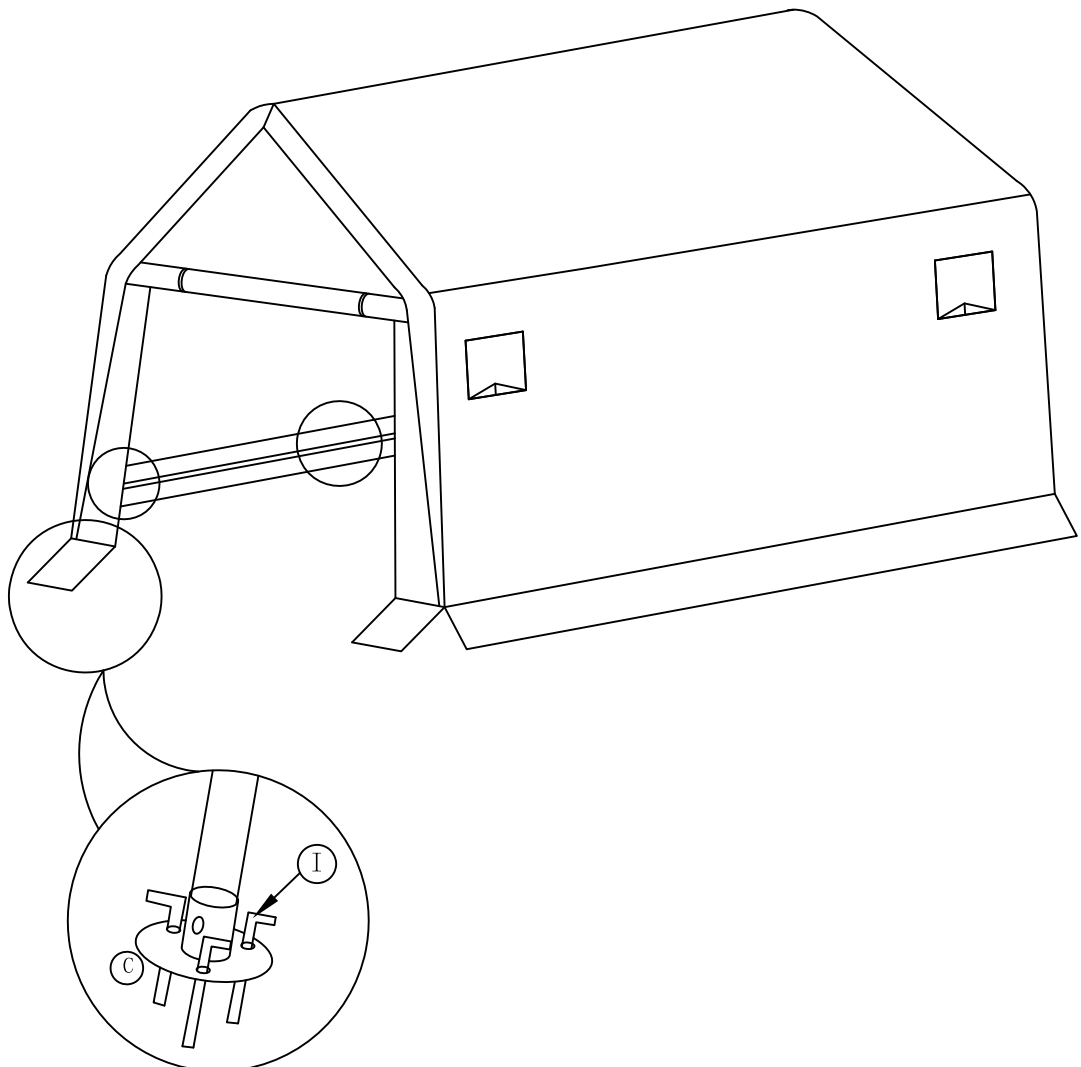
8



9



10



## Securing Ratchet Tie-Downs

**Note:** Use these instructions in the pages that follow.

1. Thread the strap through the Ratchet's (8) spindle as far as it will go

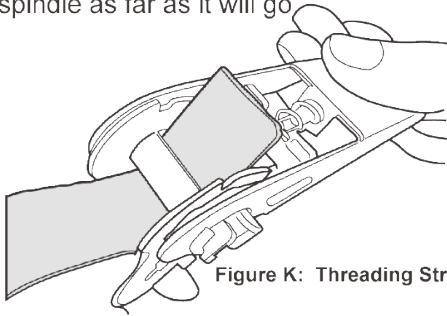


Figure K: Threading Strap through Spindle

2. Insert the S-hook of the Ratchet into the hole in the Corner Leg (6).

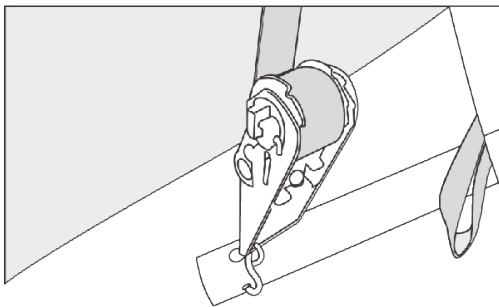


Figure L: Inserting Hook into Corner Leg

3. Lift and lower the Ratchet's handle to wind and tighten the strap onto the spindle.

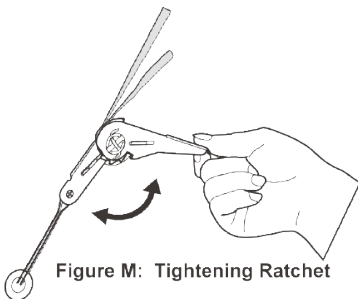


Figure M: Tightening Ratchet

**NOTICE:** Excessive tightening will damage straps, Covers, and Corner Legs.

## Releasing Ratchet Tie-Downs

1. Depress the spring-loaded bar on the handle.
2. Open Ratchet handle completely.
3. Unwind the strap.

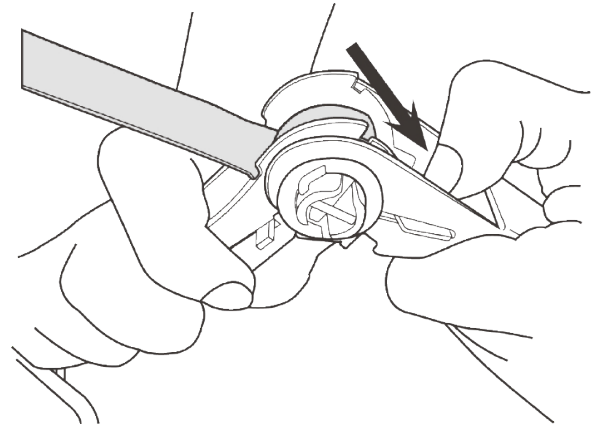
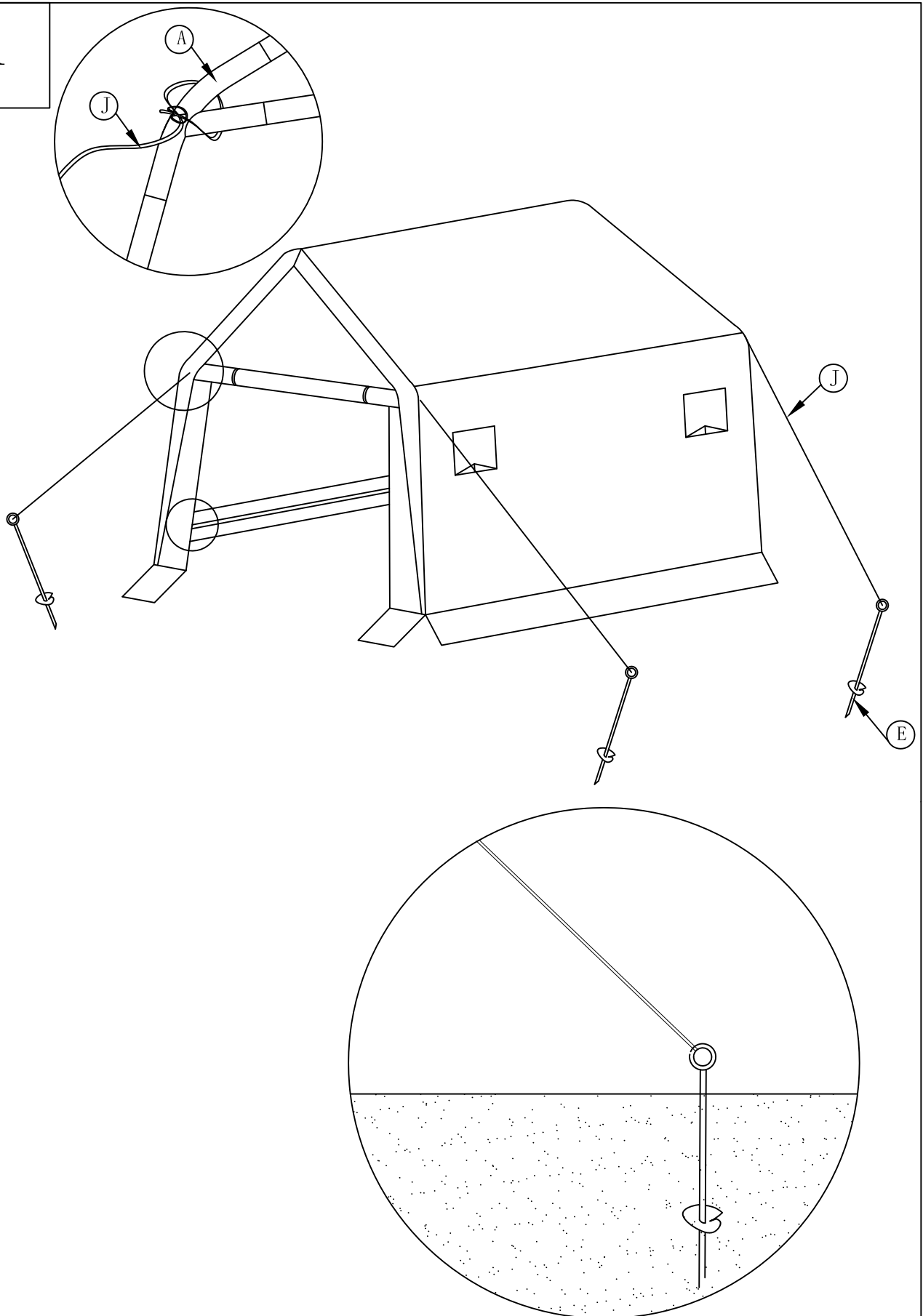


Figure N: Releasing Ratchet



1. Please check the manual carefully and make sure you have received all the parts.
2. If there is any missing, please let us know the letter of the parts you need.
3. If there is any damage, please send clear photos to us, we will check and offer you best solution soon.