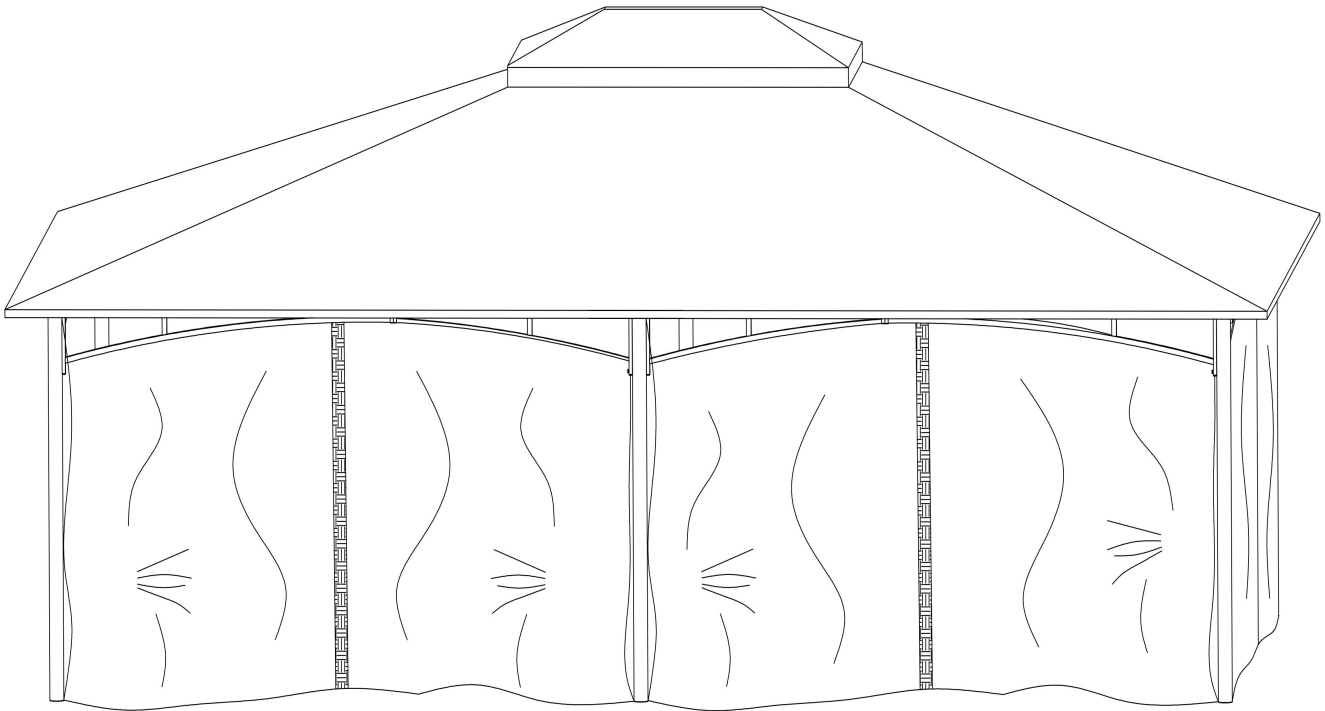
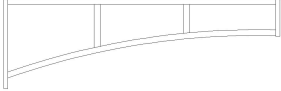
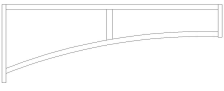



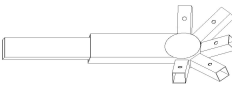






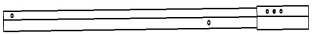
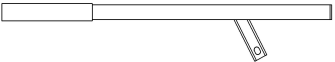
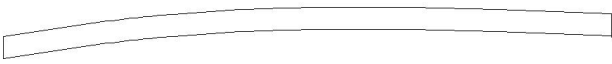
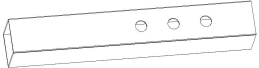

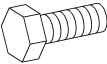


12x20FT

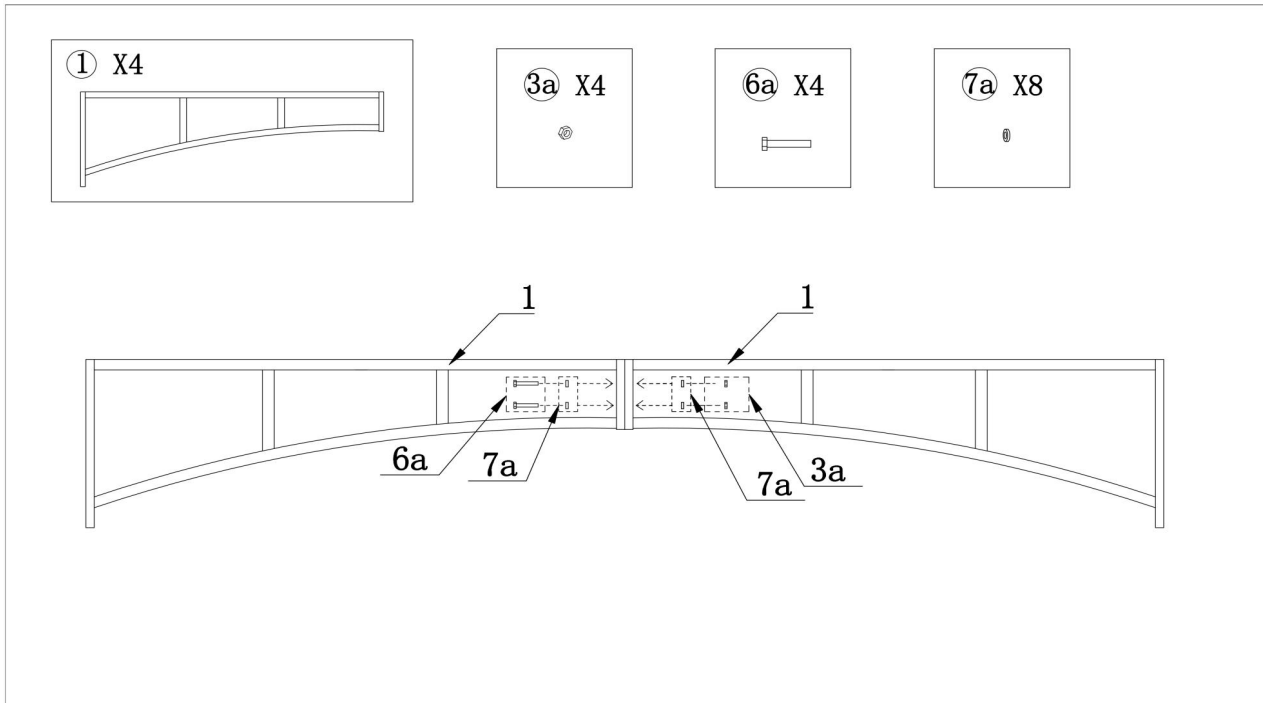
Fabric Gazebo



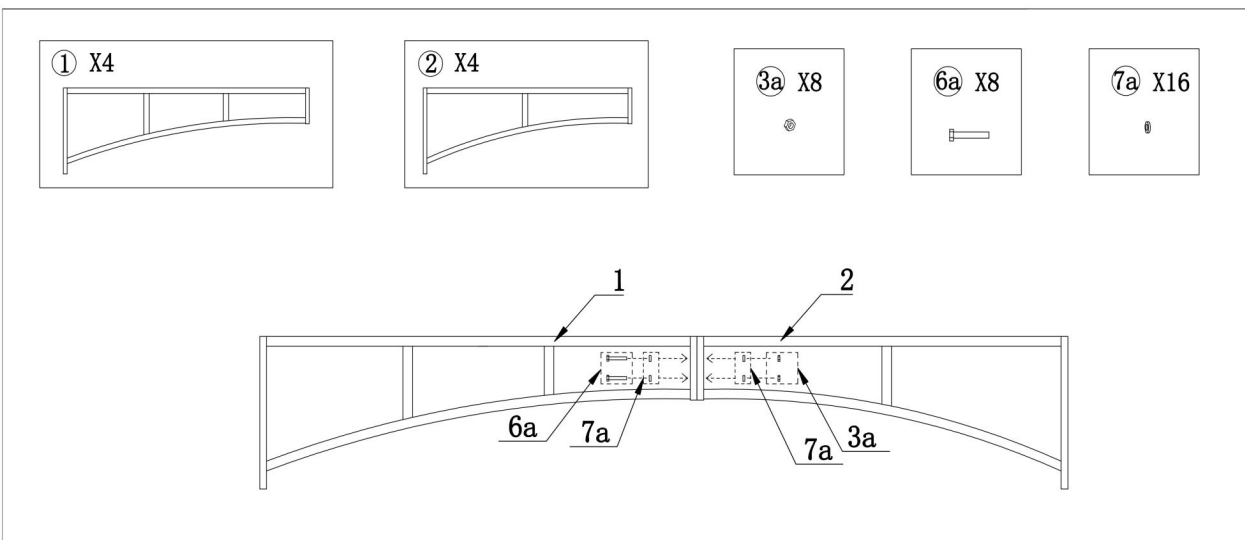
Accessories list

NO.	Name	Pictures	Quantity
1	Long beam		8
2	Short beam		4
3	Leg tube 1		2
4	Leg tube 2		4
1a	Top fork		1
2a	Top fork		1
5	Short guide rail		4
6	Long guide rail		8
7	U-shaped piece		6
8	Upper Jacking Pipe (Angle)		4
9	Upper Jacking Pipe (Edge)		6
10	Lower Jacking Pipe (Angle)		4
11	Lower Jacking Pipe (Edge)		2
12	Lower Intubation		6
13	Upper Stiffener		2
14	Adjusting rod		4
3a	Nut		20
4a	Screw	 M6X15	6

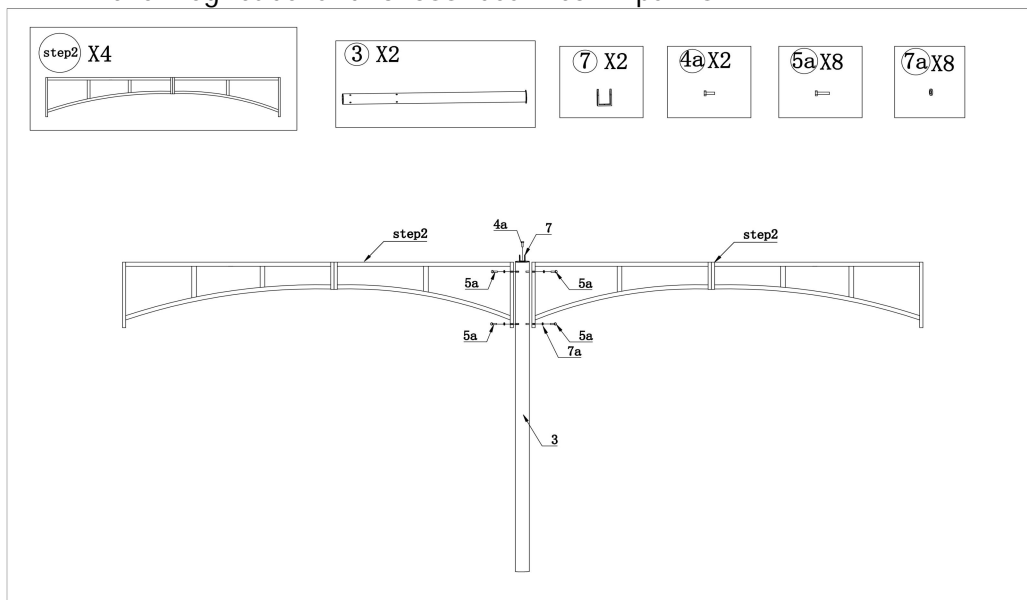
Step 1: As shown in the figure below, splice 2 pairs



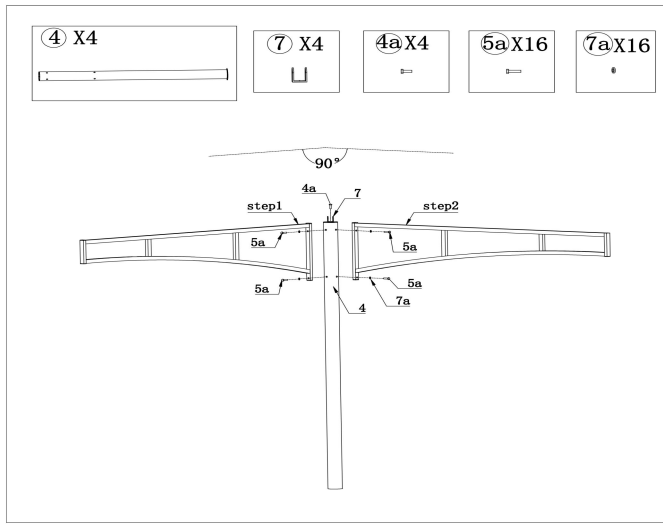
Step 2: As shown in the figure below, splice 4 pairs



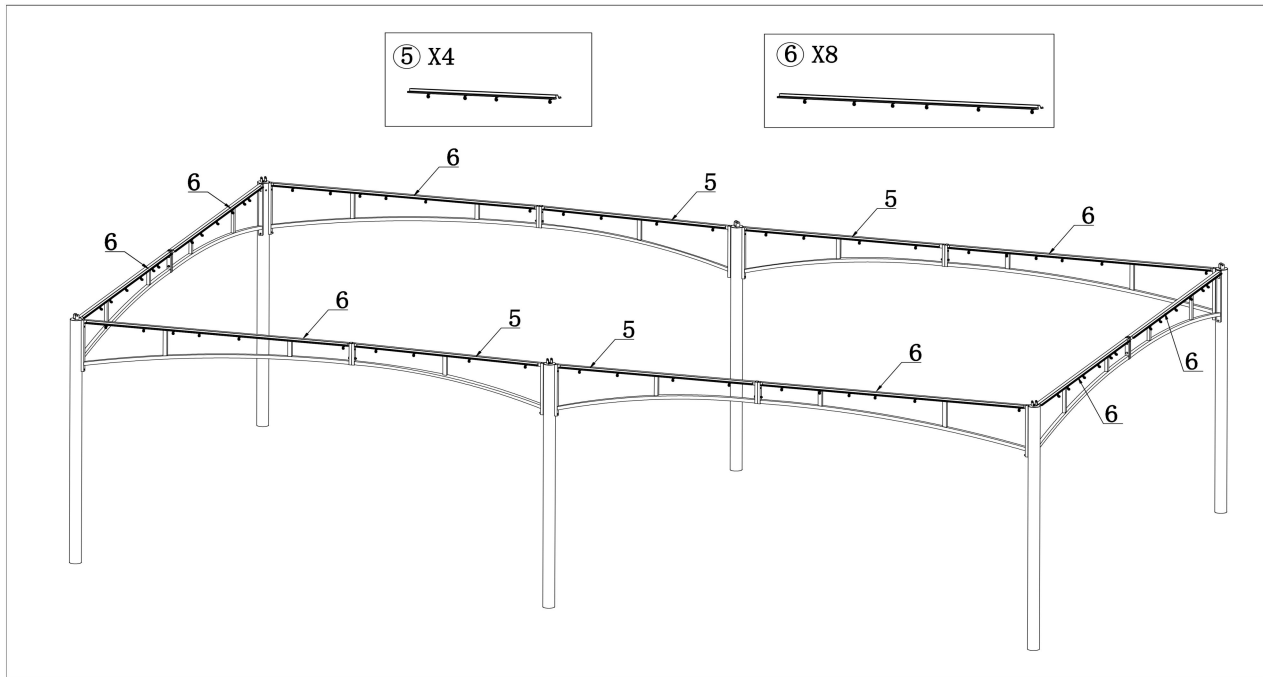
Step 3: Link the leg tube and cross beam to 2 pairs



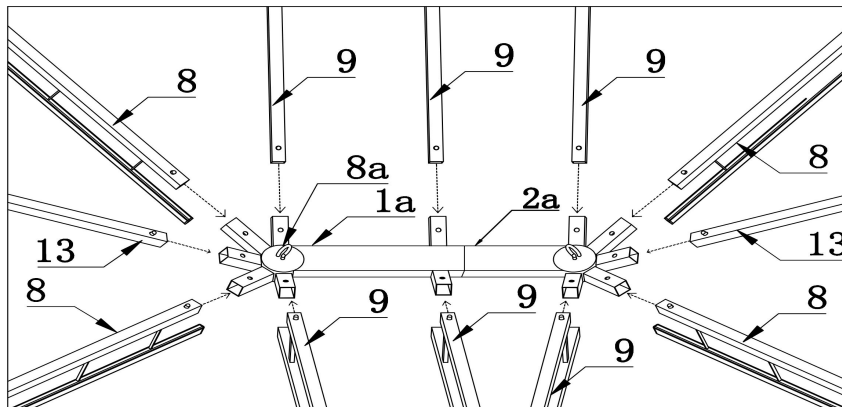
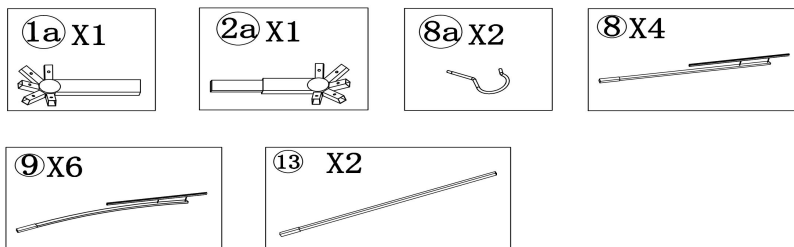
Step 4: Connect the corners to 4.



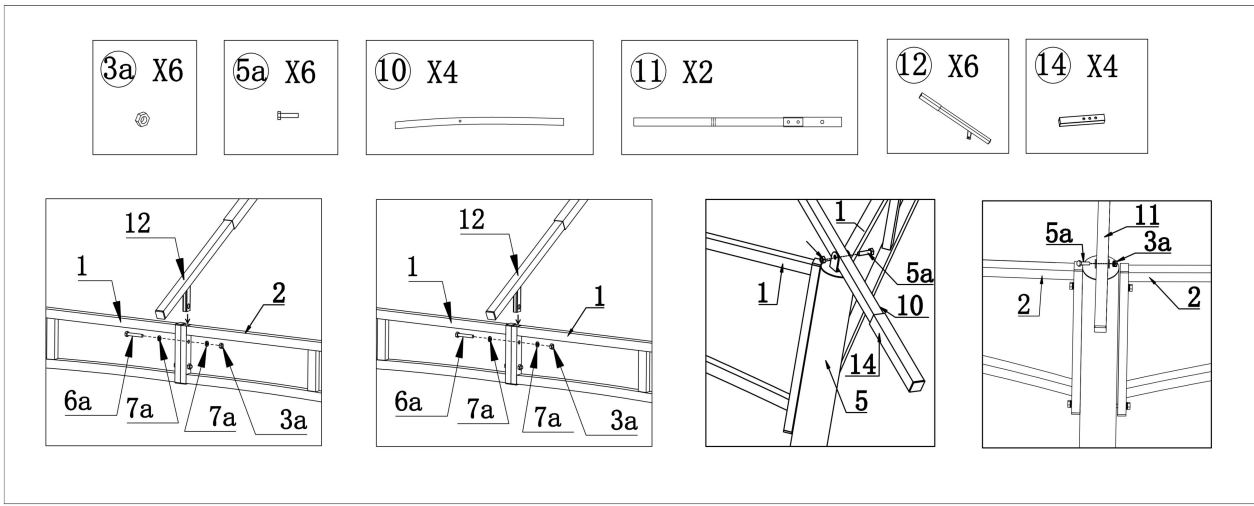
Step 5: Install the guide rail.



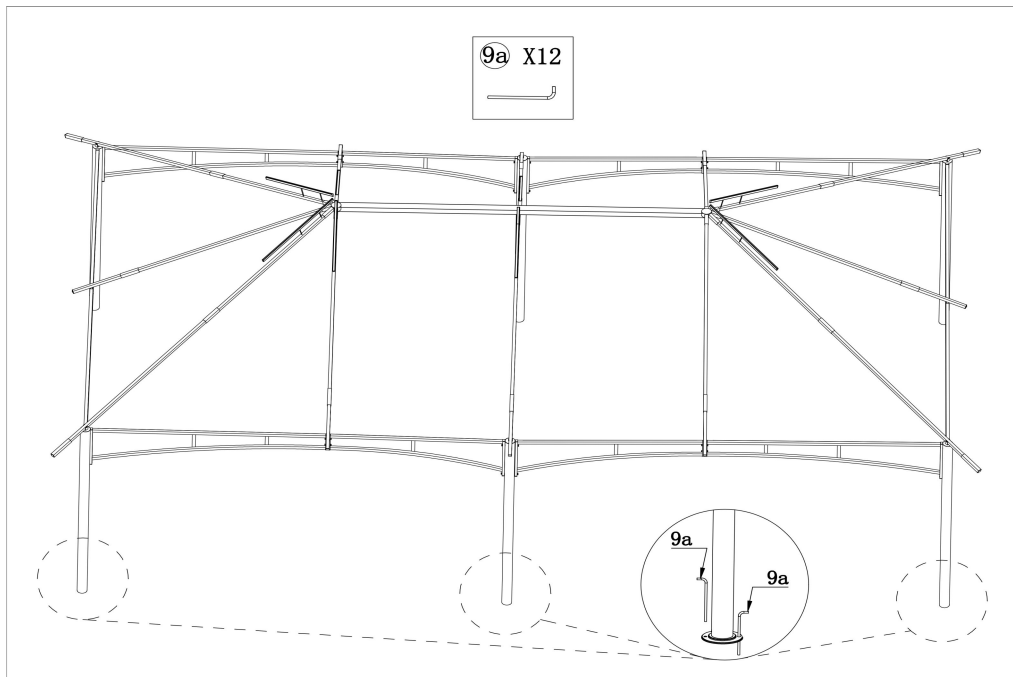
Step 6: Connect and install the top fittings.



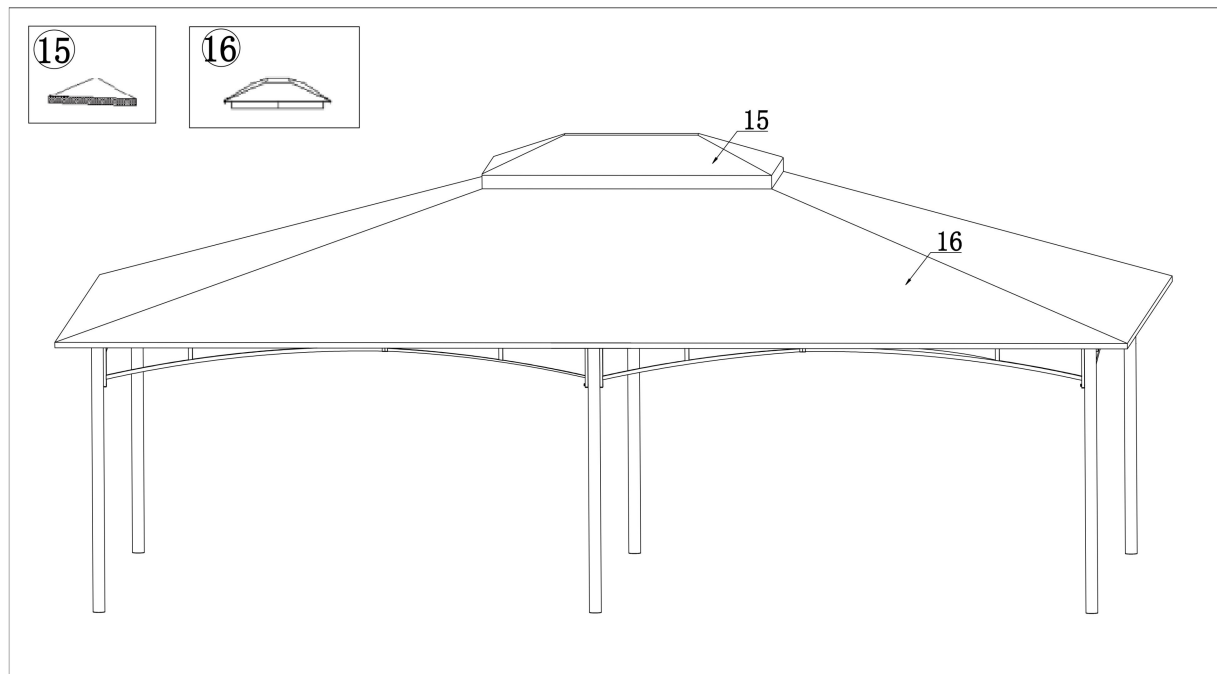
Step 7: Connect and install the pipe jacking to each beam.



Step 8: After the connection is installed, as shown in the figure below, and install the ground nail to fix it.

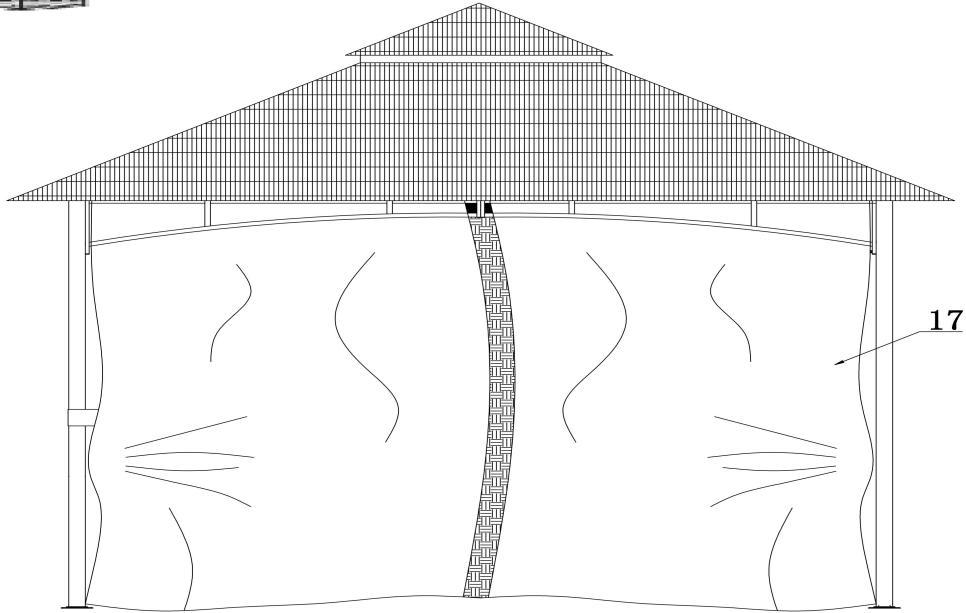


Step 9: Install ceiling.



Step10: Install the cloth and gauze.

17



18

