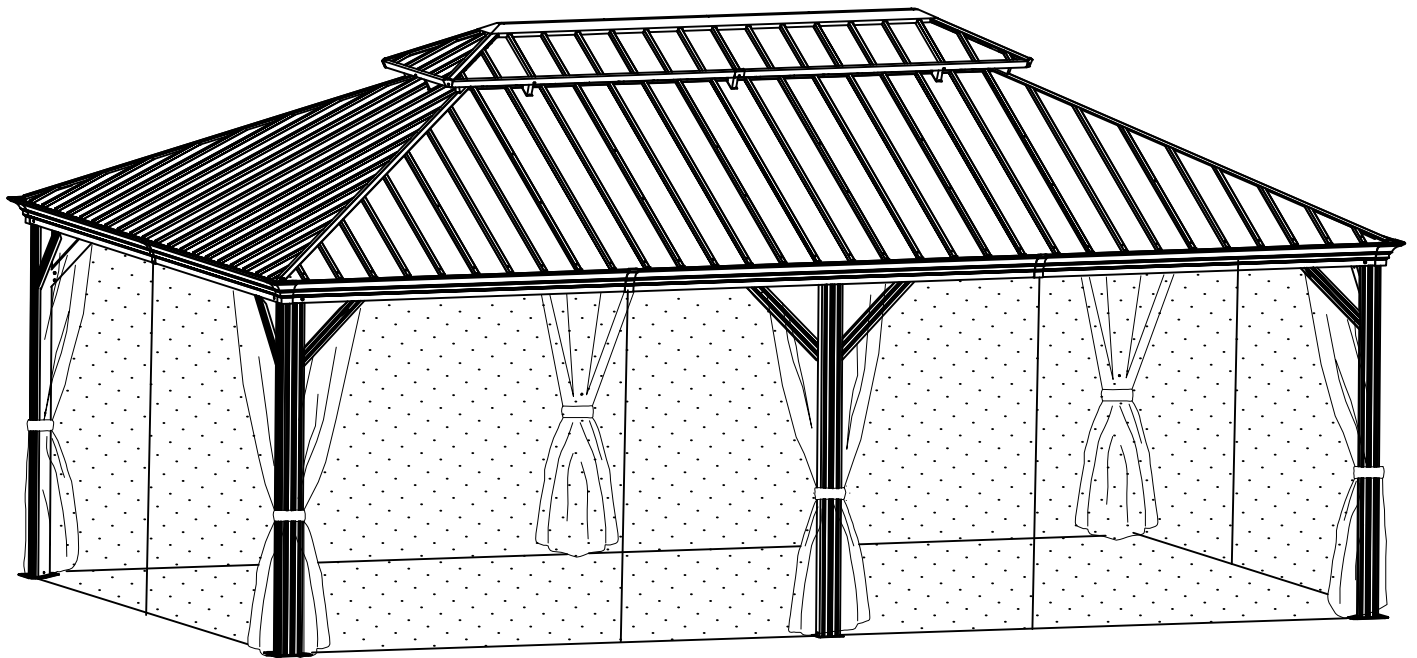


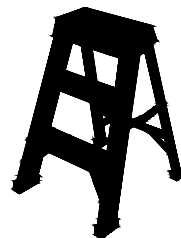
# 14 x 22FT

□ □ □ □ □ □ □ WQG040MS □ □ □ □ □ □ □ □



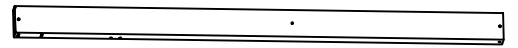
Need at least five people to work together

## REQUIRED TOOLS





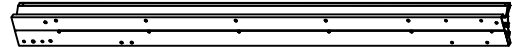
A 4x



A3 2x



B11 4x



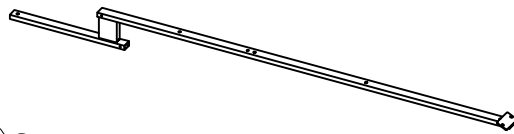
B12 4x



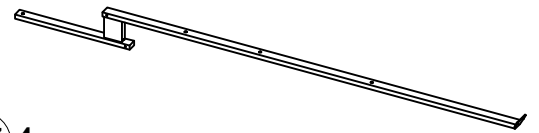
B21 2x



E4 4x



E6 2x



E7 4x



E8 2x



E5 4x



C3 4x



C4 4x



C7 2x



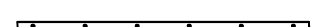
C8 2x



D13 4x



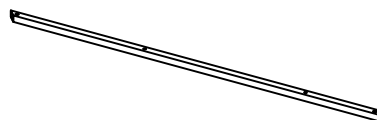
D14 4x



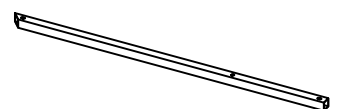
D21 2x



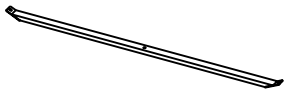
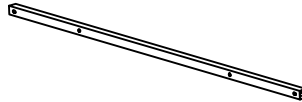
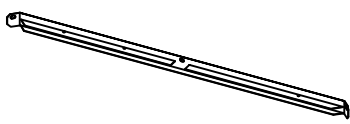
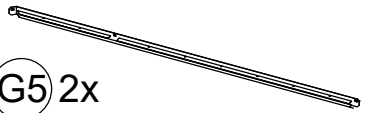

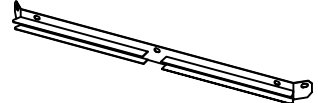
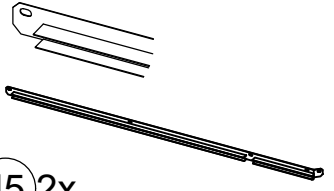

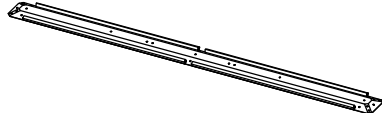
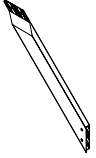
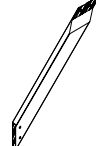
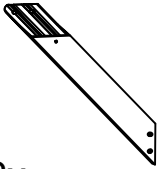
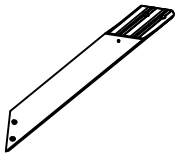
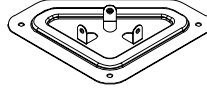
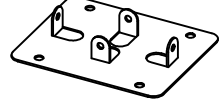
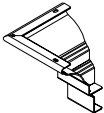
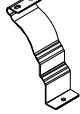
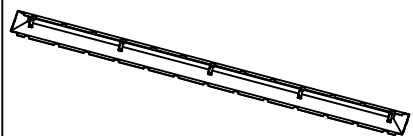

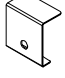
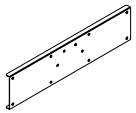
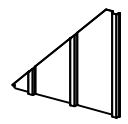
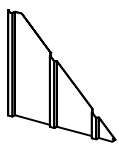
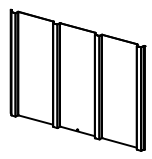
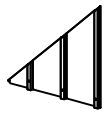
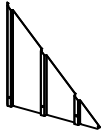



D22 2x




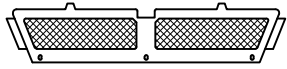


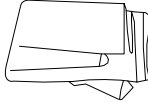
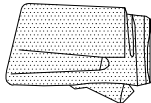

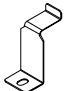
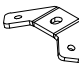
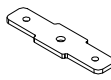


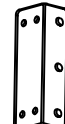

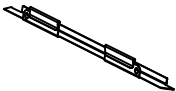
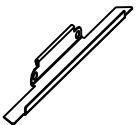
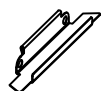





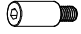


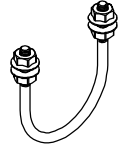


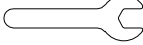



F6 8x



F7 8x

			
F8 3x	F11 8x	G1 2x	
			
G5 2x	G6 2x	I1 2x	
			
I5 2x	I6 2x	L4C 1x	
			
H 4x	H1 4x	H3 2x	H4 2x
			
J 4x	J1 2x	K 4x	K1 6x
			
M4 1x	N 8x	N1 2x	P 6x
			
S1 4x	S2 4x	S3 8x	R1 4x
			
R2 4x	R3 4x	R4 4x	P5 4x

 P6 4x	 P9 8x	 P10 4x	 V1 2x
 V4a 2X	 V4b 2x	 T 4x + 2x	 T1 4x + 2x
 U 168x	 V 6x	 W 8x	 W1 16x
 W3 8x	 W4 12x	 W5 4x	 Y 144x
 Z 72x	 Z1 16x	 Z2 8x	 1 433x M6x15
 2 104x M6x23	 4 28x ST 4.8x12	 5 3x	 7 40x M6x47
 8 16x	 9 12x M6x10	 10 20x	 11 2x
 12 2x 4mm	 13 1x 6mm	 14 1x	 15 48x M5x15

<1>

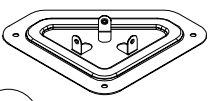
A 4x



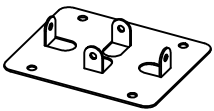
A3 2x



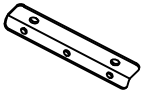
J 4x



J1 2x



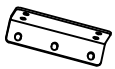
W3 8x



W4 12x



W5 4x



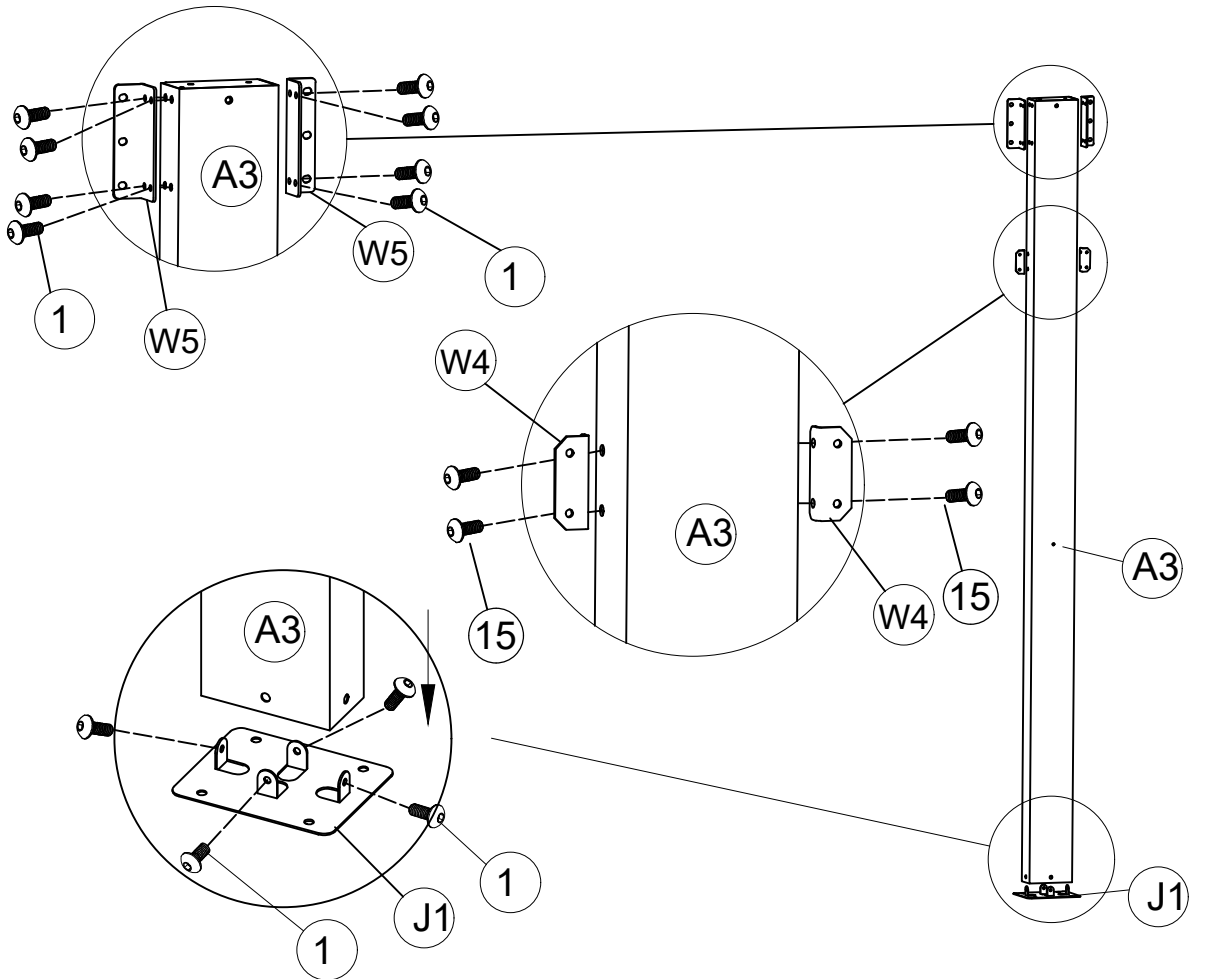
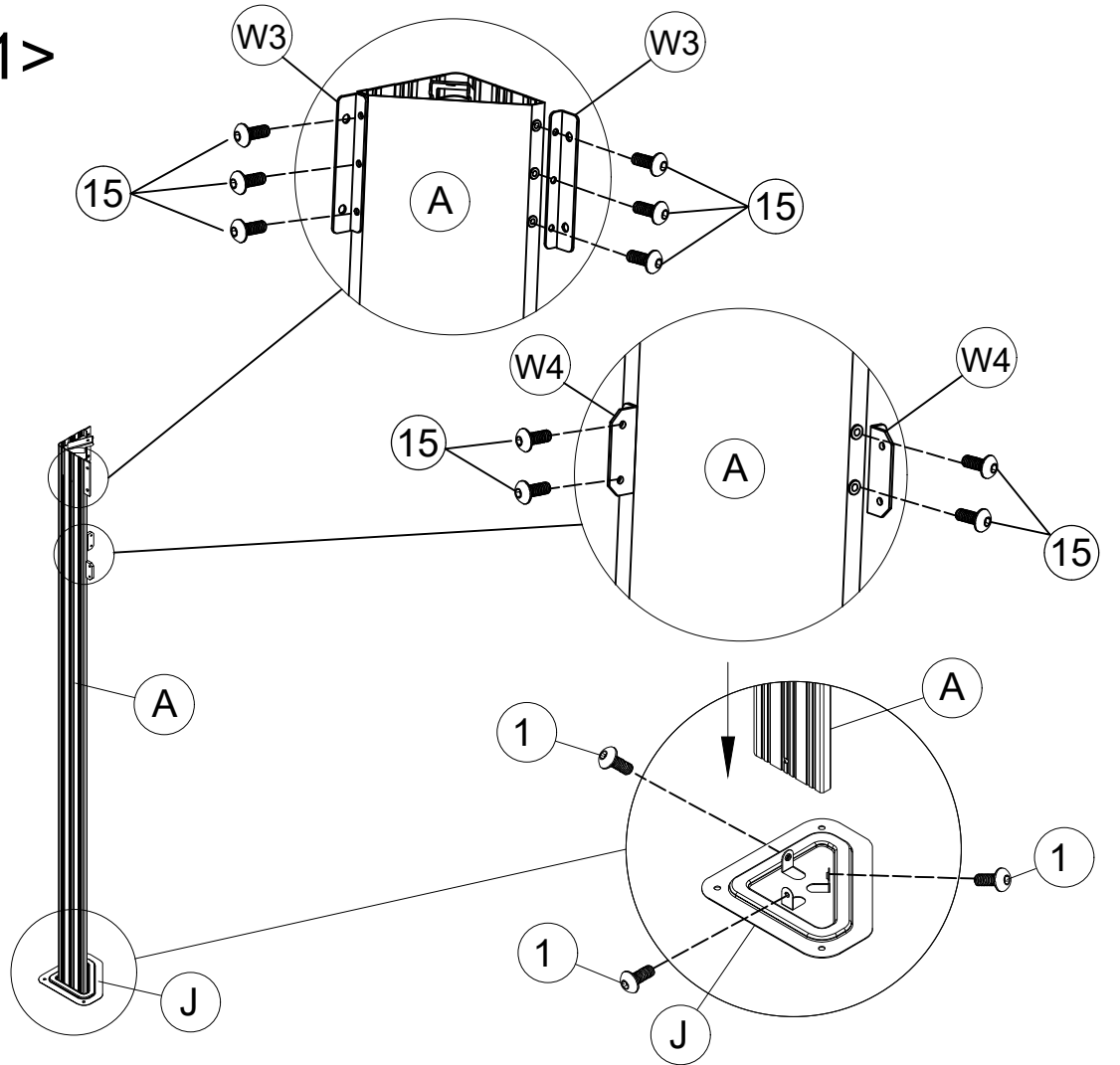
1 36x  
M6x15



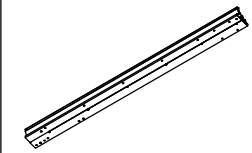
15 48x  
M5x15



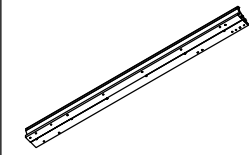
5



<2>



B11 4x



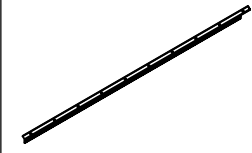
B12 4x



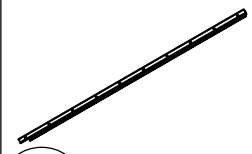
C3 4x



C4 4x



D13 4x

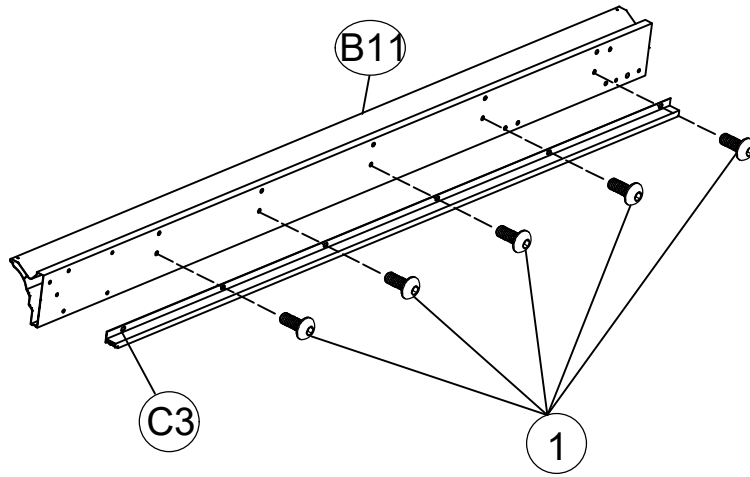


D14 4x

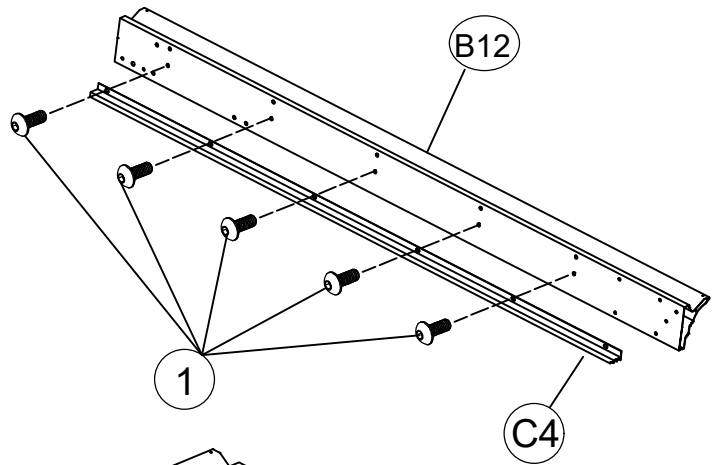


1 80x M6x15

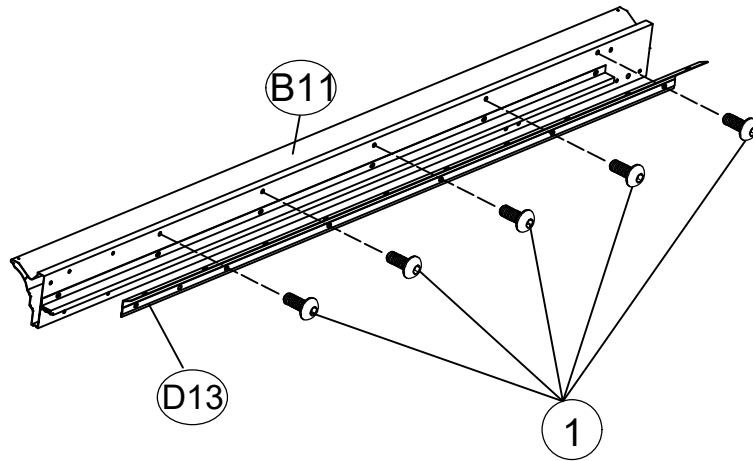
6



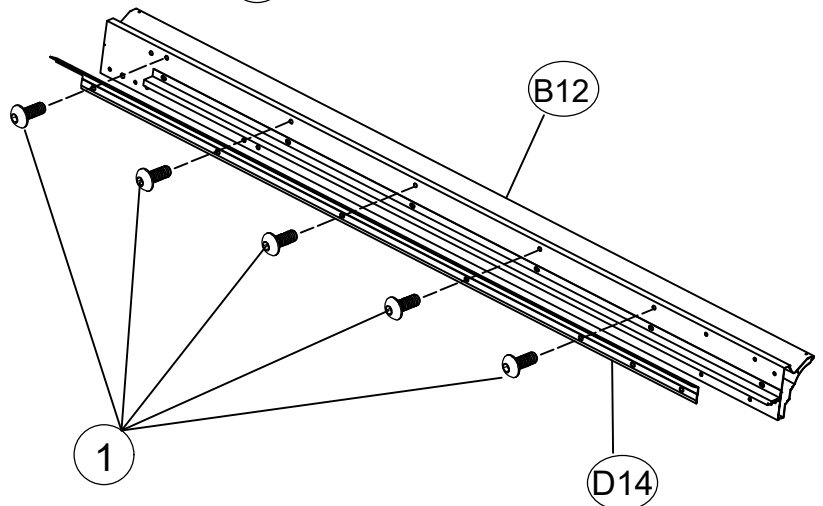
1



2



3



4

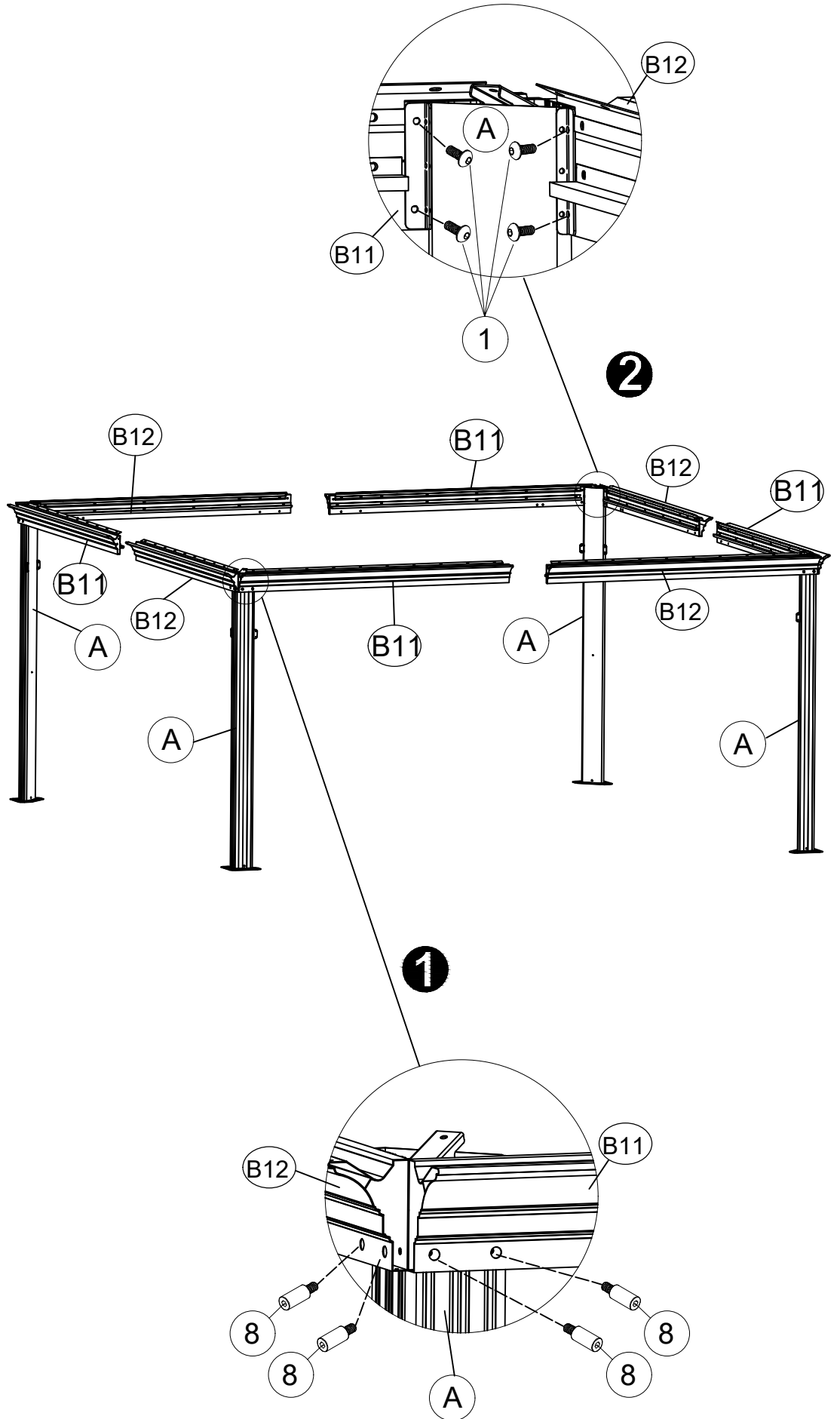


<3>

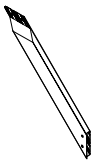
1 16x M6x15



8 16x

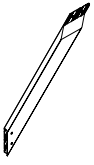


7



<4>

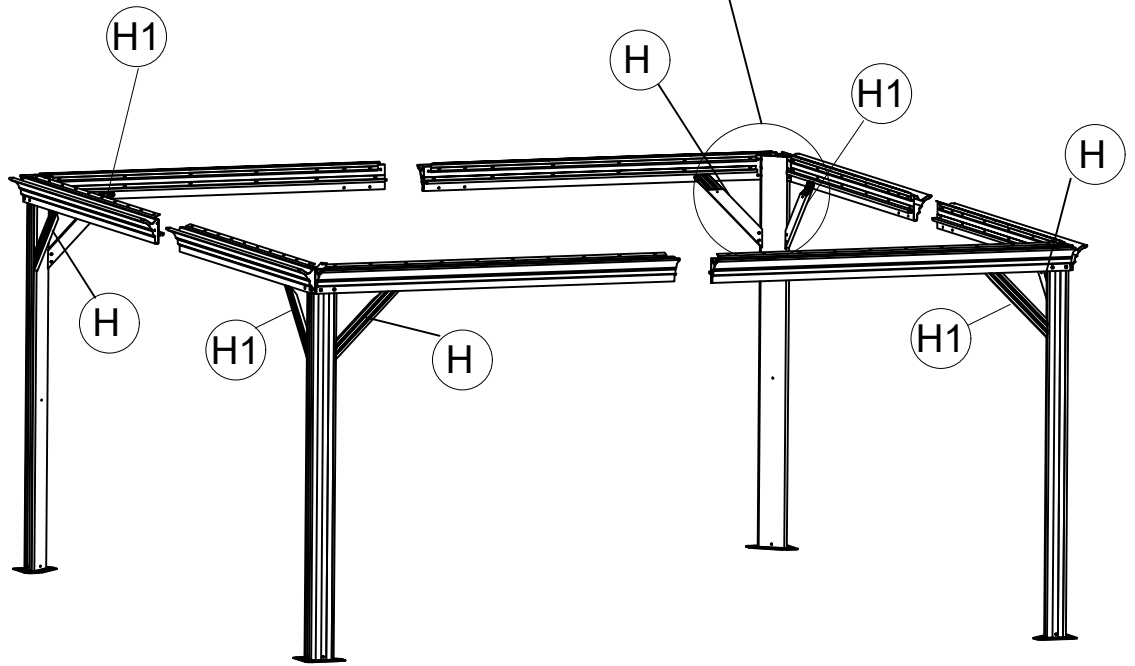
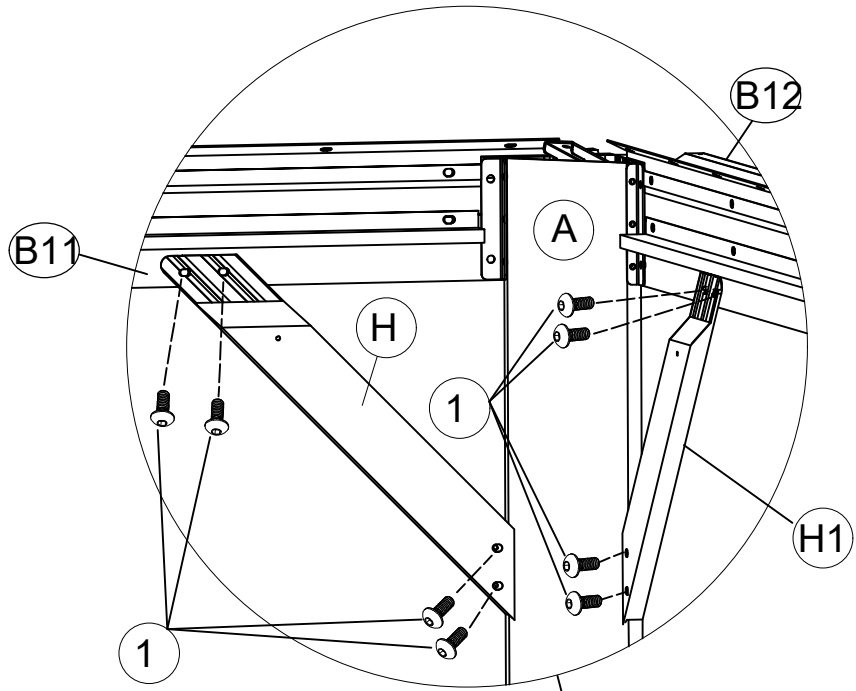
H 4x



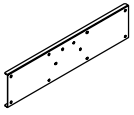
H1 4x



1 32x M6x15





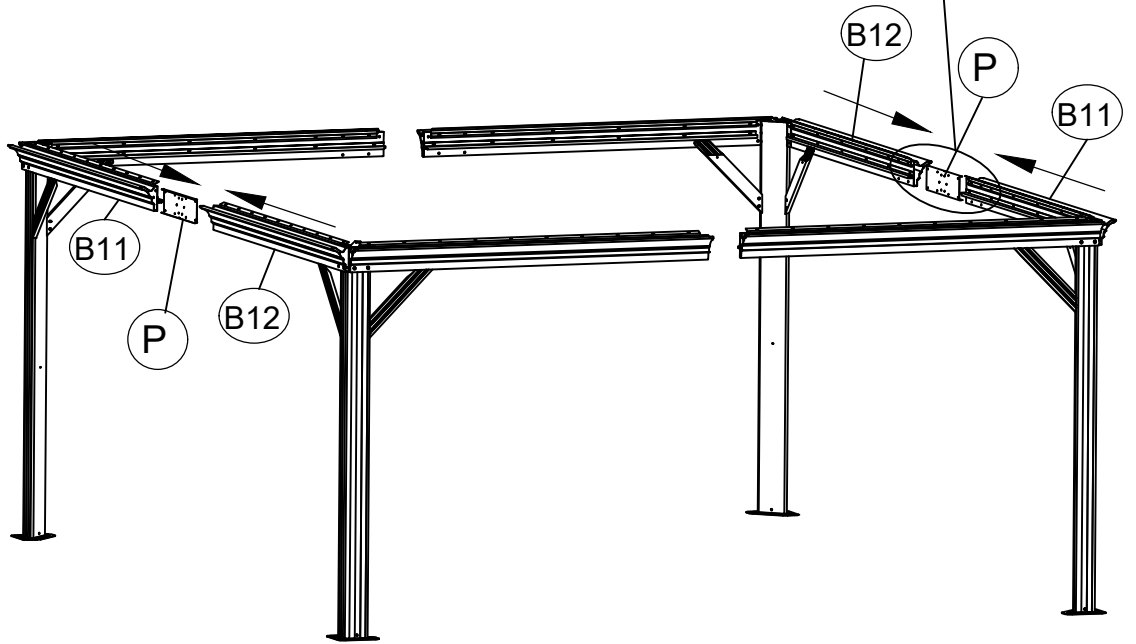
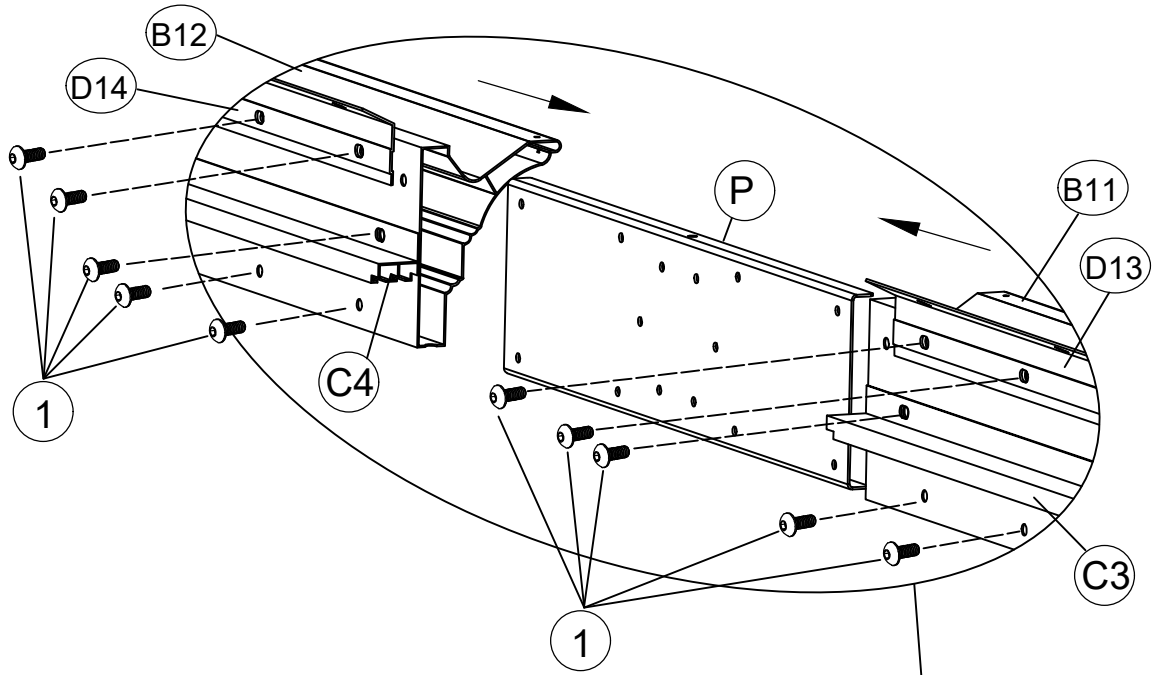


<5>

P 2x



1 20x M6x15



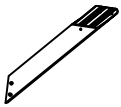
<6>



B21 2x



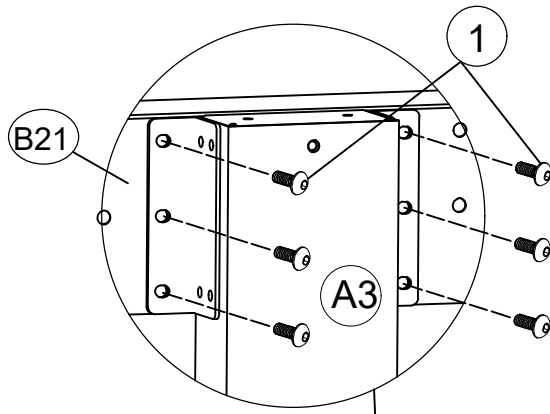
H3 2x



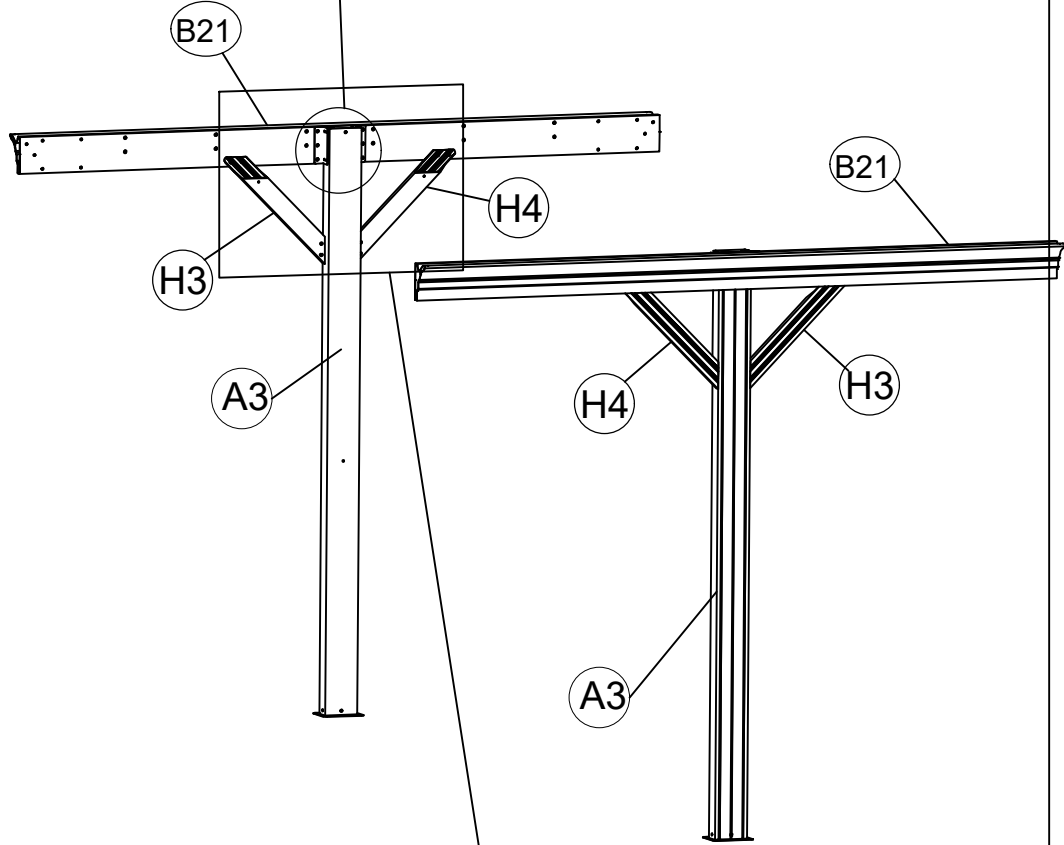
H4 2x



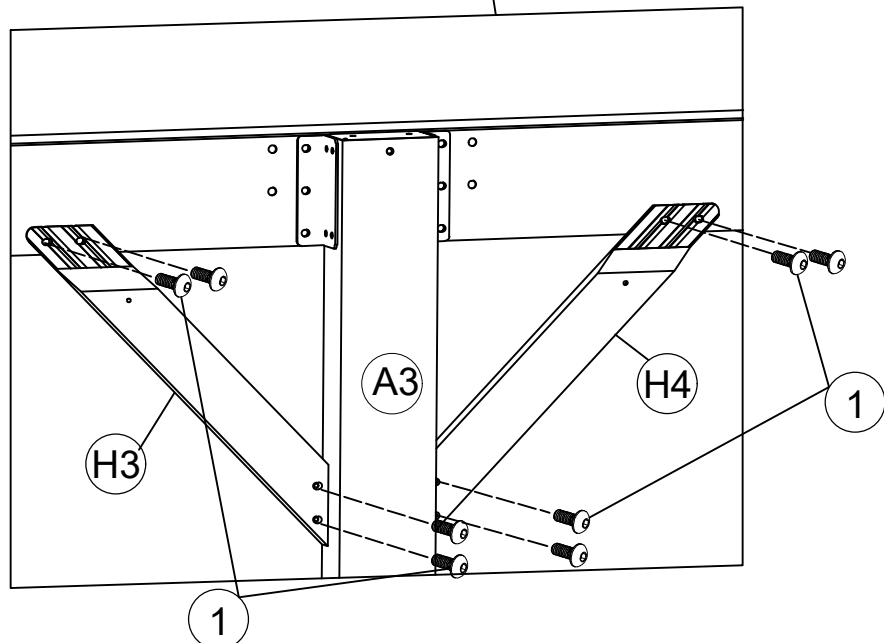
1 28x M6x15

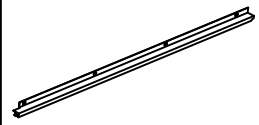


1

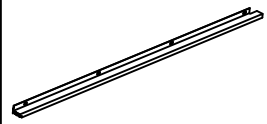


2

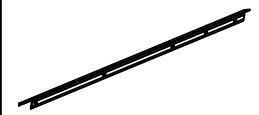




C7 2x



C8 2x



D21 2x



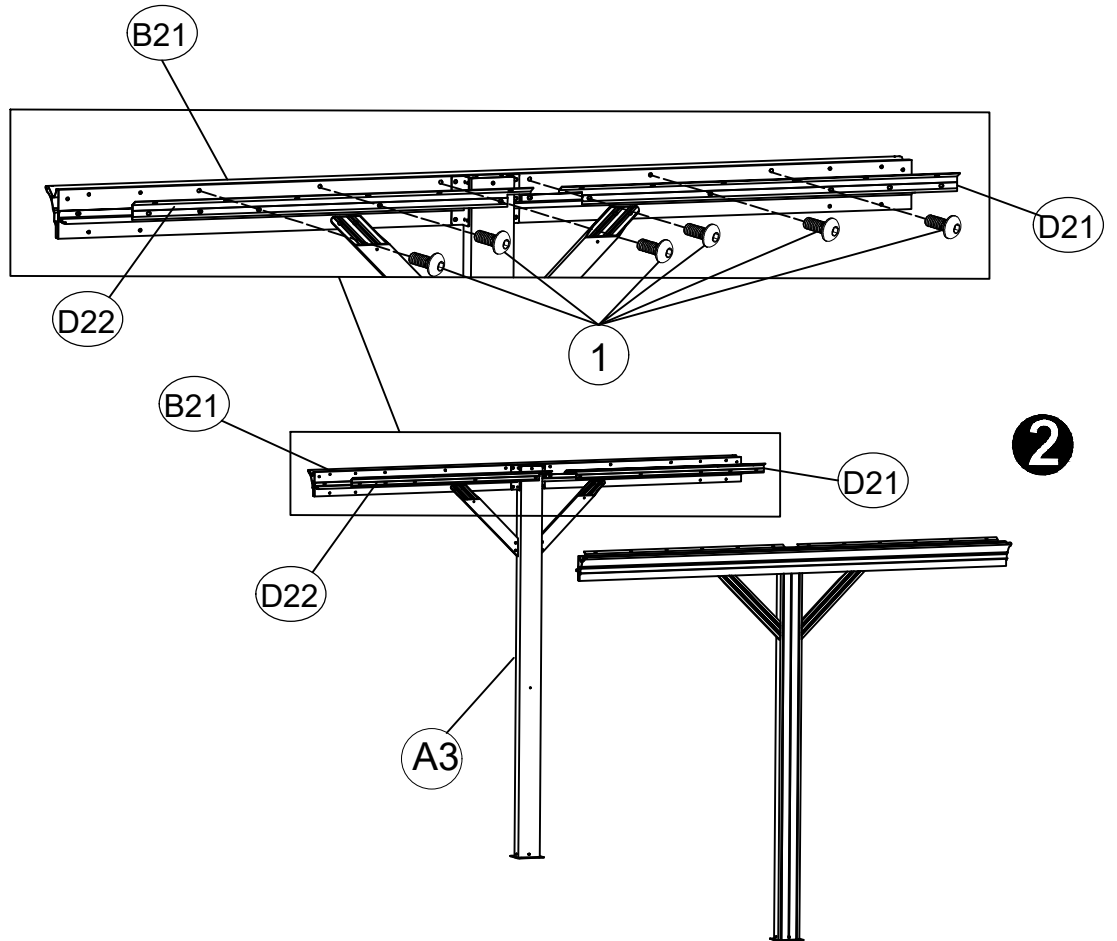
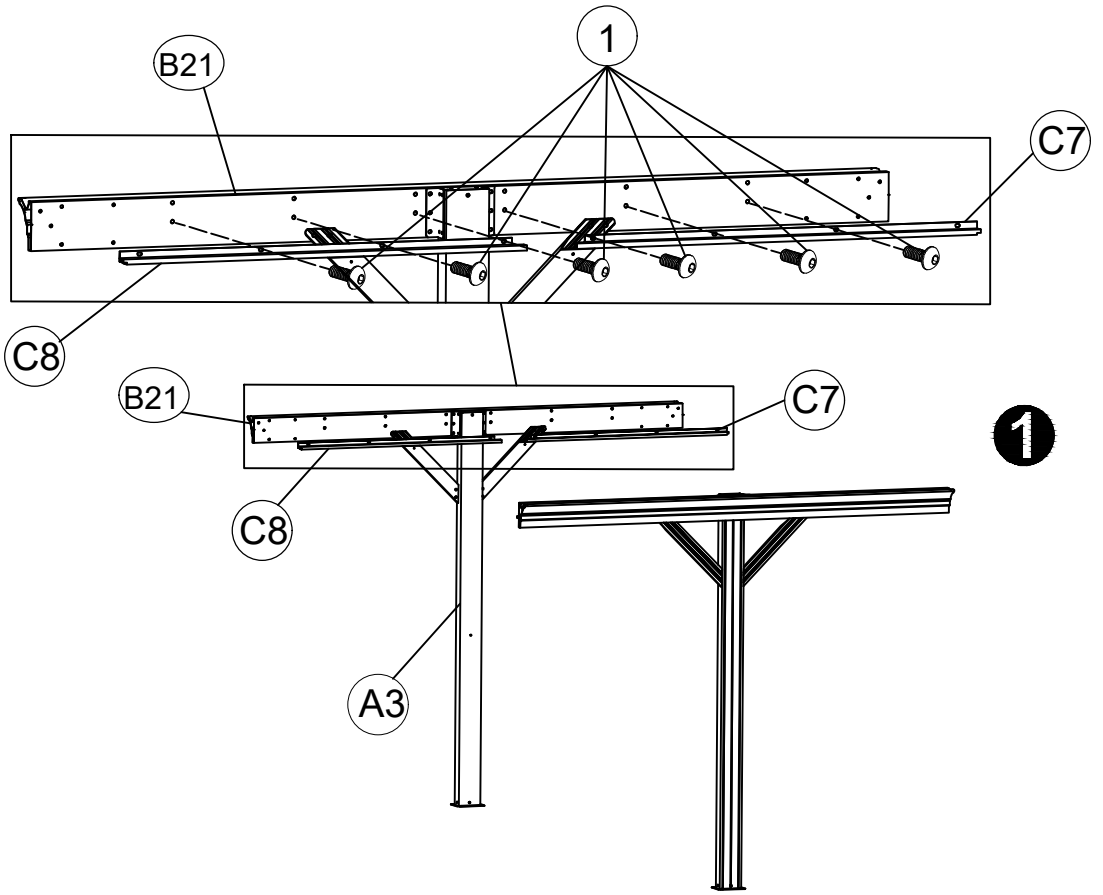
D22 2x



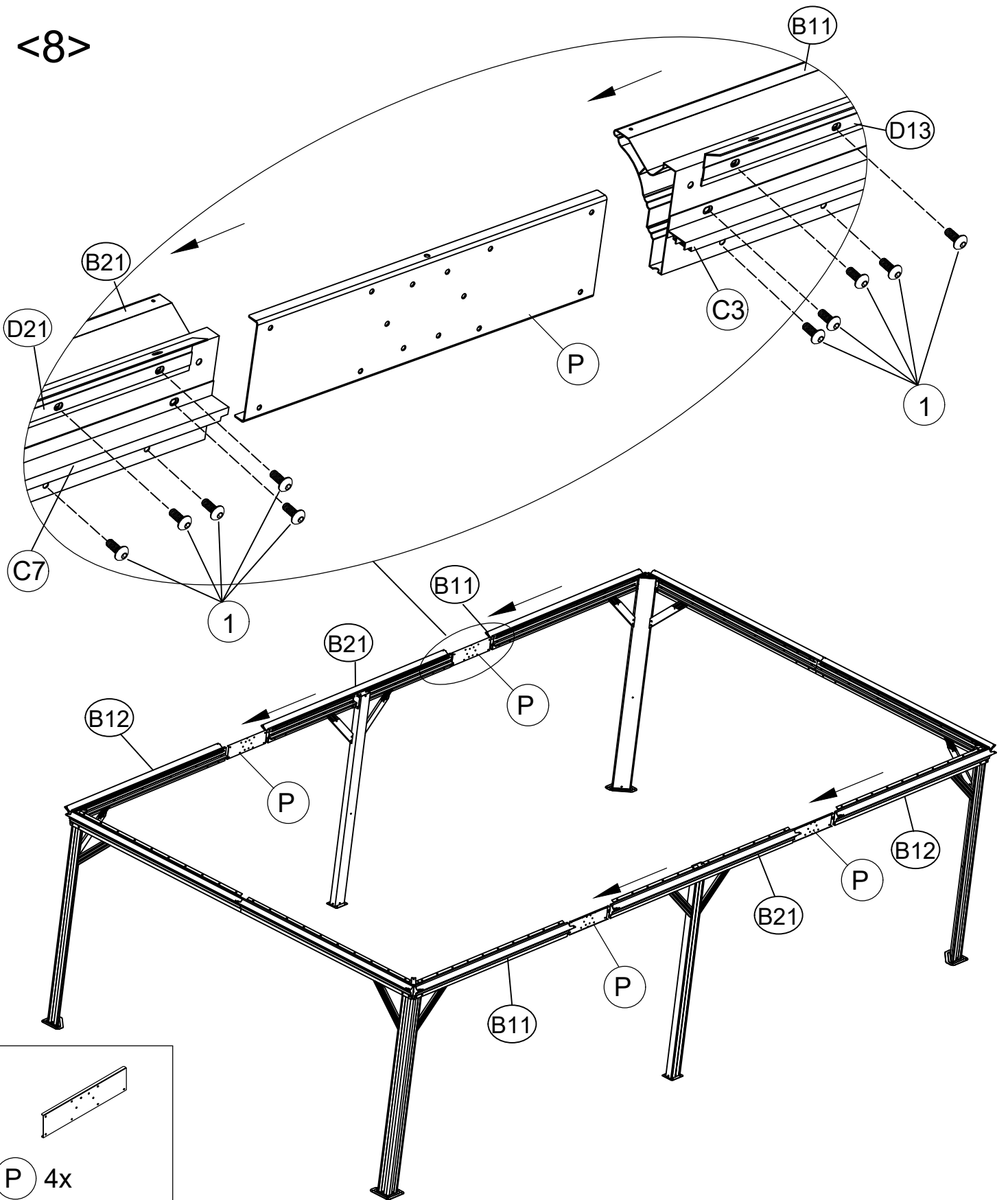
M6x15

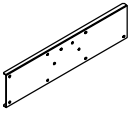

1 24x

<7>



<8>

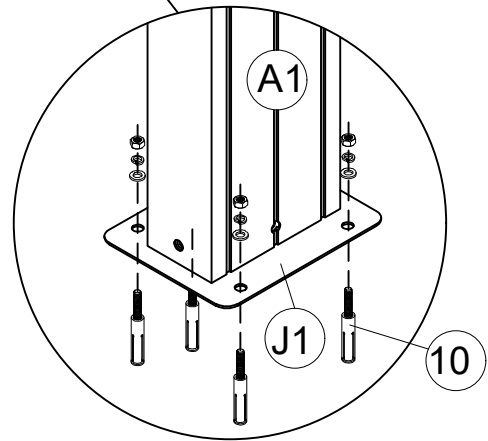
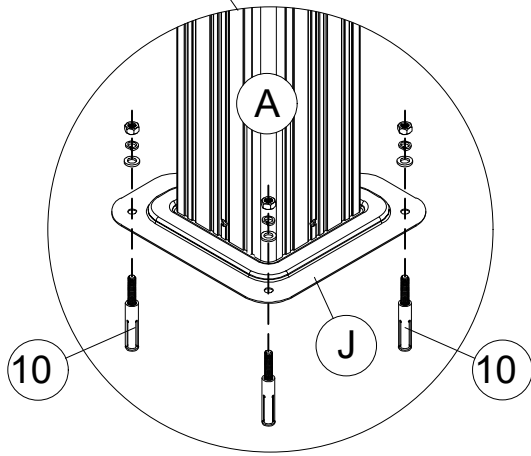
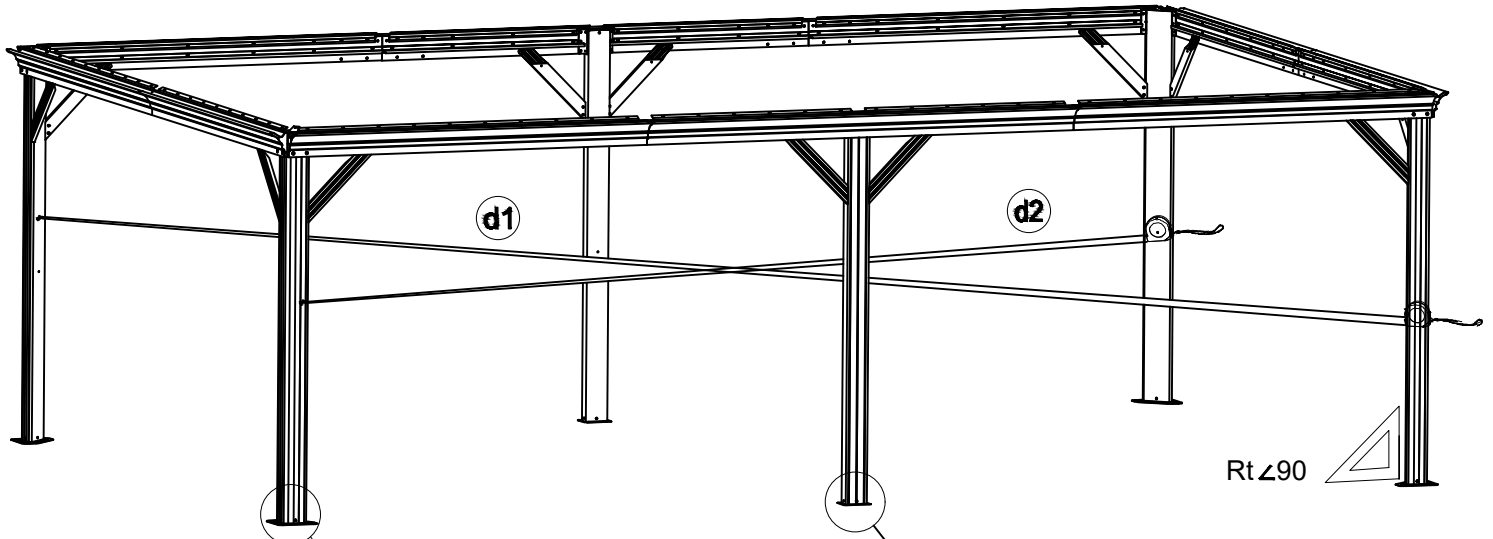


-   
P 4x
-   
1 40x M6x15

12

<9>

i d1=d2

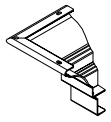


Tips: Please measure to make sure the length of d1 is equal to d2 before moving to next step to ensure a square frame and best results. Keep the beam at right angles to the post, the post at right angles to the ground, and keep the beam horizontal.



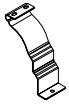
10 20x

13



<10>

(K) 4x



(K1) 6x



(U) 168x



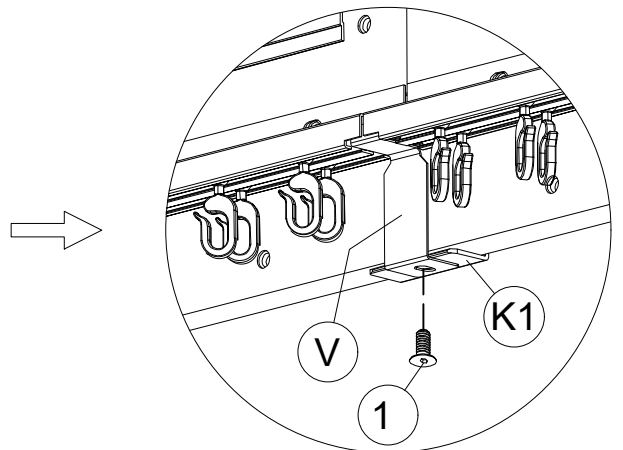
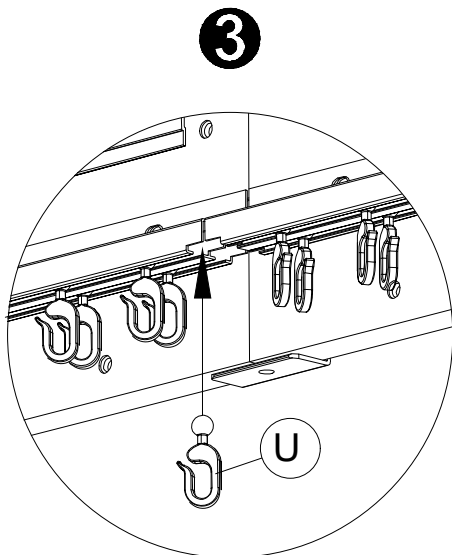
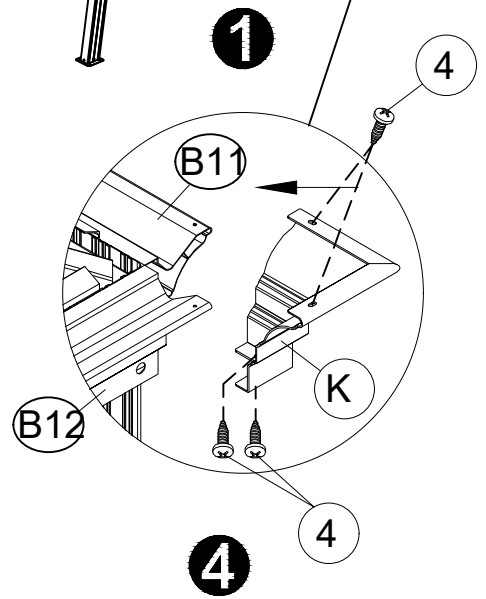
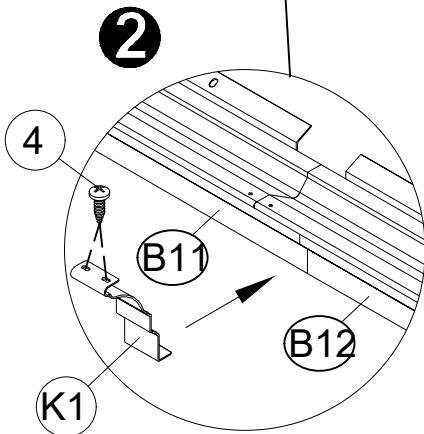
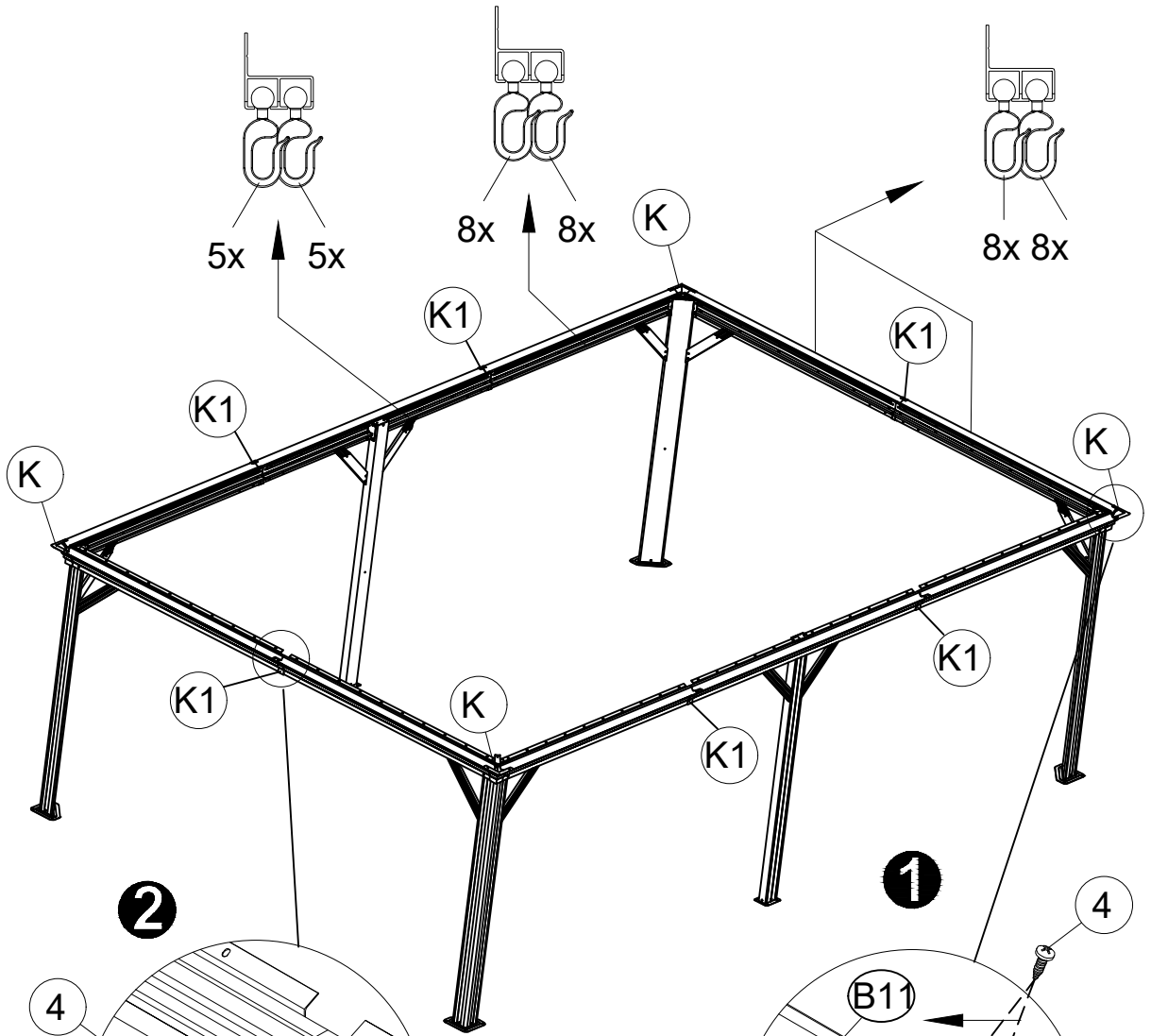
(V) 6x



(1) 6x M6x15



(4) 28x ST4.8x12

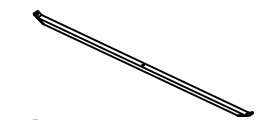




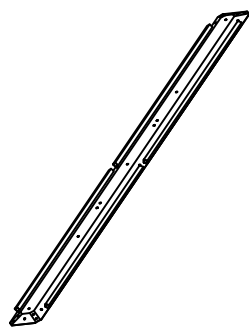
E6 2x



E7 4x



F8 3x

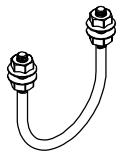


L4c 1x



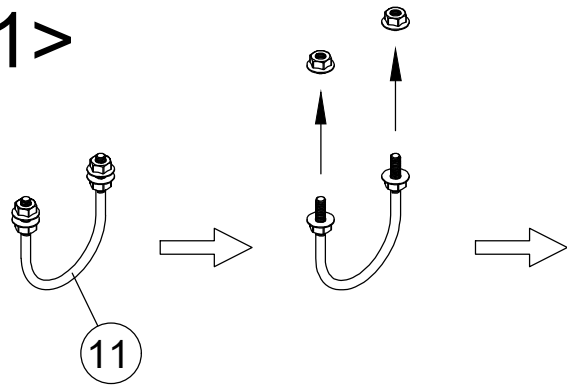
M6x15

1 12x

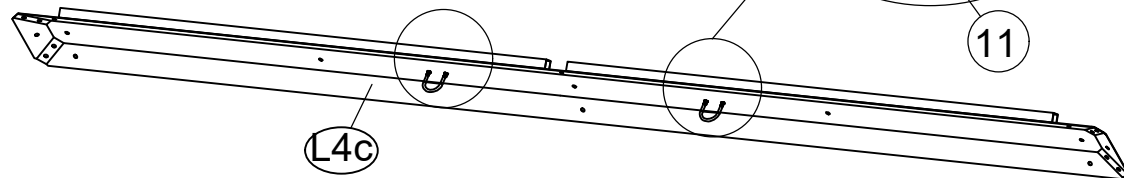
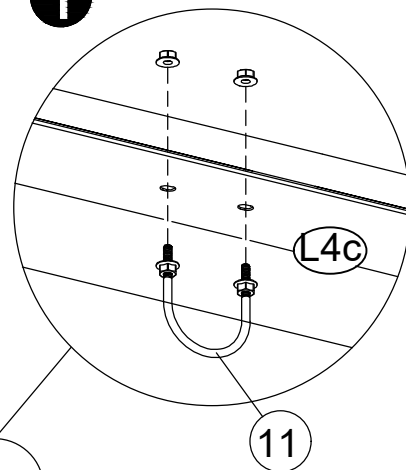


11 2x

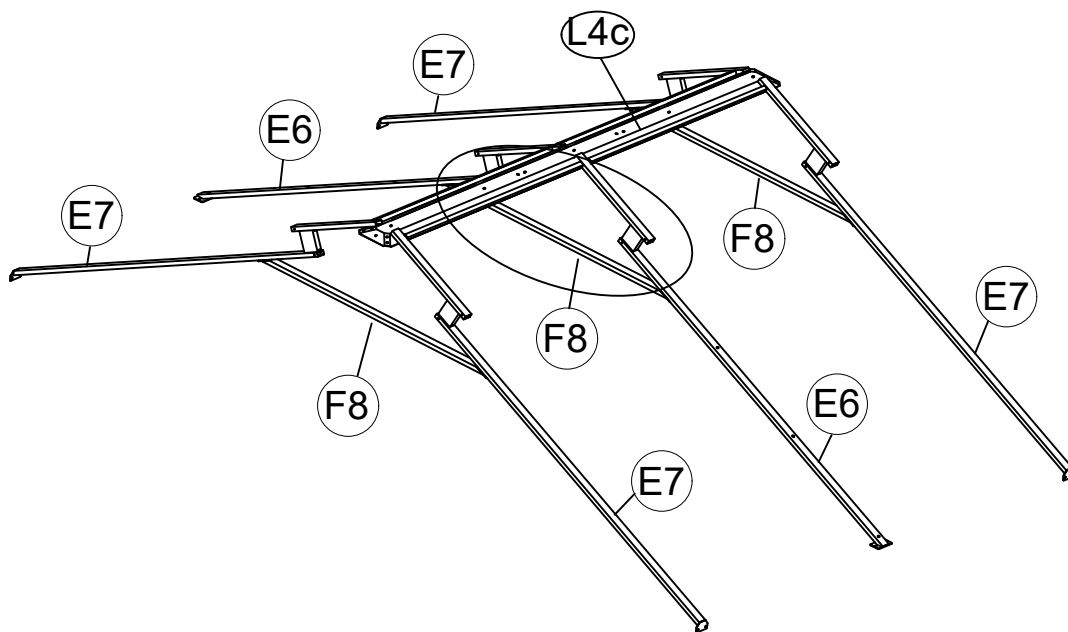
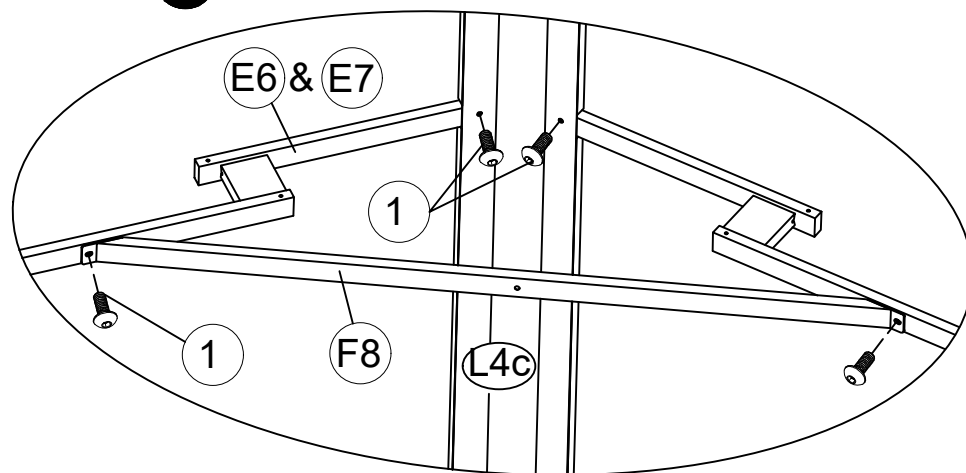
<11>



1



2

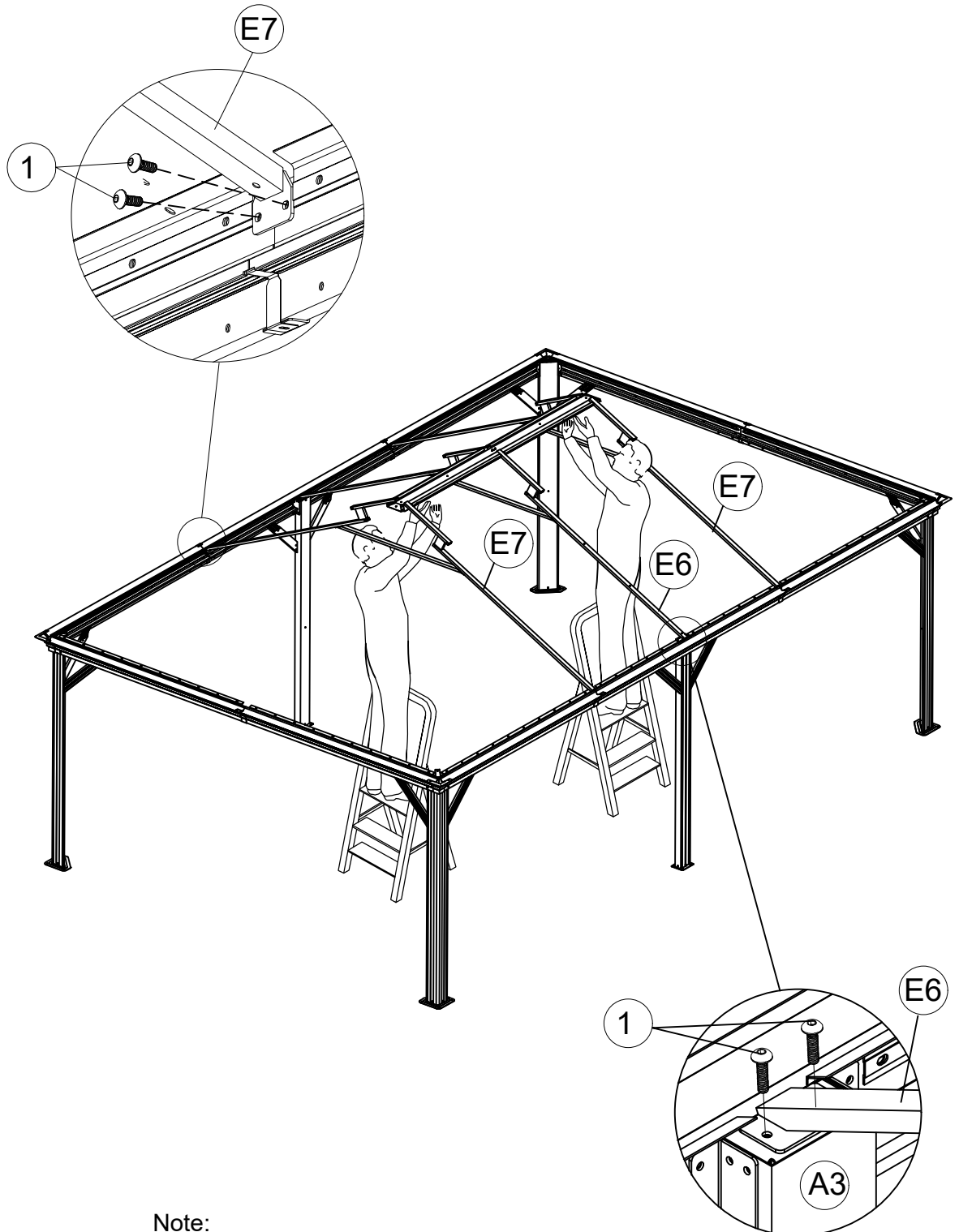




<12>

M6x15

1 12x



Note:

1. Let two peoples stand on the ladder to lift "L4c" and hold and let others fasten the screws connecting both ends of "E6" and "E7" .
2. Please do not let go of holding "L4c" until all the "E6" and "E7" screws are installed.



<13>

E4 4x

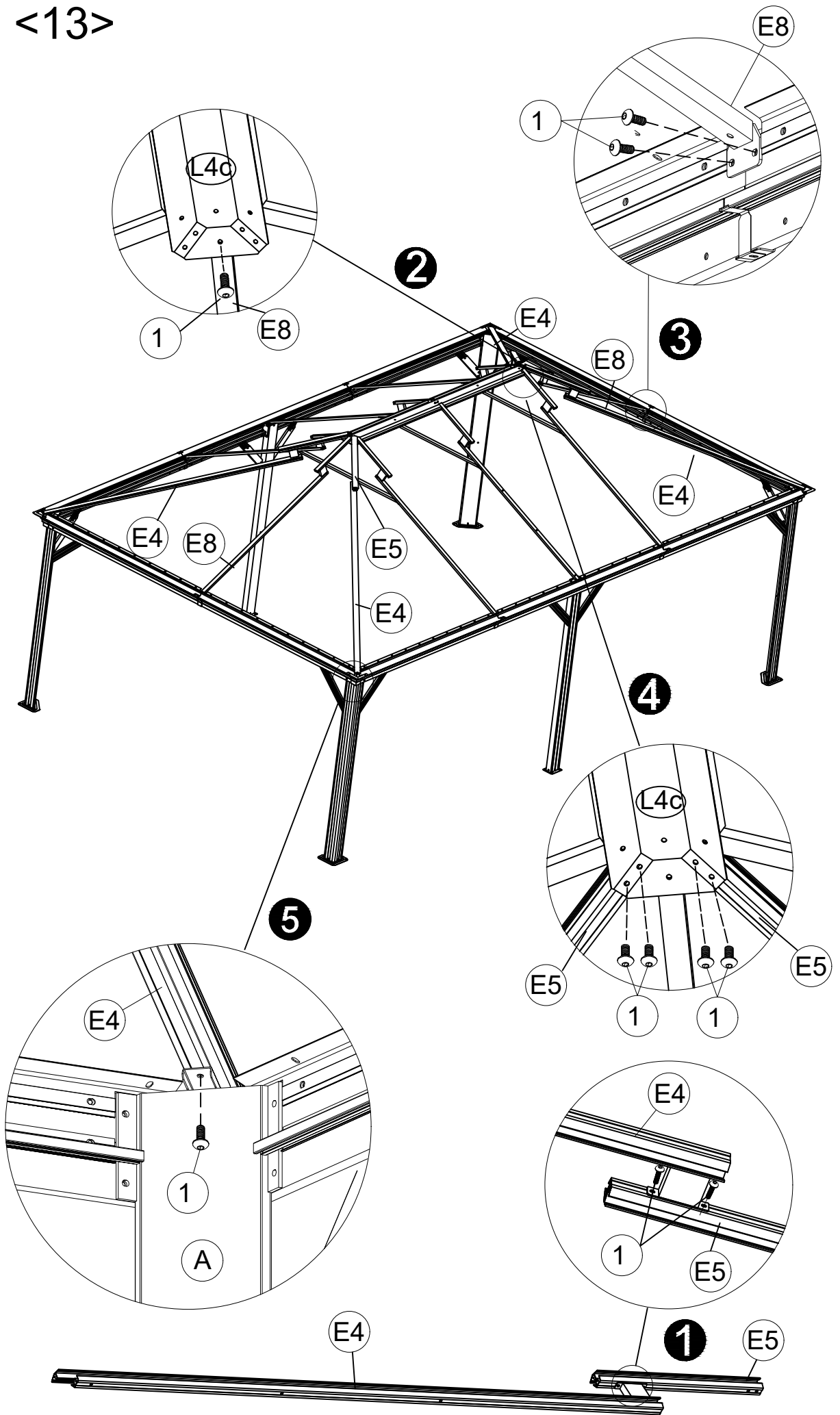
E5 4x

E8 2x

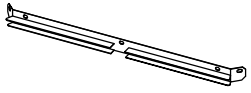
1 26x

M6x15

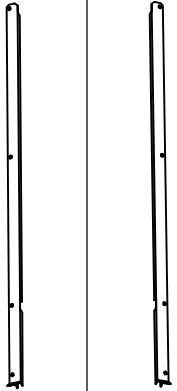
17



<14>



I1 2x



I5 2x I6 2x



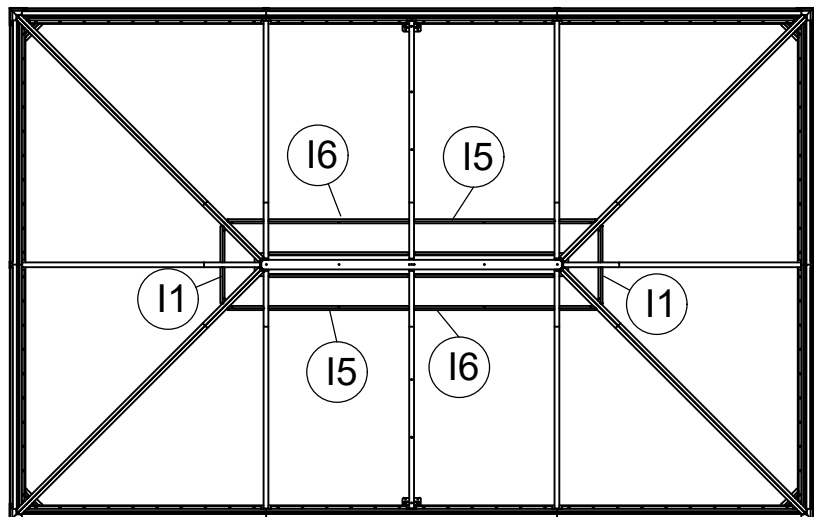
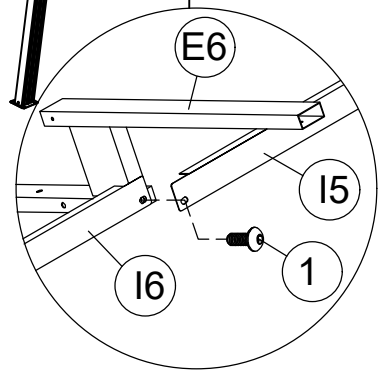
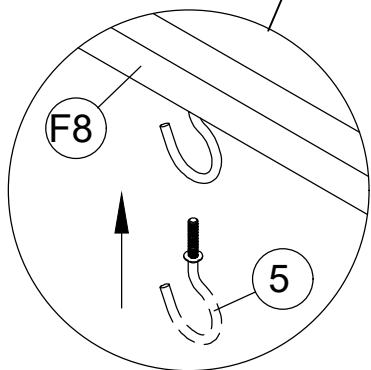
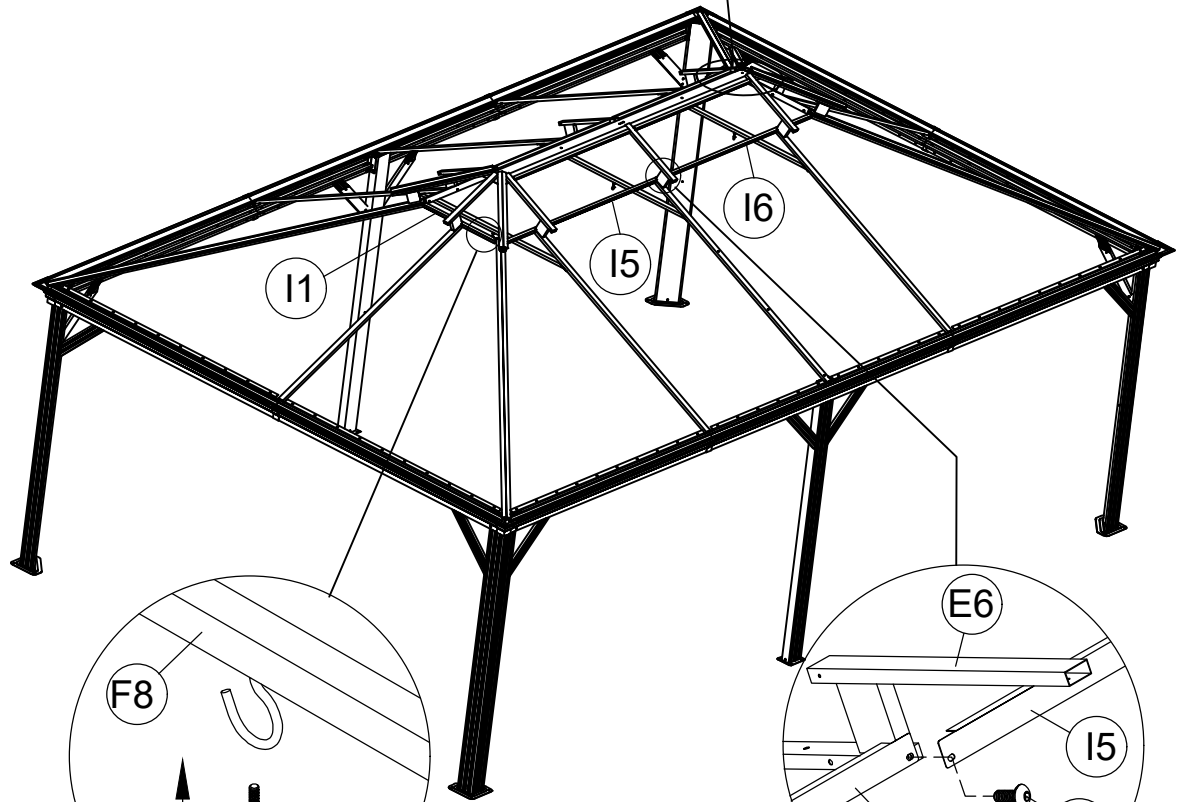
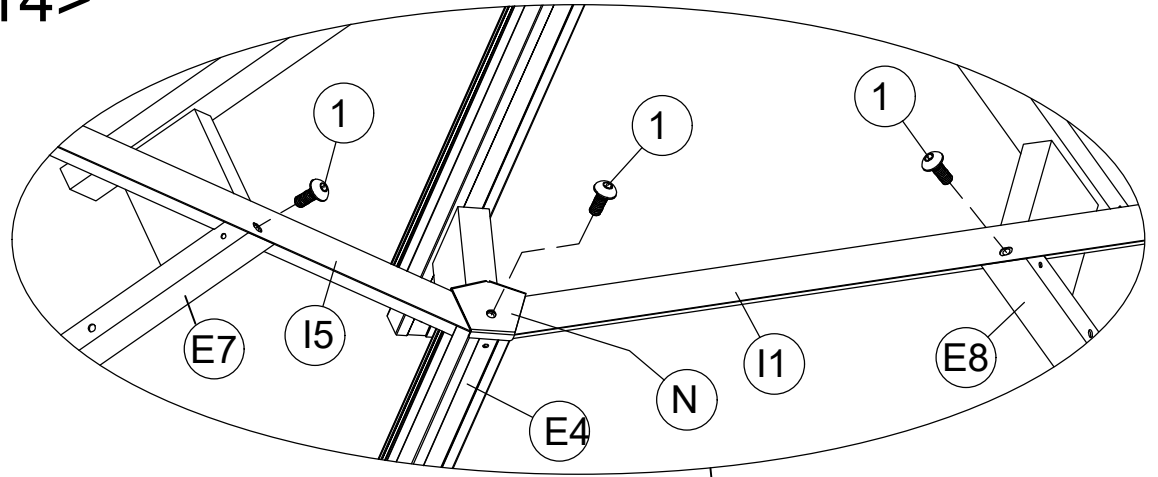
N 4x



1 12x M6x15



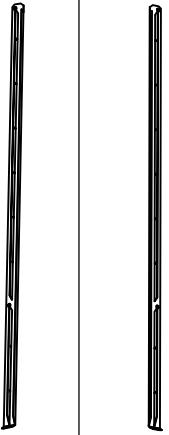
5 3x



18

<15>

G1 2x



G5 2x G6 2x



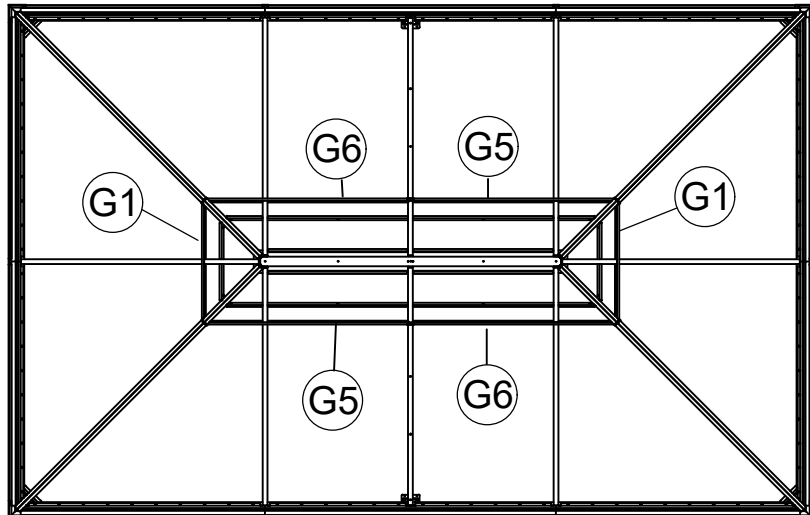
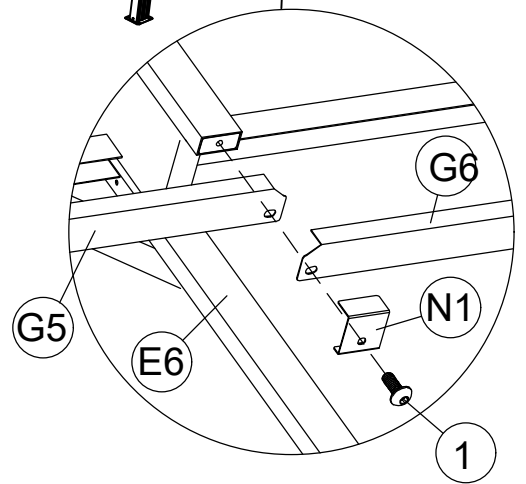
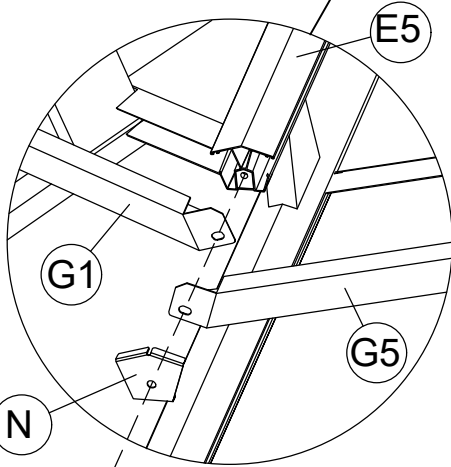
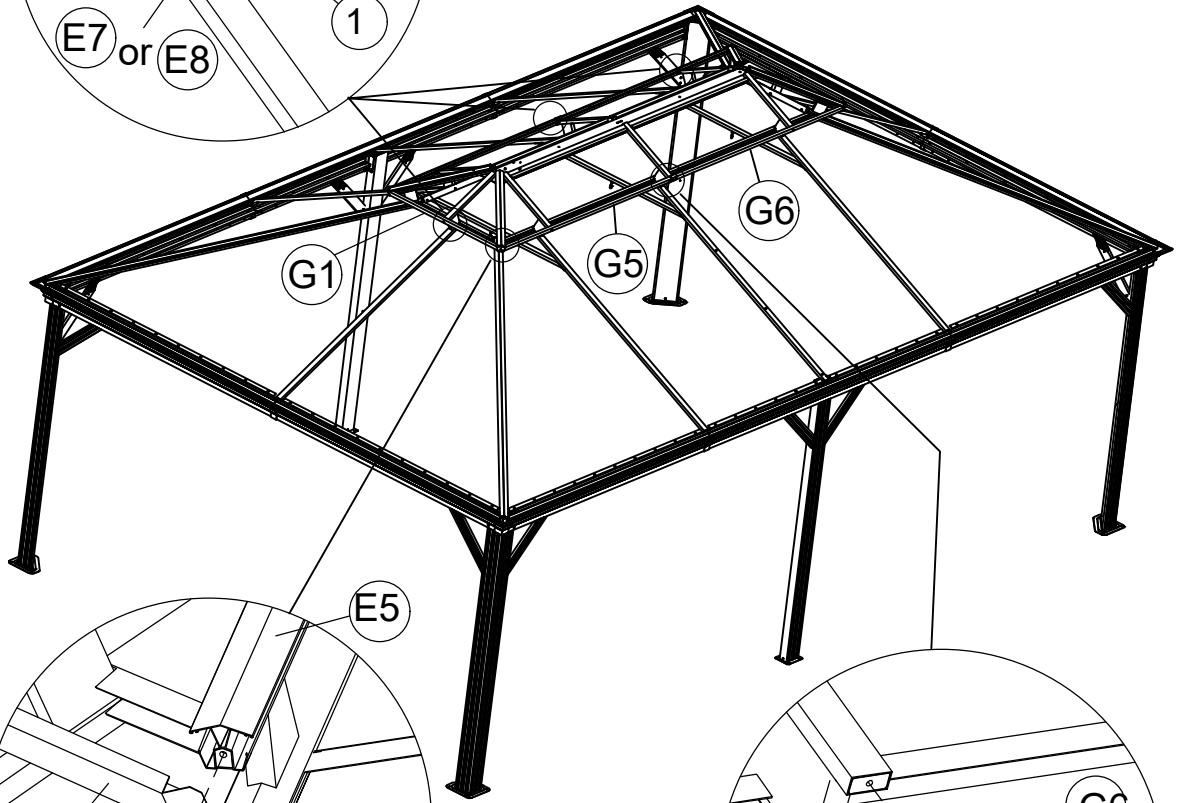
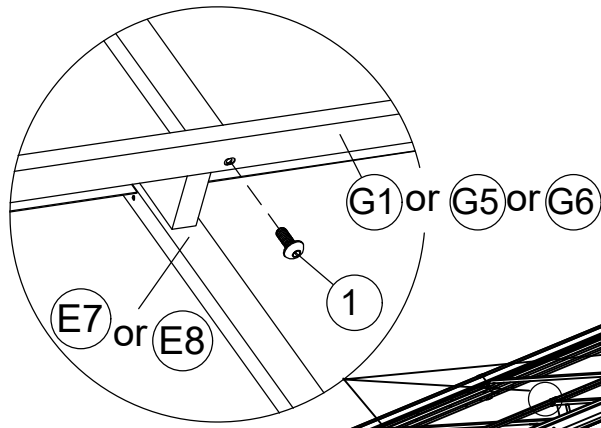
N 4x



N1 2x

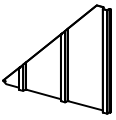


1 12x M6x15

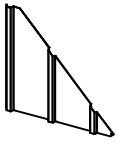


<16>

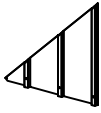
S1 2x



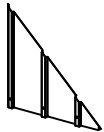
S2 2x



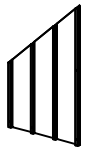
R1 2x



R2 2x



R3 2x



R4 2x



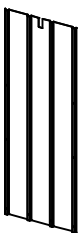
P5 2x



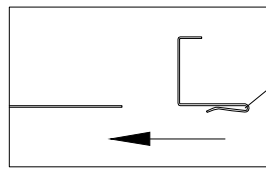
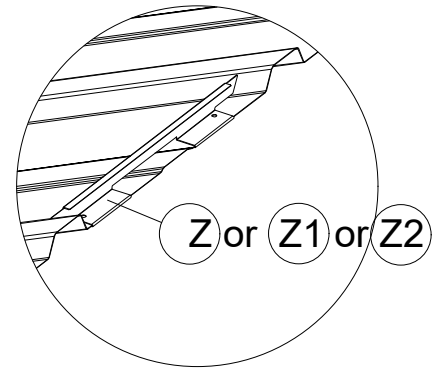
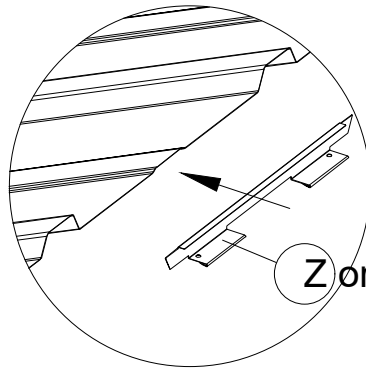
P6 2x



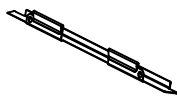
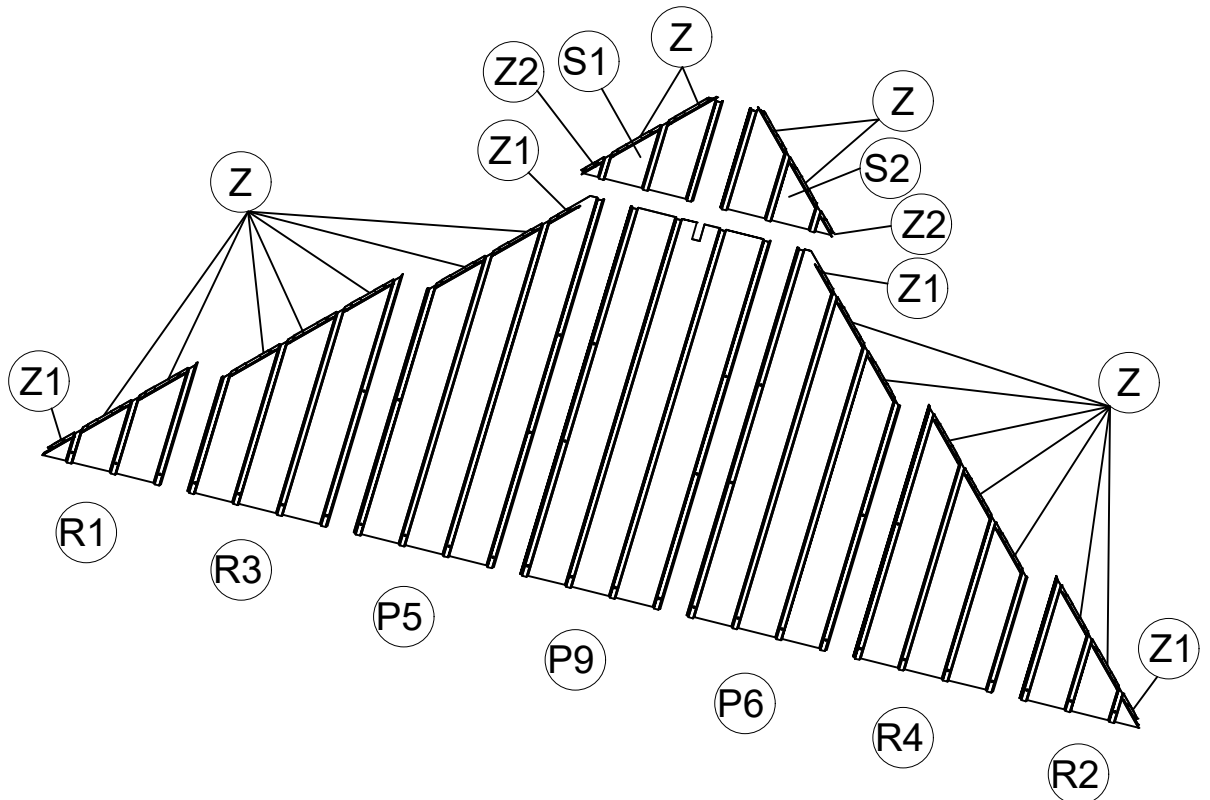
P9 2x



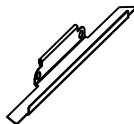
20



Z or Z1 or Z2



Z 36x



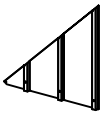
Z1 8x



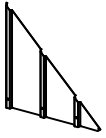
Z2 4x

<17>

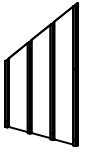
(R1) 2x



(R2) 2x



(R3) 2x



(R4) 2x



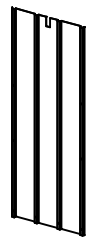
(P5) 2x



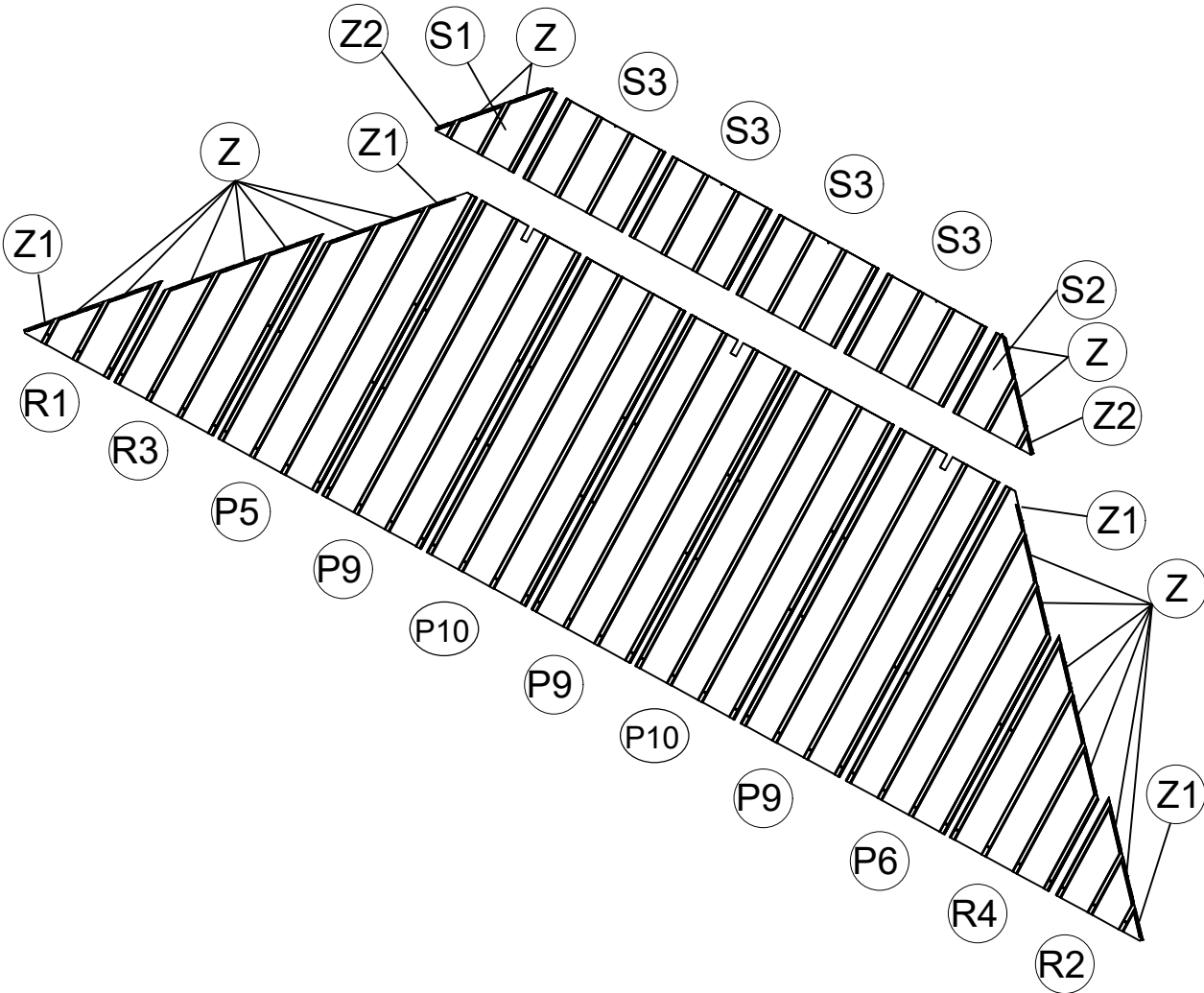
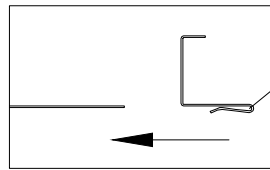
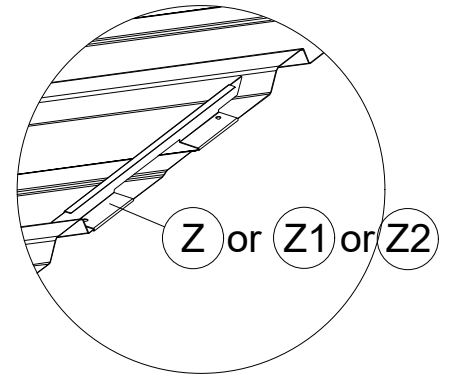
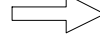
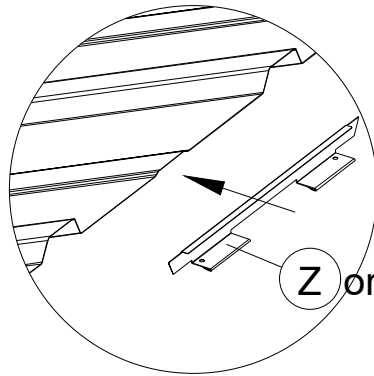
(P6) 2x



(P9) 6x

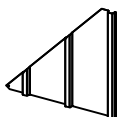


(P10) 4x

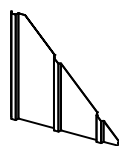


21

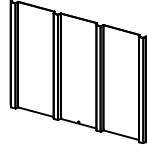
(S1) 2x



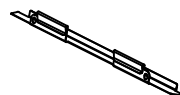
(S2) 2x



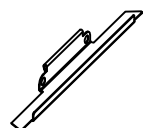
(S3) 8x



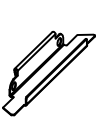
(Z) 36x



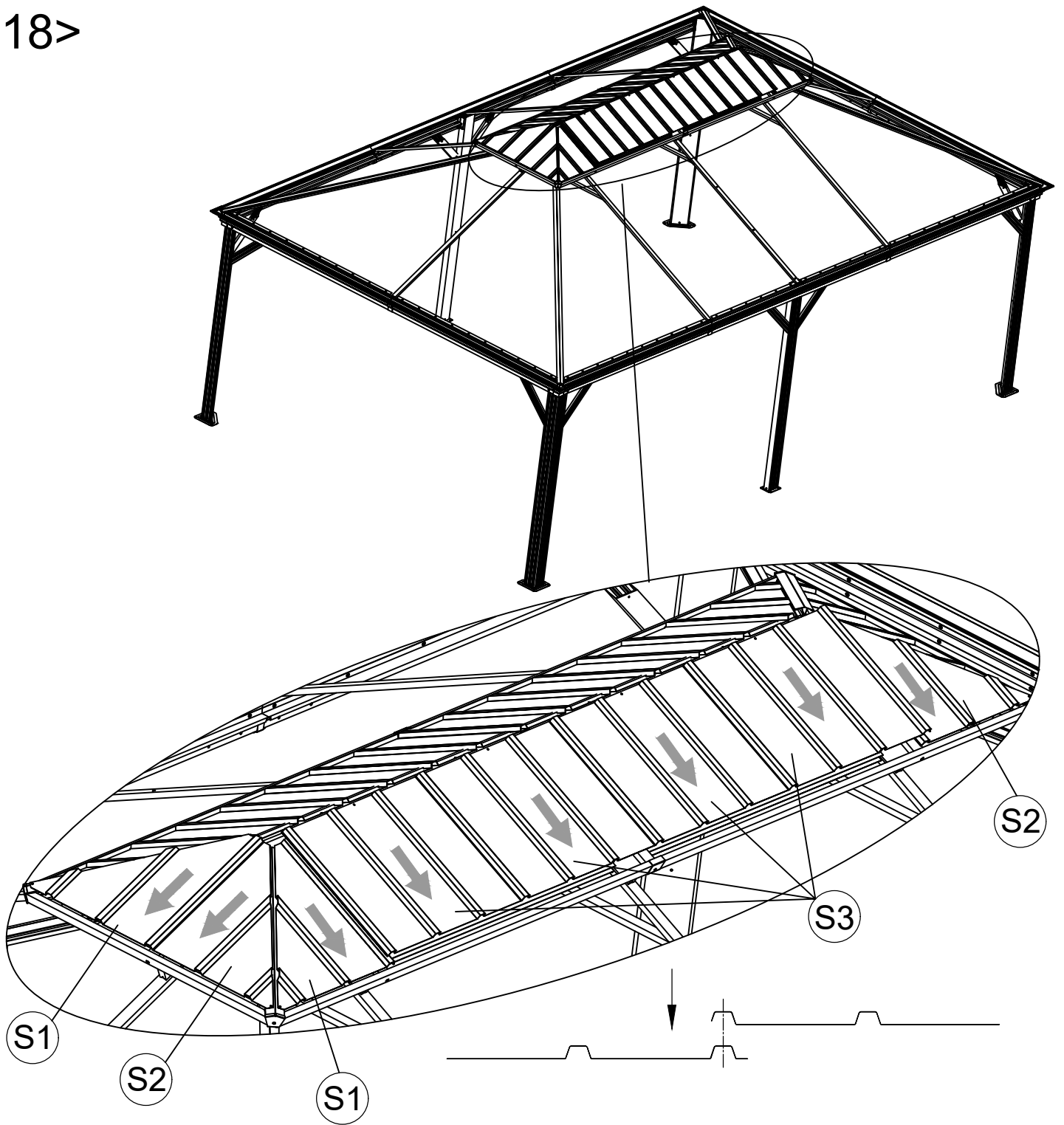
(Z1) 8x



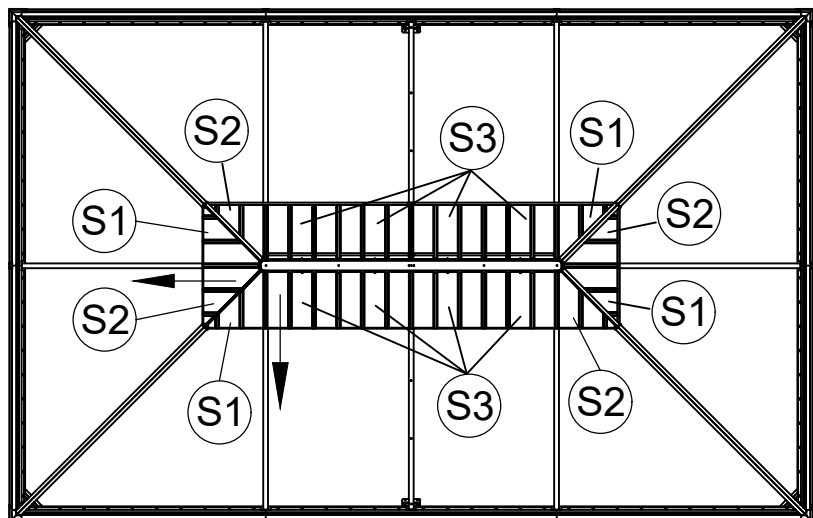
(Z2) 4x



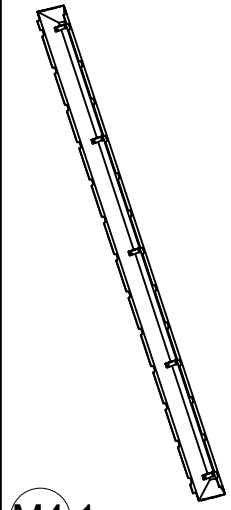
<18>



When installing the Roof plates (S2) onto short side, pls detach the right end of Roof Rib(G1) first. And then install the right end of Roof Rib (G1) again after S2 is installed.



<19>

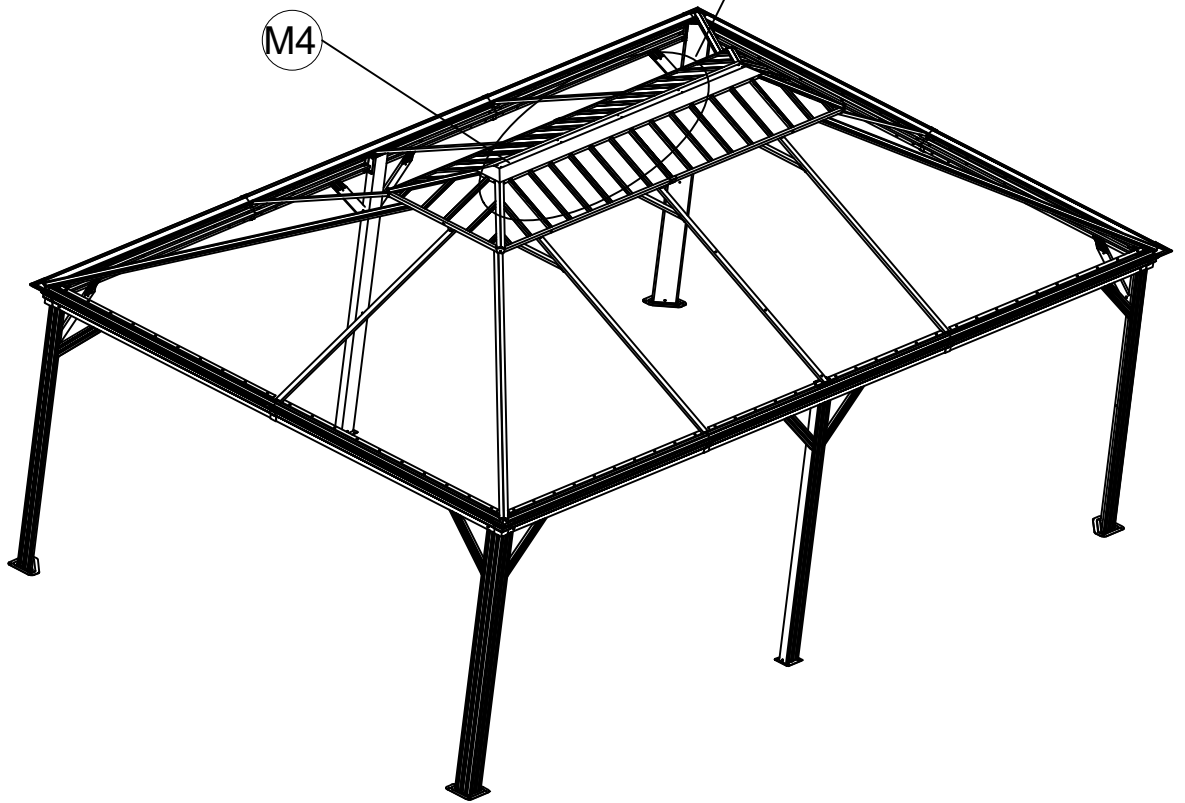
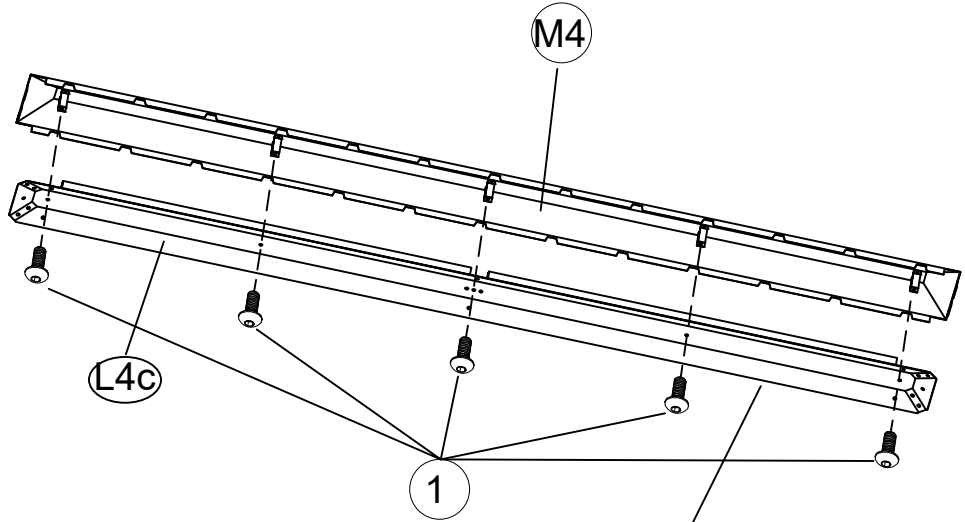


M4 1x

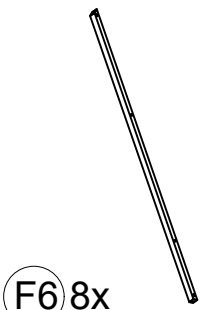


M6x15

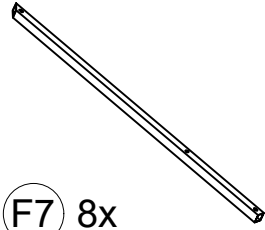
1 5x



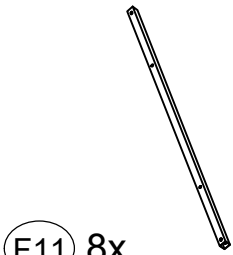
<20>



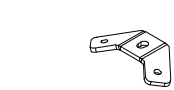
F6 8x



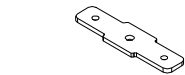
F7 8x



F11 8x



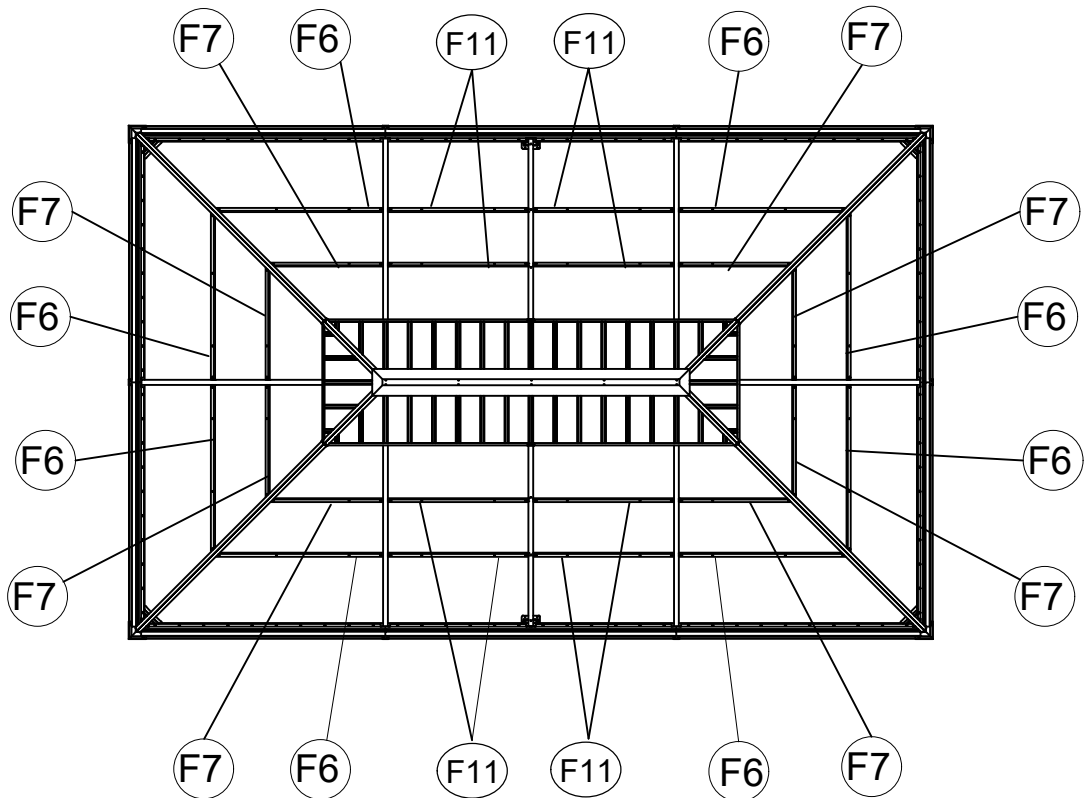
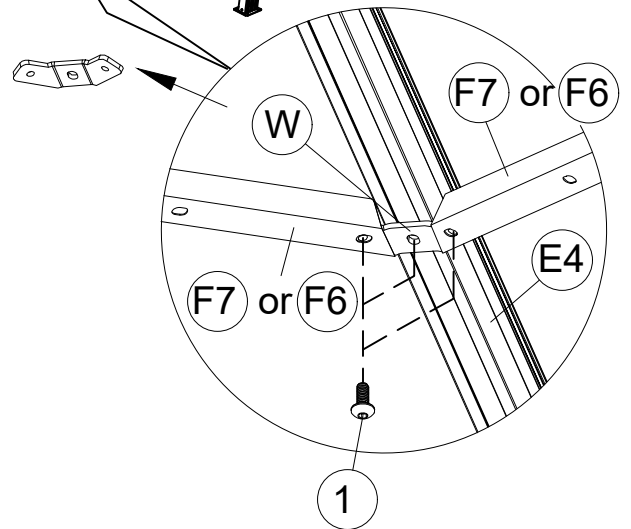
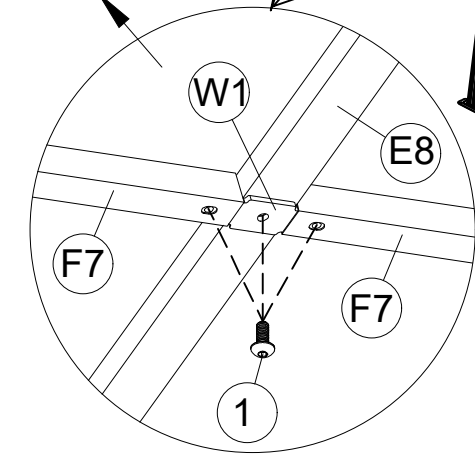
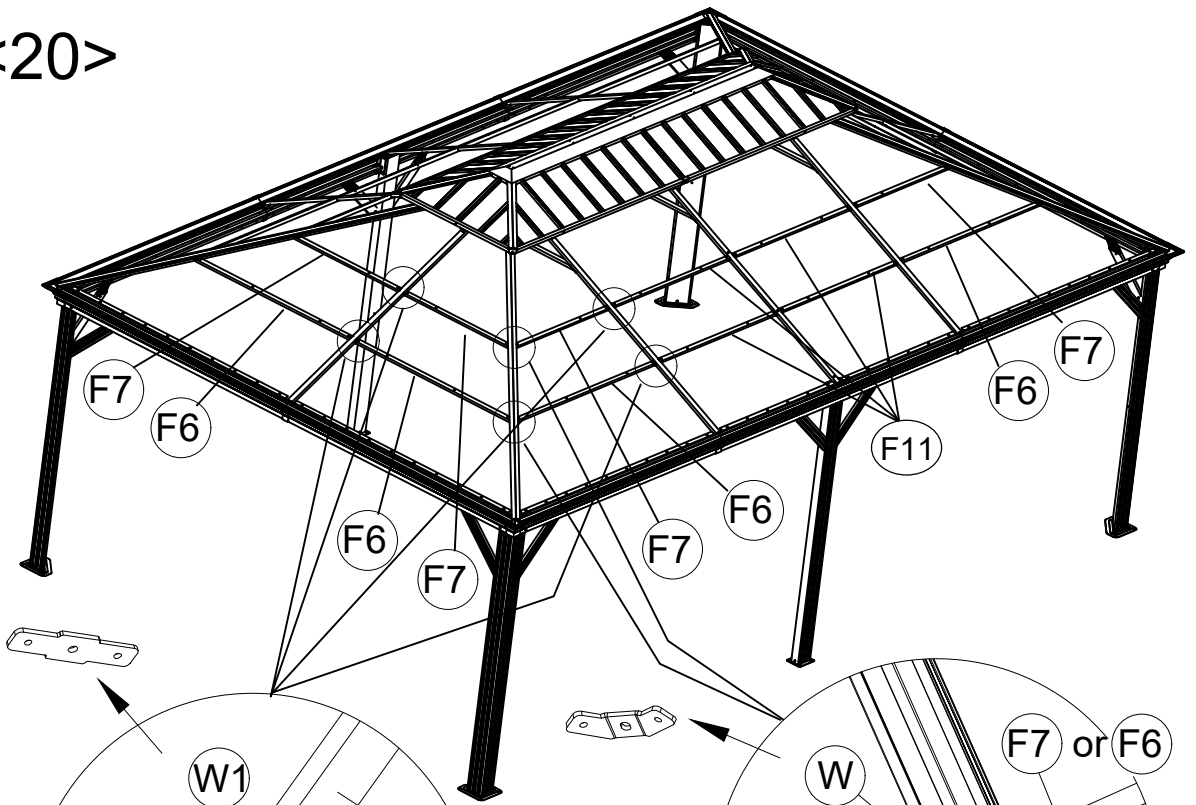
W 8x



W1 16x

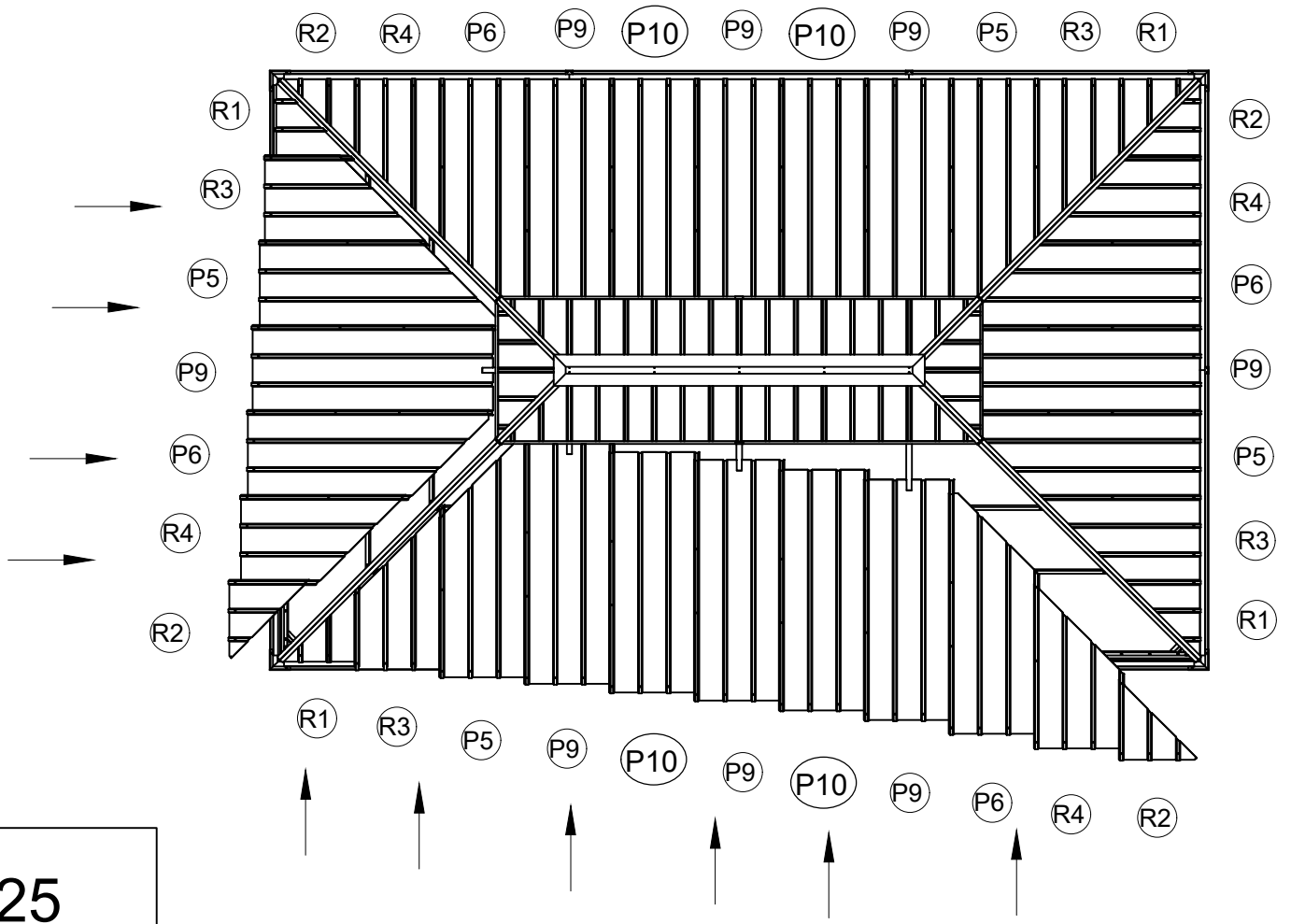
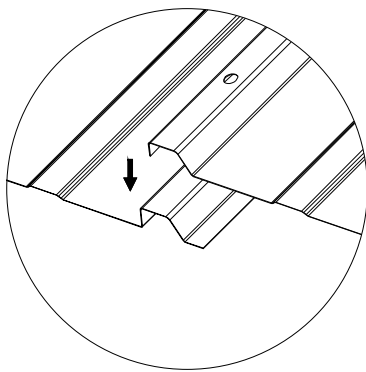
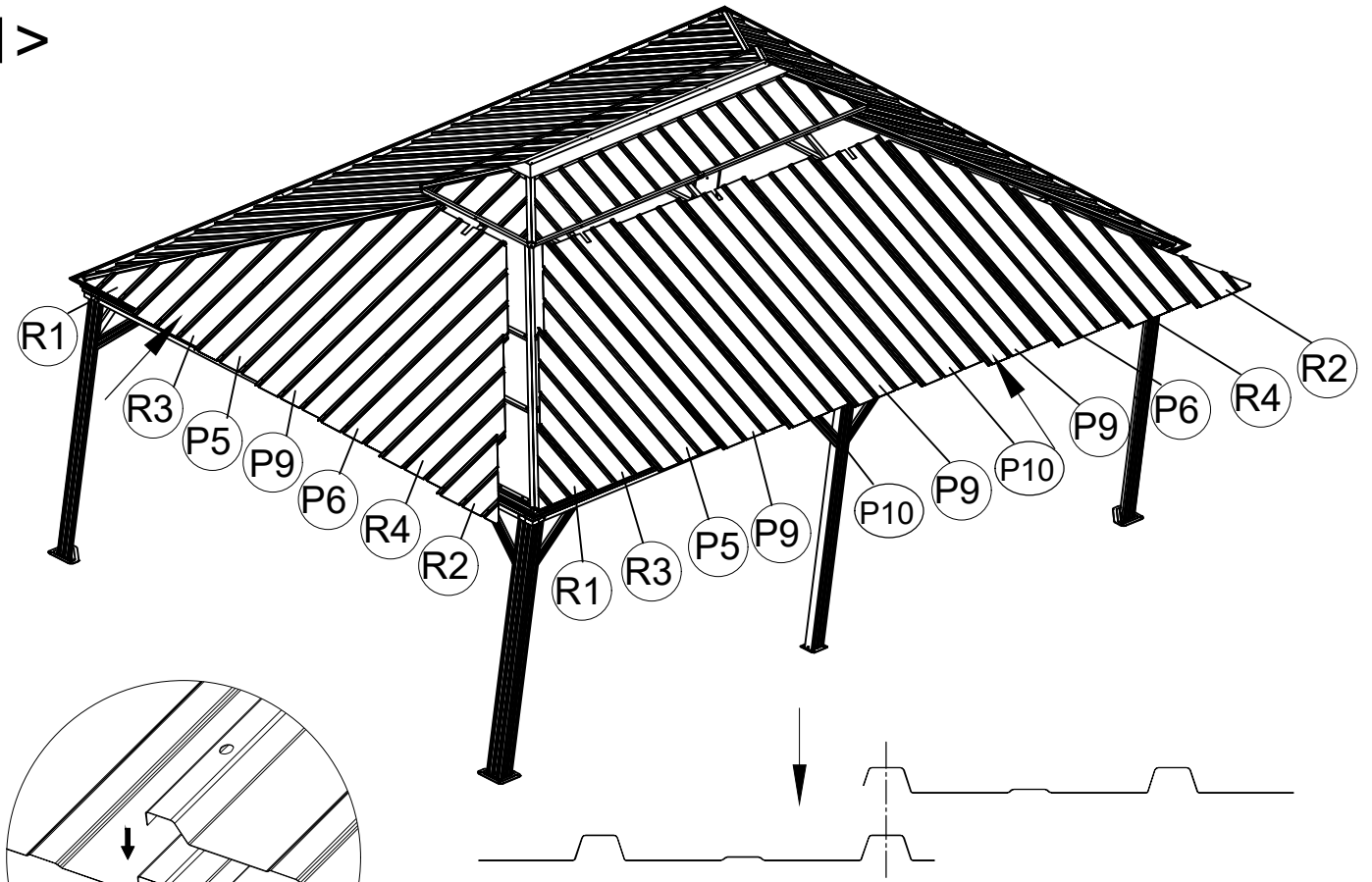


1 72x  
M6x15

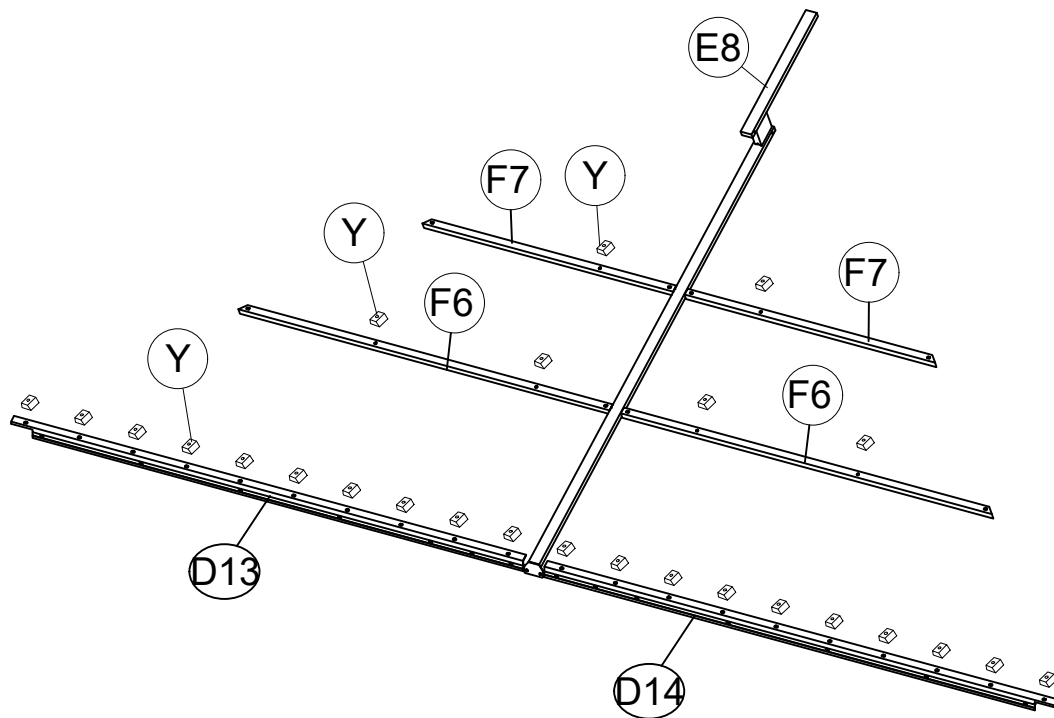
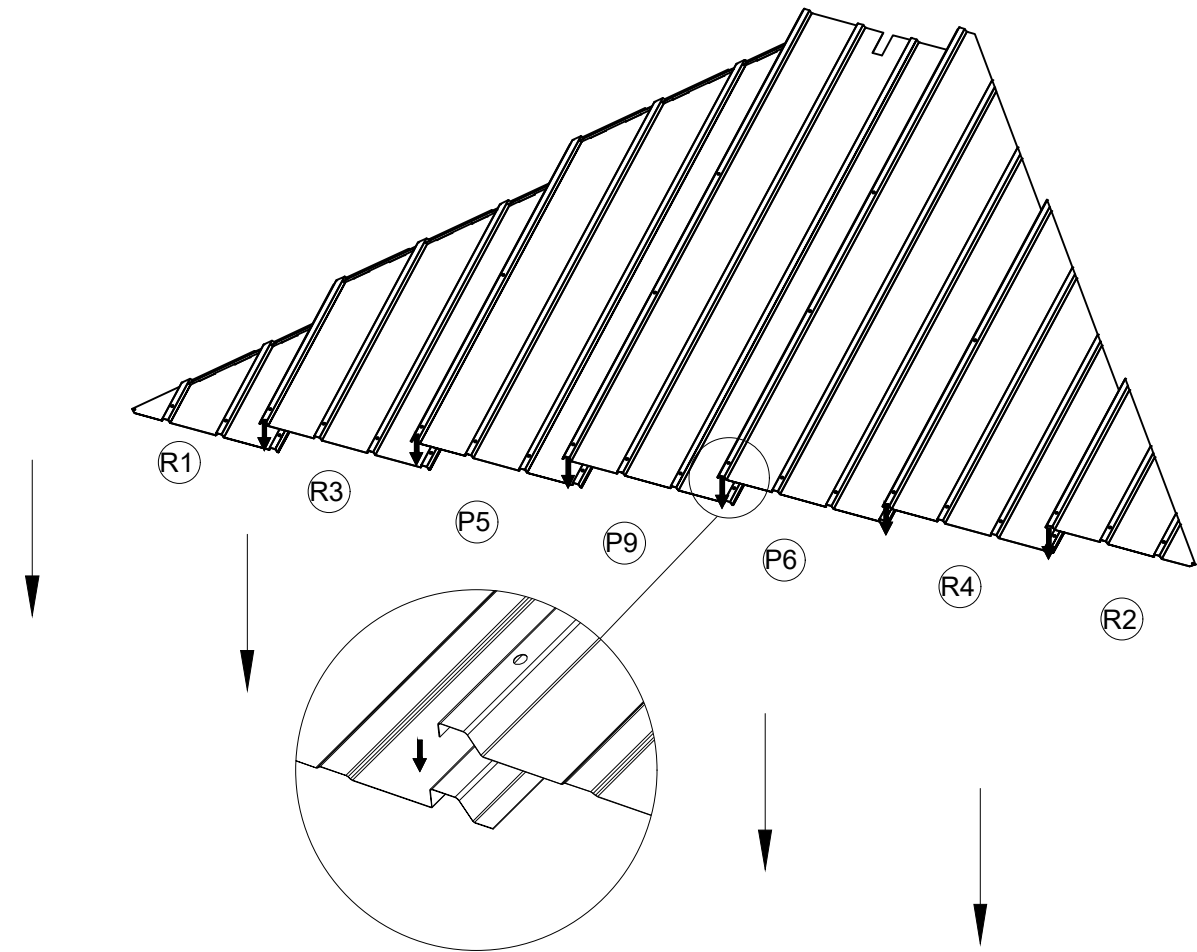




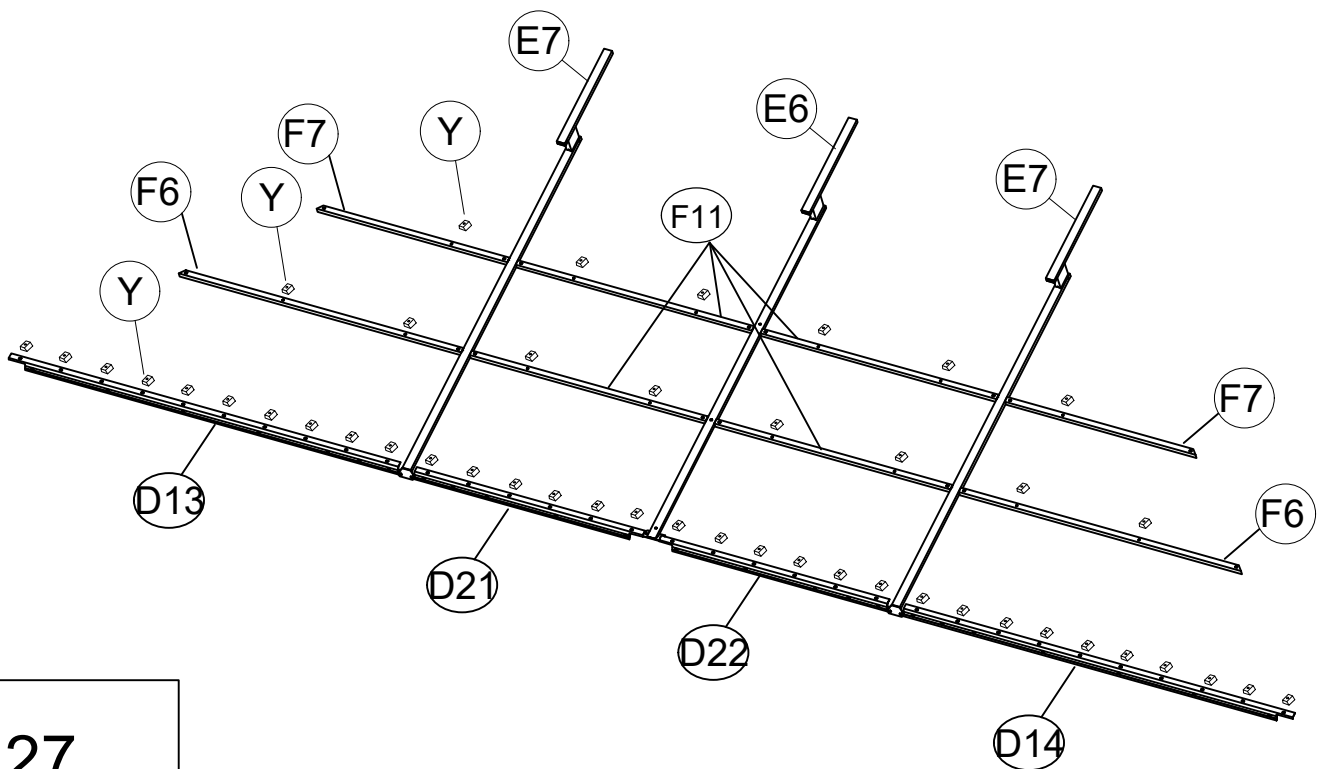
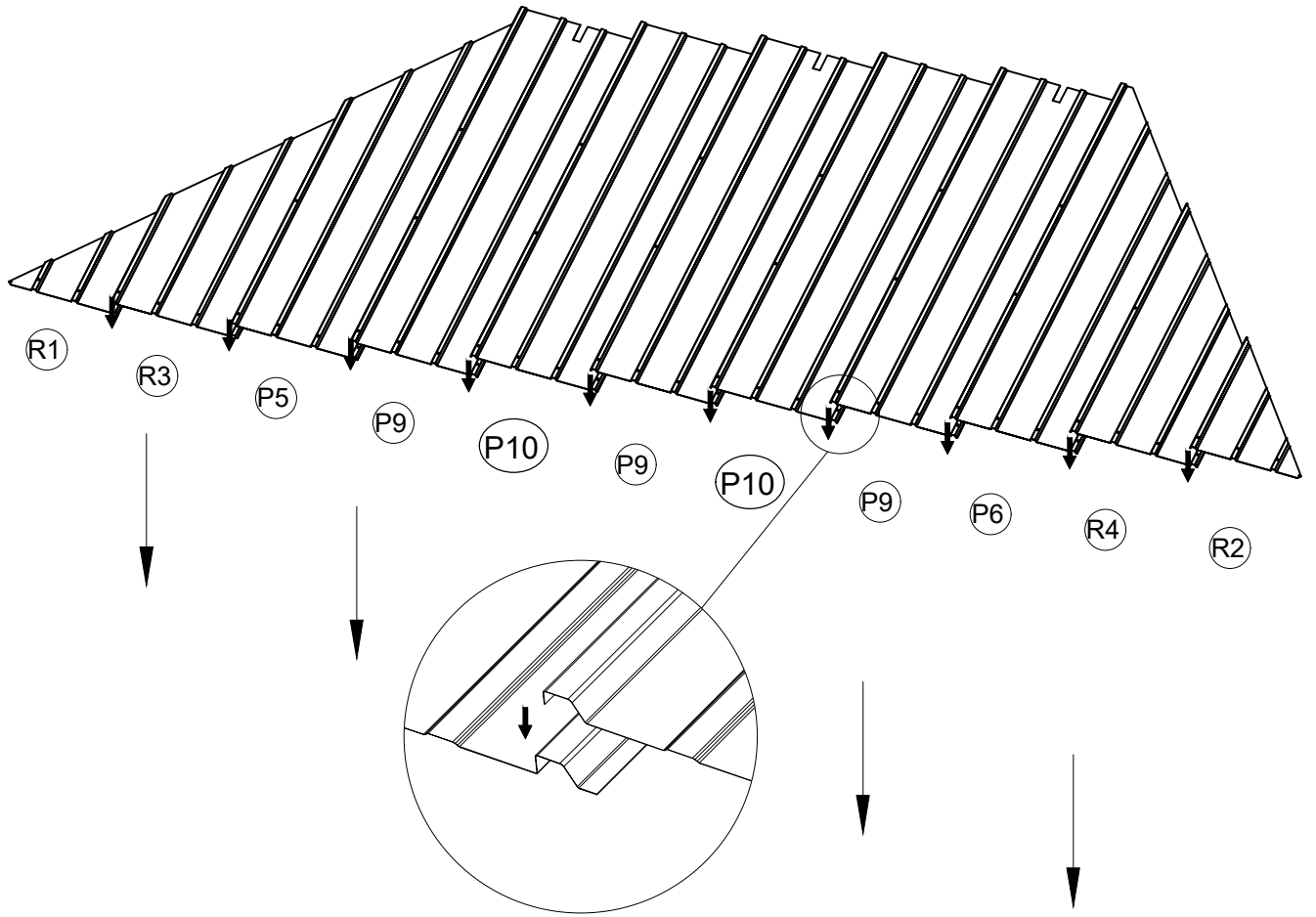
<21>



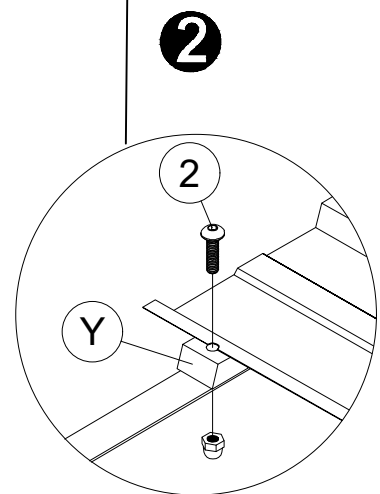
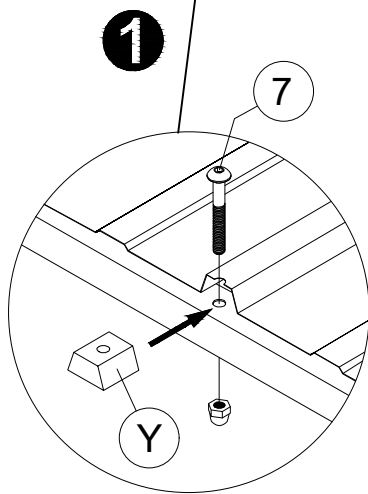
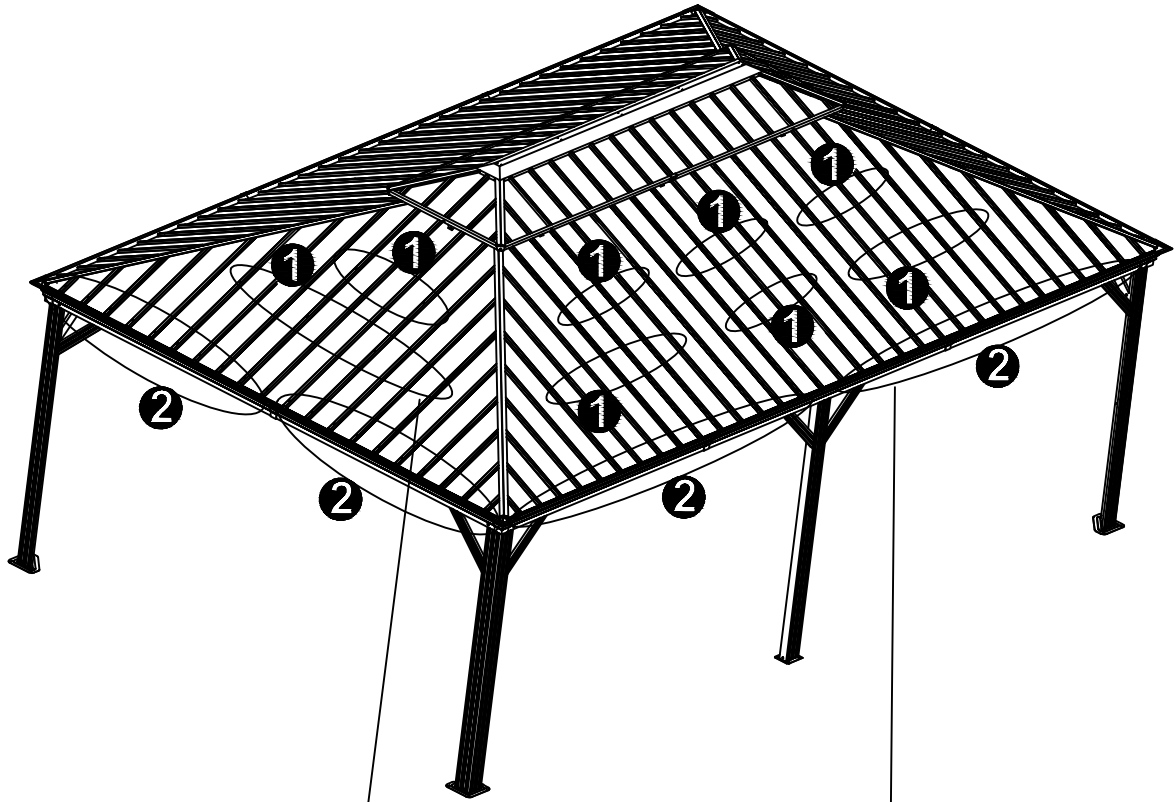
<22>

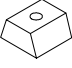

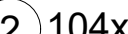




<23>

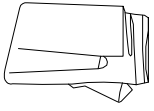


27



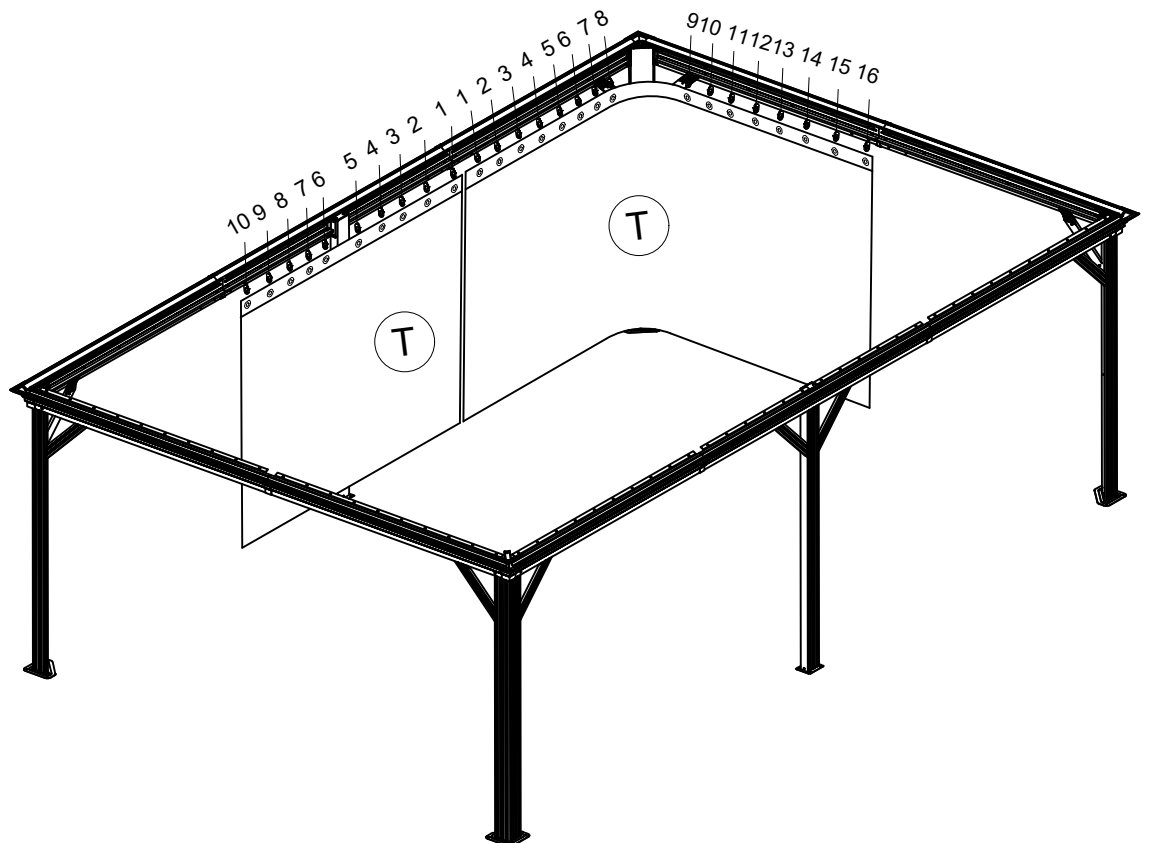
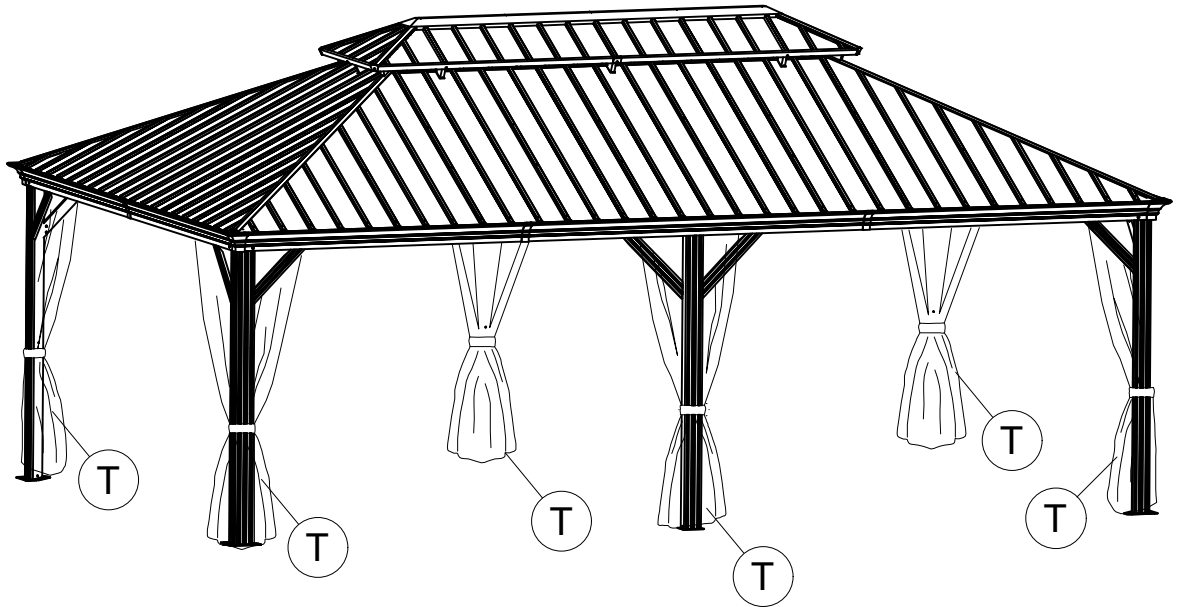
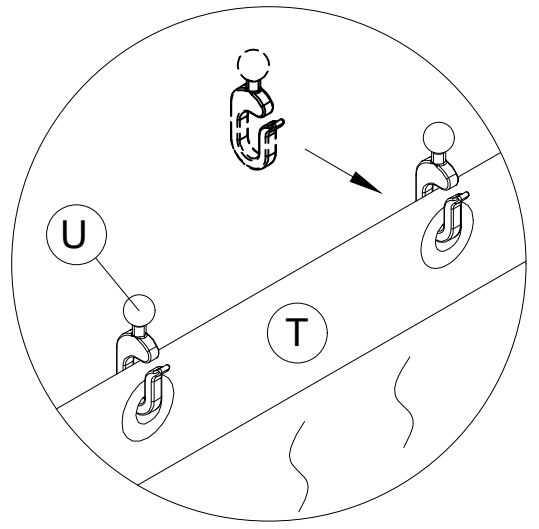
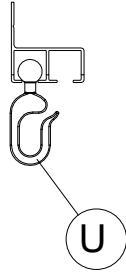
-   
Y 144x
-   
M6x23
-   
2 104x
-   
M6x47
-   
7 40x

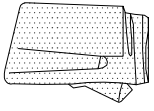
Note:  
When installing the roof top plates, if the roof plates are slightly uneven, please press the screws from the top of the plates until the bottom screw thread is exposed by 3 to 4mm, and then screw on the nut.



<25>

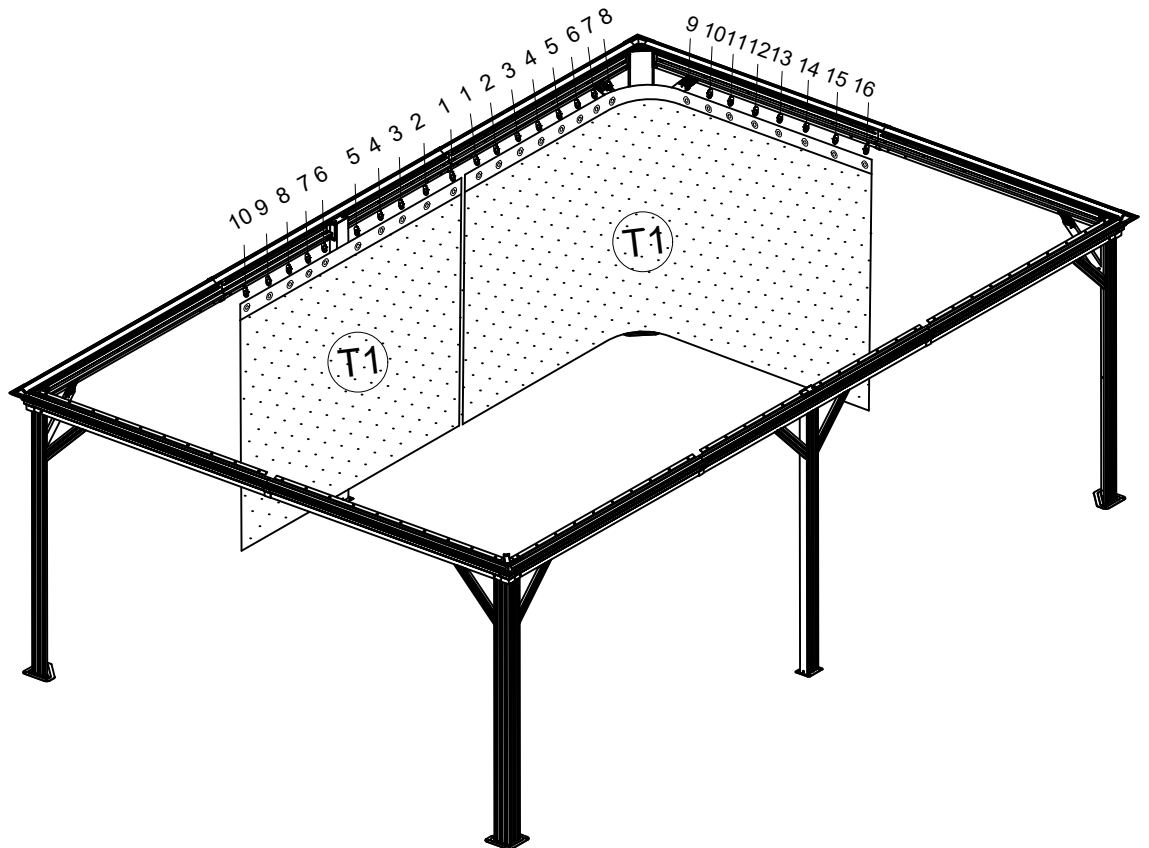
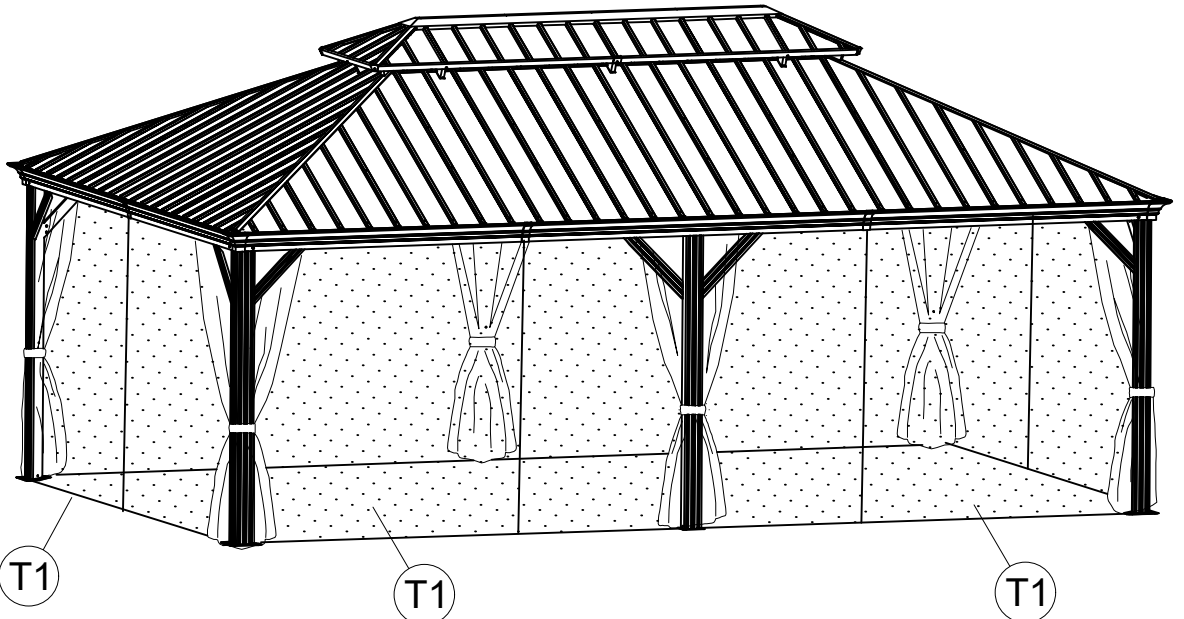
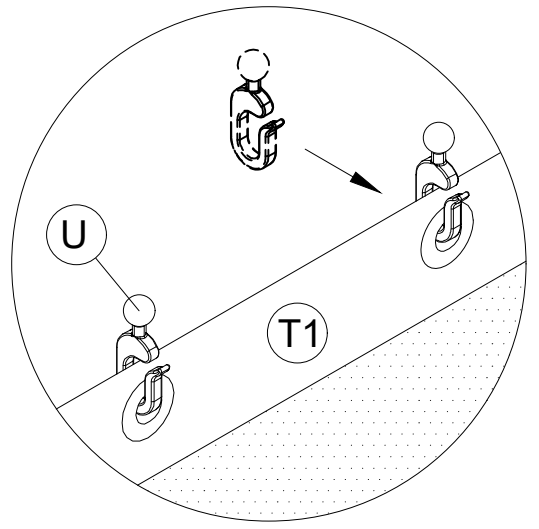
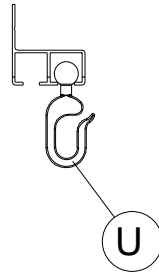
T 4x + 2x



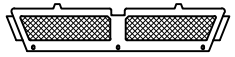


<26>

T1 4x + 2x



<27>



V1 2x



V4a 2x

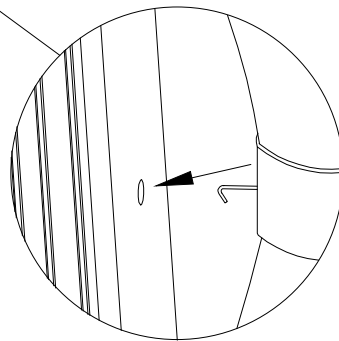
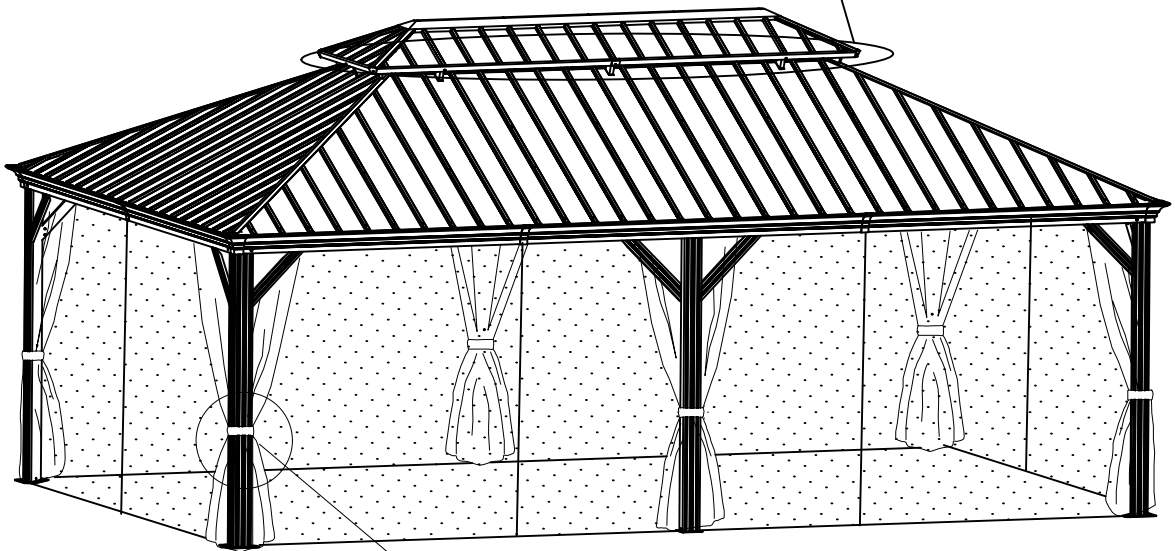
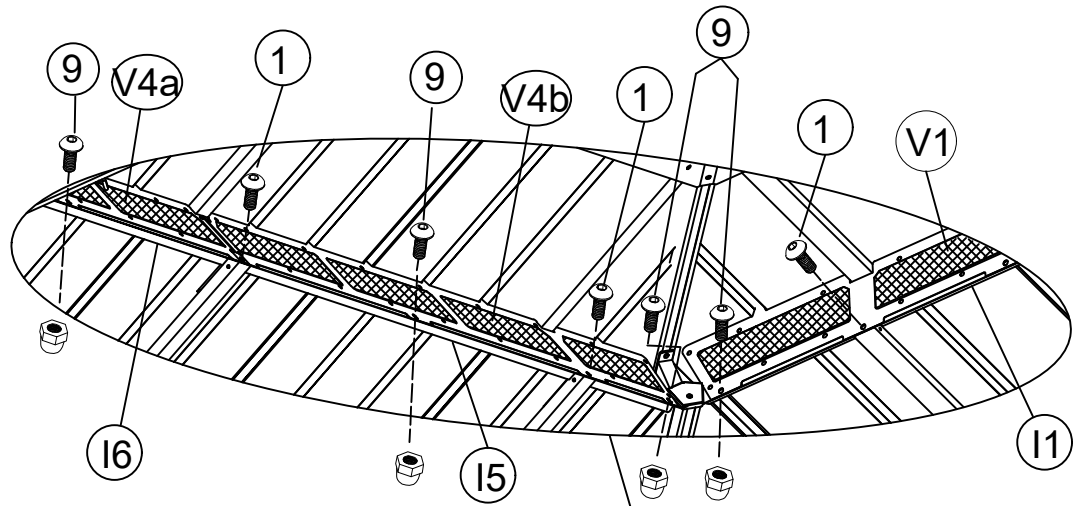


V4b 2x



M6x10

9 12x



Carton-1/6		Carton-3/6		Carton-4/6	
Part	Qty	Part	Qty	Part	Qty
A	4	G5	2	L4C	1
A3	2	G6	2	M4	1
F6	8	I1	2	B21	2
F7	6	I5	2	E4	4
F11	8	I6	2	E6	2
E5	2	E5	2	E7	4
		F7	2	E8	2
		P	6	J	4
Carton-2/6		J1	2	H	4
Part	Qty	K	4	H1	4
B11	4	K1	6	H3	2
B12	4	N	8	H4	2
D13	4	N1	2		
D14	4	V	6	Carton-5/6	
D21	2	W	8	Part	Qty
D22	2	W1	16	S1	4
V1	2	W3	8	S2	4
V4a	2	W4	12	S3	8
V4b	2	W5	4	P5	4
F8	3	Y	144	P6	4
		U	168	P10	4
		Z	72		
Carton-3/6		Z1	16	Carton-6/6	
Part	Qty	Z2	8	Part	Qty
C3	4	T	4 + 2	R1	4
C4	4	T1	4 + 2	R2	4
C7	2	1.2.4.5.7.8.9.10. 11.12.13.14.15	1	R3	4
C8	2			R4	4
G1	2			P9	8