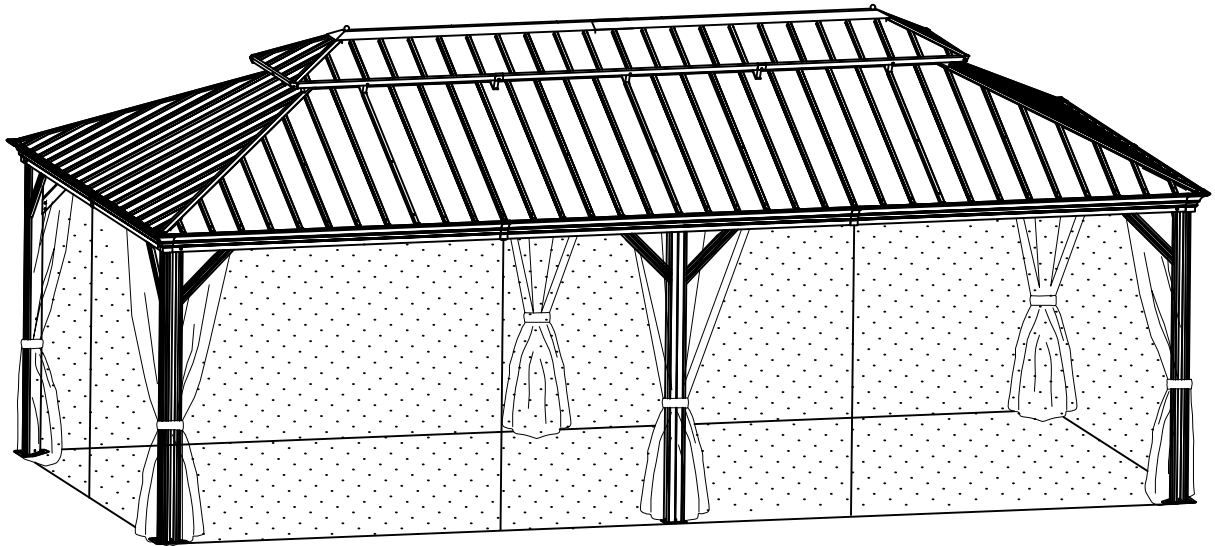


# 12 x 24FT

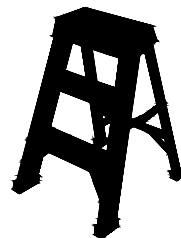
□ □ □ □ □ □ □ □ WQG039TN □ □ □ □ □ □ □ □



At least need 5 people work together

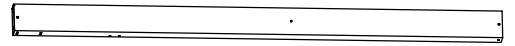
---

## REQUIRED TOOLS

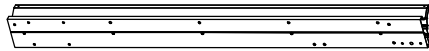




A 4x



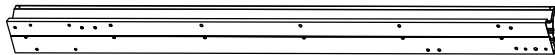
A3 2x



B1 2x



B2 2x



B5 2x



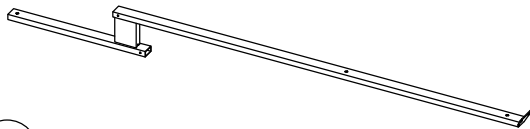
B6 2x



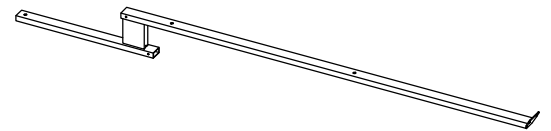
B18 2x



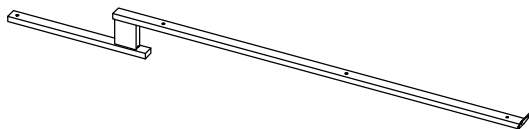
E 4x



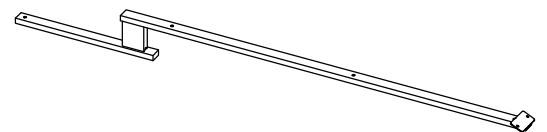
E1 2x



E15 4x



E2 4x



E3 2x



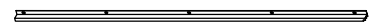
E5 4x



C1 2x



C2 2x



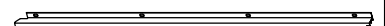
C5 2x

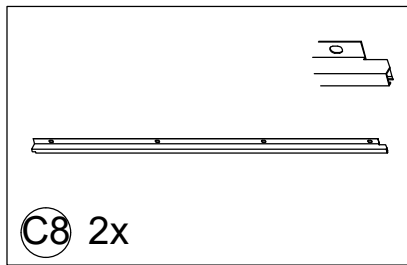


C6 2x

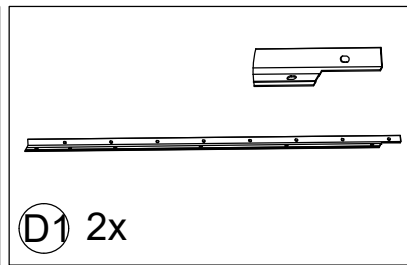


C7 2x

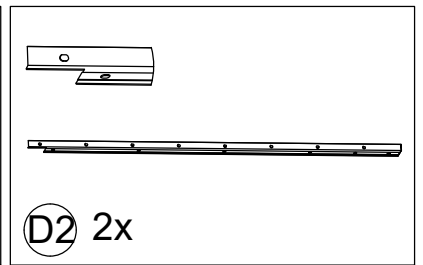




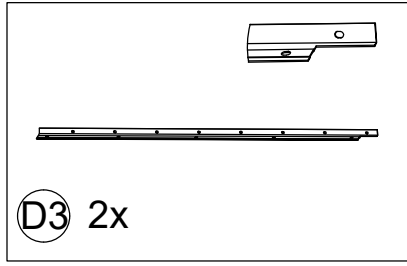
C8 2x



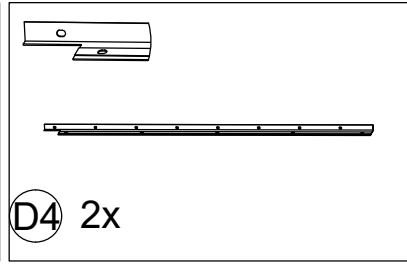
D1 2x



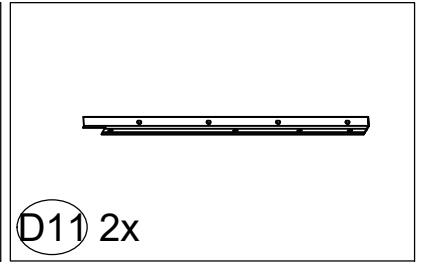
D2 2x



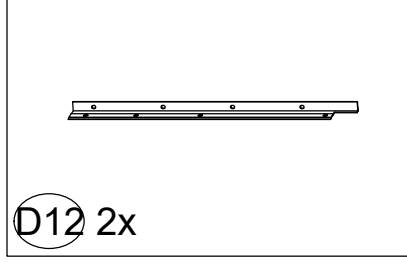
D3 2x



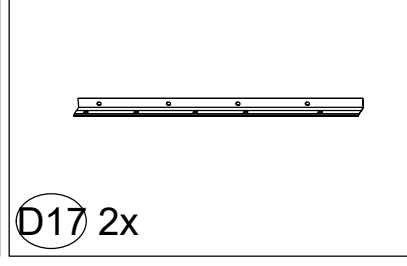
D4 2x



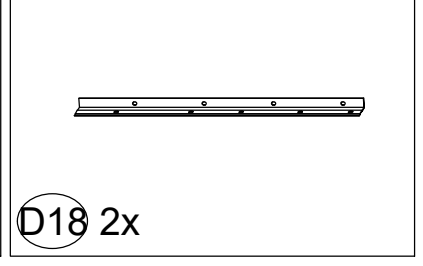
D11 2x



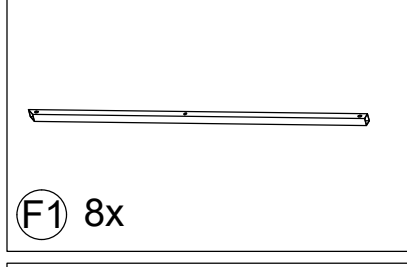
D12 2x



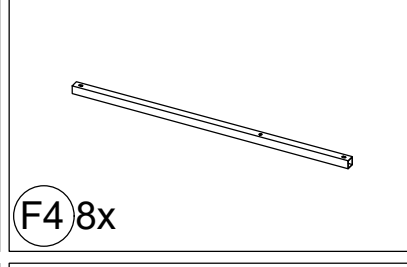
D17 2x



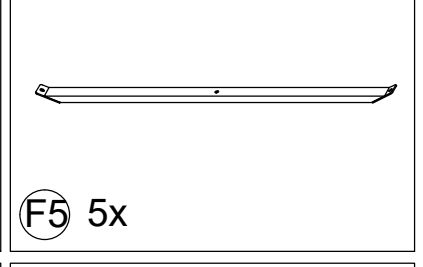
D18 2x



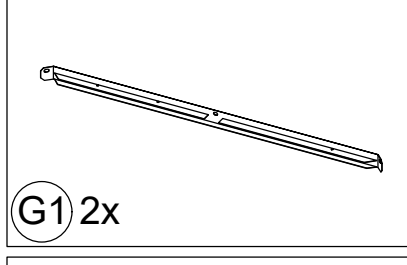
F1 8x



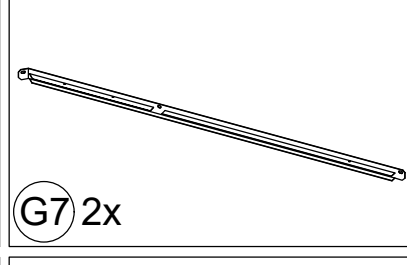
F4 8x



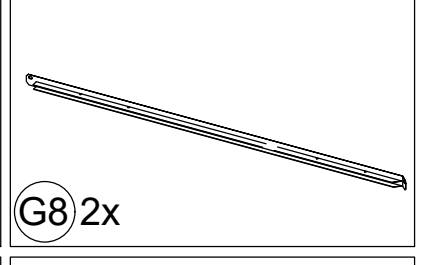
F5 5x



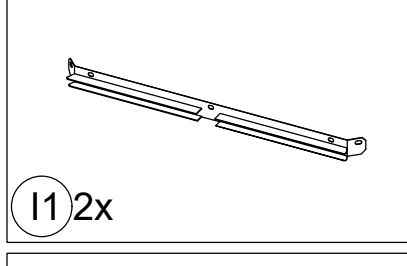
G1 2x



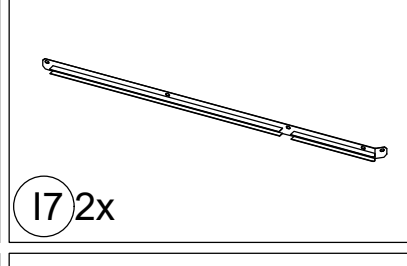
G7 2x



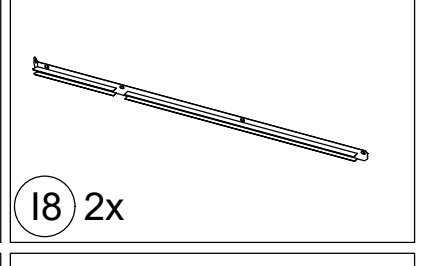
G8 2x



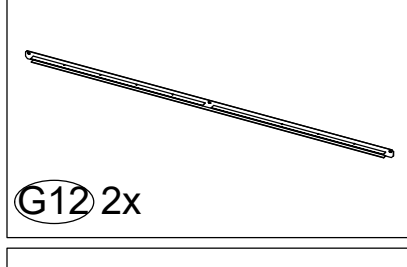
I1 2x



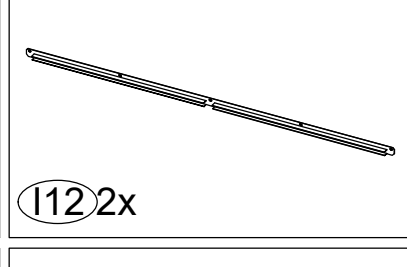
I7 2x



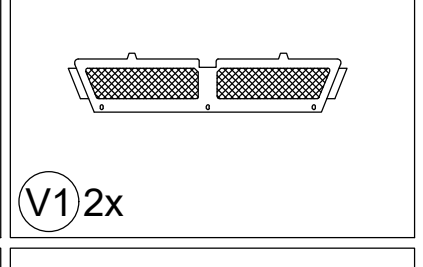
I8 2x



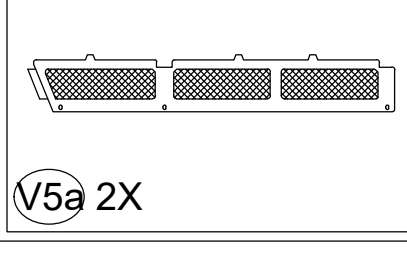
G12 2x



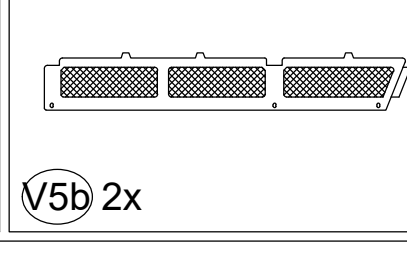
I12 2x



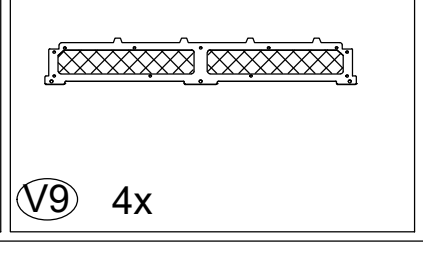
V1 2x



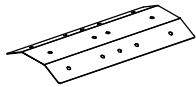
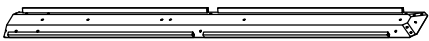
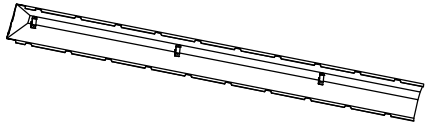
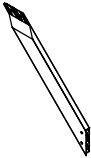
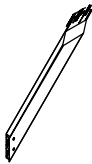
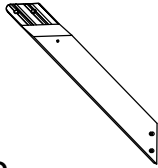
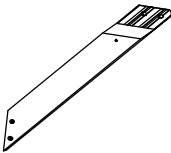
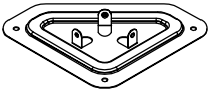
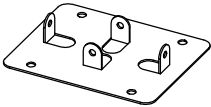
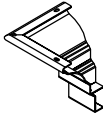


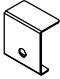
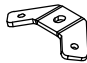
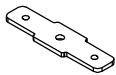
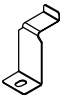



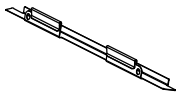
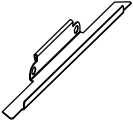
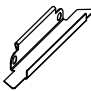
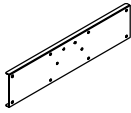

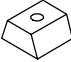
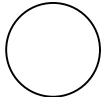
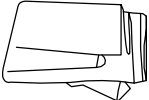
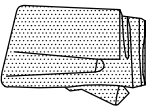
V5a 2X

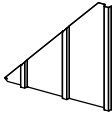
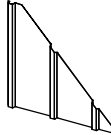
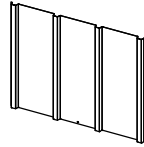
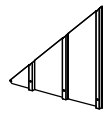
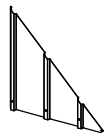
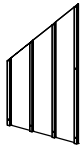

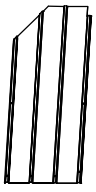














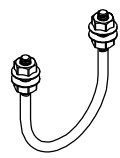






V5b 2x



V9 4x

	 L8b 1x	 L9 2x	 M9b 2x
	 H 4x	 H1 4x	 H3 2x
	 H4 2x	 J 4x	 J1 2x
	 K 4x	 K1 6x	
	 N 8x	 N1 4x	 W 4x
	 W1 12x	 V 6x	 W3 8x
	 W4 12x	 W5 4x	
	 Z 64x	 Z1 8x	 Z2 8x
	 P 6x	 U 168x	 Y 128x
	 Za 2x		
	 T 4x + 2x	 T1 4x + 2x	

 S1 4x	 S2 4x	 S3 12x	 R1 4x
 R2 4x	 R3 4x	 R4 4x	 R5 4x
 R6 4x	 R8 4x	 R9 4x	 R10 4x
 M6x15 1 440x	 M6x23 2 96x	 M6x25 3 8x	 ST 4.8x12 4 28x
 5 5x	 M6x42 6 8x	 M6x47 7 16x	 8 16x
 M6x10 9 26x	 10 20x	 11 2x	 4mm 12 2x
 6mm 13 1x	 14 1x	 M5x15 15 48x	

<1>

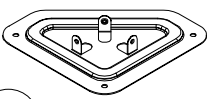
A 4x



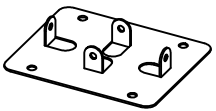
A3 2x



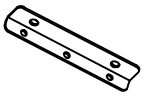
J 4x



J1 2x



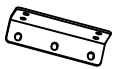
W3 8x



W4 12x



W5 4x



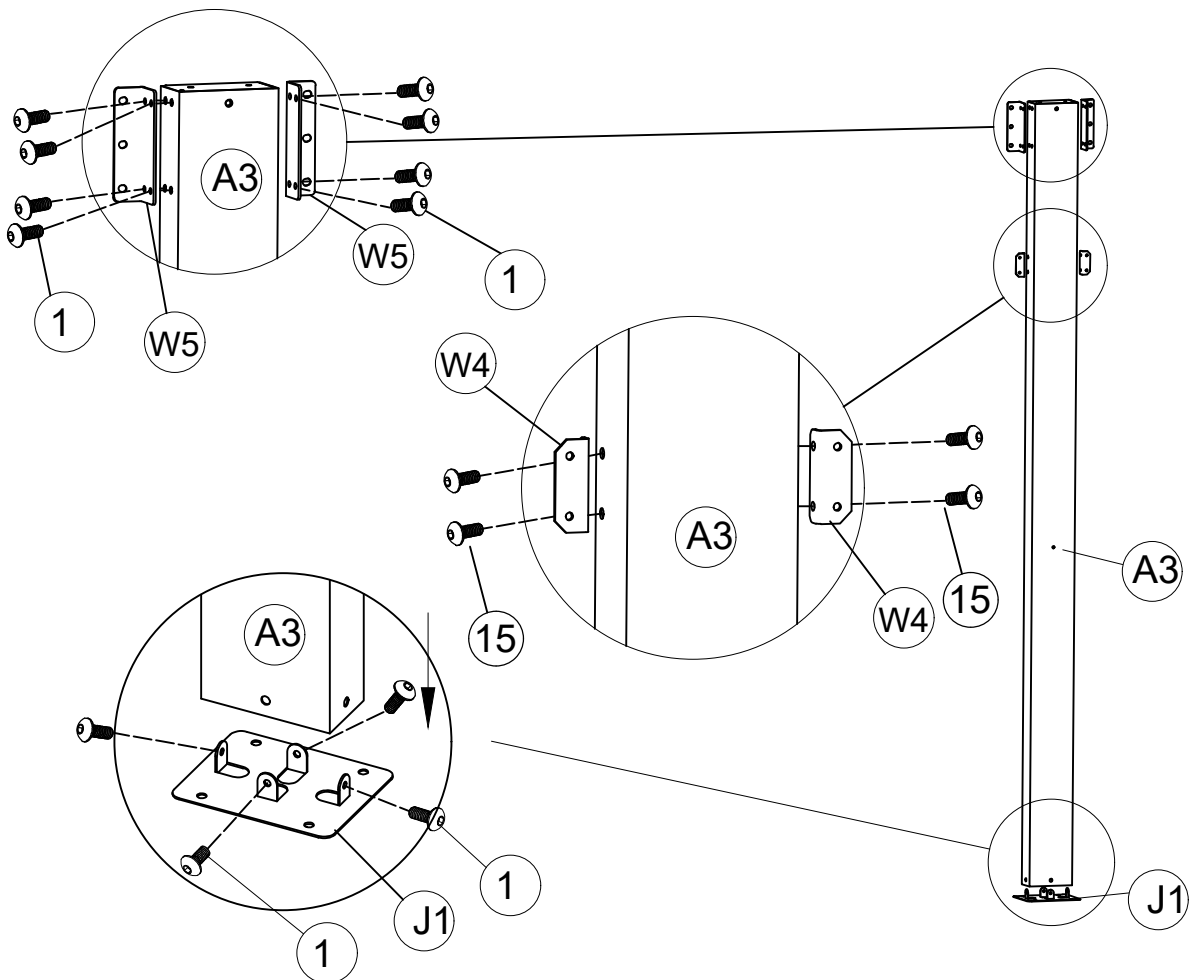
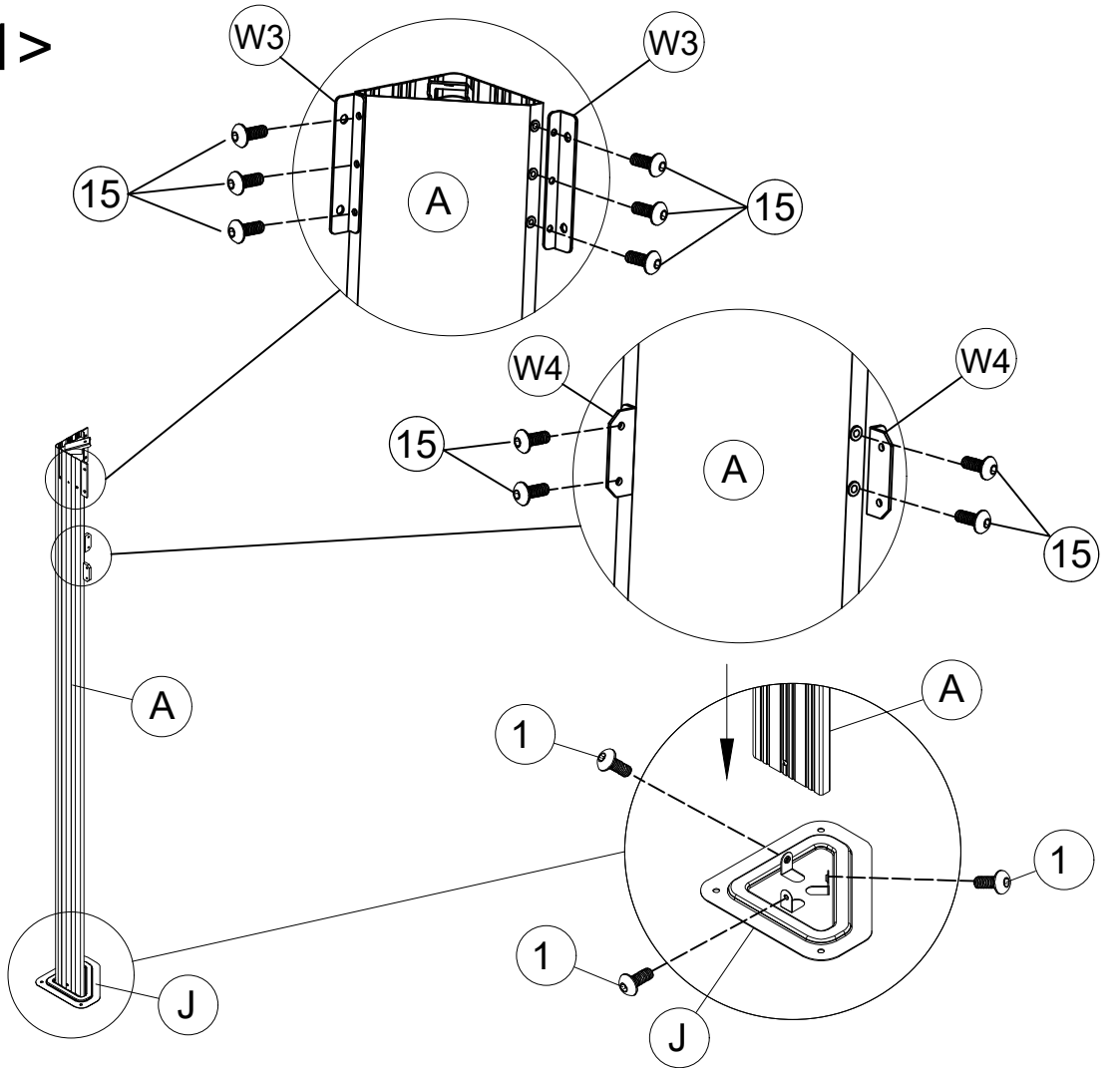
1 36x  
M6x15



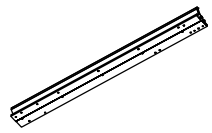
15 48x  
M5x15



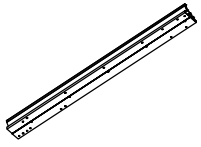
6



<2>



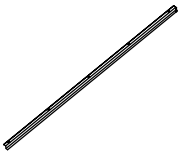
B1 2x



B2 2x



C1 2x



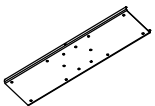
C2 2x



D1 2x



D2 2x



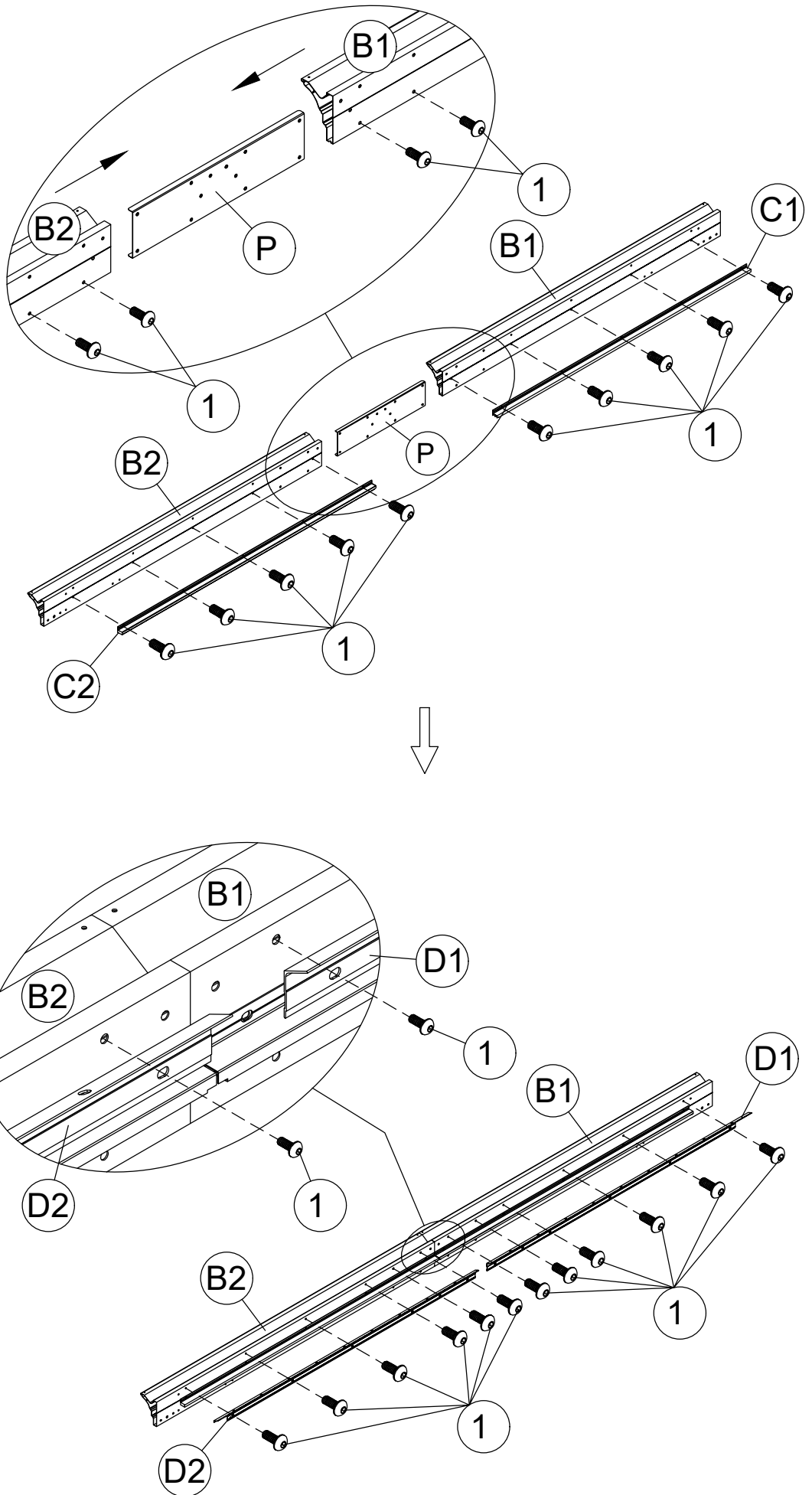
P 2x



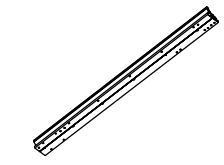
M6x15

1 52x

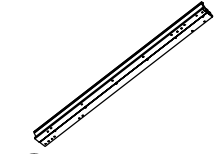
7



<3>



B5 2x



B6 2x



C5 2x



C6 2x



D3 2x

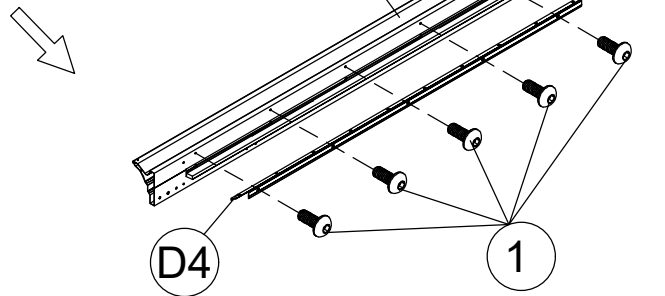
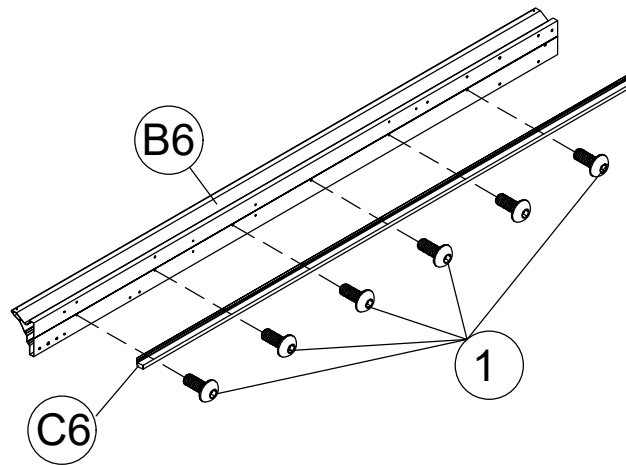
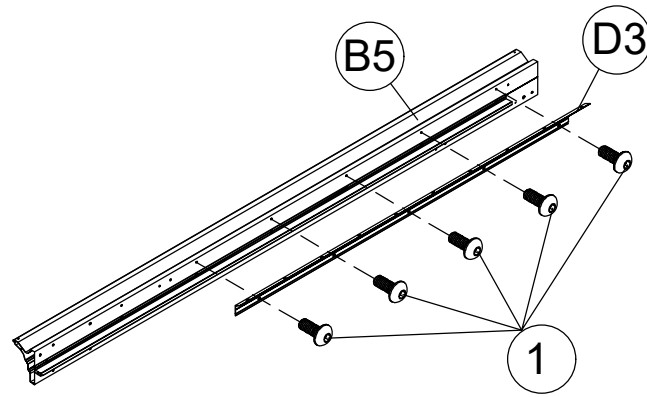
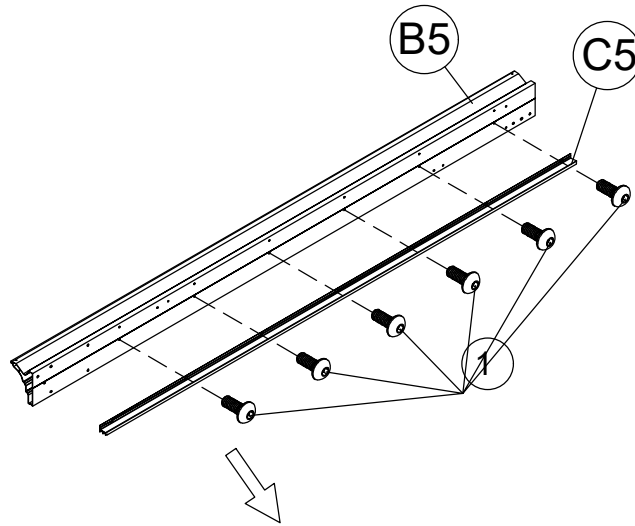


D4 2x

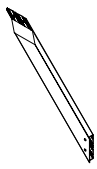


M6x15

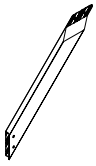
1 44 x







H 4x



H1 4x



M6x15

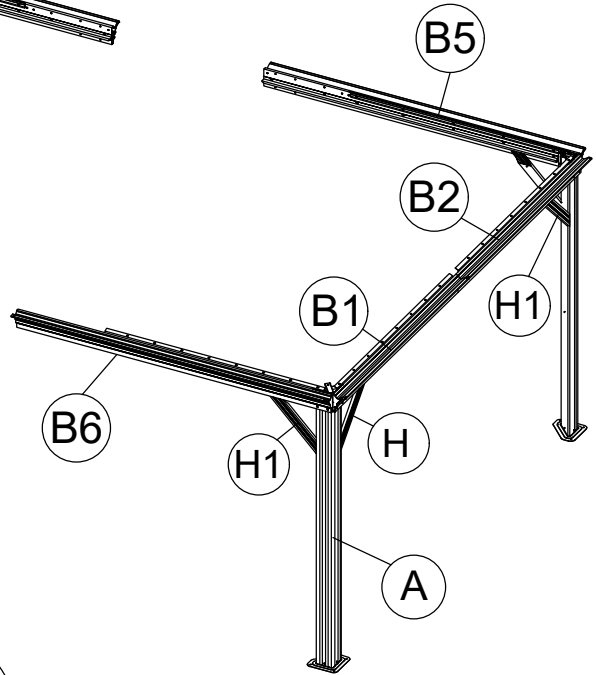
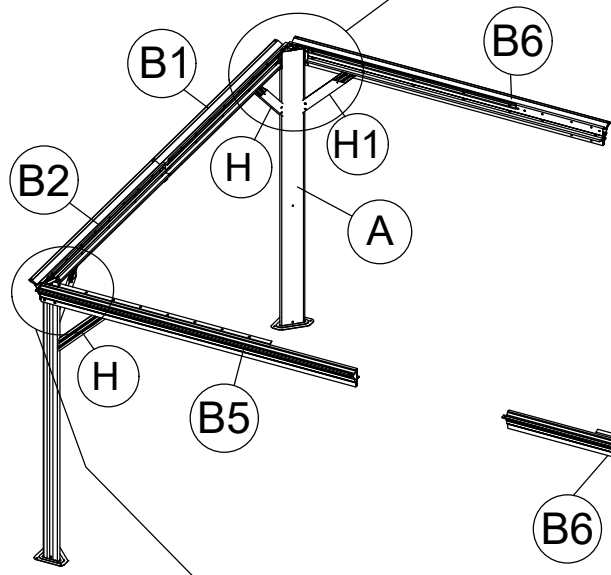
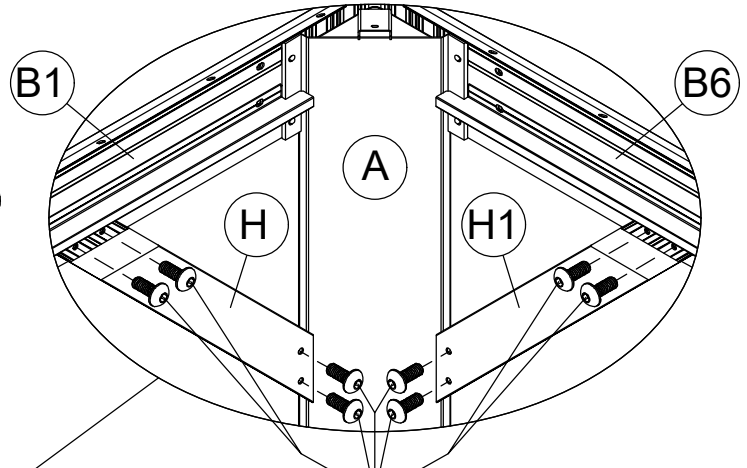
1 48x



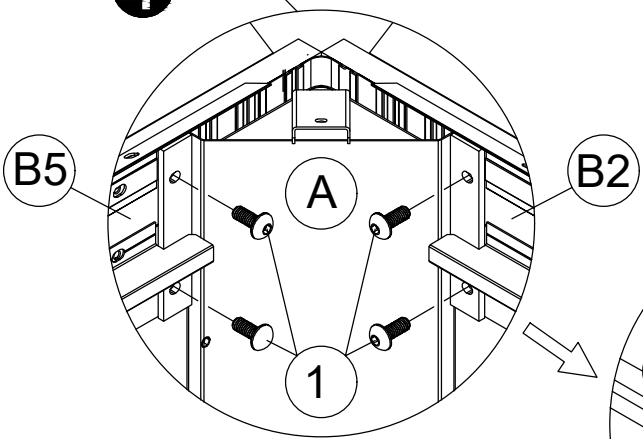
8 16x

<4>

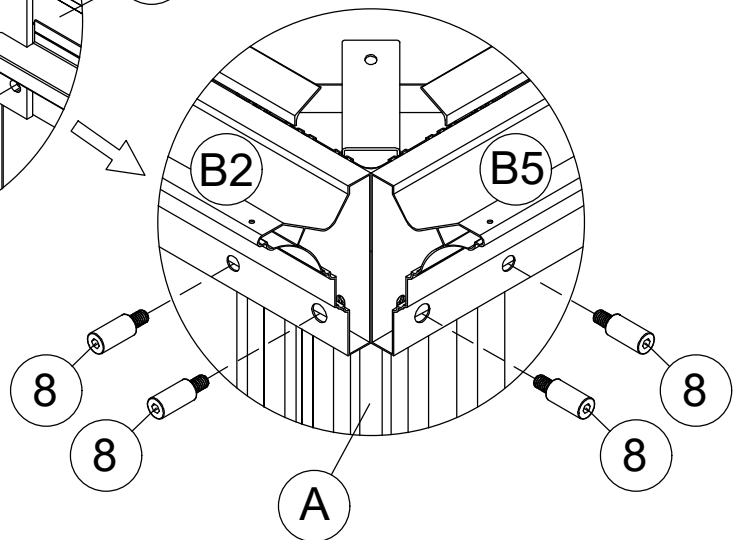
3



1



2



<5>

B18 2x

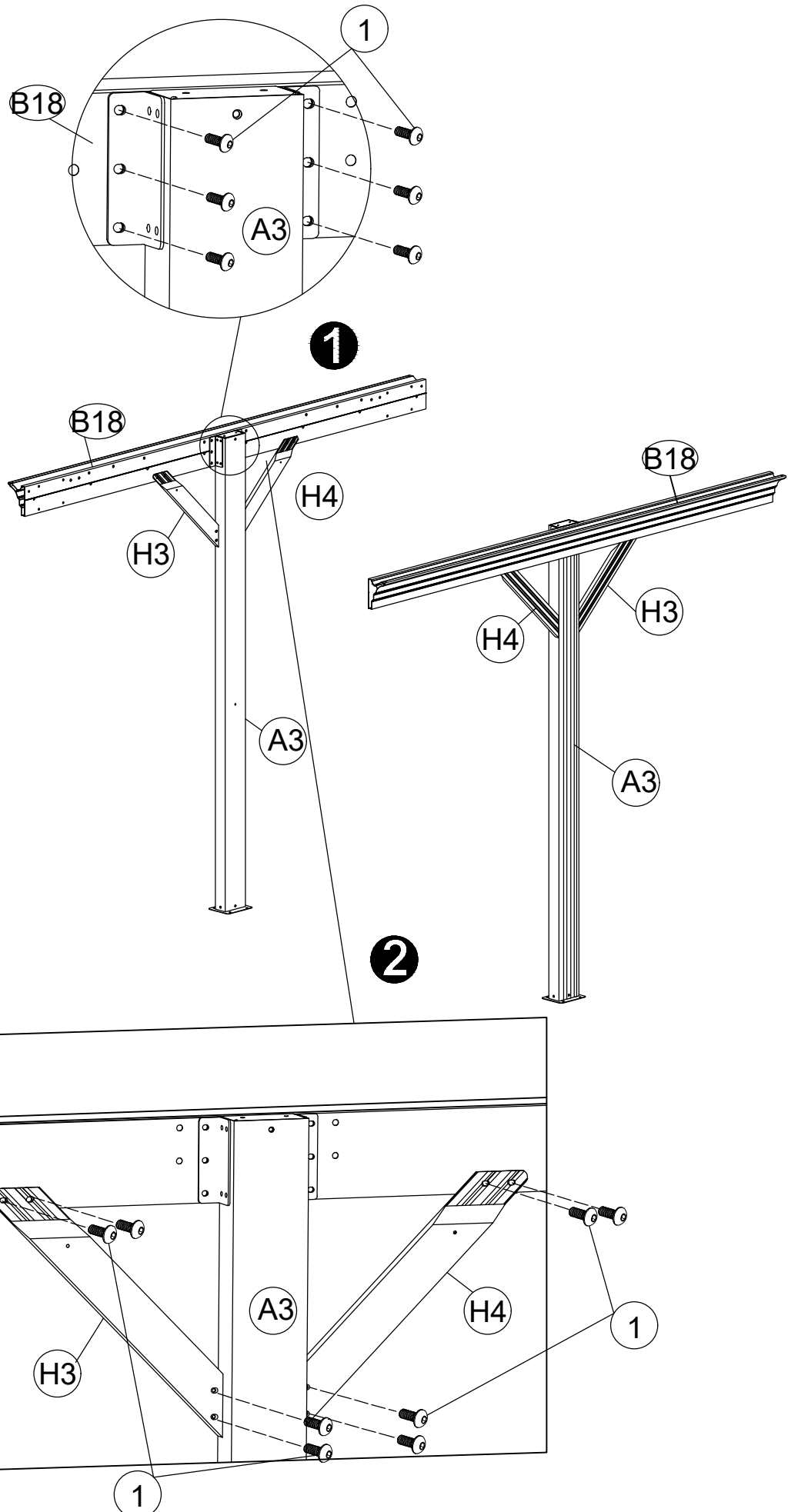
H3 2x

H4 2x

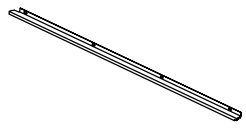
1 28x

M6x15

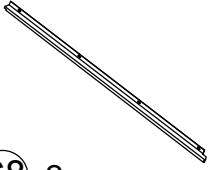
10



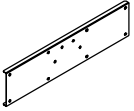
<6>



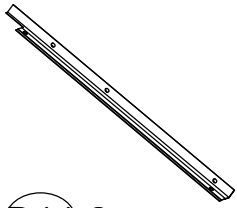
C7 2x



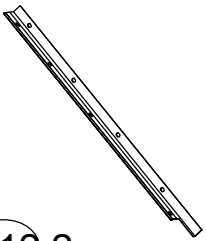
C8 2x



P 4x



D11 2x

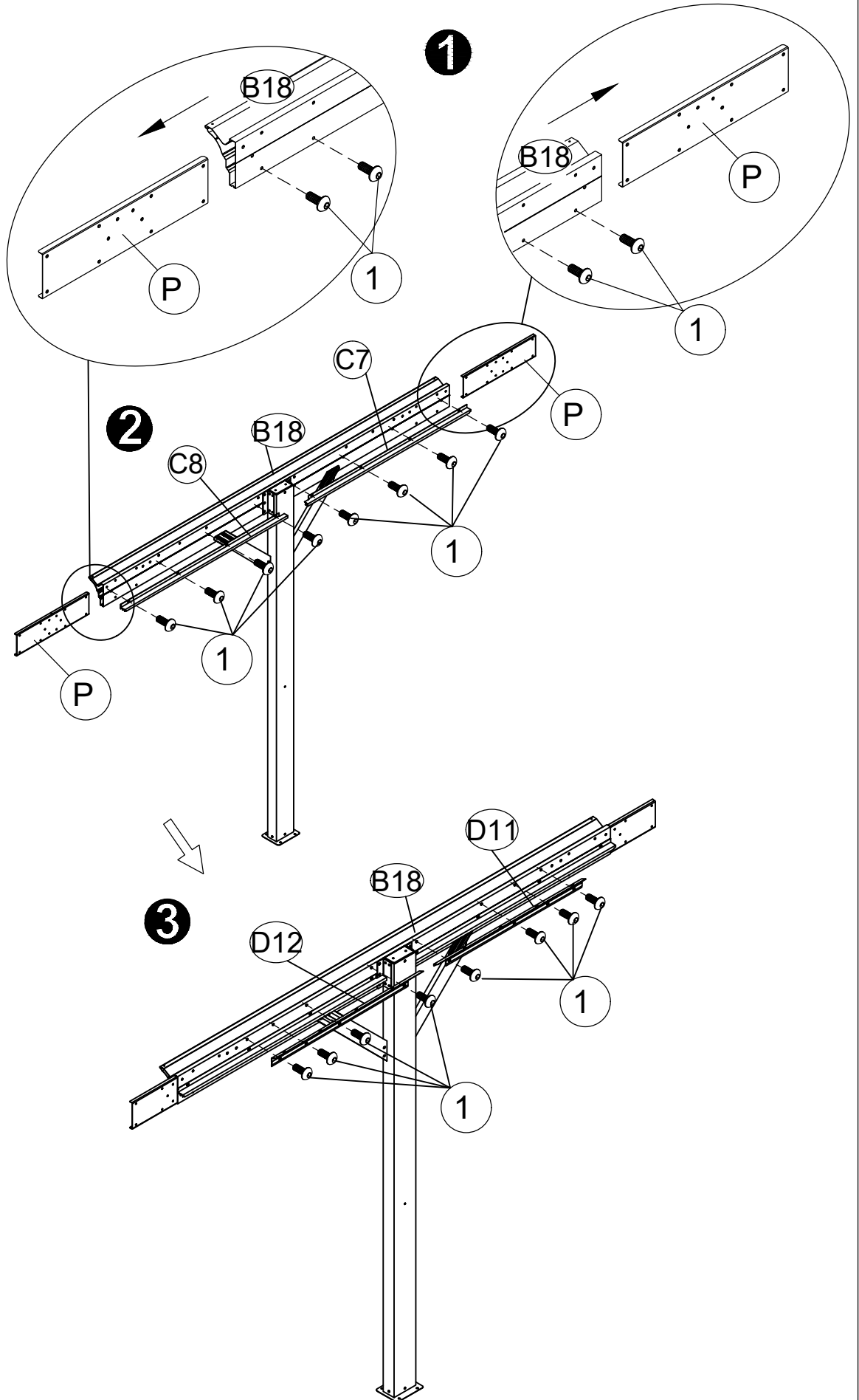


D12 2x



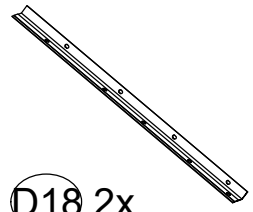
M6x15

1 40x



<7>

D17 2x

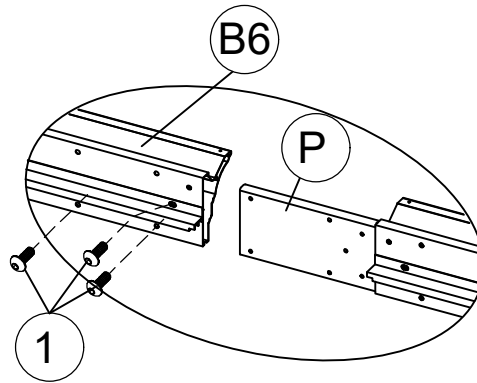


D18 2x

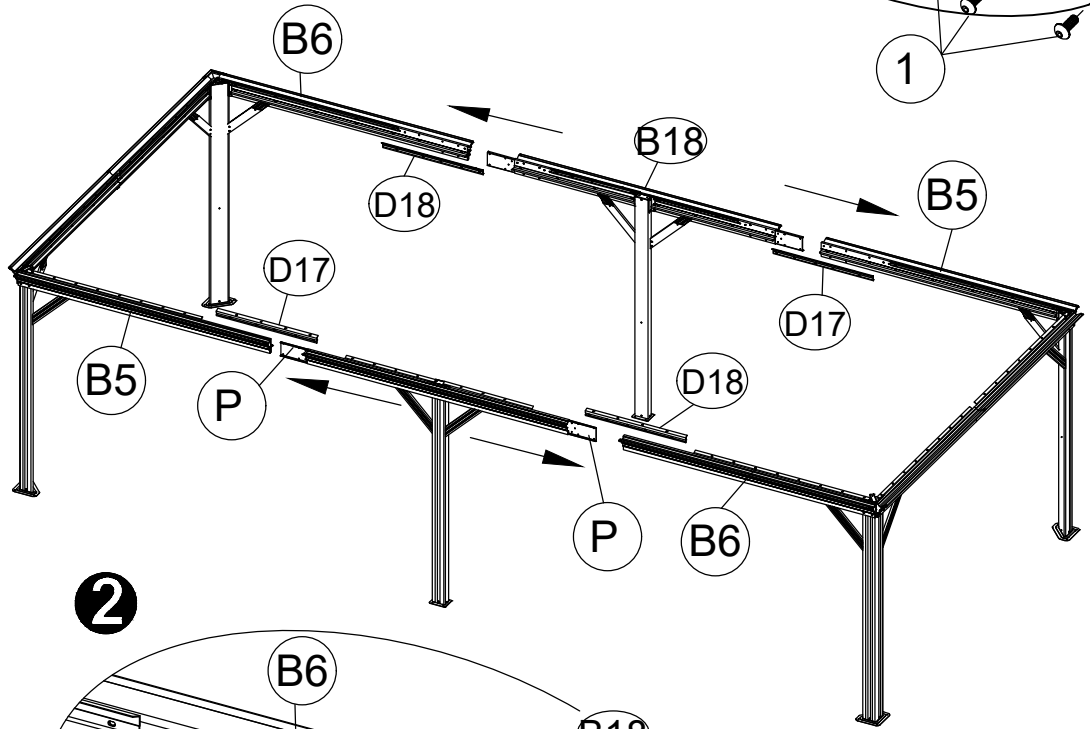
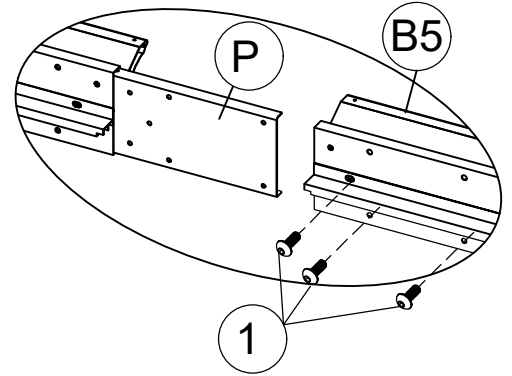


M6x15

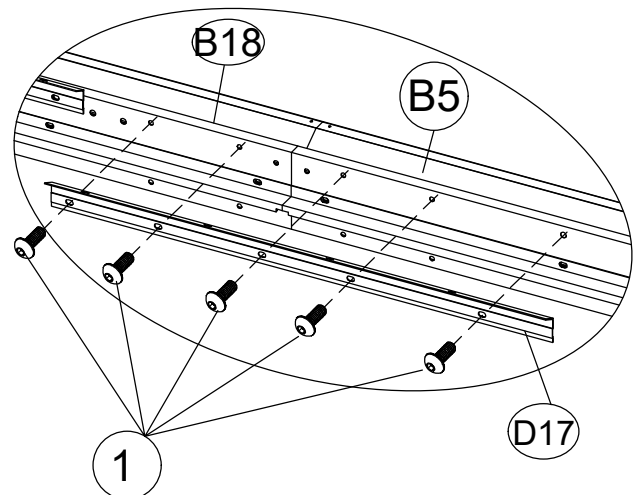
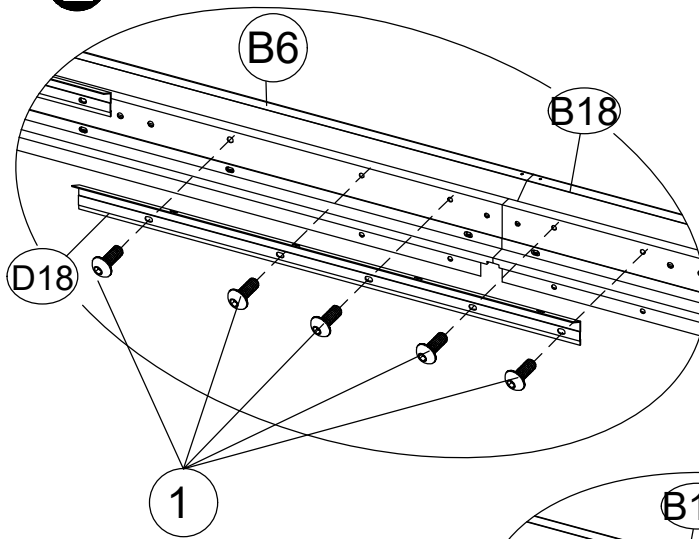
1 40x

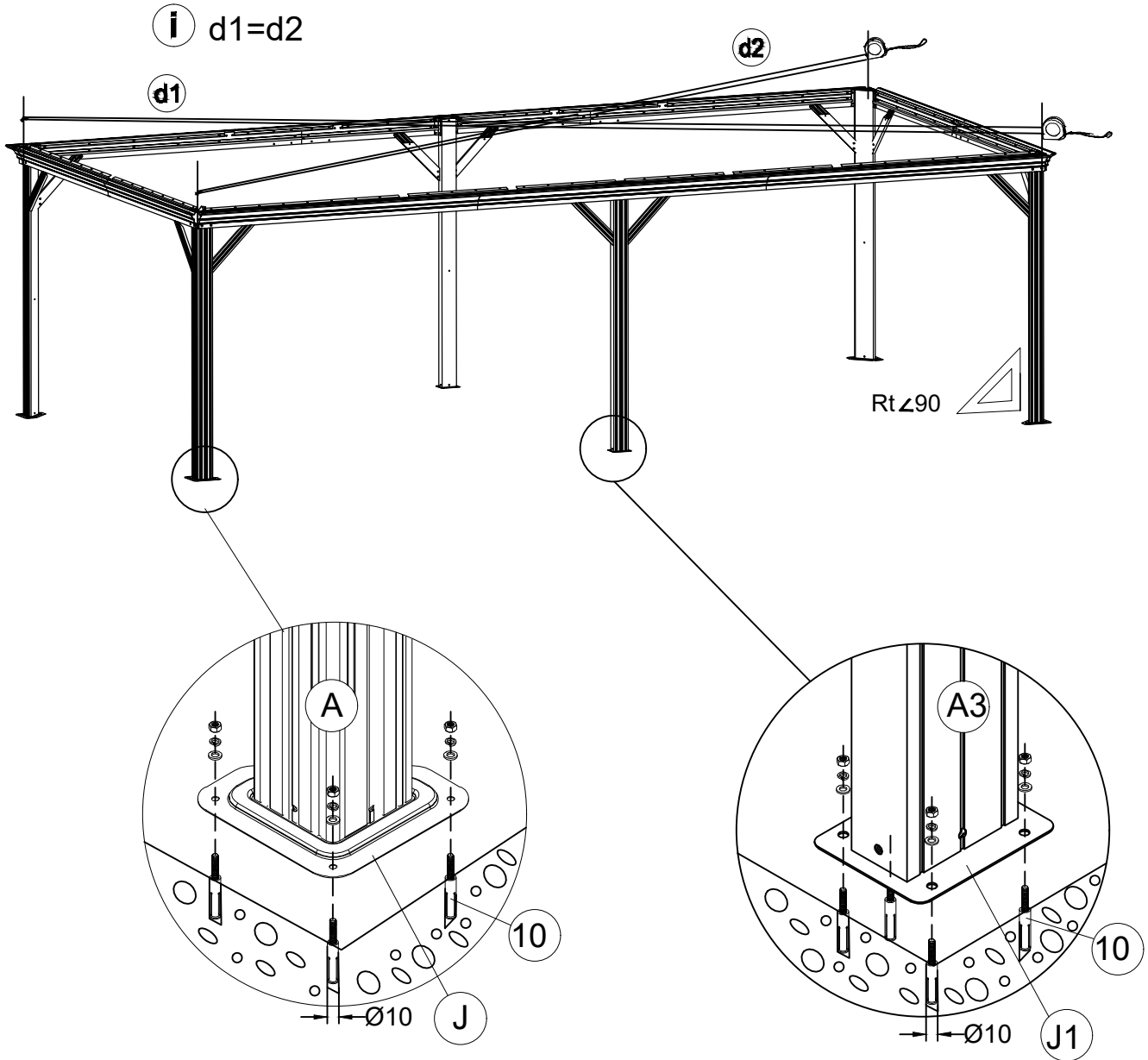


1



2





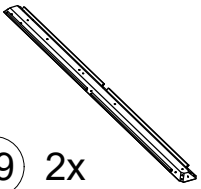
10 20x

Tips: Please measure to make sure the length of d1 is equal to d2 before moving to next step to ensure a square frame and best results. Otherwise, please loosen the "H" or "H1" screws and adjust them. Keep the beam at right angles to the post, the post at right angles to the ground, and keep the beam horizontal.



<10>

L9 2x



L8b 1x

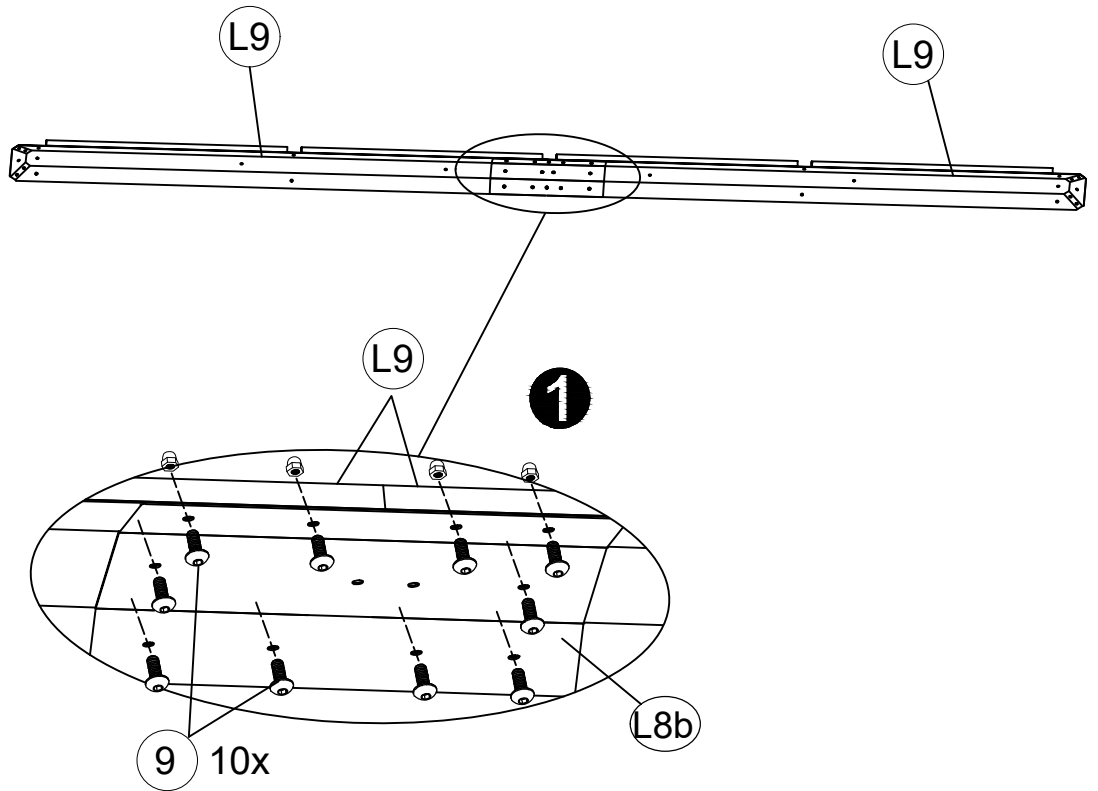
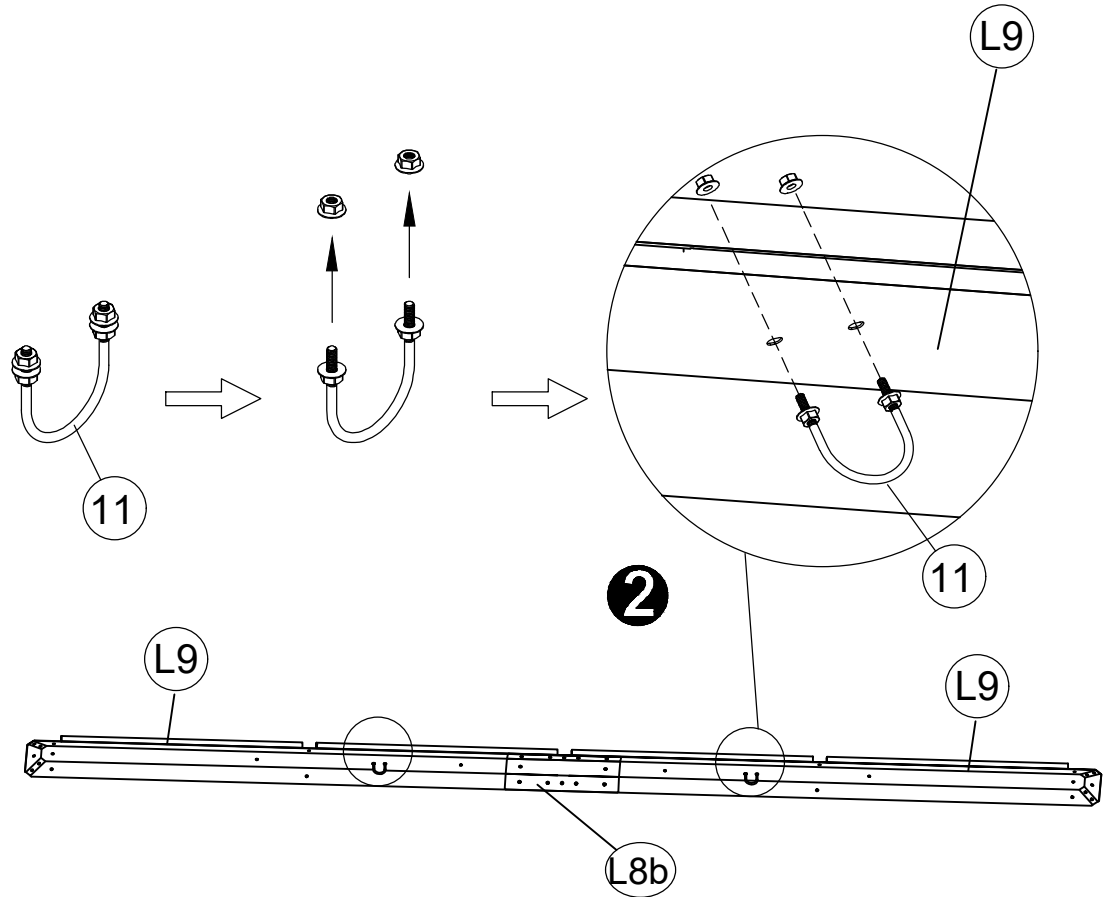
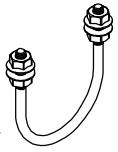


9 10x



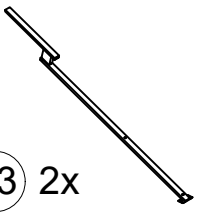
M6x10

11 2x

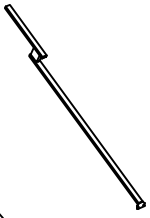


<11>

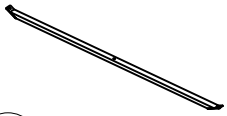
E3 2x



E15 4x



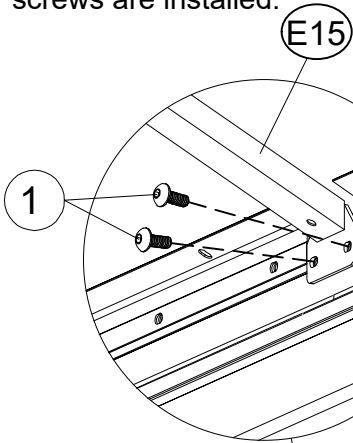
F5 3x



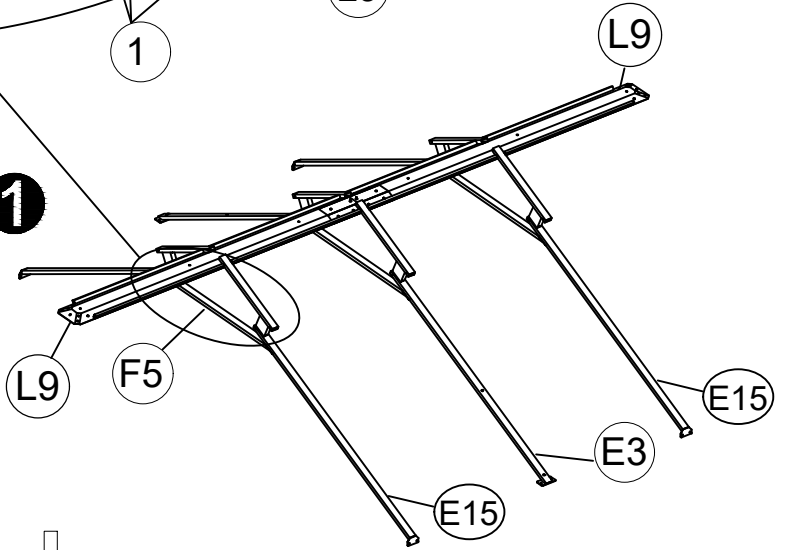
M6x15

1 24x

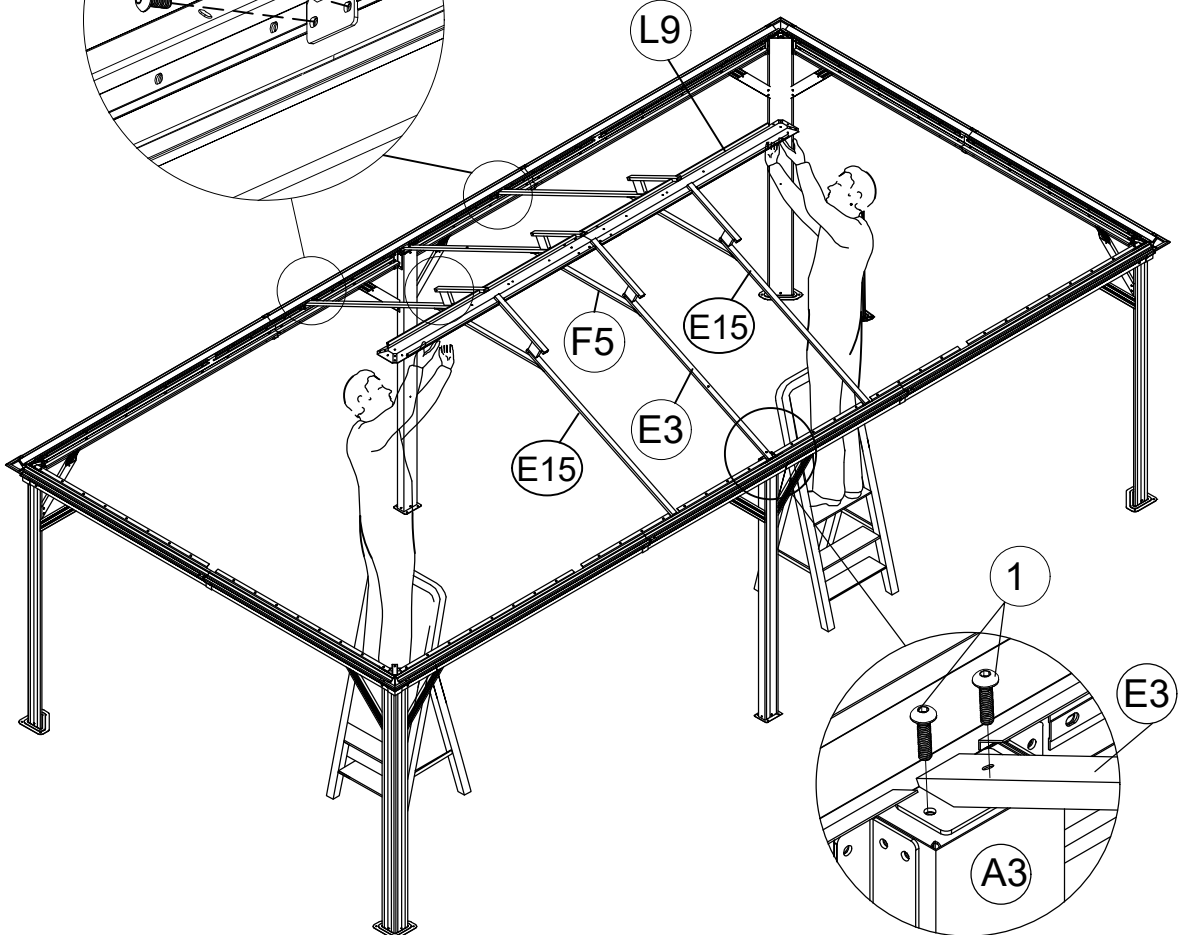
Note:  
1. Let two people stand on the ladders to lift "L9" and hold and let others fasten the screws connecting both ends of "E15" and "E3".  
2. Please do not let go of holding "L9" until all the "E15" and "E3" screws are installed.



1

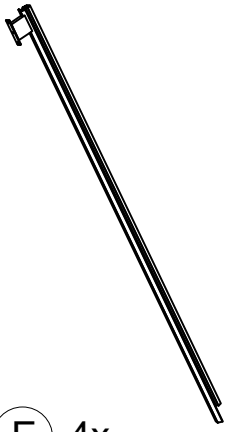


2





<12>



E 4x

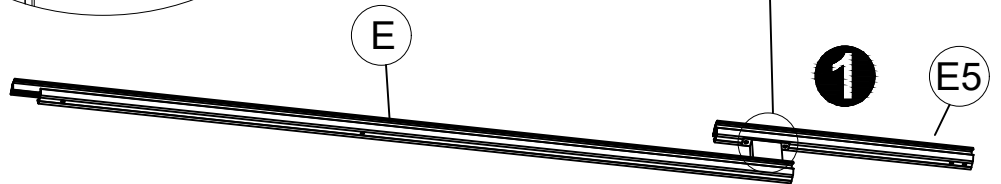
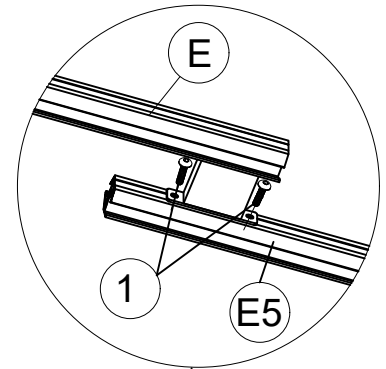
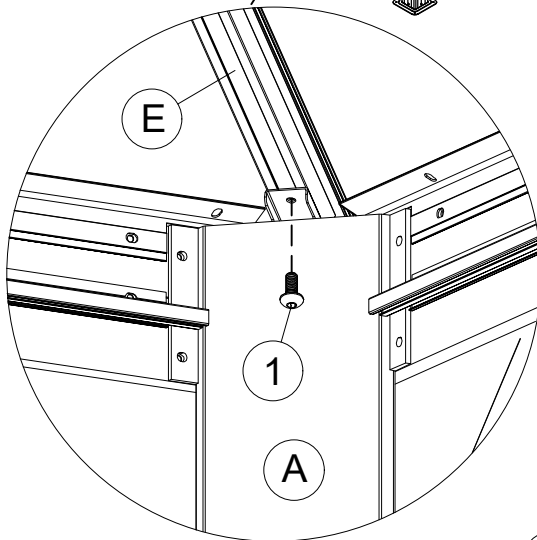
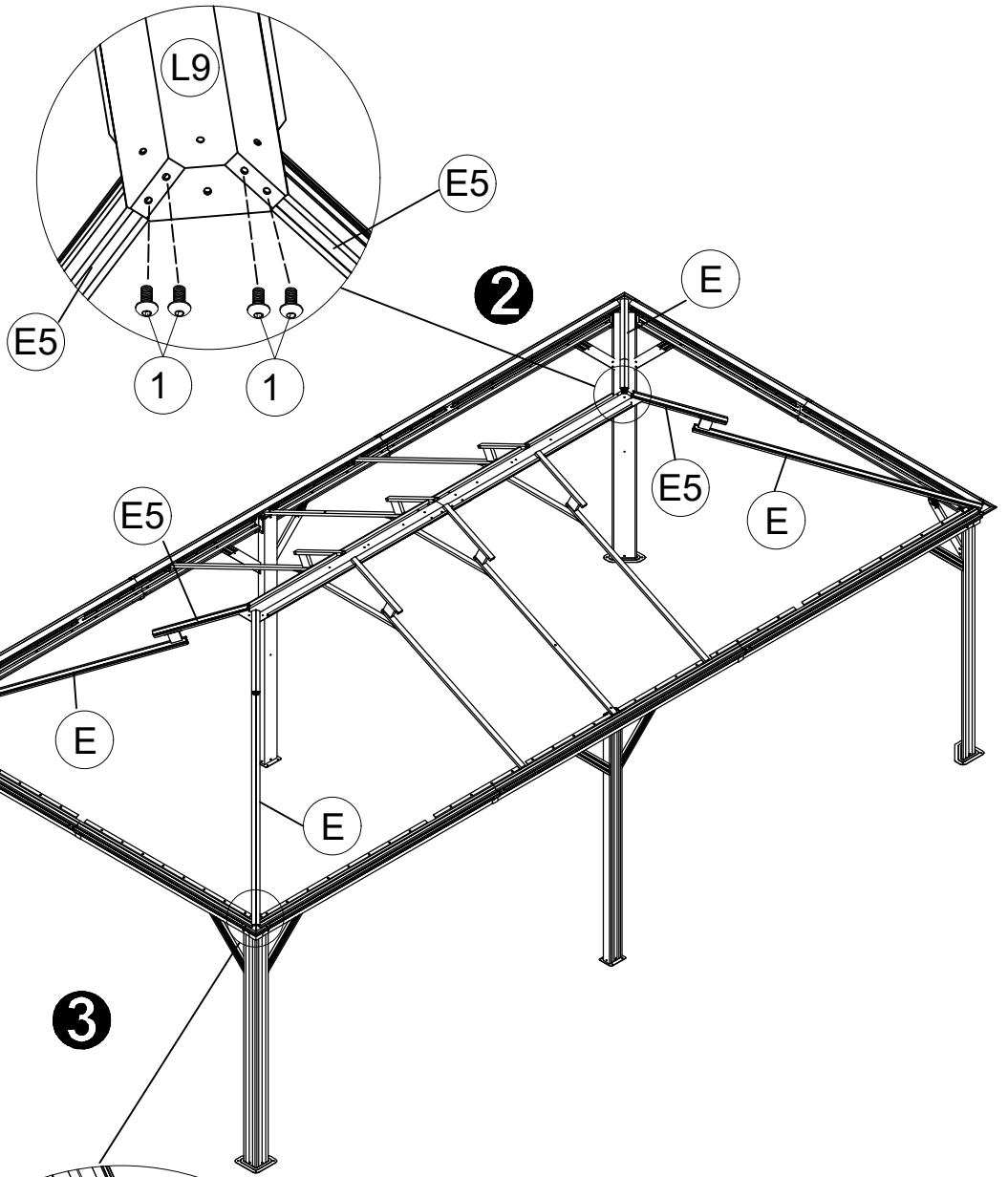


E5 4x

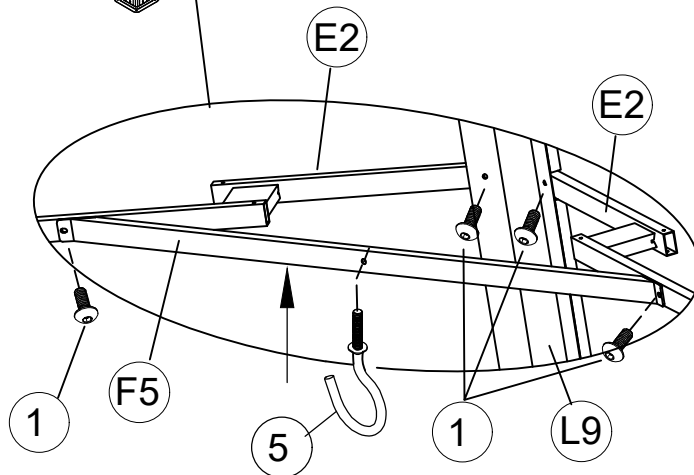
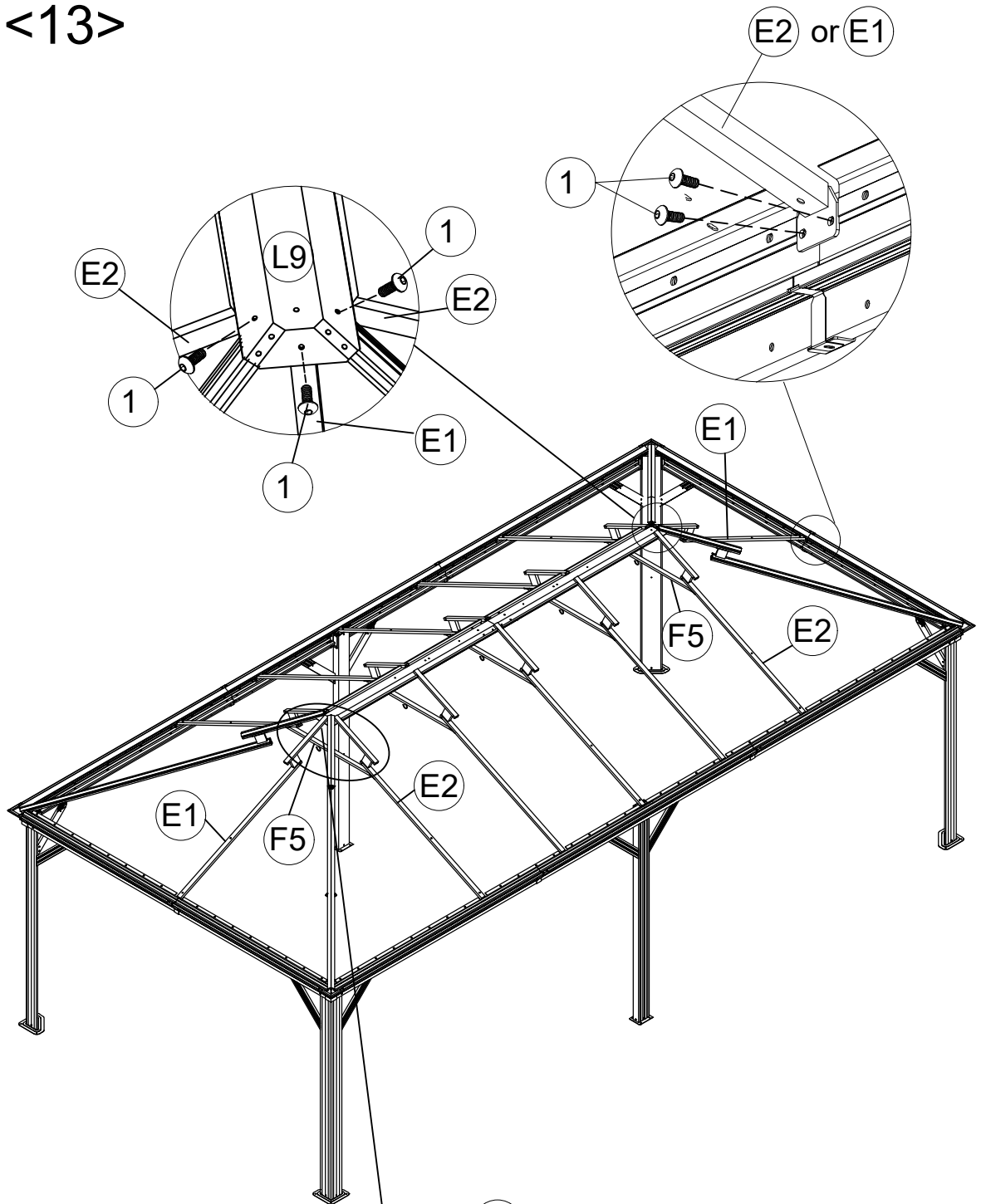
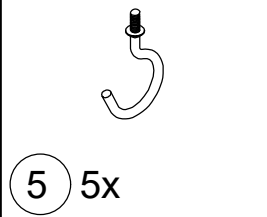
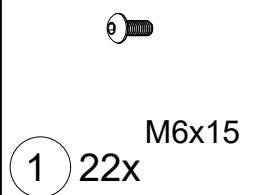
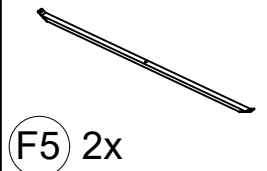
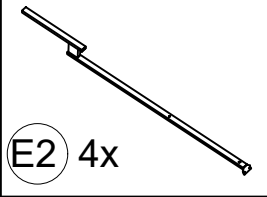
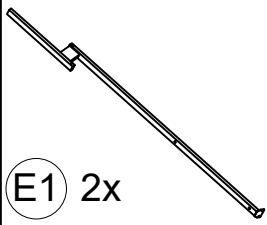


M6x15

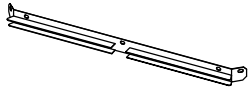
1 20x



<13>



<14>



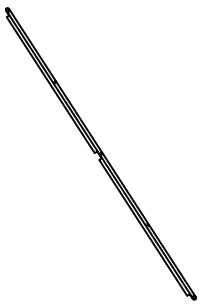
11 2x



17 2x



18 2x



112 2x

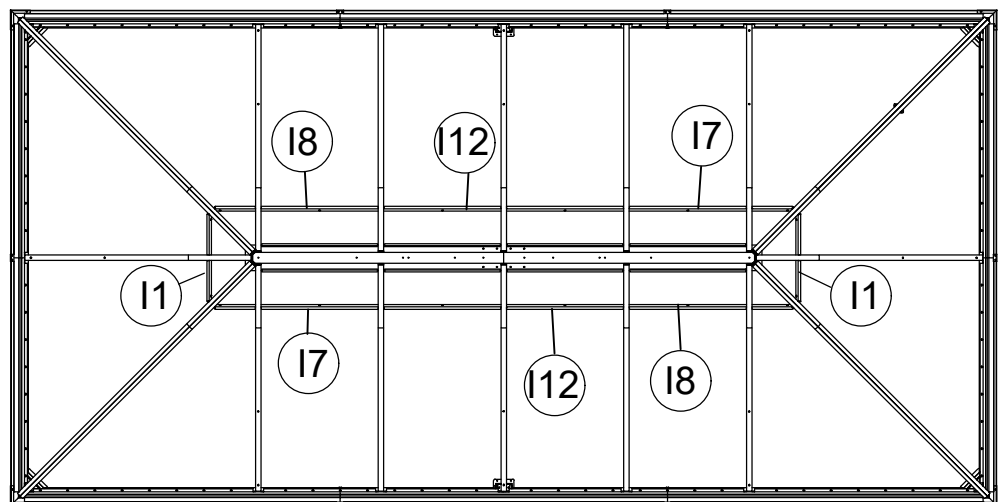
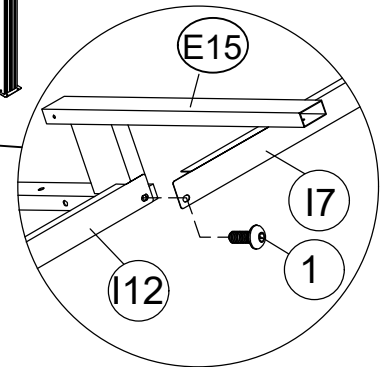
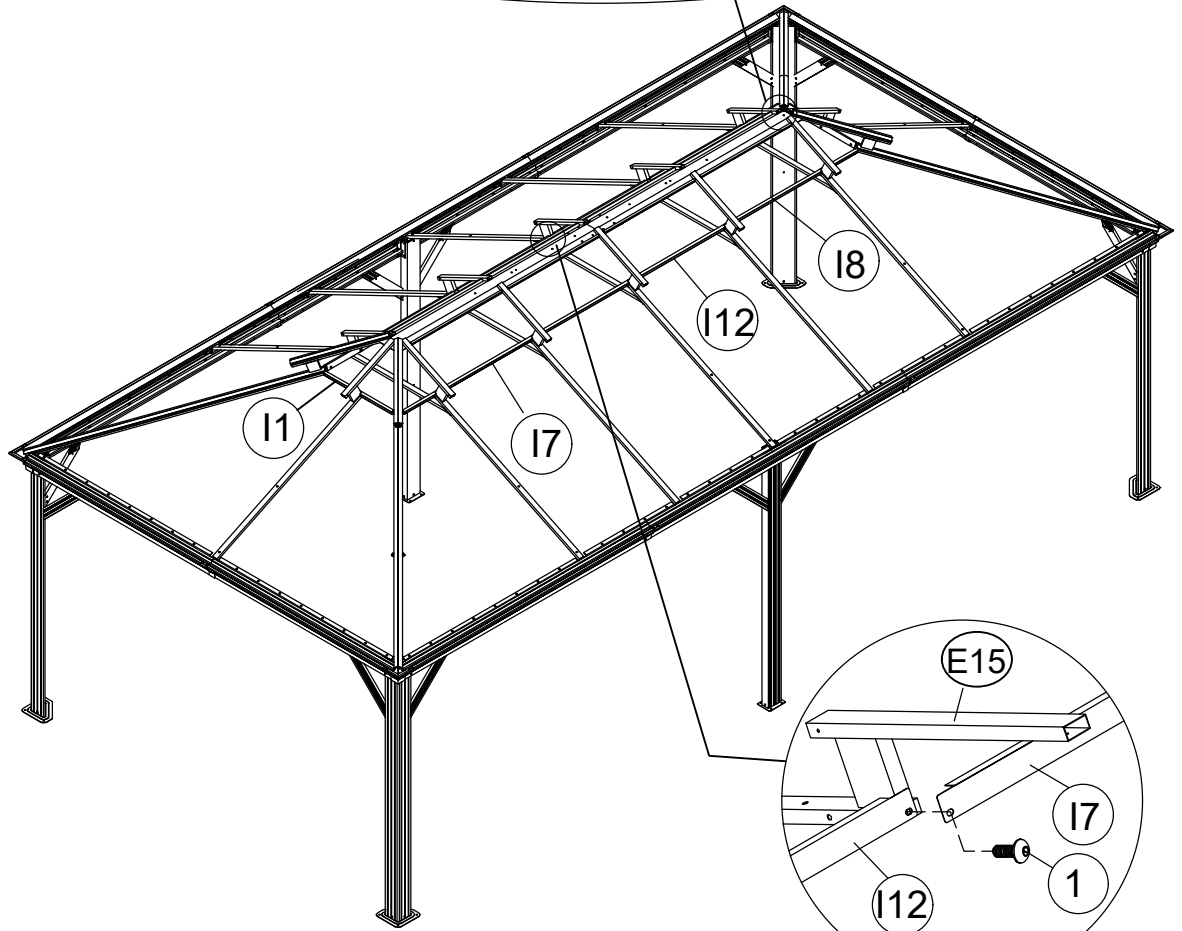
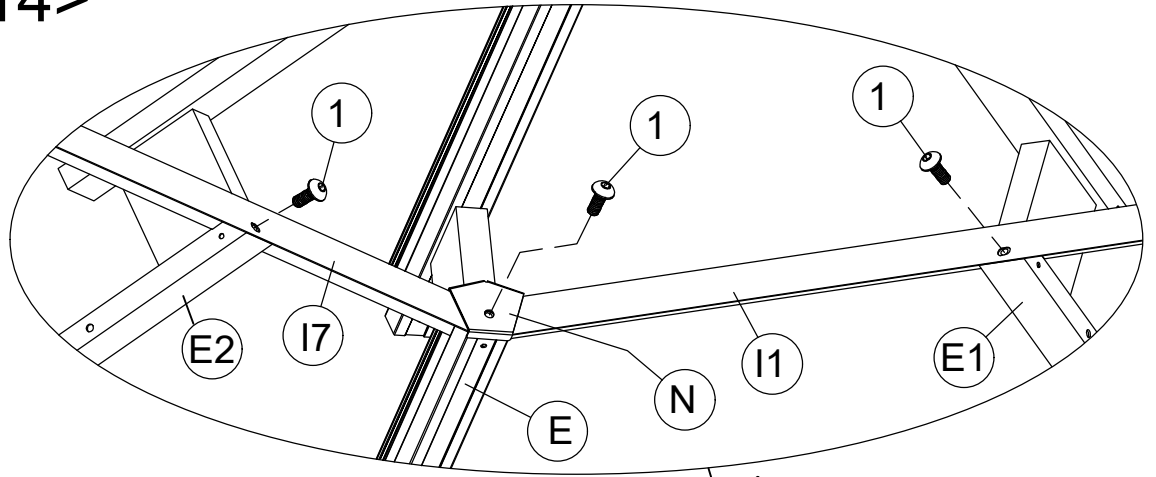


N 4x



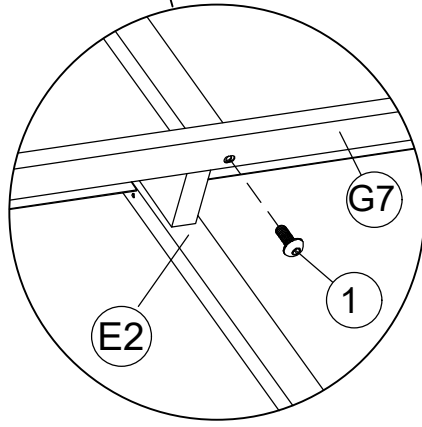
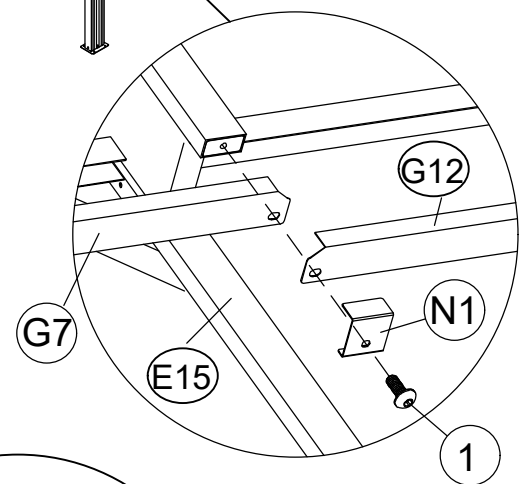
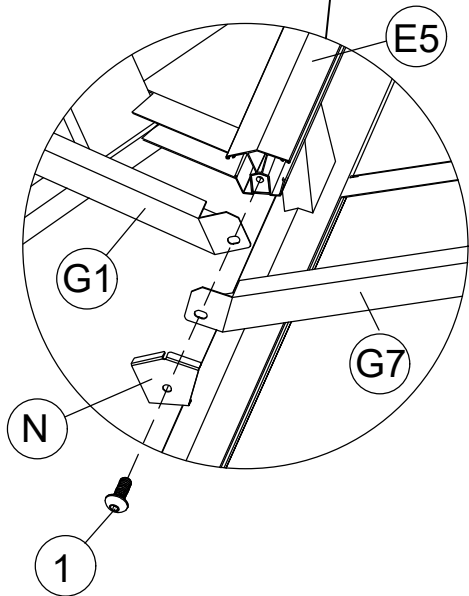
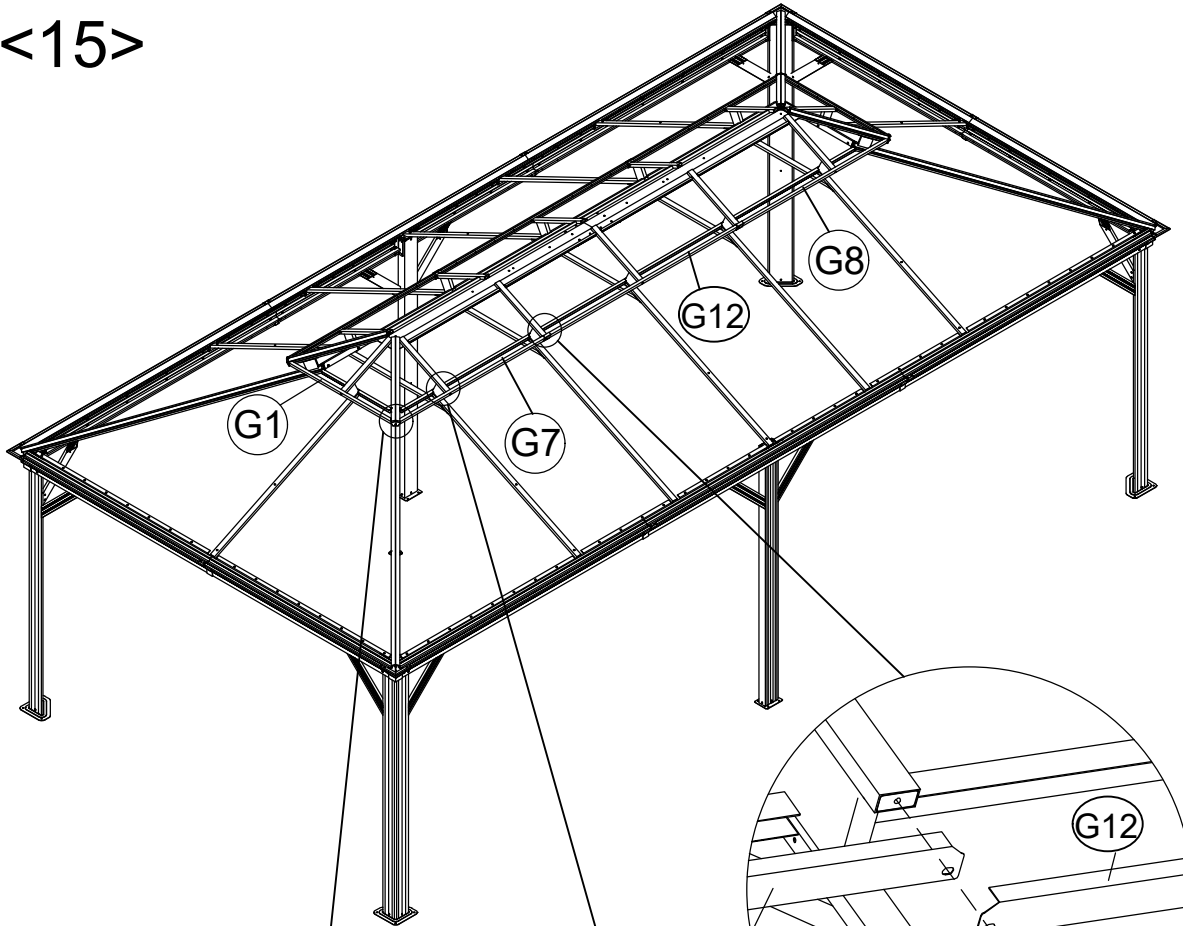
M6x15

1 16x

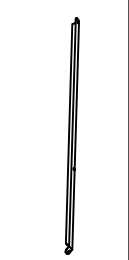


19

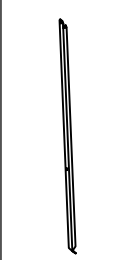
<15>



G1 2x



G7 2x



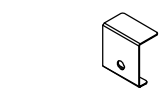
G8 2x



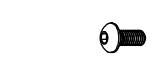
G12 2x



N 4x

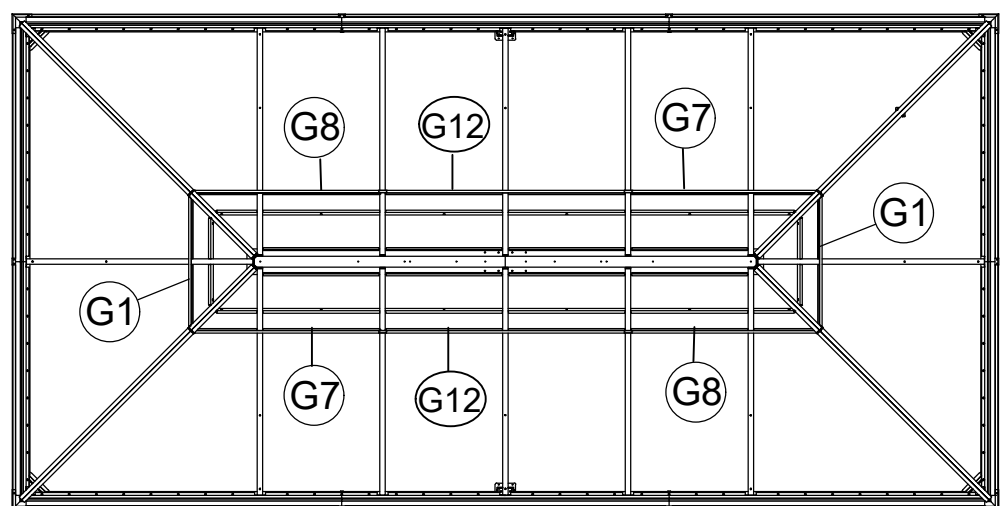


N1 4x



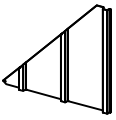
M6x15

1 16x

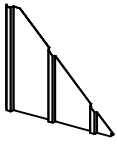


<16>

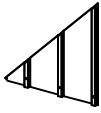
S1 2x



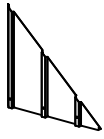
S2 2x



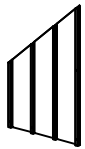
R1 2x



R2 2x



R3 2x



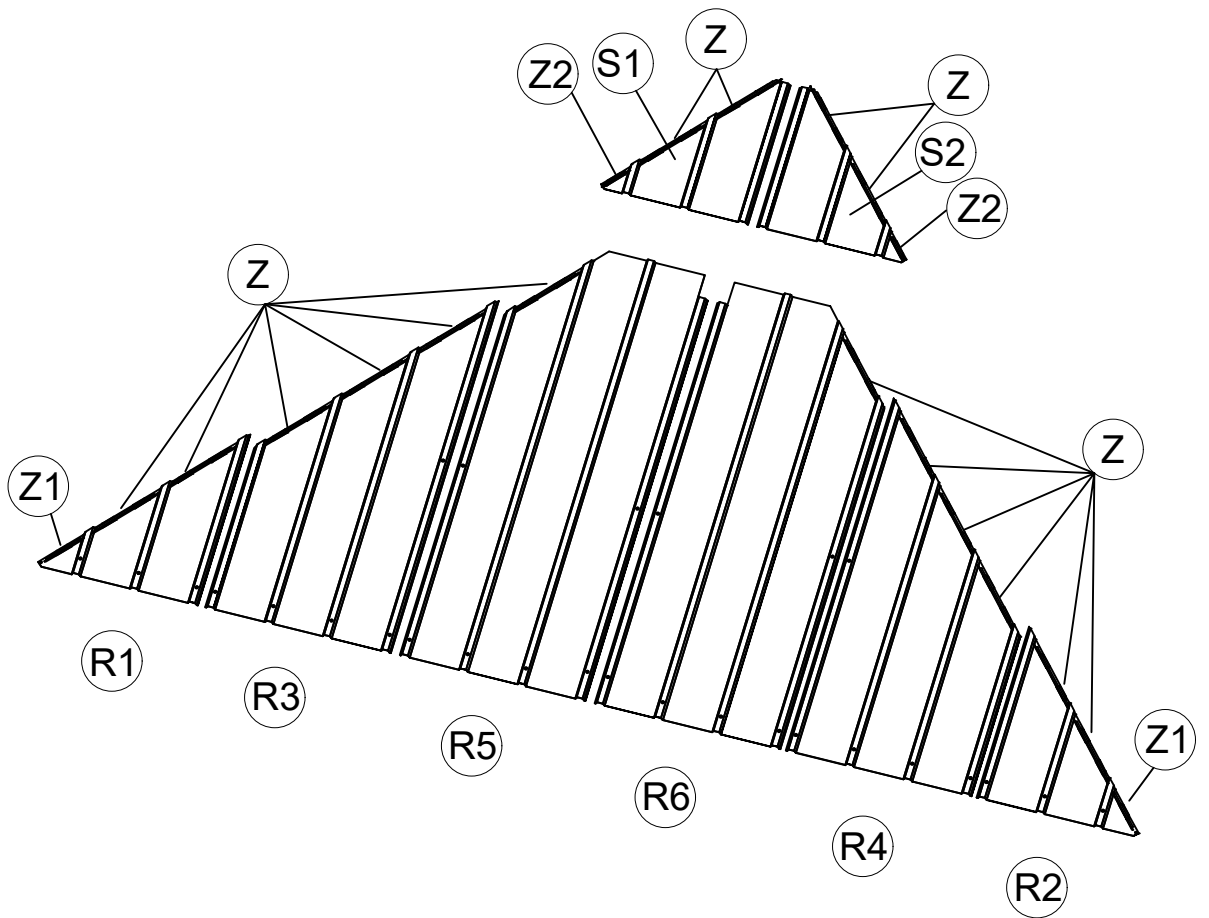
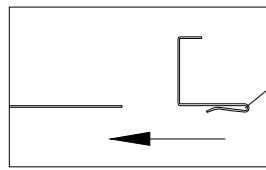
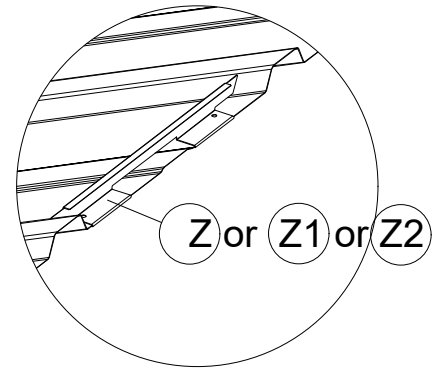
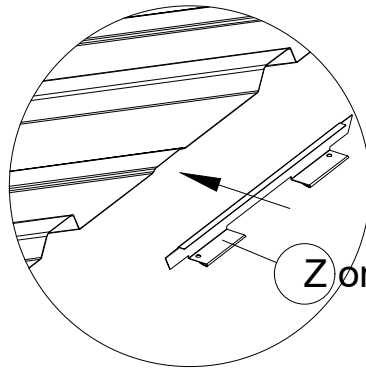
R4 2x



R5 2x

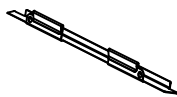


R6 2x

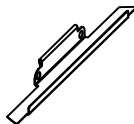


21

Z 32x



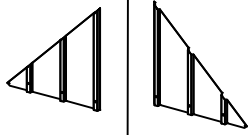
Z1 4x



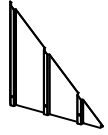
Z2 4x



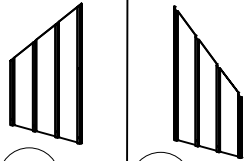
<17>



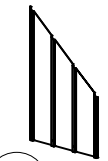
R1 2x



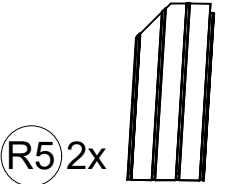
R2 2x



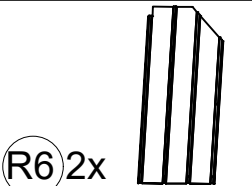
R3 2x



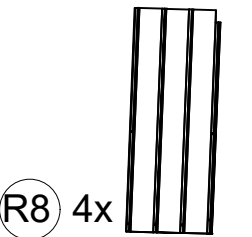
R4 2x



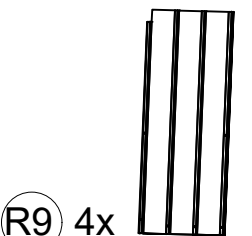
R5 2x



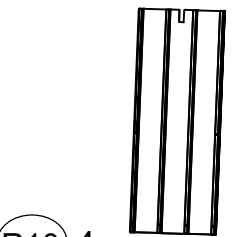
R6 2x



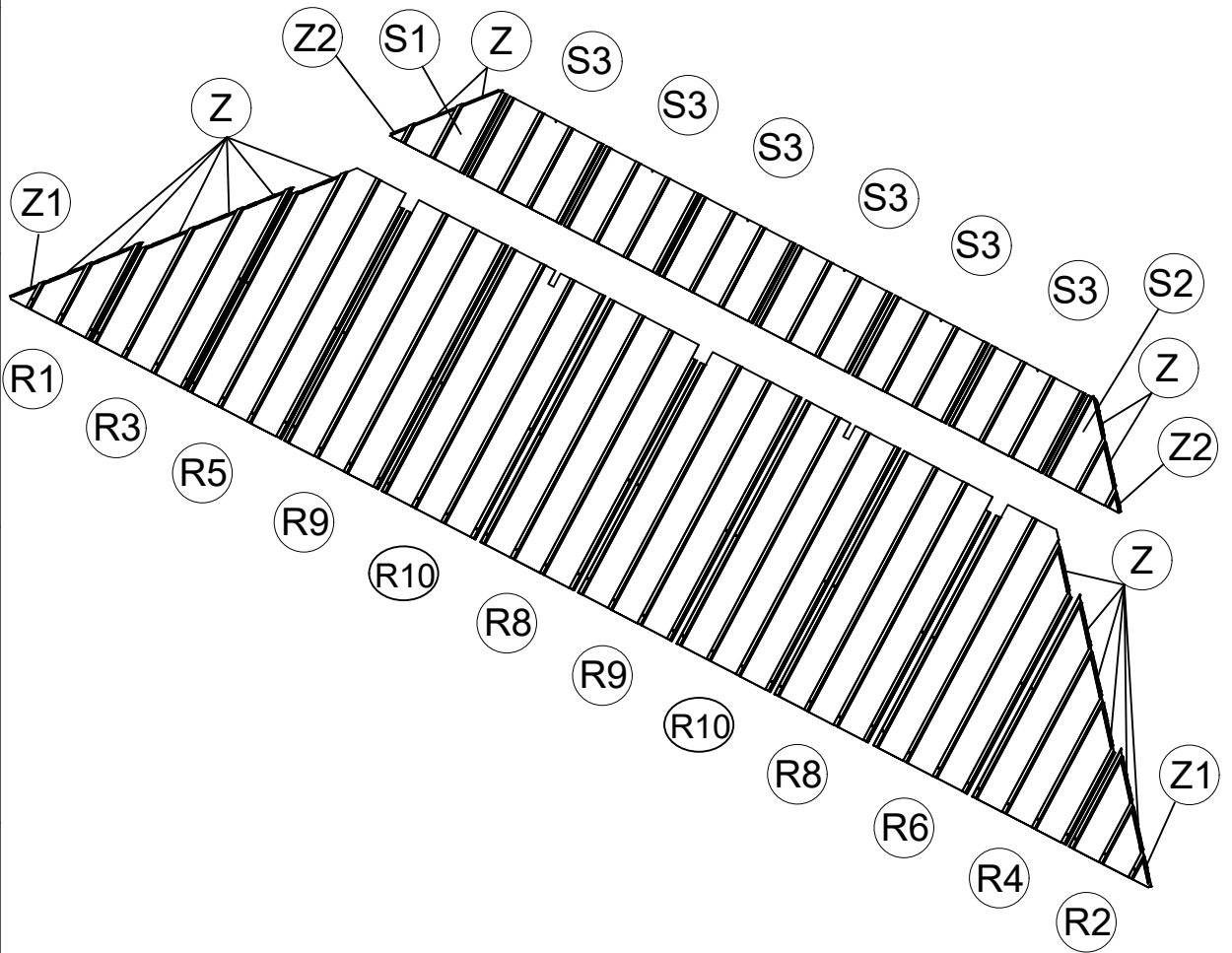
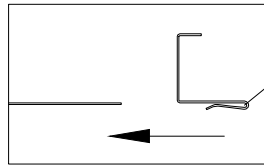
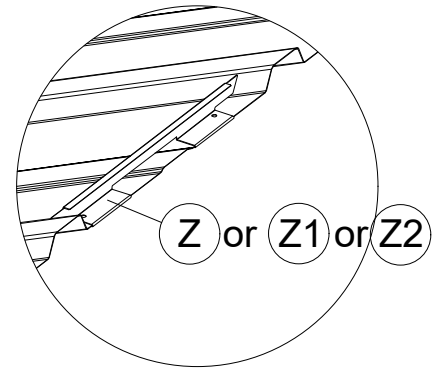
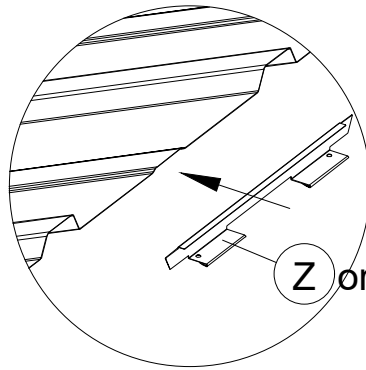
R8 4x



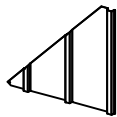
R9 4x



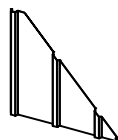
R10 4x



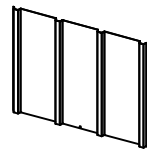
22



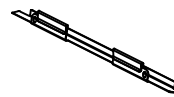
S1 2x



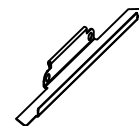
S2 2x



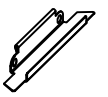
S3 12x



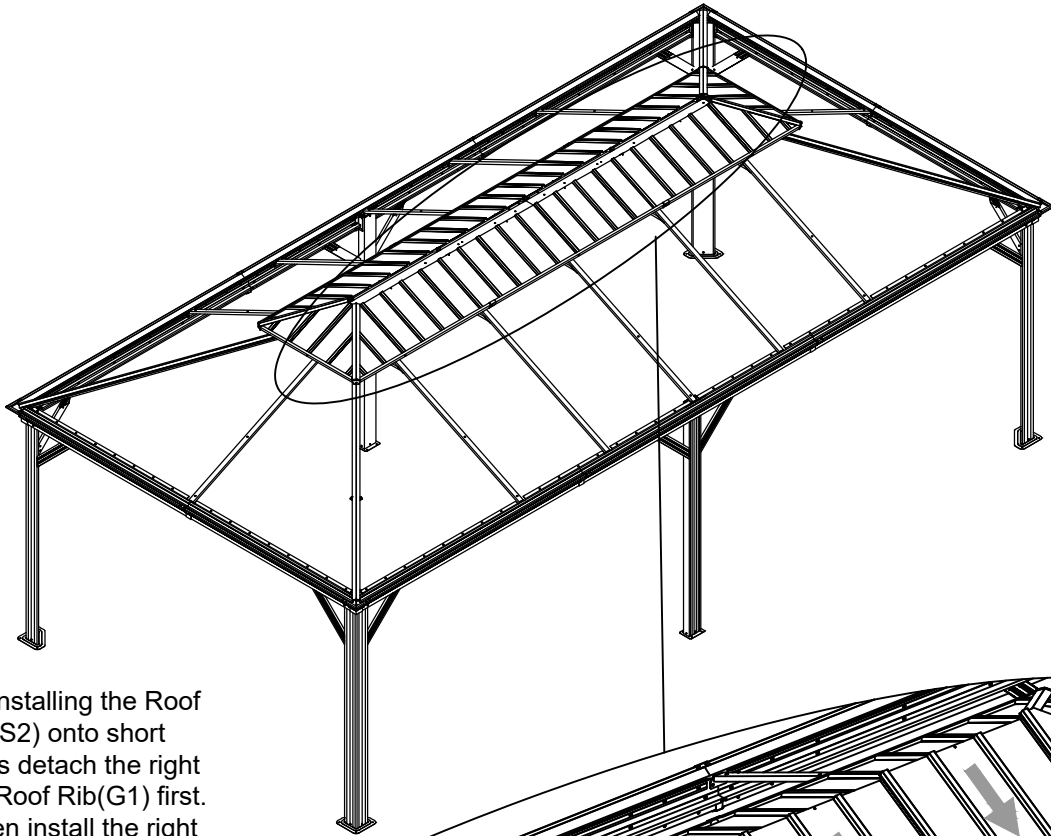
Z 32x



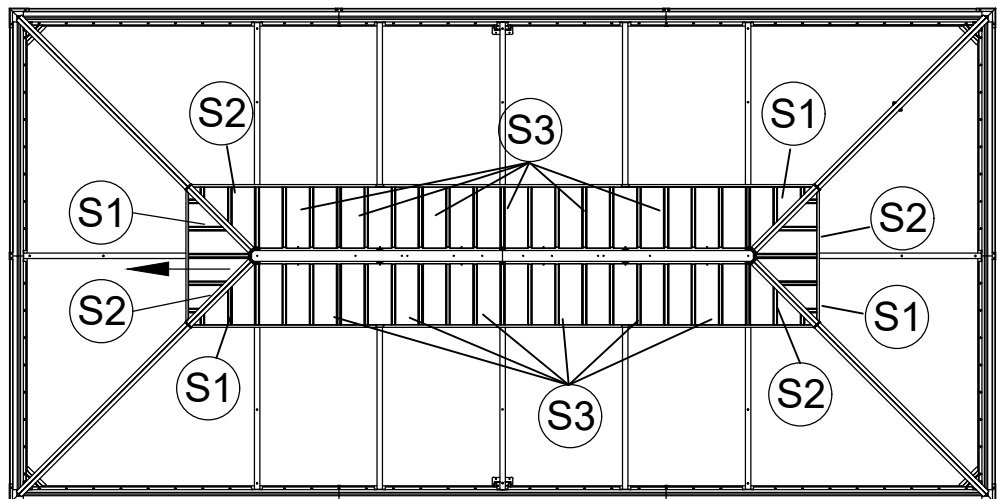
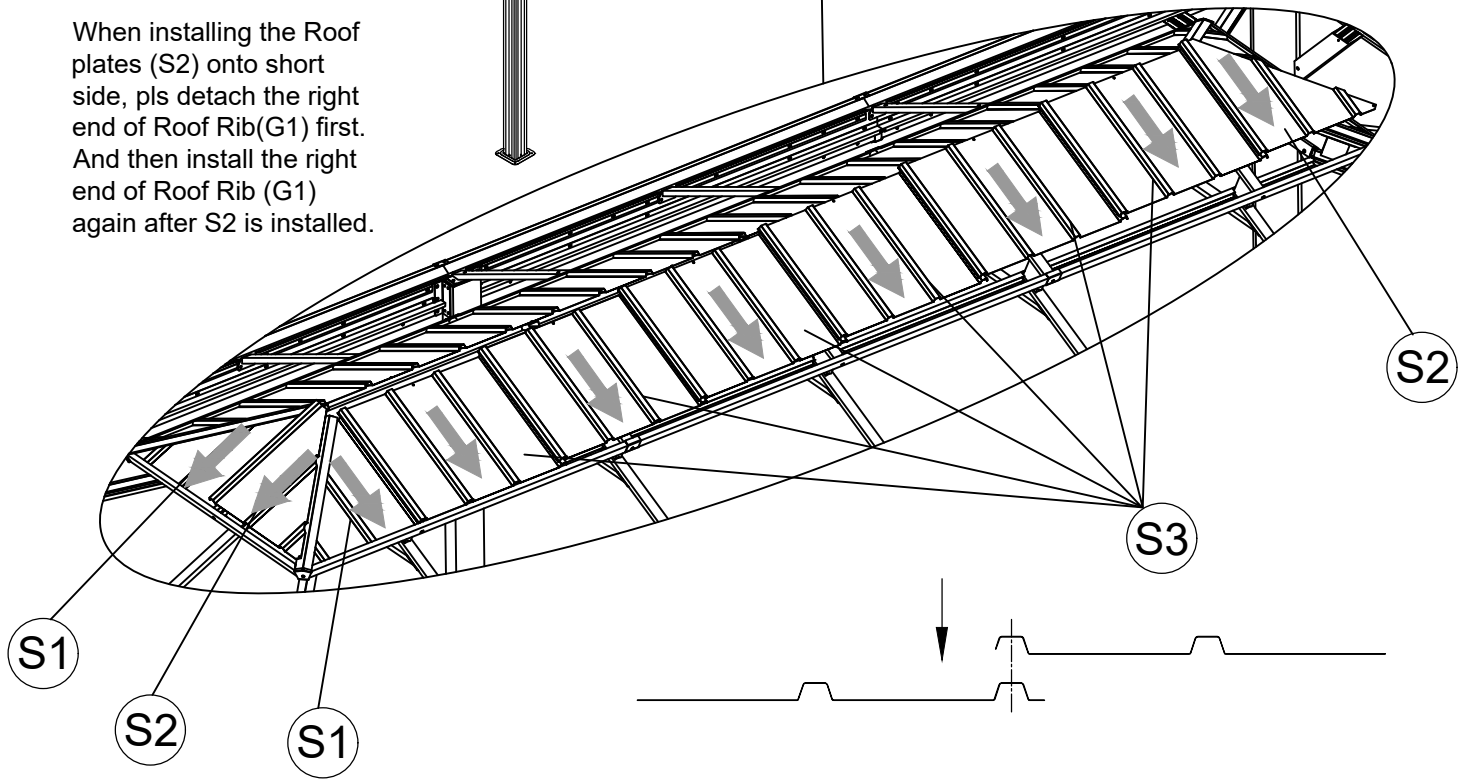
Z1 4x



Z2 4x



When installing the Roof plates (S2) onto short side, pls detach the right end of Roof Rib(G1) first. And then install the right end of Roof Rib (G1) again after S2 is installed.



<19>

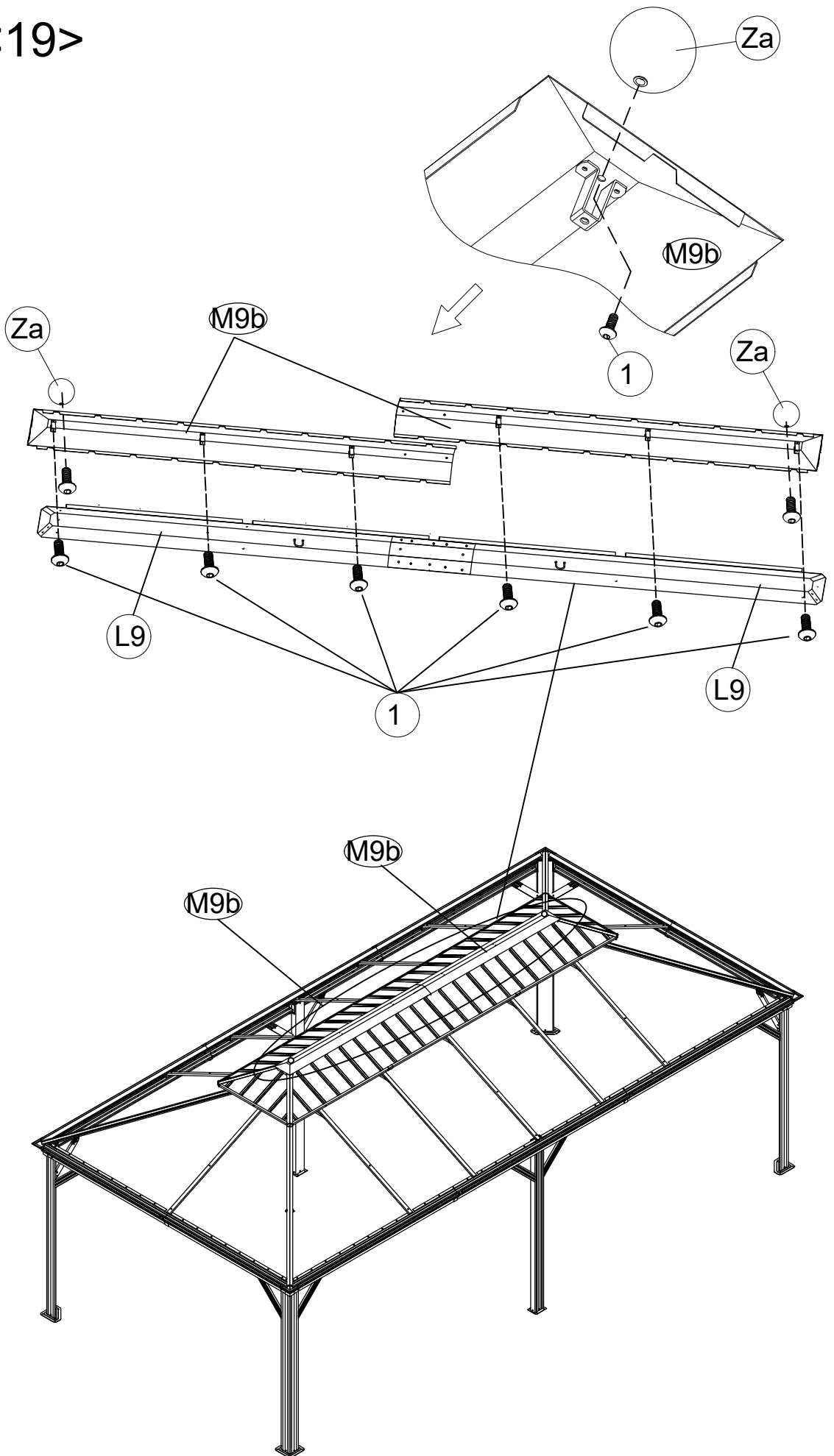
M9b 2x

1 8x

M6x15

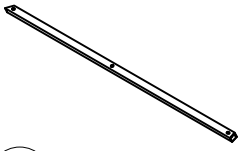
Za 2x

24

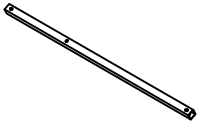




<20>



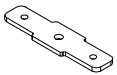
F1 8x



F4 8x



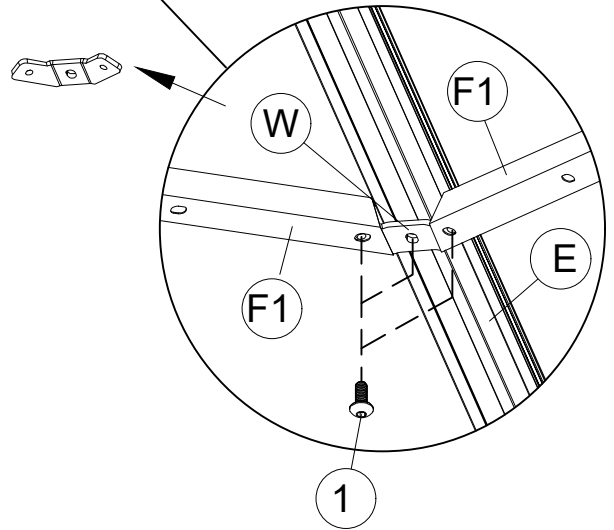
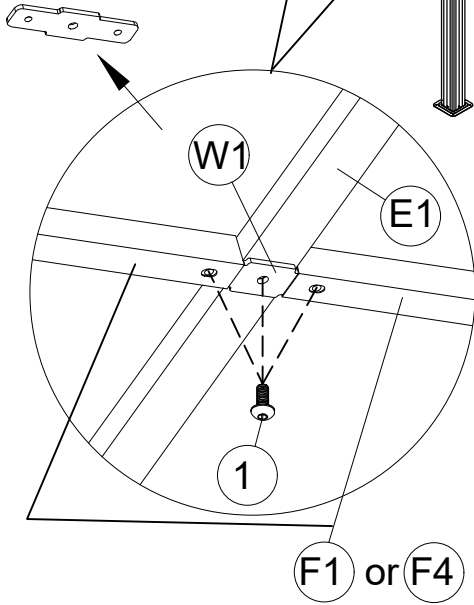
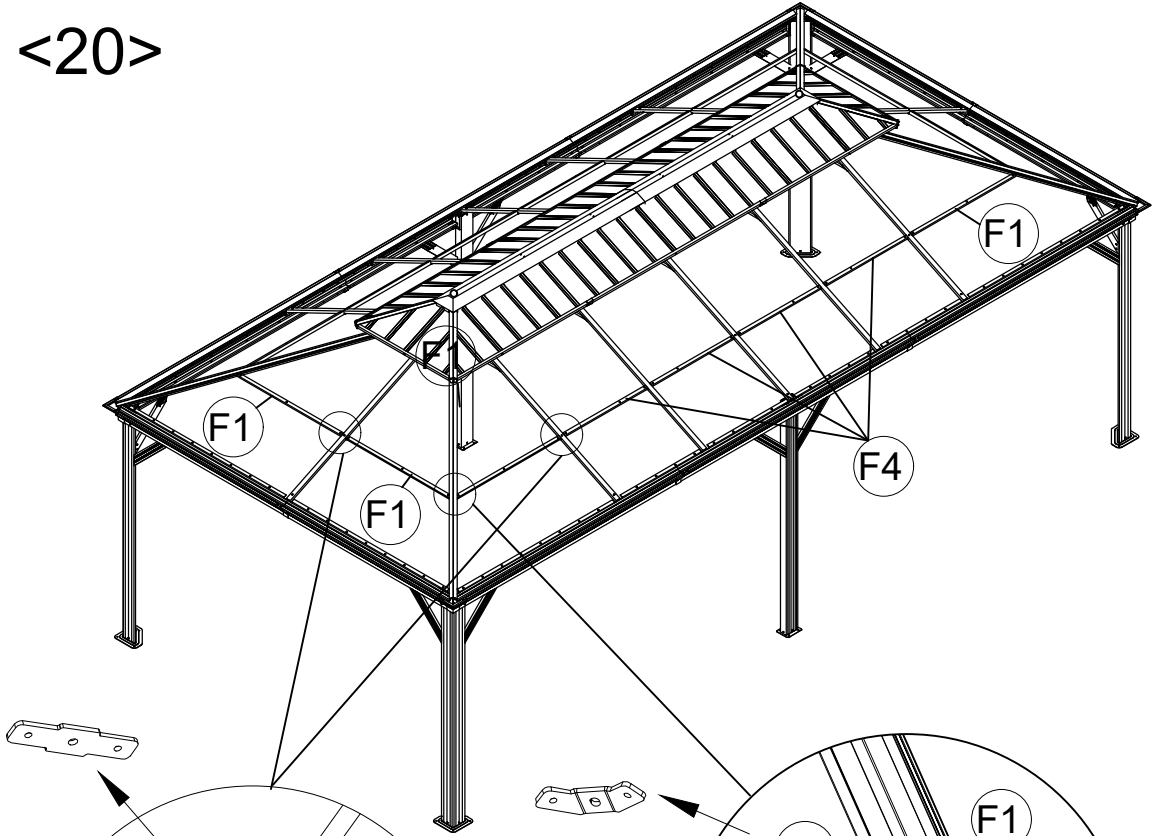
W 4x



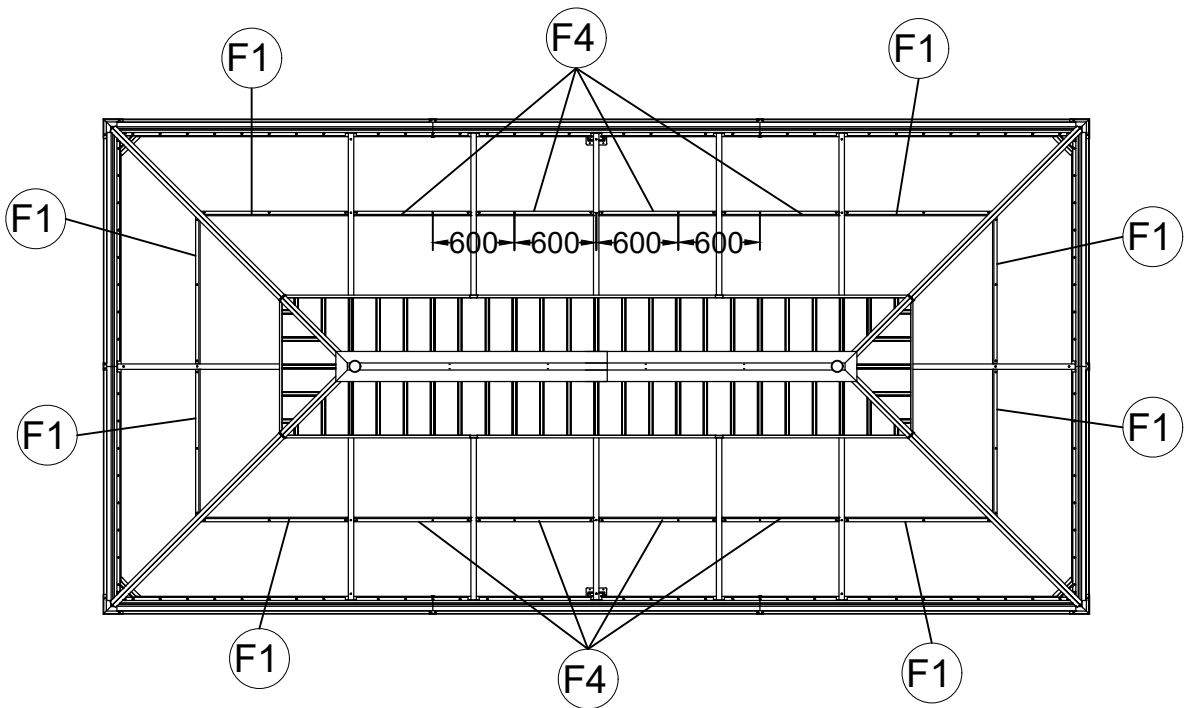
W1 12x



1 48x M6x15

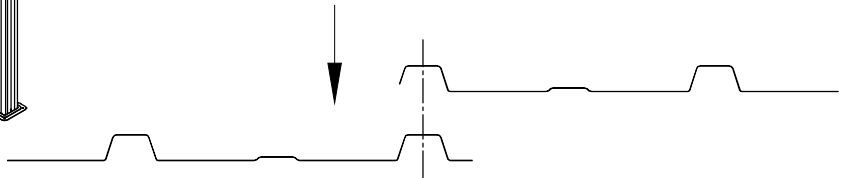
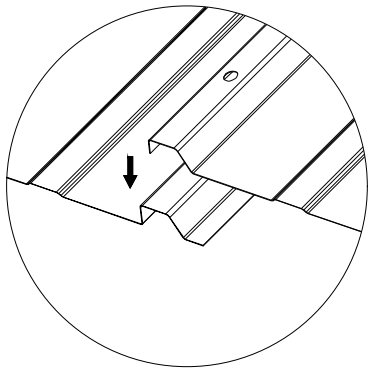
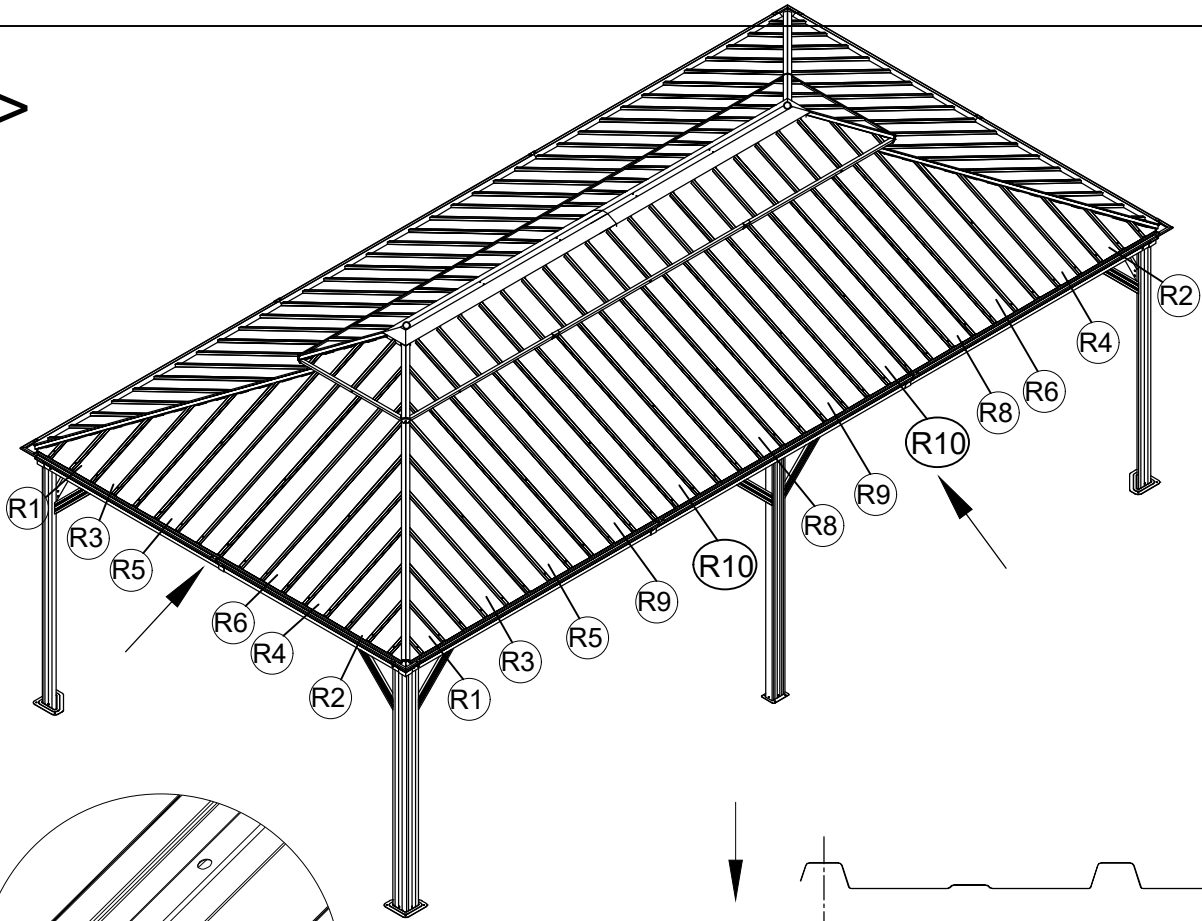


F1 or F4

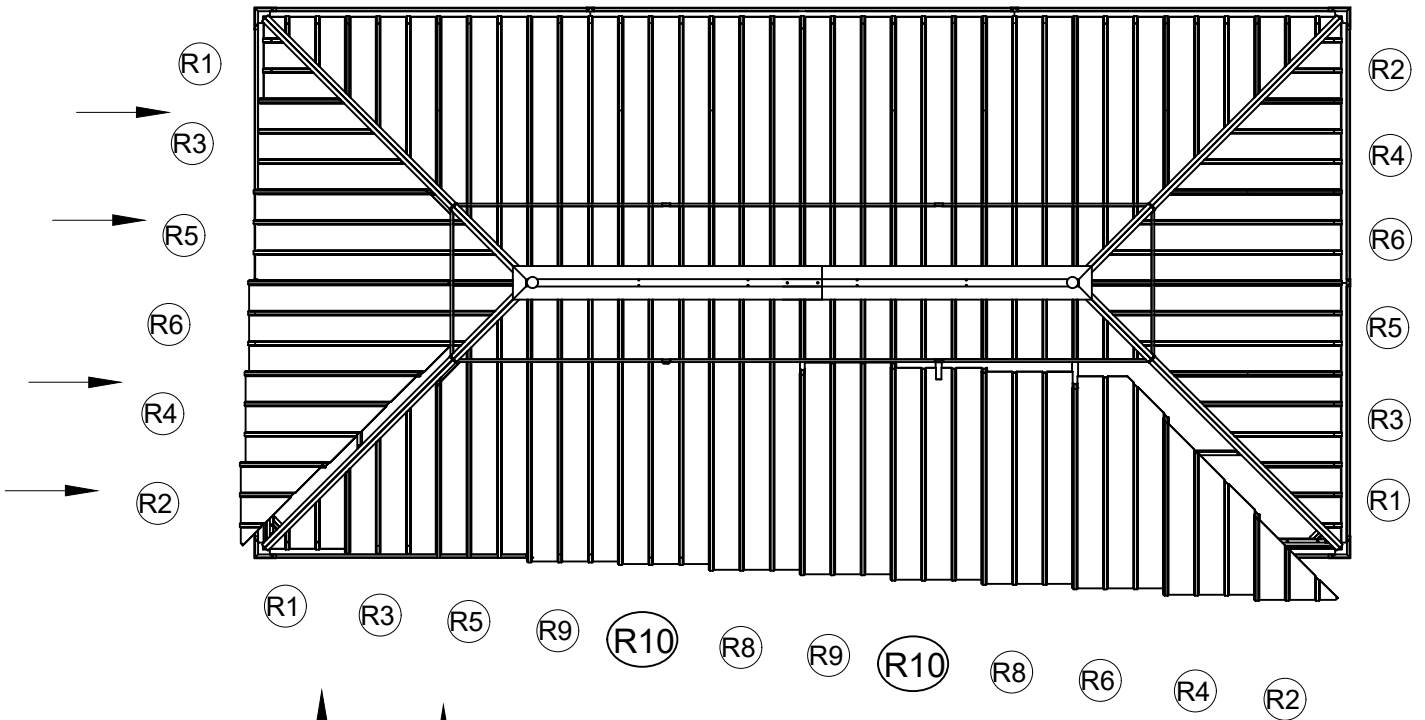


25

<21>

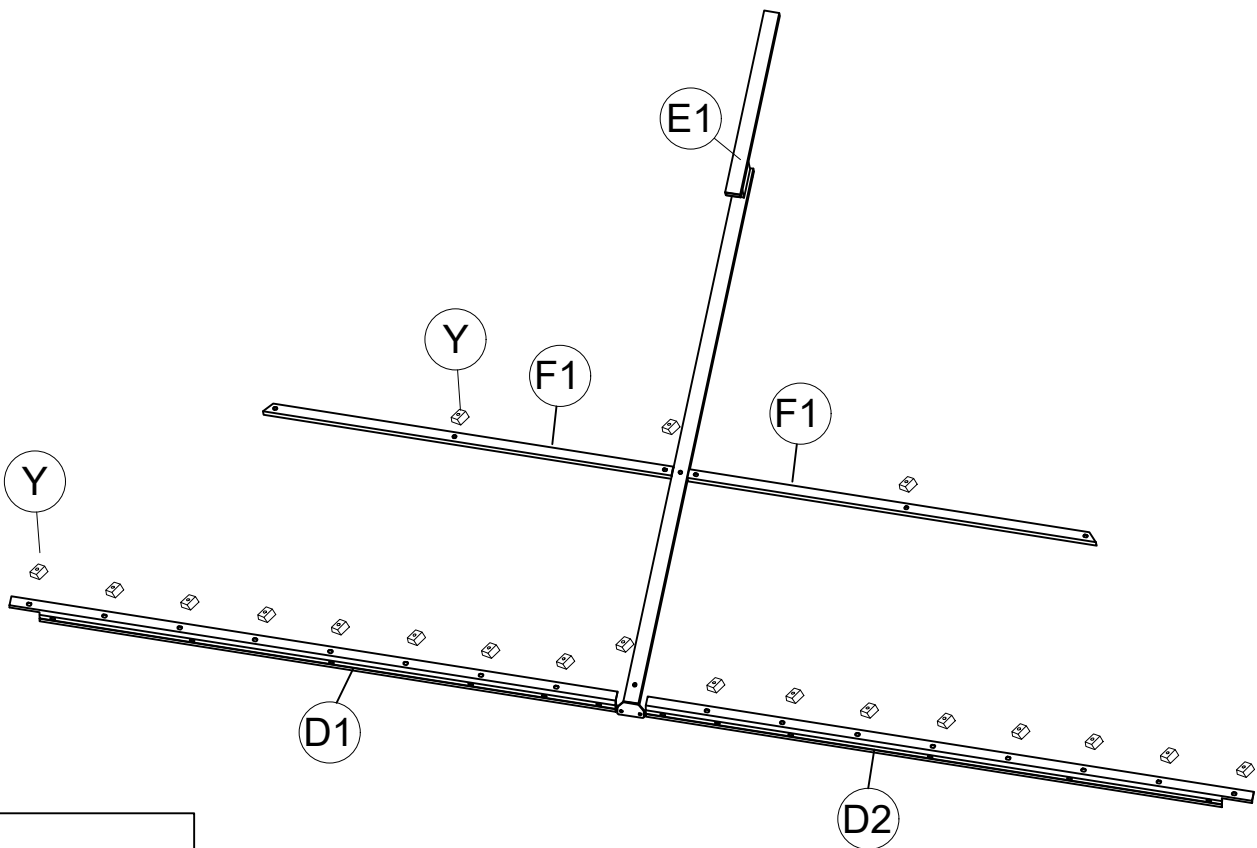
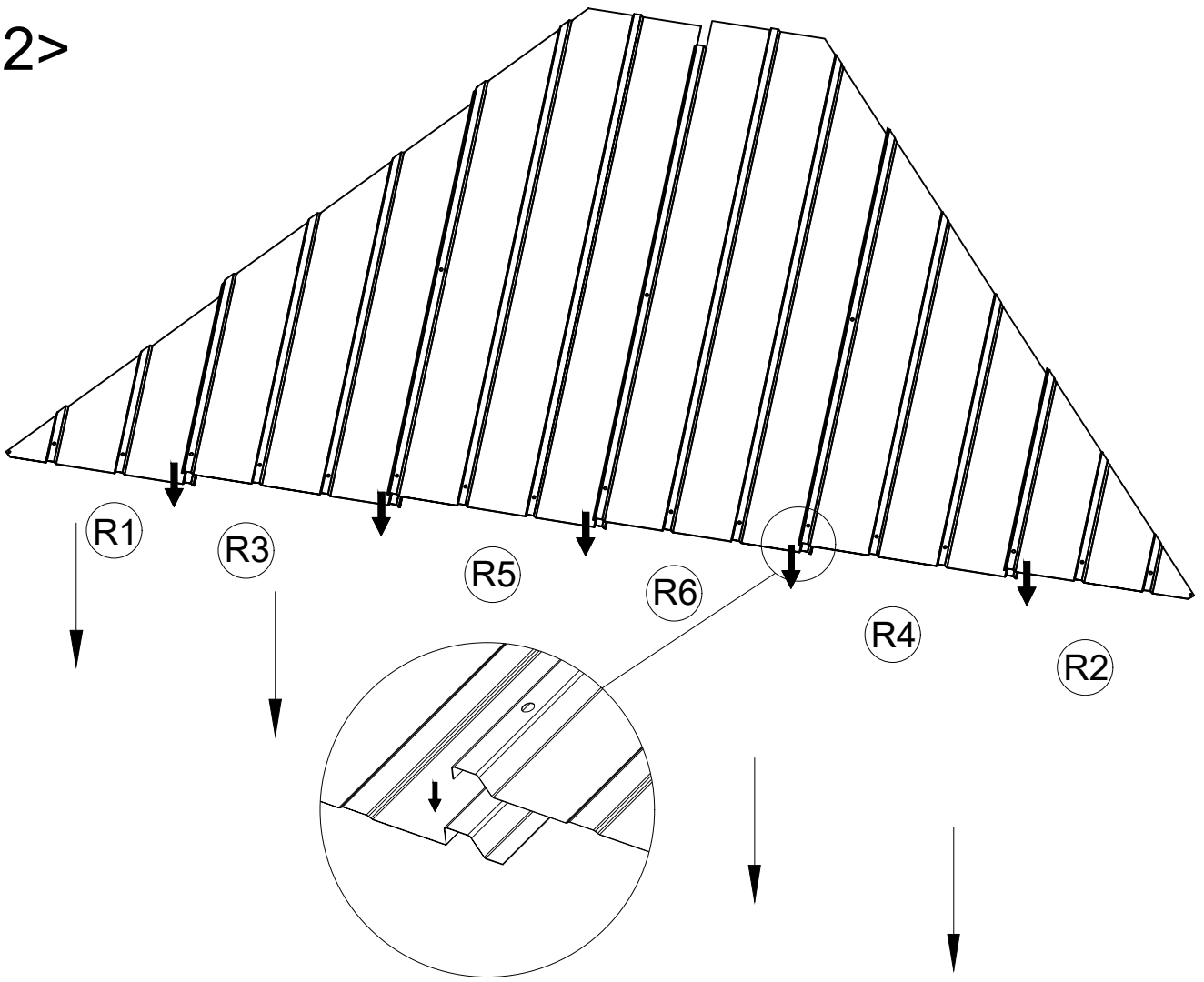


R2 R4 R6 R8 R10 R9 R8 R10 R9 R5 R3 R1



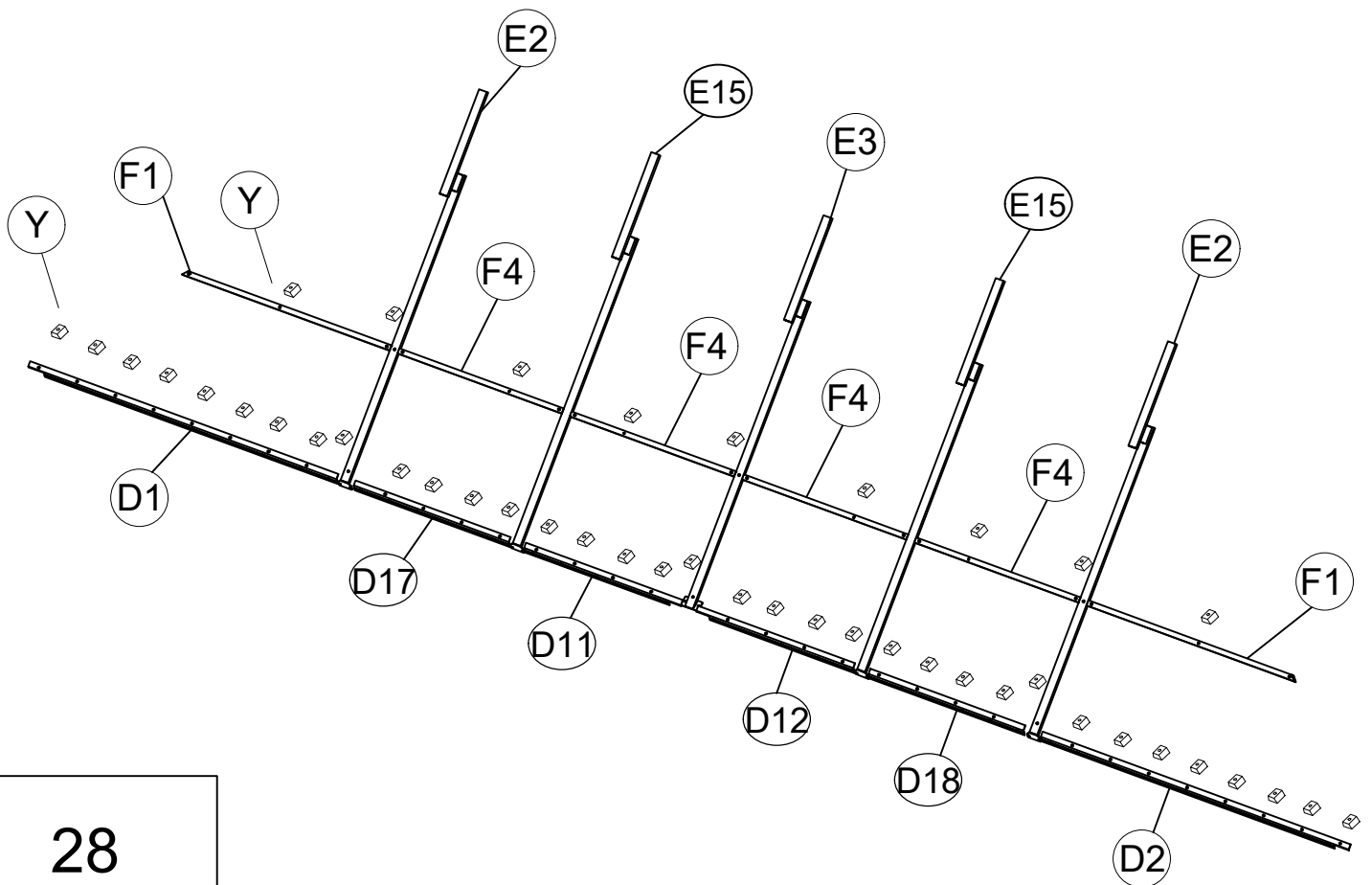
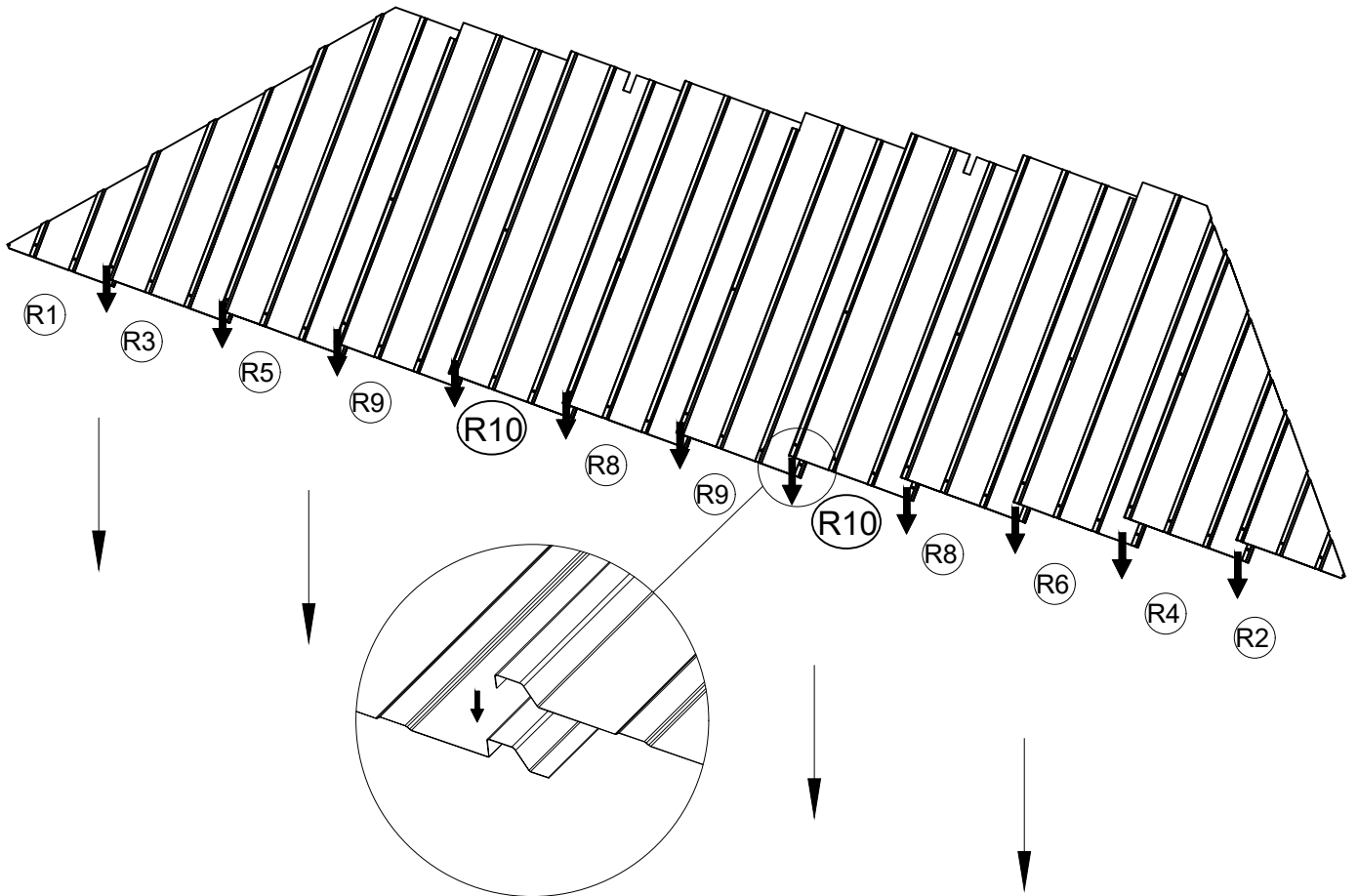
26

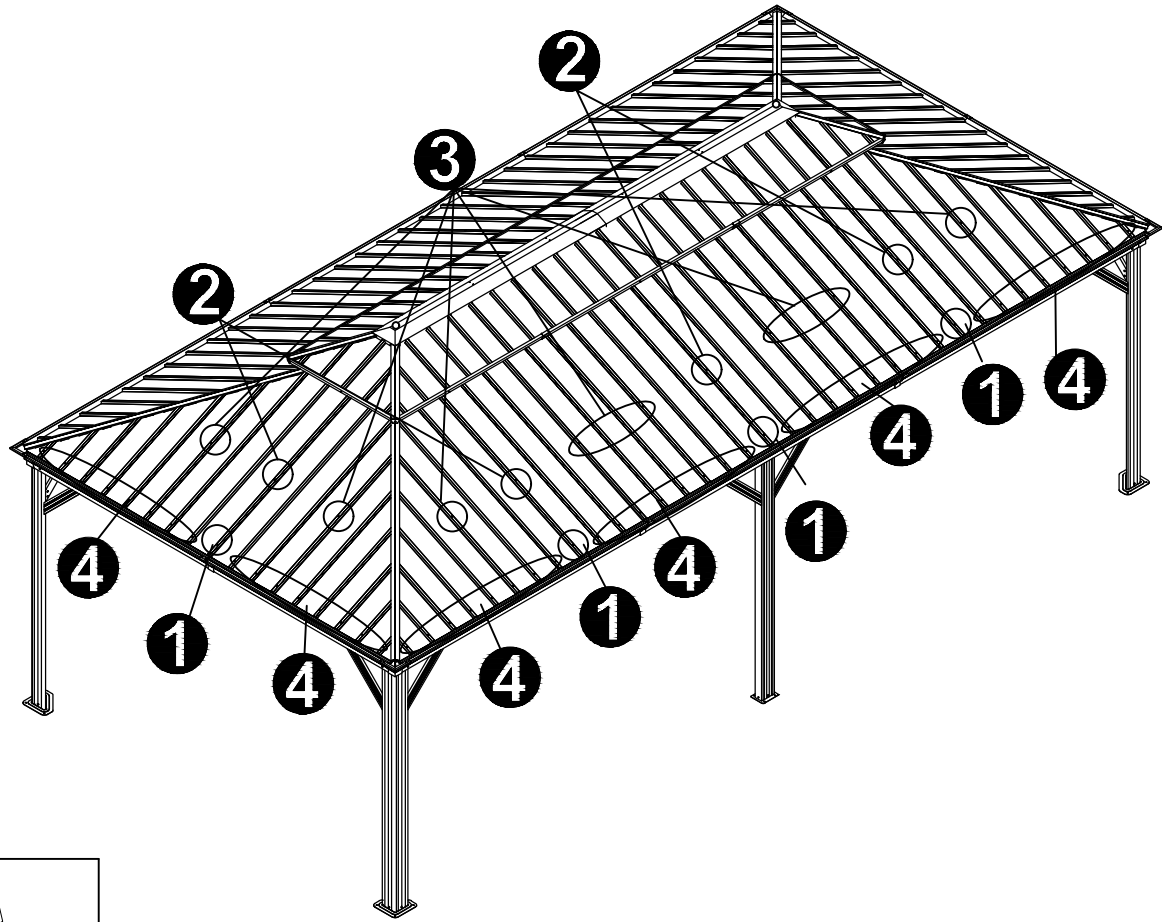
<22>



27

<23>





Y 128x



M6x23

2 96x



M6x25

3 8x



M6x42

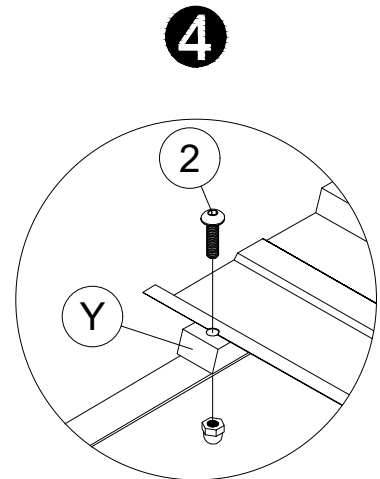
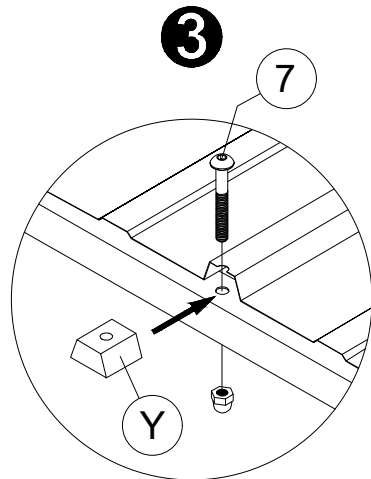
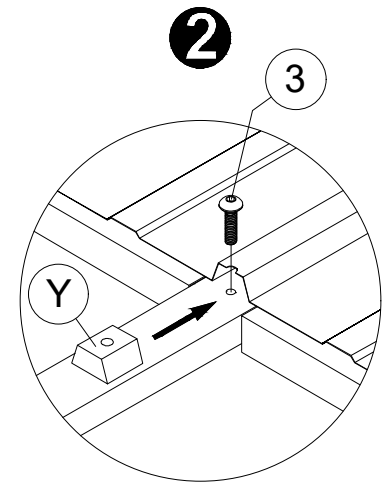
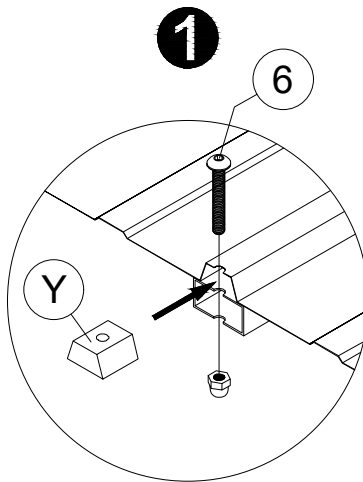
6 8x

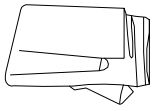


M6x47

7 16x

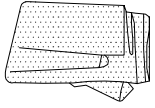
Note: When installing the roof top plates, if the roof plates are slightly uneven, pls press the screws from the top of the plates until the bottom screw thread is exposed by 3 to 4mm, and then screw on the nut.



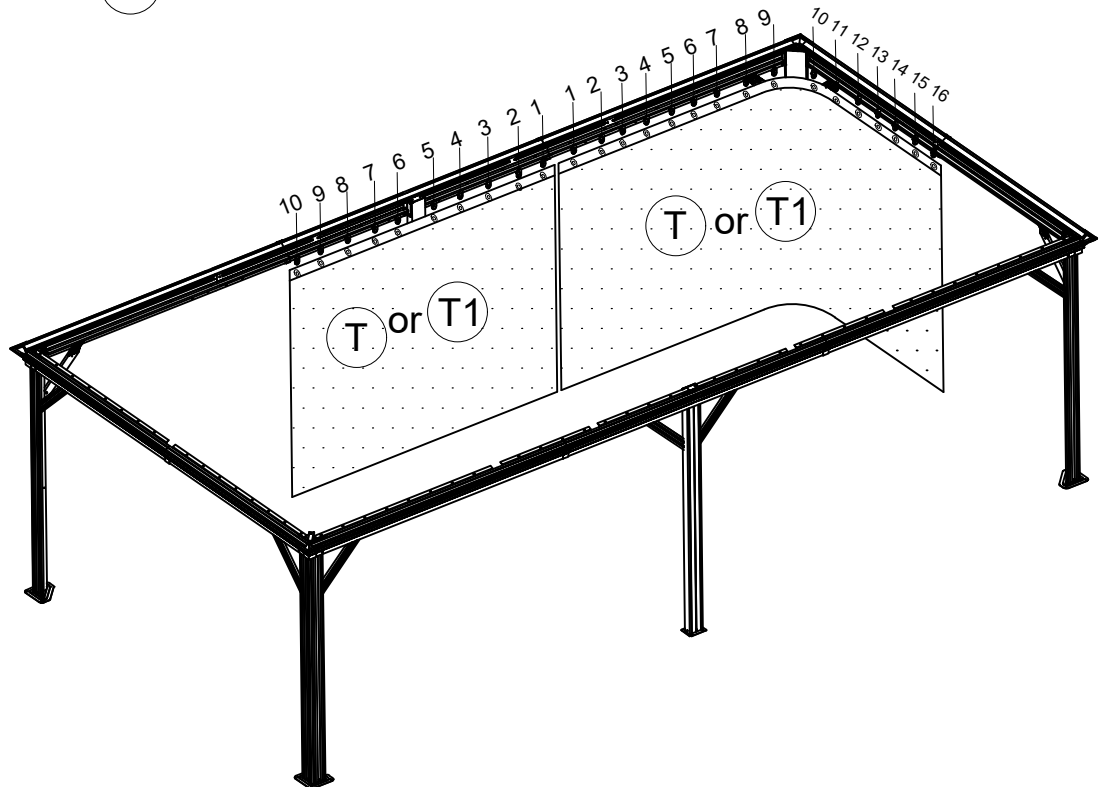
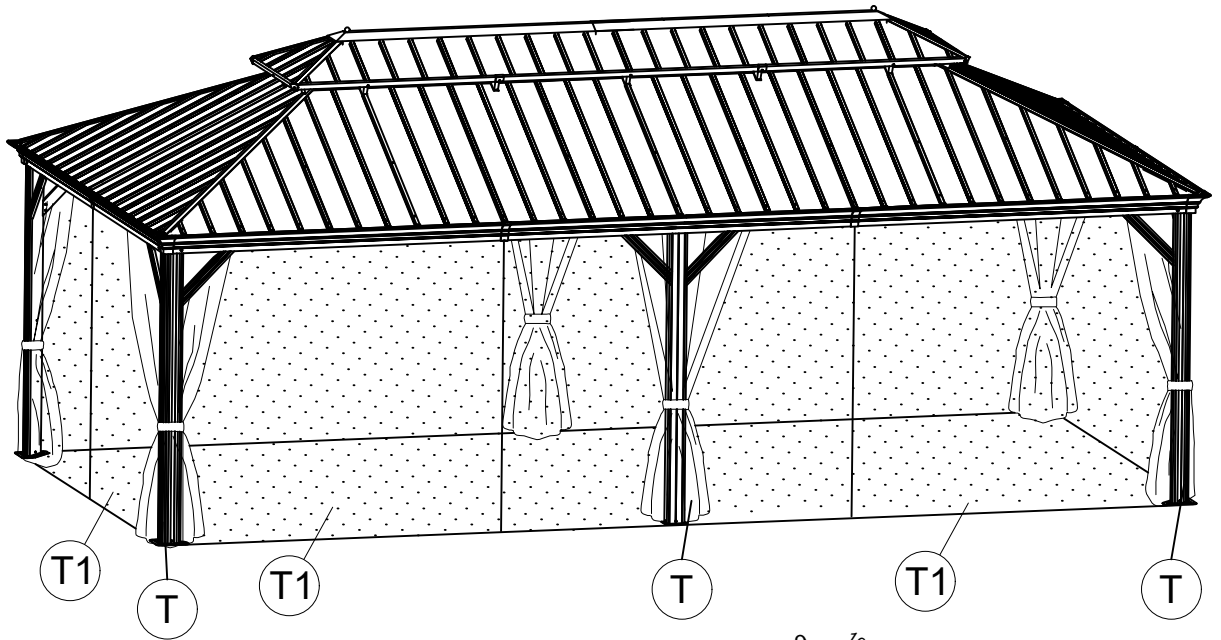
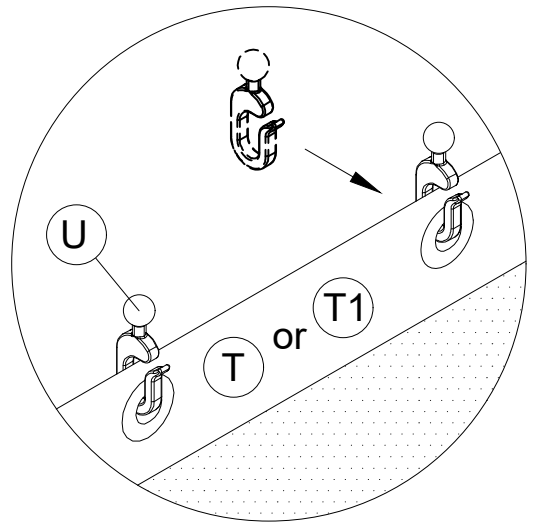
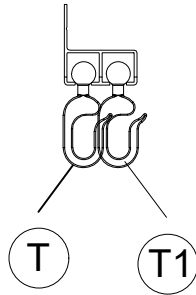


<25>

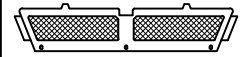
T 4x + 2x



T1 4x + 2x



<26>



V1 2x



V5a 2x



V5b 2x

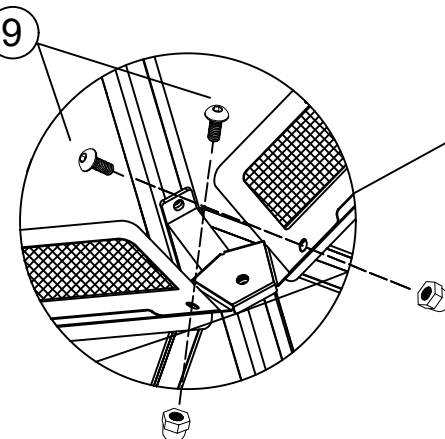
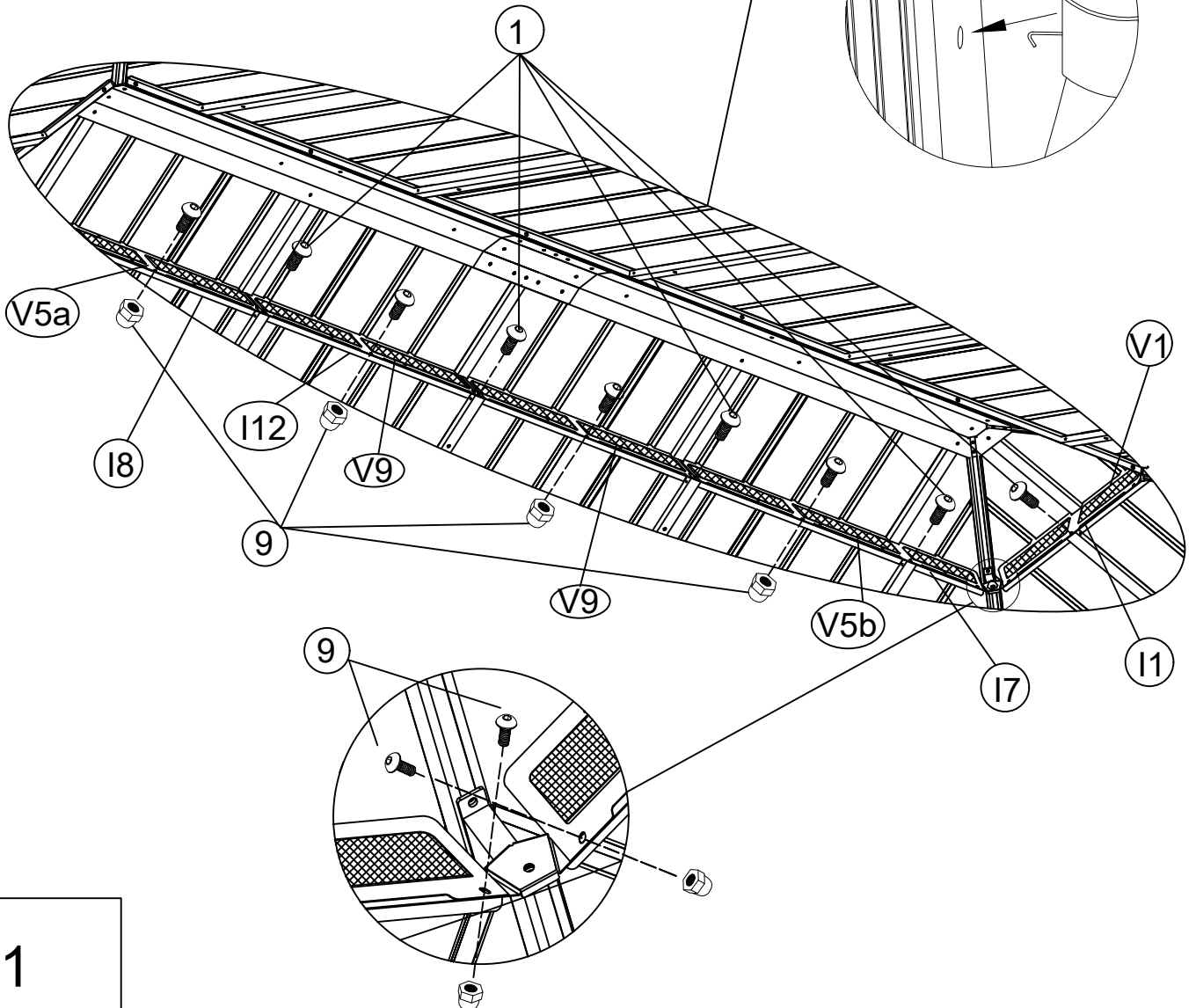
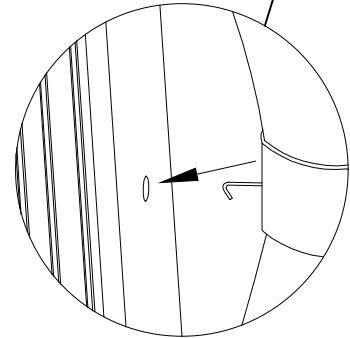
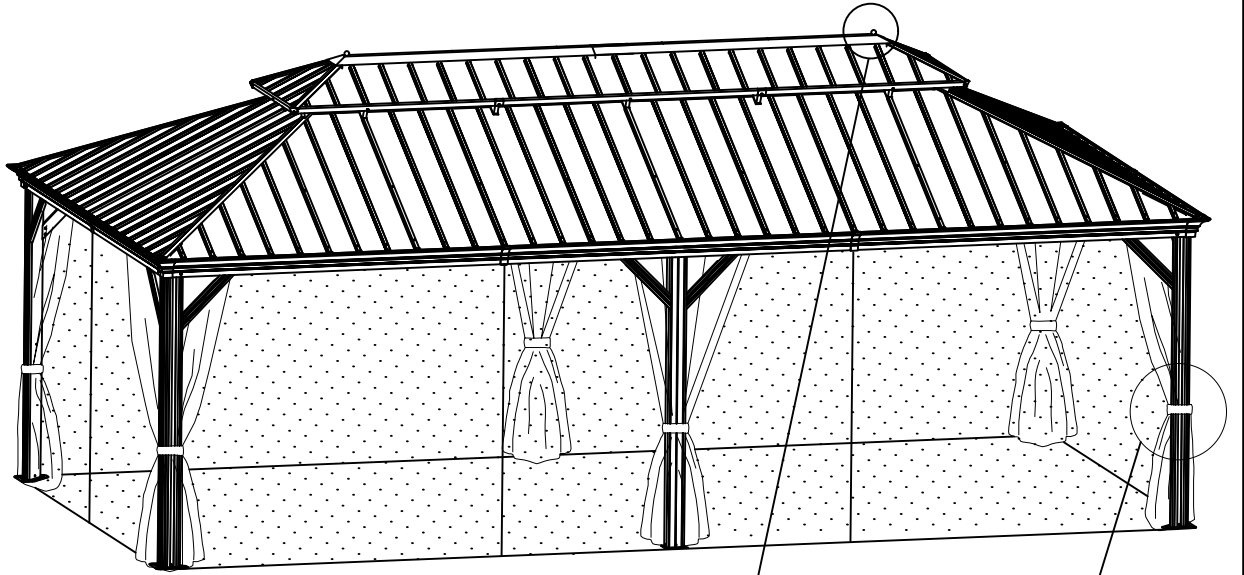


V9 4x



M6x10

9 16x



Carton-1/7		Carton-3/7		Carton-4/7		Carton-5/7	
Part	Qty	Part	Qty	Part	Qty	Part	Qty
A	4	E	4	V1	2	T	4 + 2
A3	2	E1	2	V5a	2	T1	4 + 2
F1	8	E2	4	V5b	2	1.2.3.4.5.6. 7.8.9.10.11. 12.13.14.15	1
F4	8	E3	2	V9	4		
F5	4	E15	4			Za	2
H3	2	E5	4				
H4	2	G12	2				
		I12	2	Carton-5/7		Carton-6/7	
		Y	128	Part	Qty	Part	Qty
		U	168	B1	2	S3	12
Carton-2/7		Z	64	B2	2	R5	4
Part	Qty	Z1	8	C7	2	R6	4
B18	2	Z2	8	C8	2	R10	4
B5	2	F5	1	G1	2		
B6	2			G7	2		
C5	2			G8	2		
C6	2	Carton-4/7		I7	2	Carton-6/7	
C1	2	Part	Qty	I8	2	Part	Qty
C2	2	L9	2	K	4	S1	4
H	4	M9b	2	K1	6	S2	4
H1	4	L8b	1	J1	2	R1	4
J	4	D1	2	N	8	R2	4
I1	2	D2	2	N1	4	R3	4
P	6	D3	2	V	6	R4	4
		D4	2	W	4	R8	4
		D11	2	W1	12	R9	4
		D12	2	W3	8		
		D17	2	W4	12		
		D18	2	W5	4		