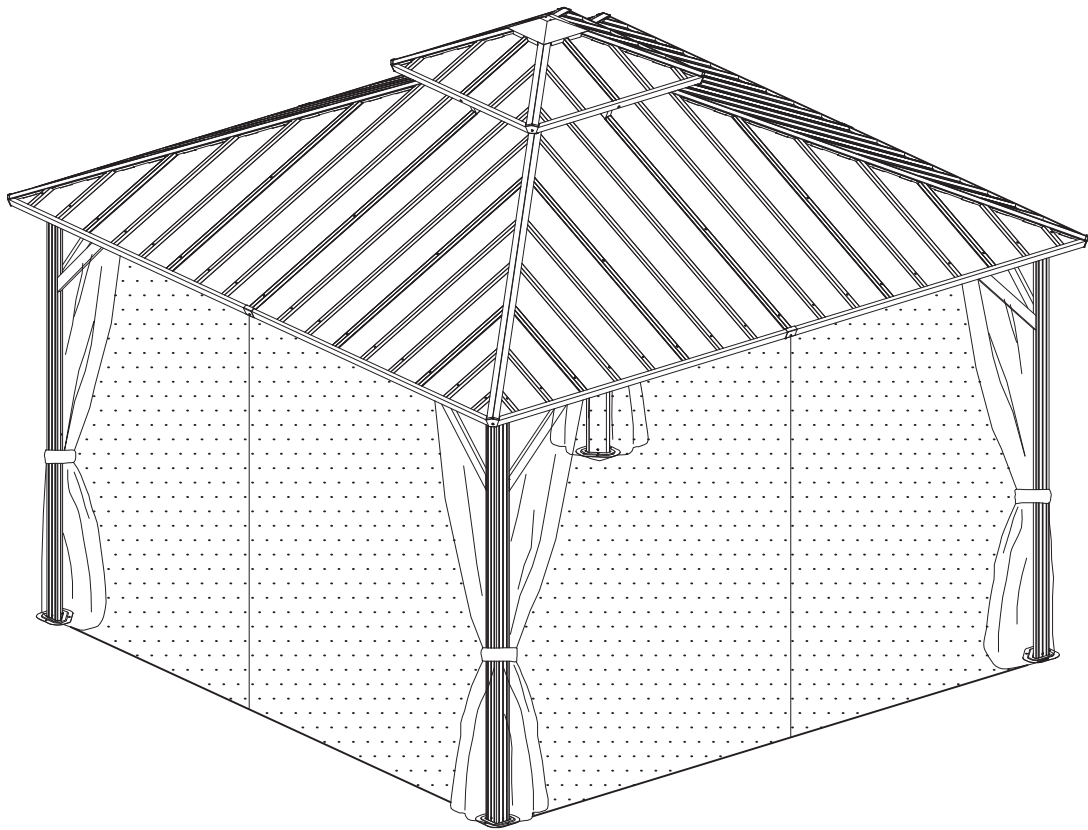


# 12 x 12FT

▯ ▯ ▯ ▯ ▯ ▯ ▯ ▯ WQG-029 ▯ ▯ ▯ ▯ ▯ ▯ ▯ ▯

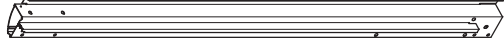




A3 4x



W3 4x



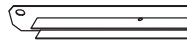
W4 4x



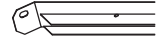
D6 4x



D7 4x



C1 4x



C2 4x



G1 4x



I1 4x



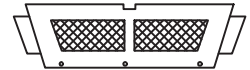
E5 4x



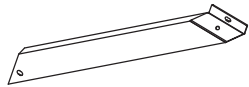
F1 4x



F2 4x



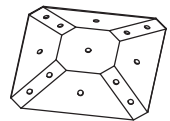
V1a 2x + V1b 2x



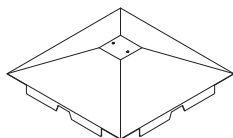
H 4x



H1 4x



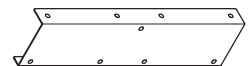
L1B 1x



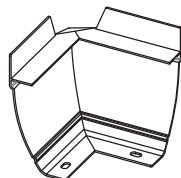
M1 1x



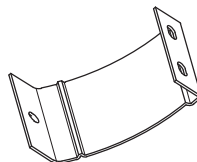
J 4x



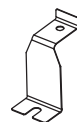
P 4x



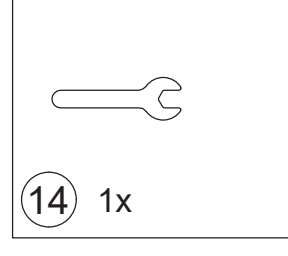
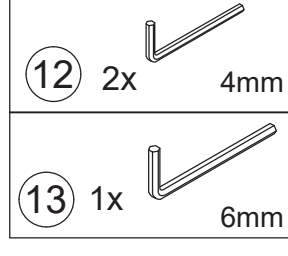
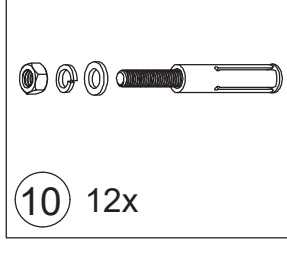
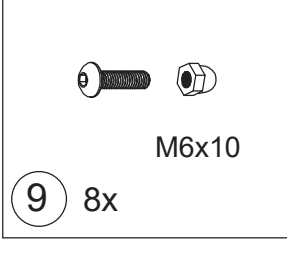
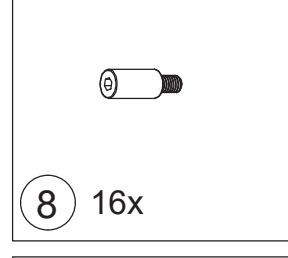
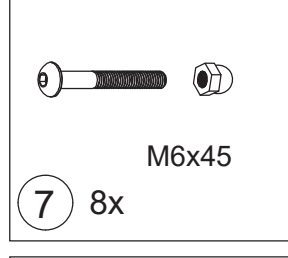
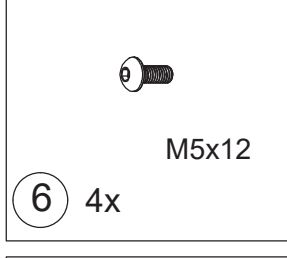
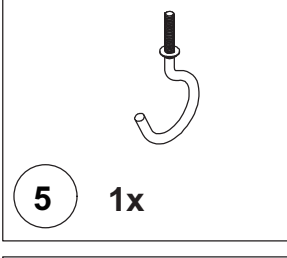
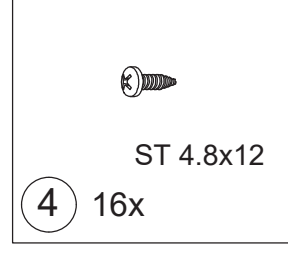
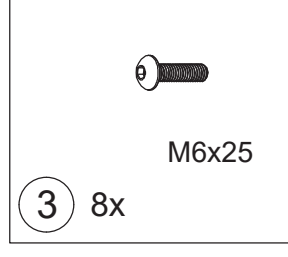
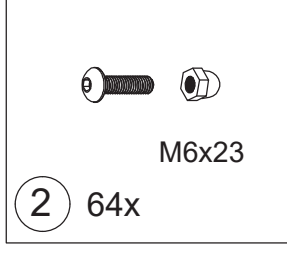
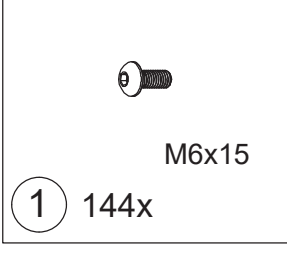
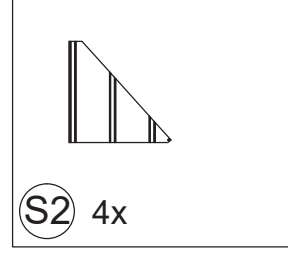
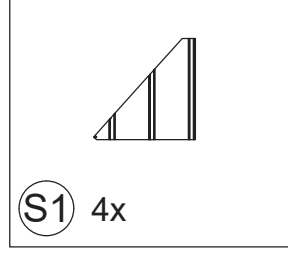
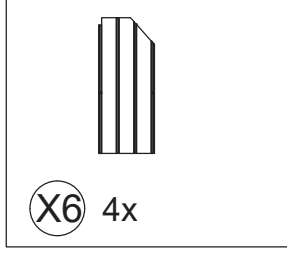
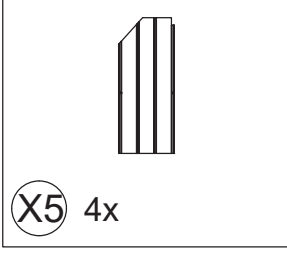
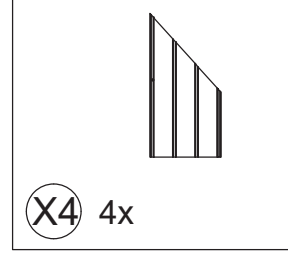
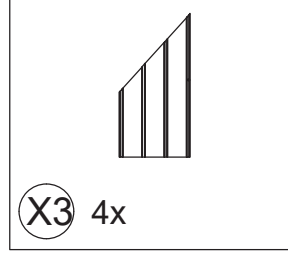
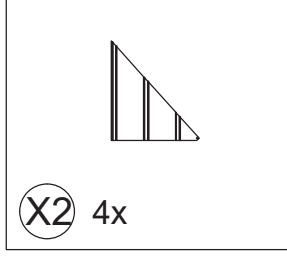
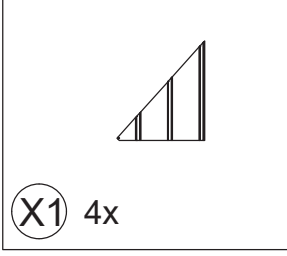
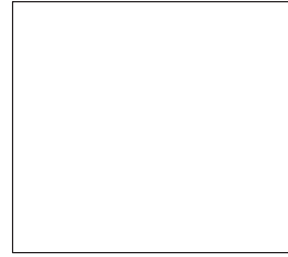
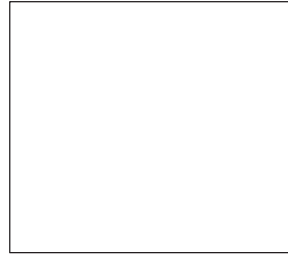
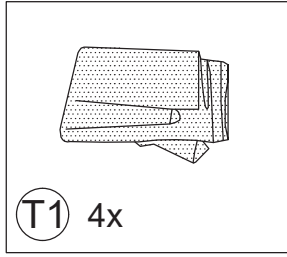
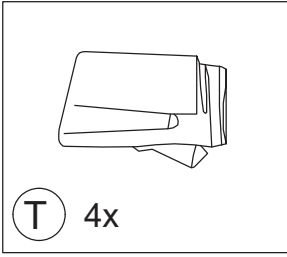
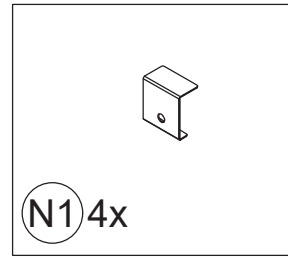
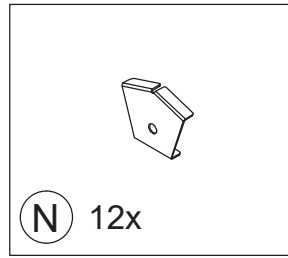
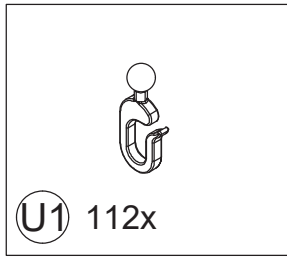
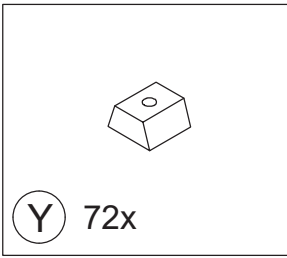
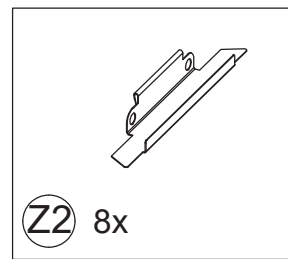
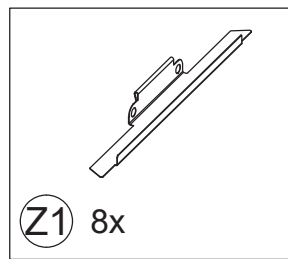
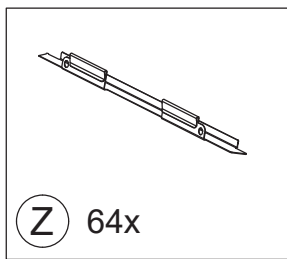
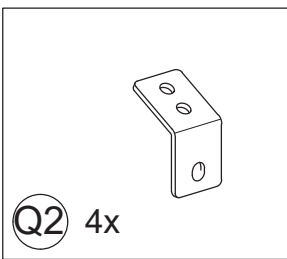
K2 4x



K1 4x



V 4x

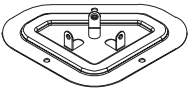


Carton-1/3		Carton-2/3		Carton-3/3	
Part	Qty	Part	Qty	Part	Qty
A3	4	W3	4	X1	4
D6	4	W4	4	X2	4
D7	4	E5	4	X3	4
C1	4	G1	4	X4	4
C2	4	H	4	X5	4
I1	4	H1	4	X6	4
P	4	F1	4	S1	4
J	4	F2	4	S2	4
V1a	2	L1B	1		
V1b	2	M1	1		
		K1	4		
		K2	4		
		V	4		
		Q2	4		
		Z	64		
		Z1	8		
		Z2	8		
		N	12		
		N1	4		
		Y	72		
		U	112		
		T	4		
		T1	4		
		1.2.4.5.6.7.8.	1		
		9.10.12.13.14			

<1>



A3 4x

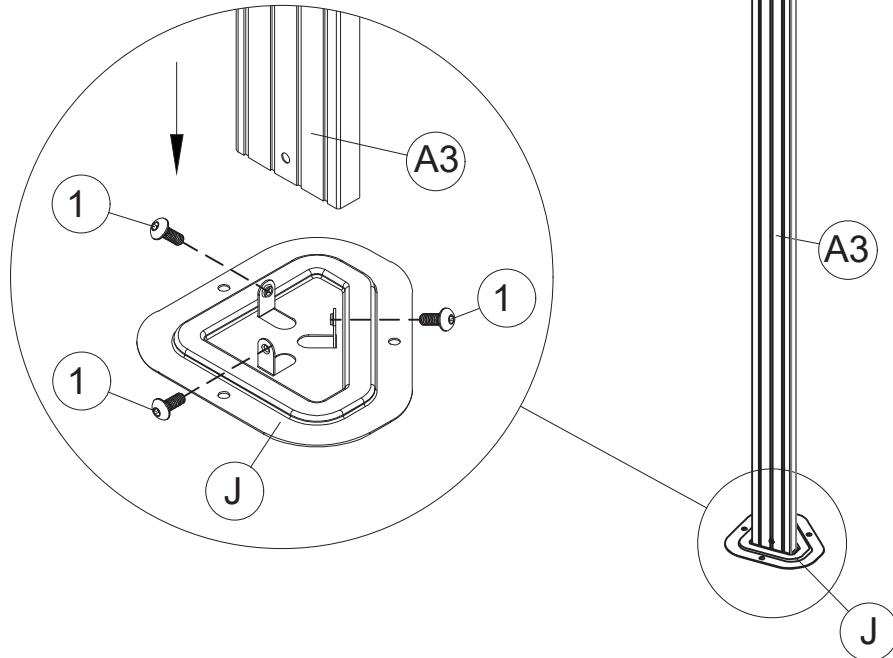


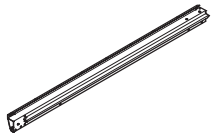
J 4x



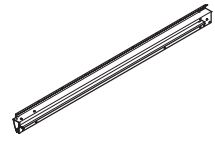
M6x15

1 12x

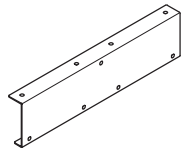




W3 4x



W4 4x



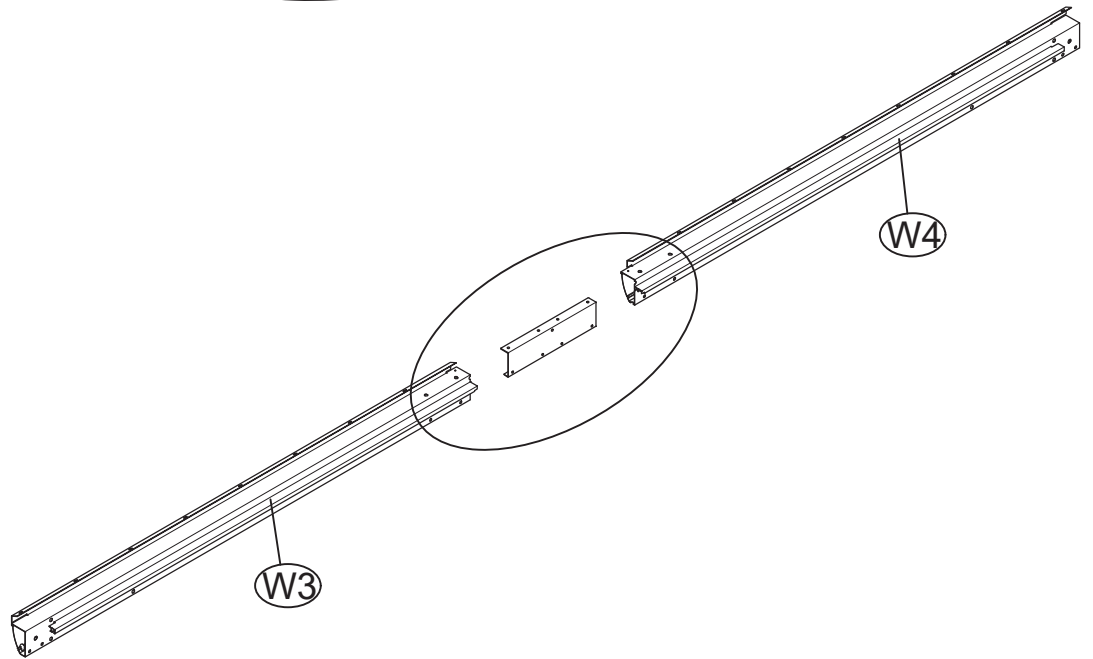
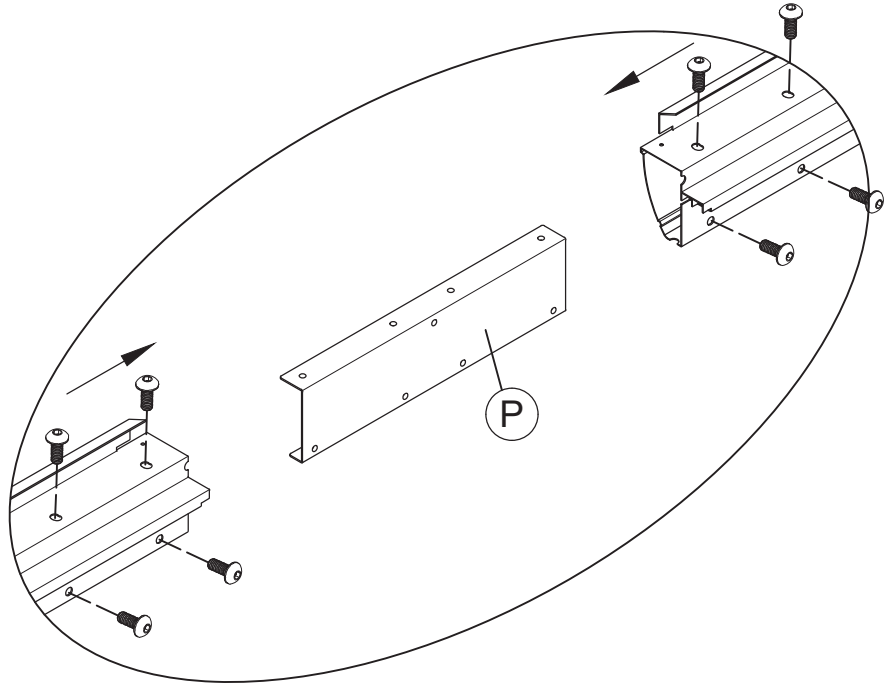
P 4x



M6x15

1 32x

<2>



<3>

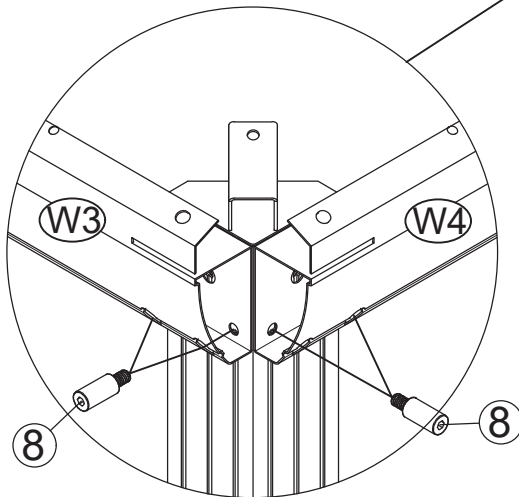
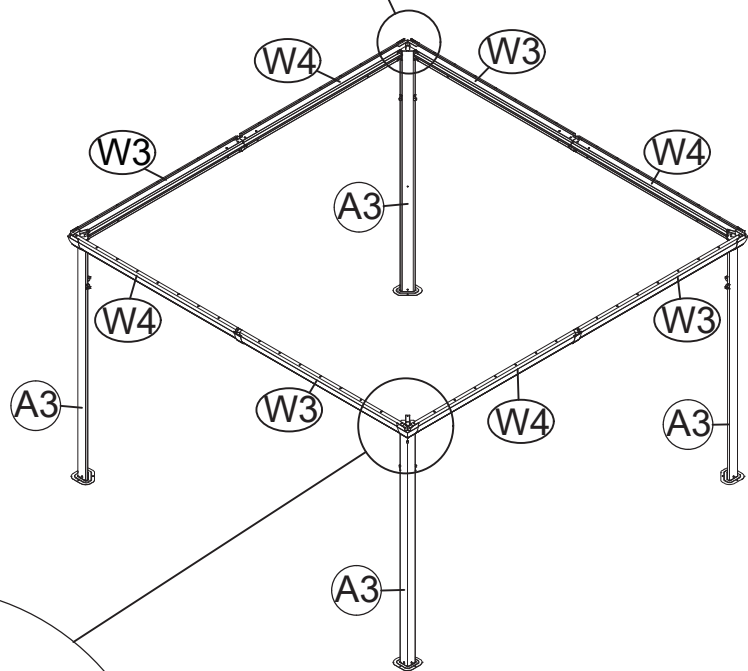
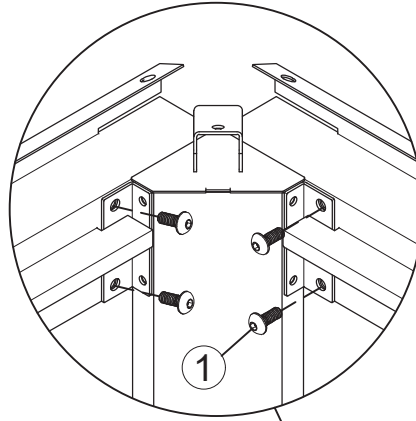


8 16x

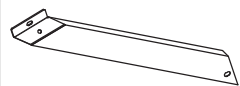


M6x15

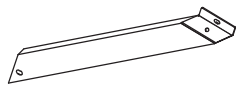
1 16x



7



H1 4x



H 4x



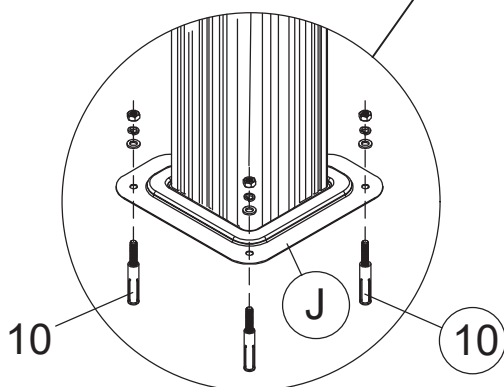
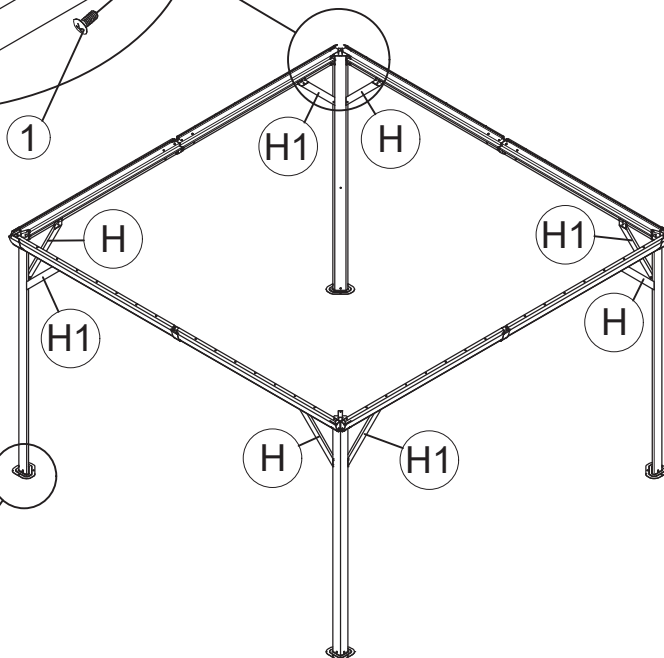
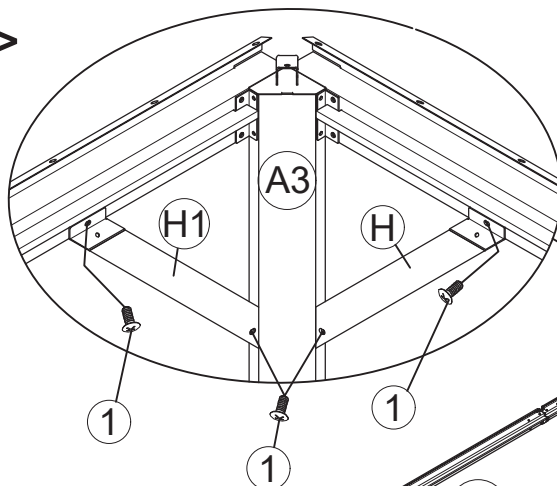
M6x15

1 16x

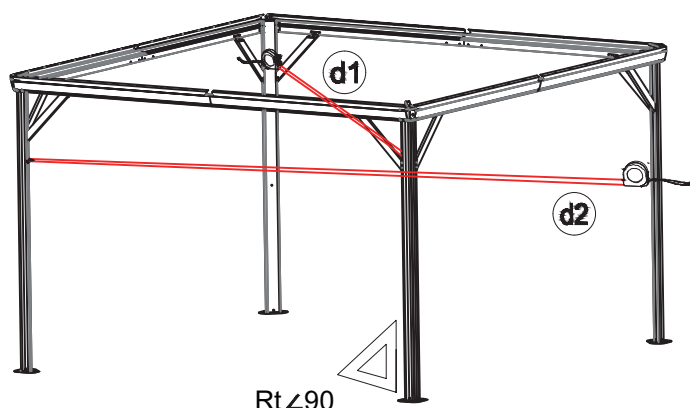


10 12x

<4>

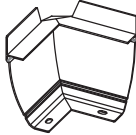







i d1=d2

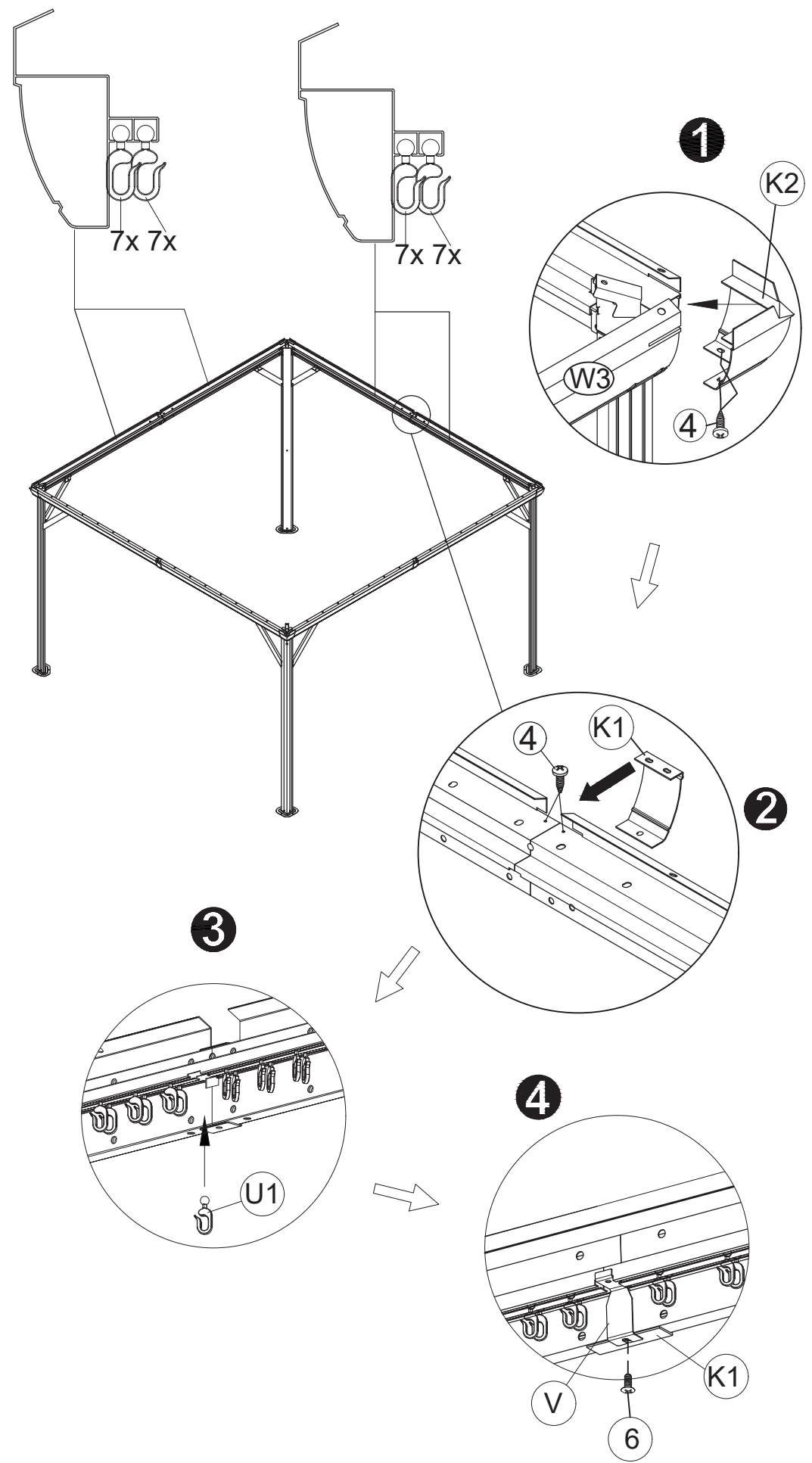


Tips: Please measure to make sure the length of d1 is equal to d2 before moving to next step to ensure a square frame and best results. Keep the beam at right angles to the post, the post at right angles to the ground, and keep the beam horizontal.



-  **K2** 4x
-  **K1** 4x
-  **U1** 112x
-  **V** 4x
-  **6** 4X  
M5x12
-  **4** 16x  
ST4.8x12
- 9**

<5>

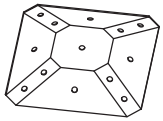


<6>

D6 4x



E5 4x



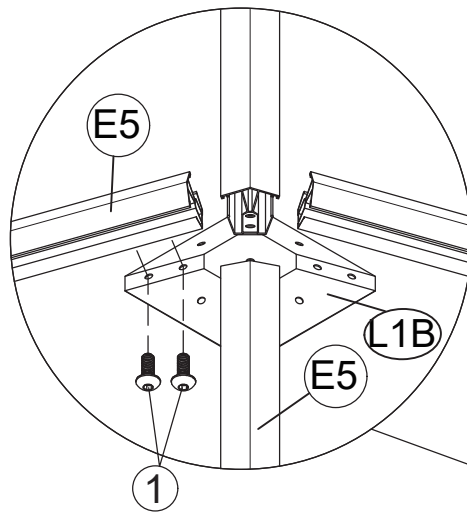
L1B 1x



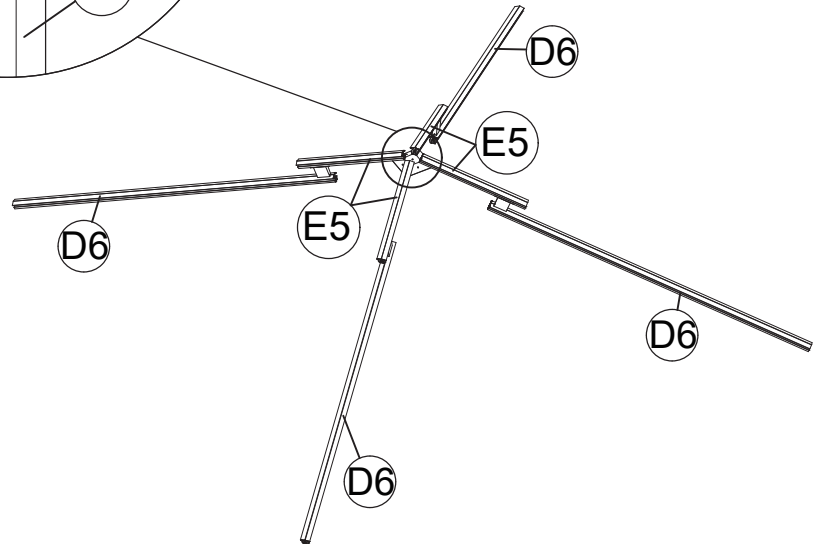
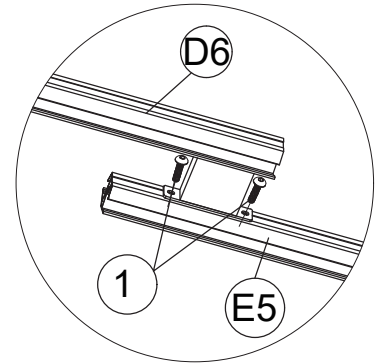
M6x15

1 16x

2



1

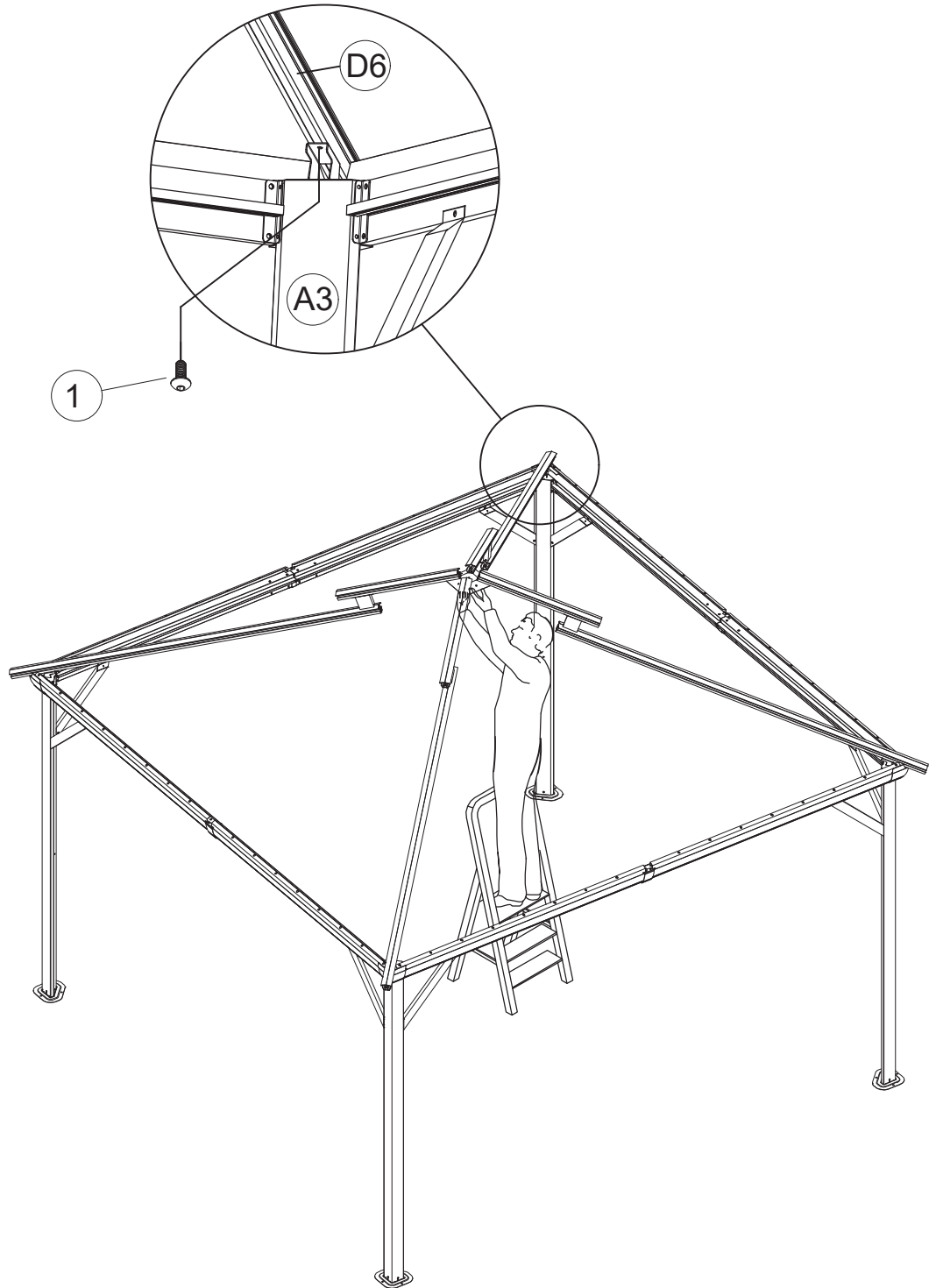




<7>

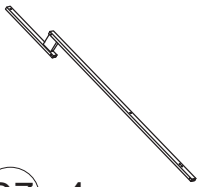
1

M6x15  
4x

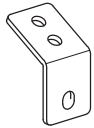


Note:

1. Let one person stand on the ladder to lift "L1B" and hold and let others fasten the screws connecting both ends of "D6".
2. Please do not let go of holding "L1B" until all the "D6" screws are installed.



D7 4x



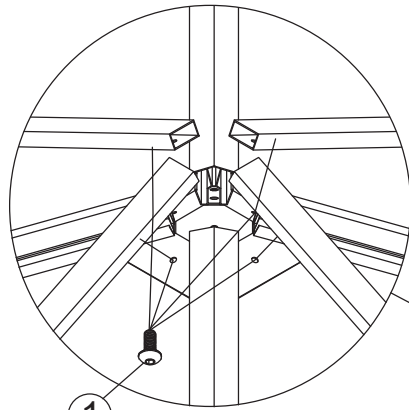
Q2 4x



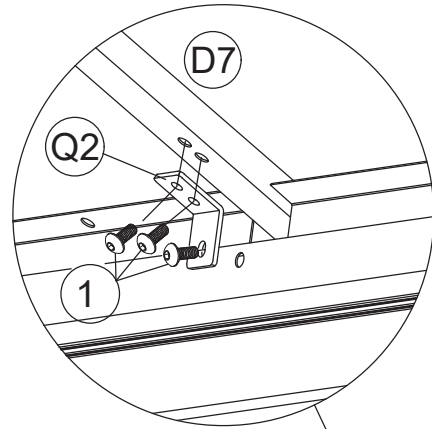
M6x15

1 16x

<8>



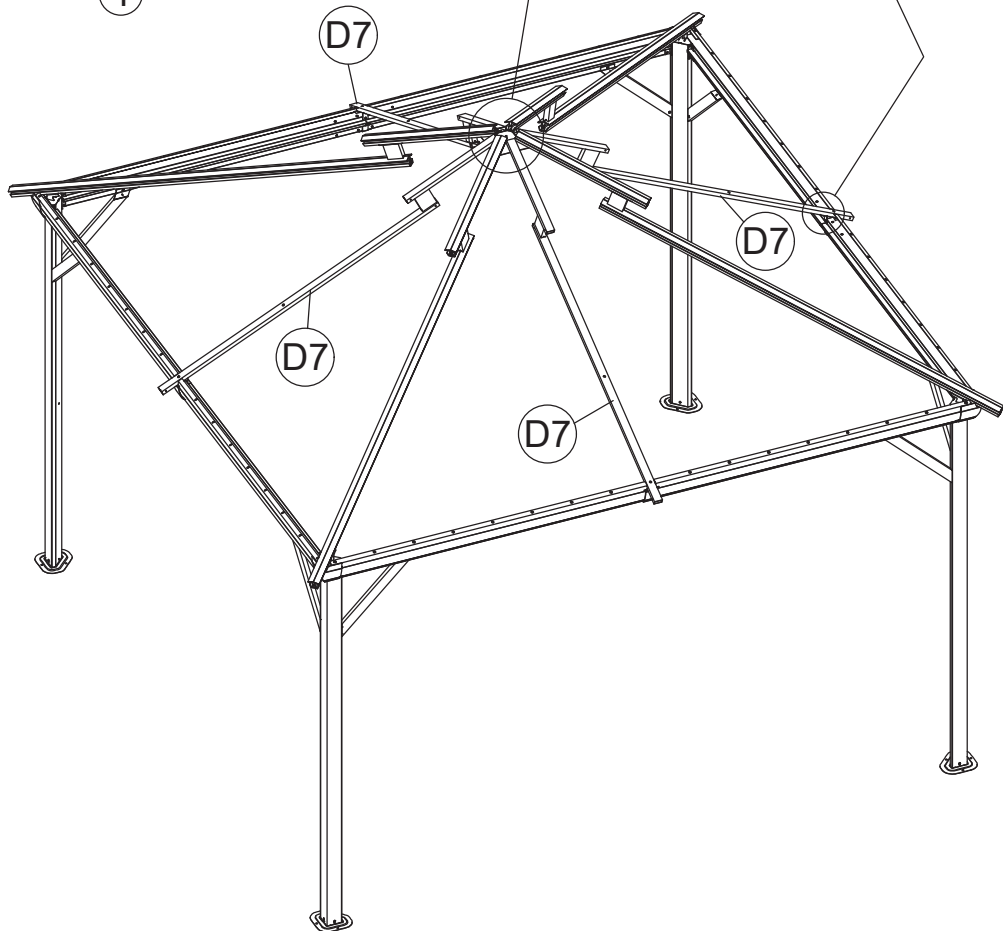
1



D7

Q2

1



D7

D7

D7

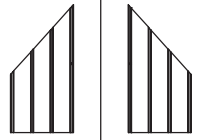
D7



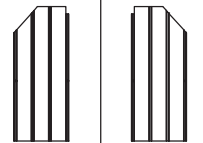
S1 4x S2 4x



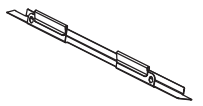
X1 4x X2 4x



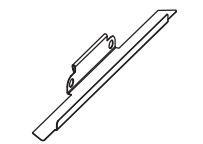
X3 4x X4 4x



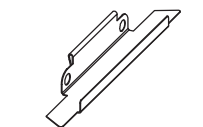
X5 4x X6 4x



Z 64x

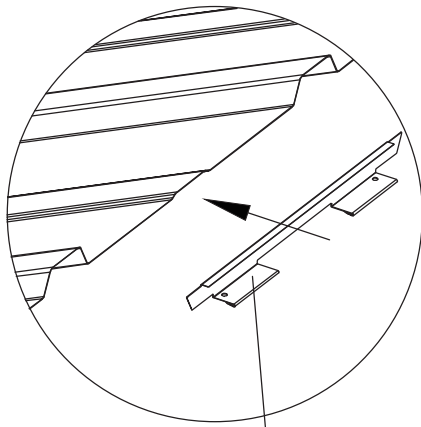


Z1 8x

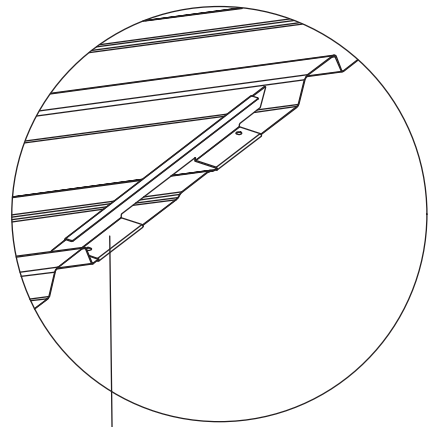
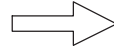


Z2 8x

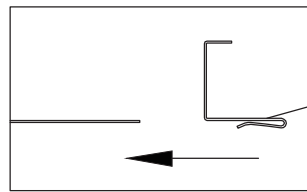
<9>



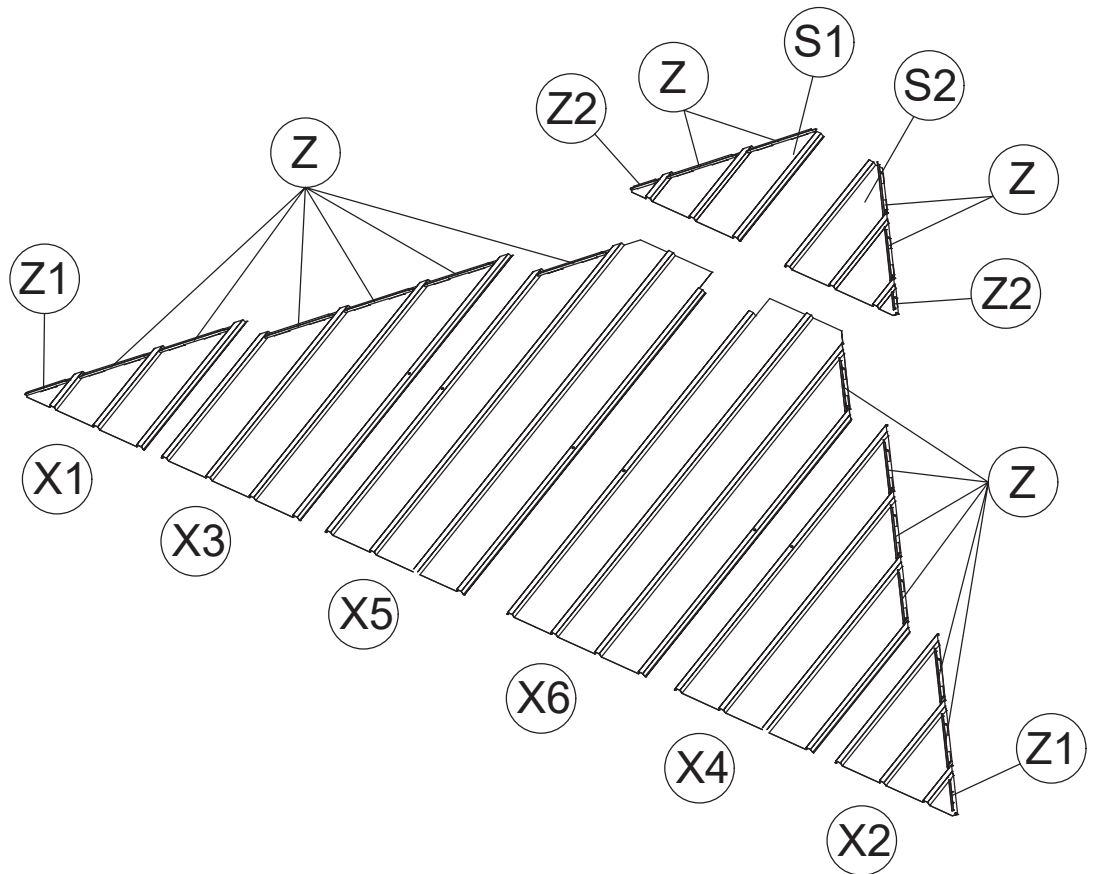
Z or Z1 or Z2



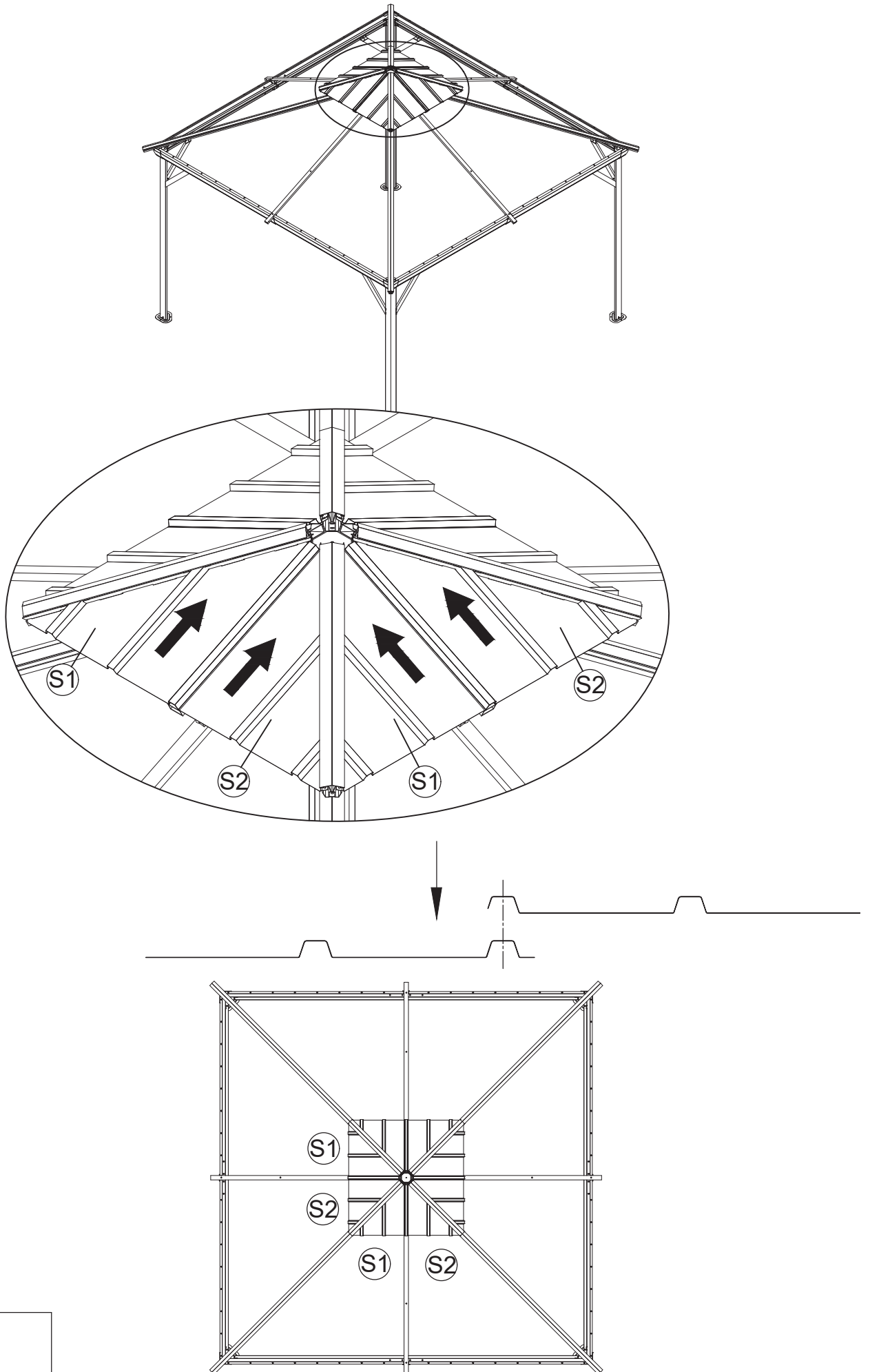
Z or Z1 or Z2

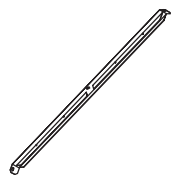


Z or Z1 or Z2



<10>





G1 4x



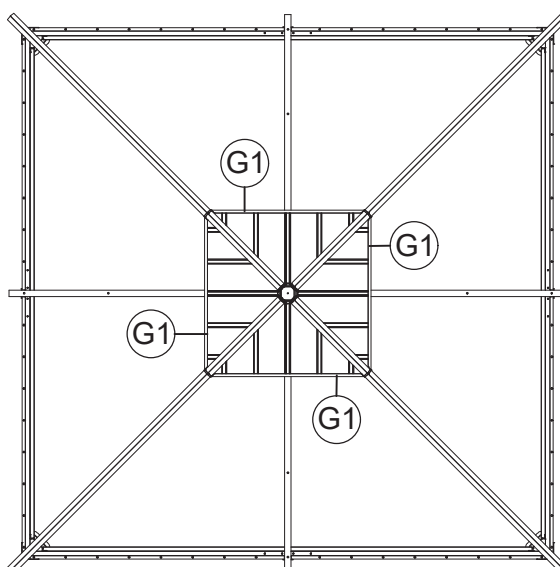
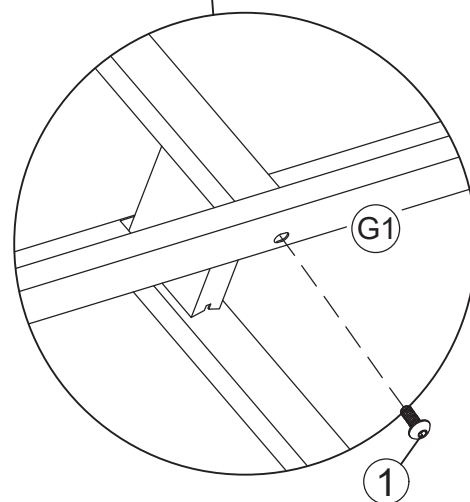
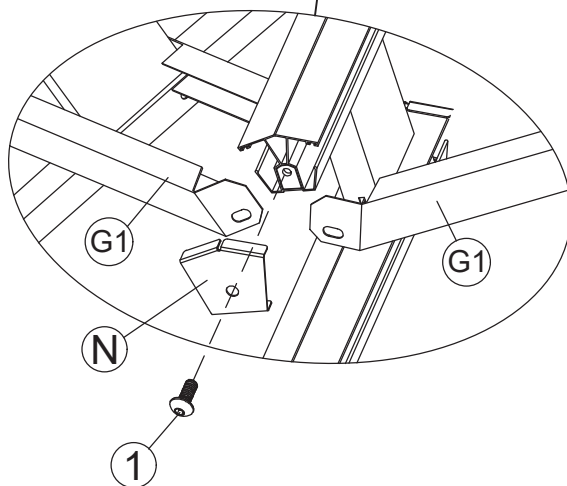
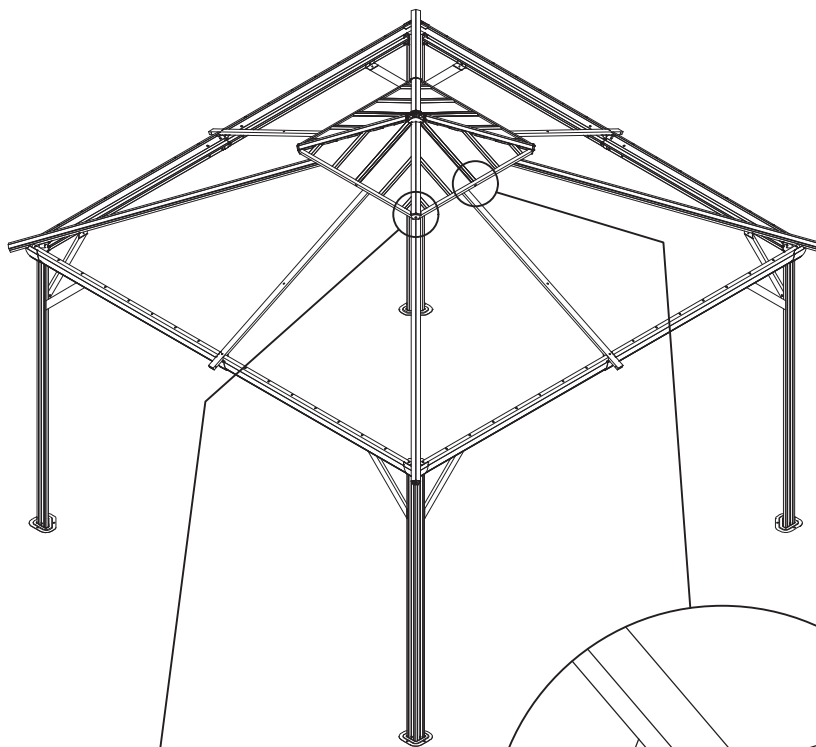
N 4x

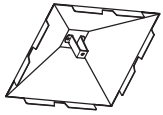


M6x15

1 8x

<11>



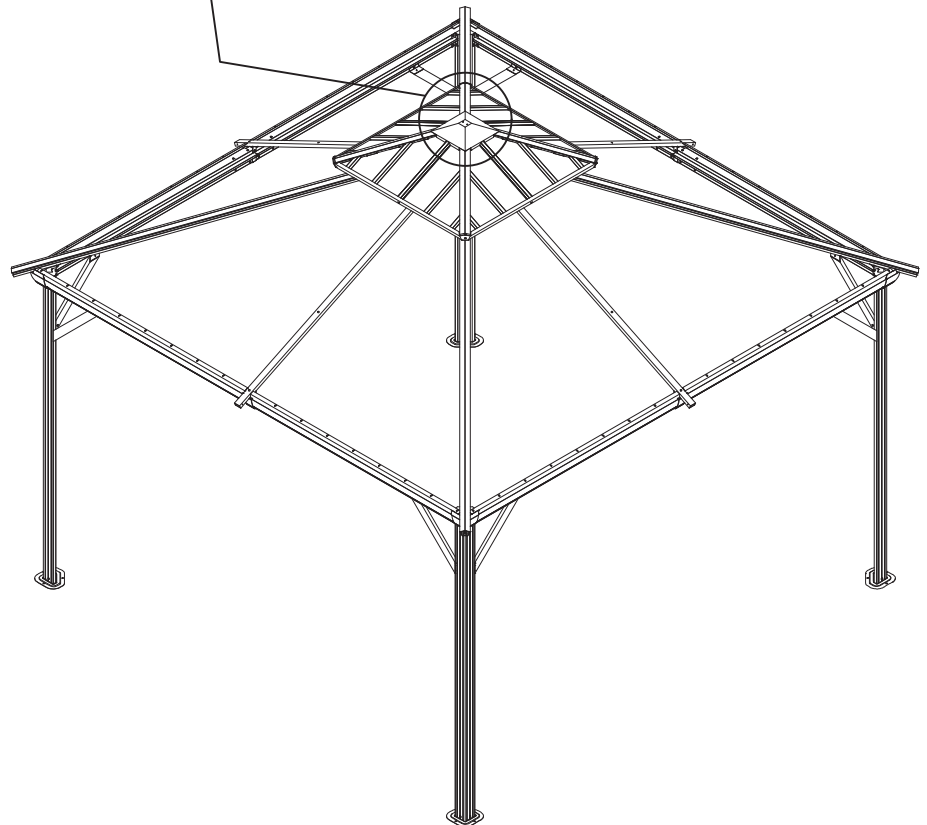
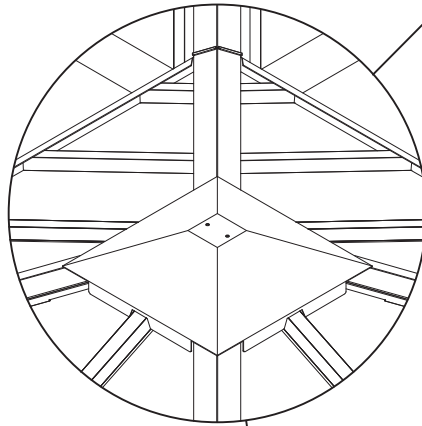
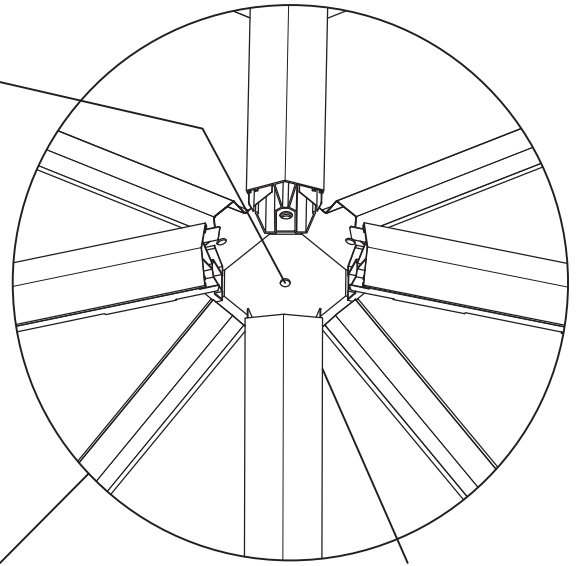
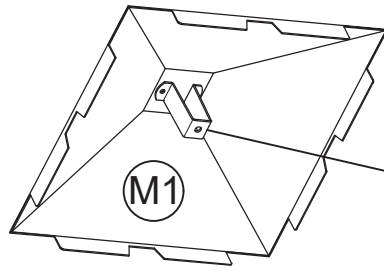


<12>

M1 1x



5 1x



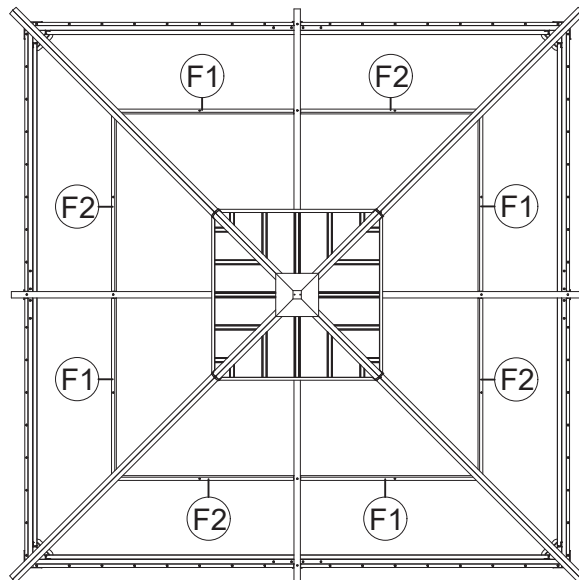
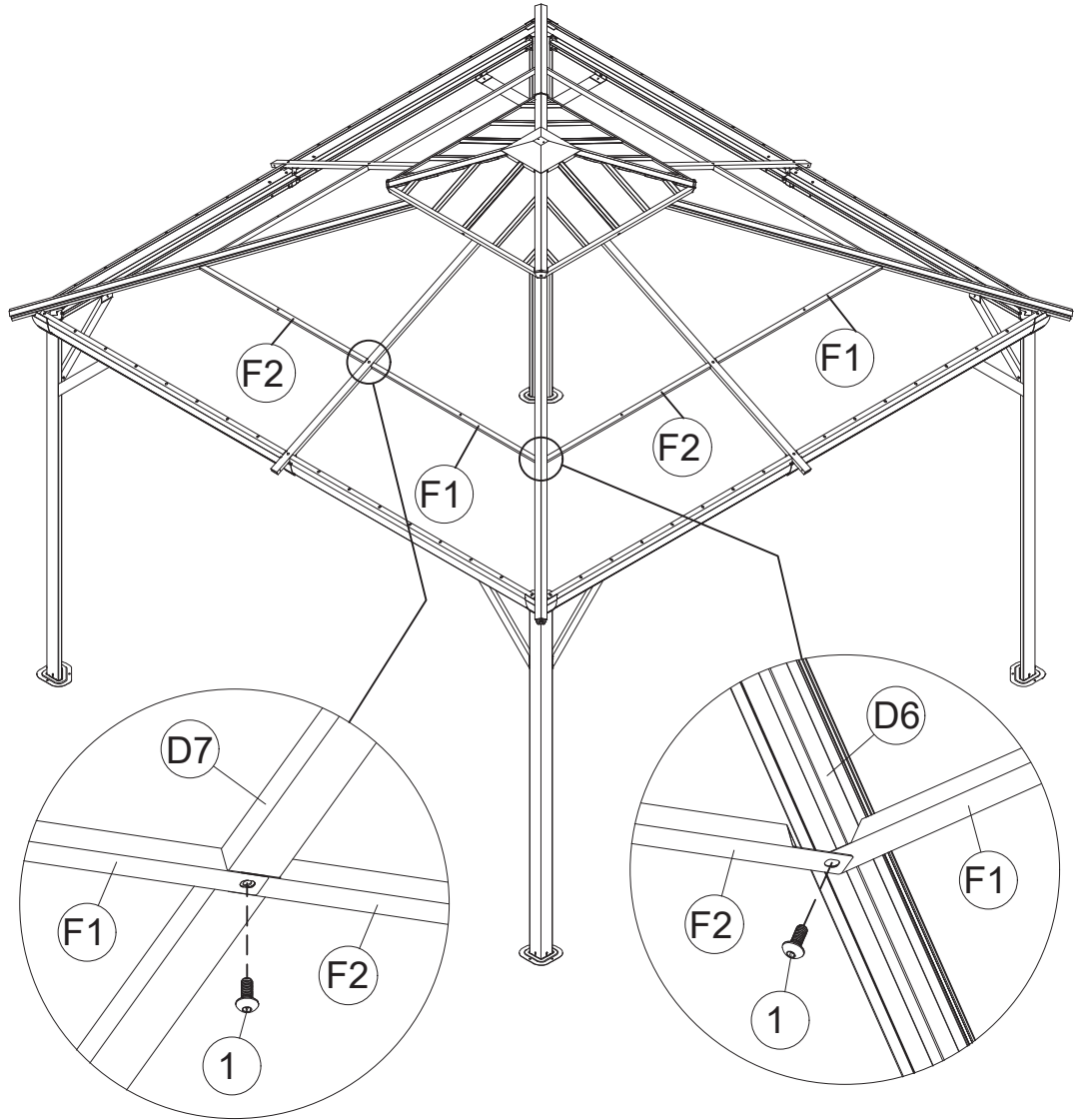


<13>

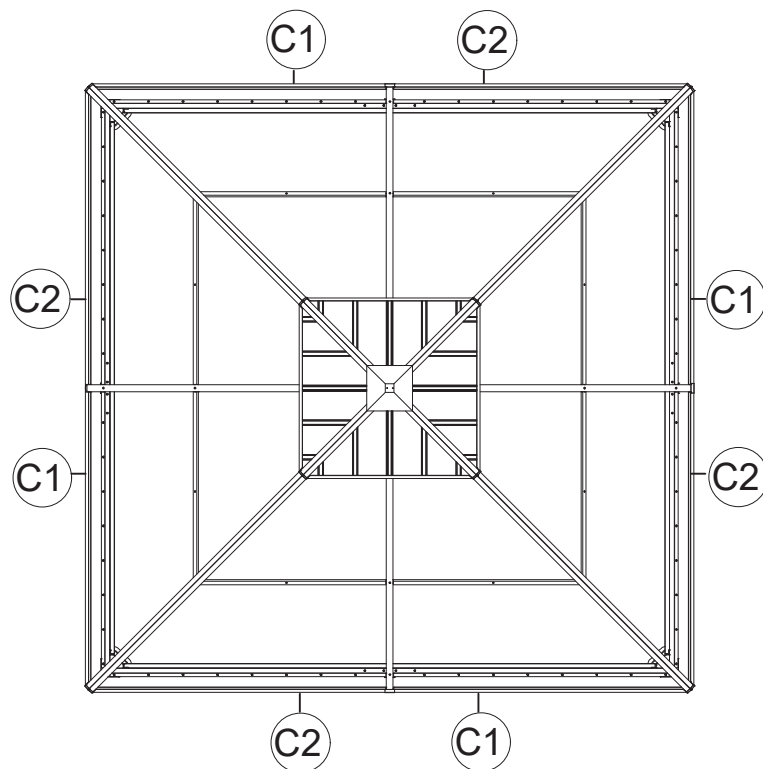
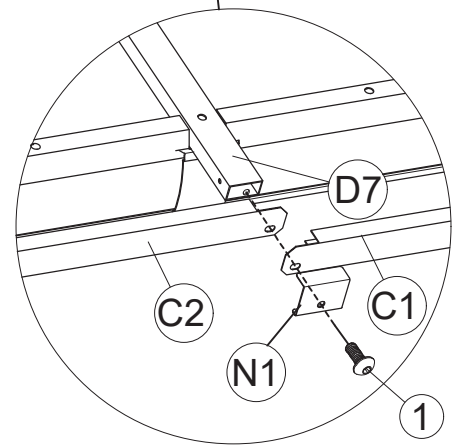
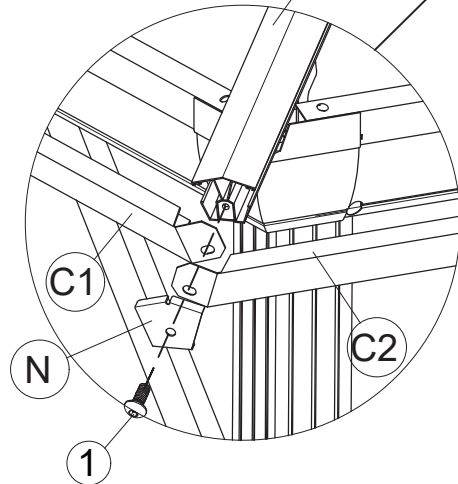
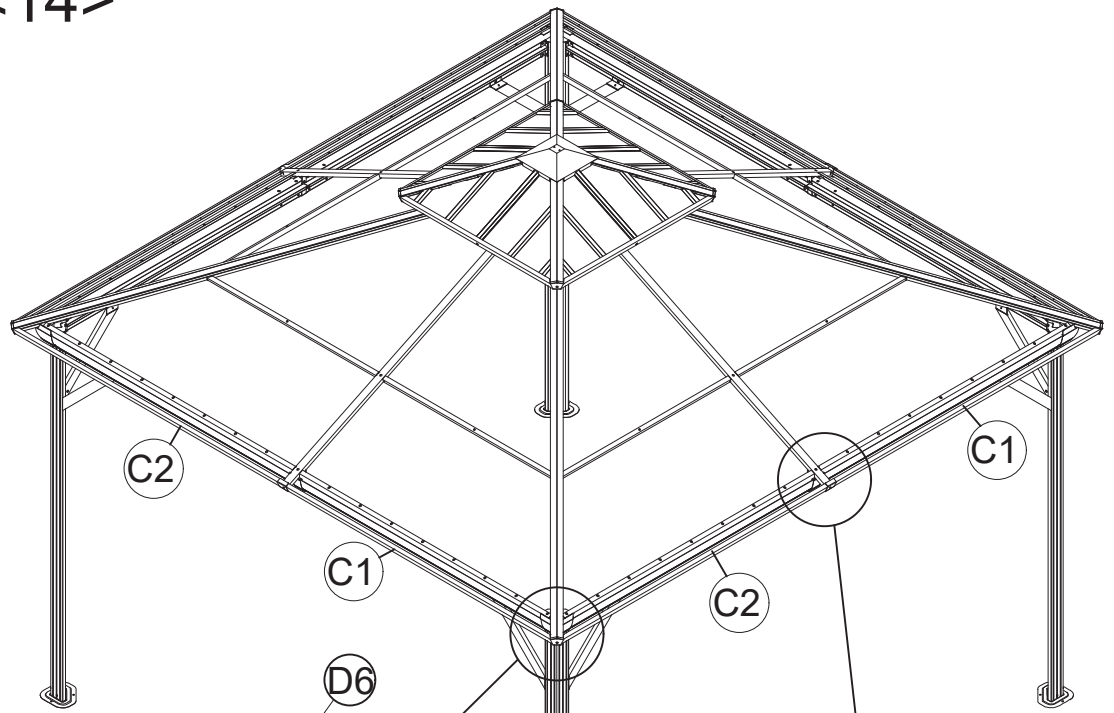
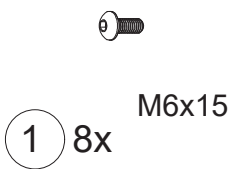
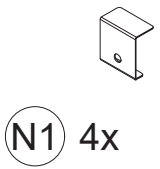
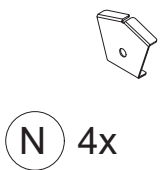
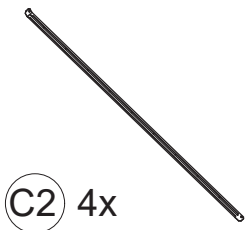
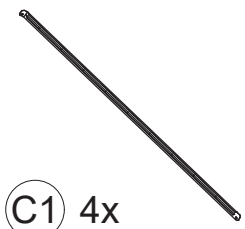
F1 4x

F2 4x

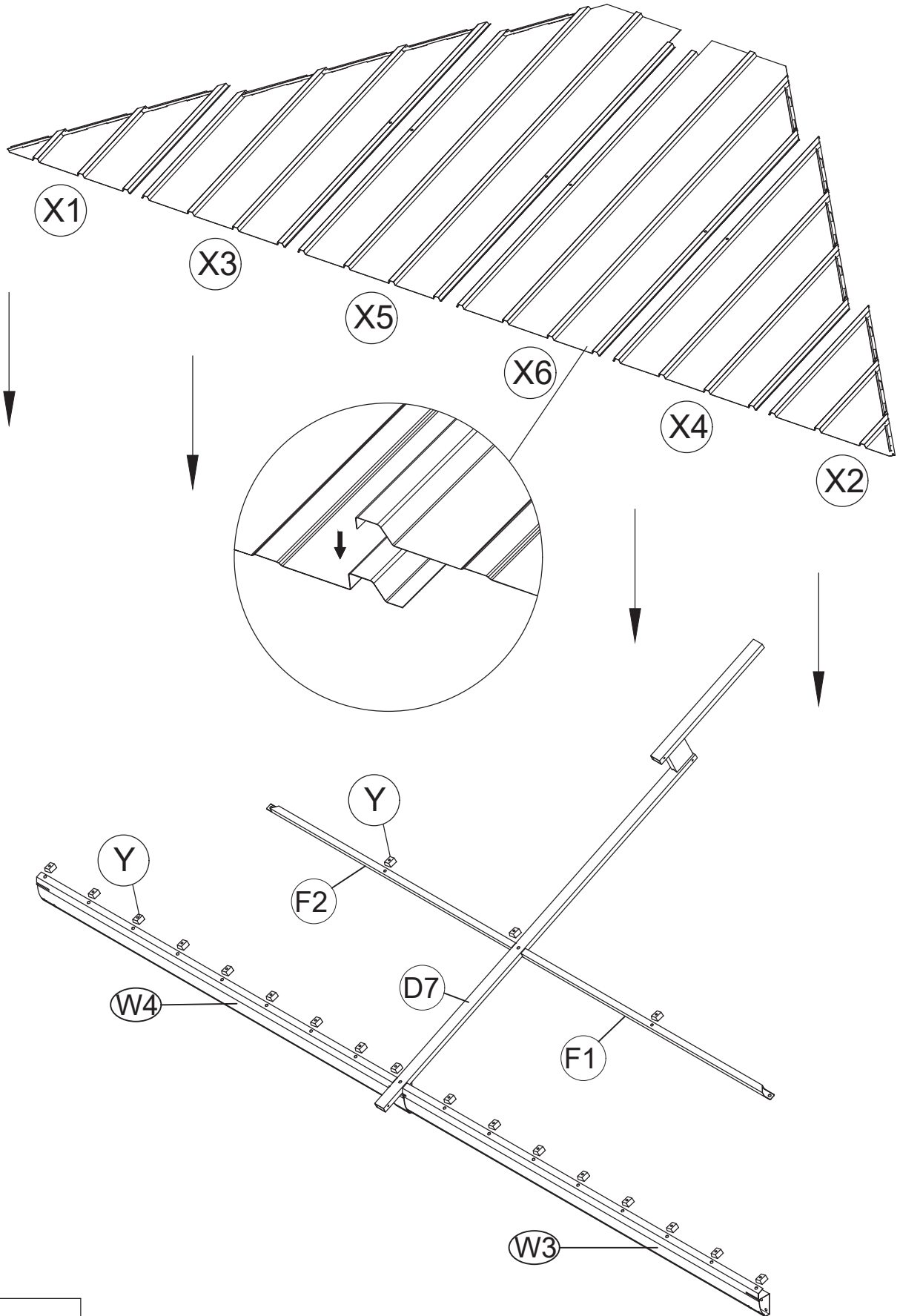
M6x15  
1 8x



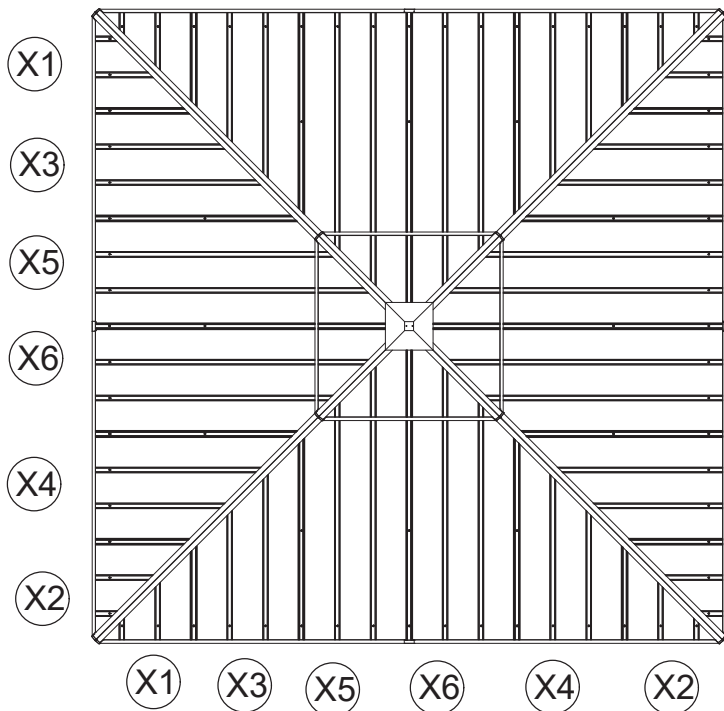
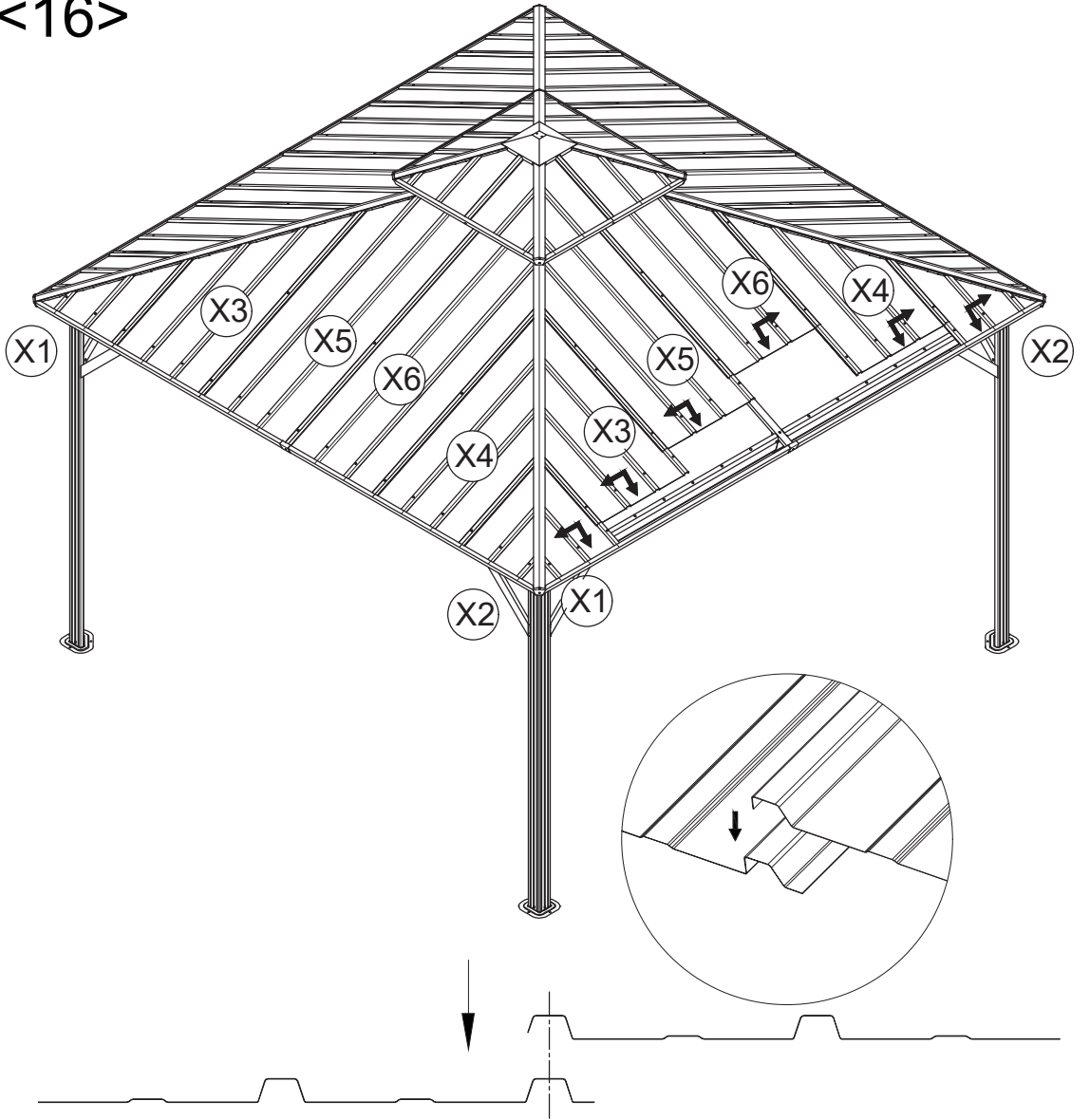
<14>



<15>



<16>





<17>

Y 72x



M6x25

3 8x



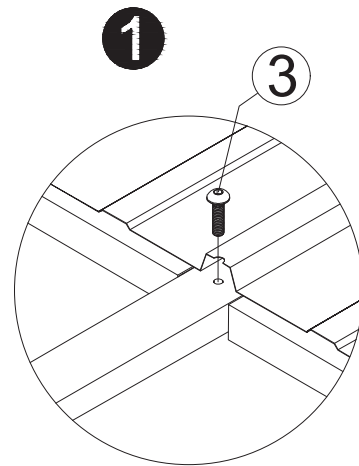
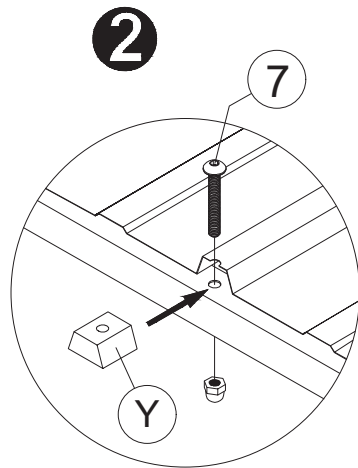
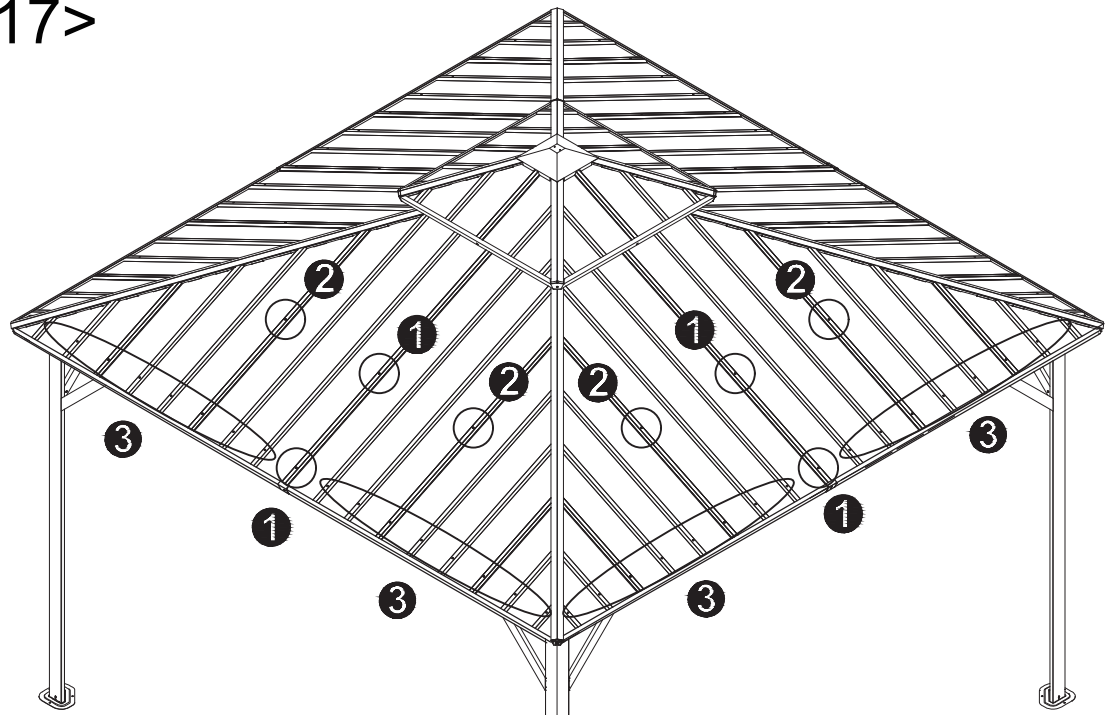
M6x23

2 64x

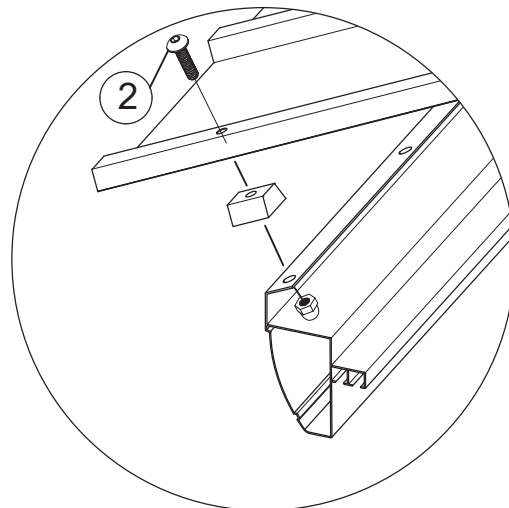


M6x45

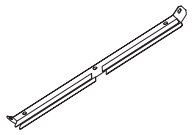
7 8x



3



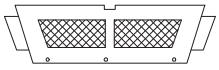
Note: When installing the roof top plates, if the roof plates are slightly uneven, pls press the screws from the top of the plates until the bottom screw thread is exposed by 3 to 4mm, and then screw on the nut.



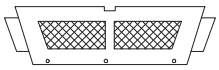
I1 4x



N 4x



V1a 2x



V1b 2x



M6x15

1 8x

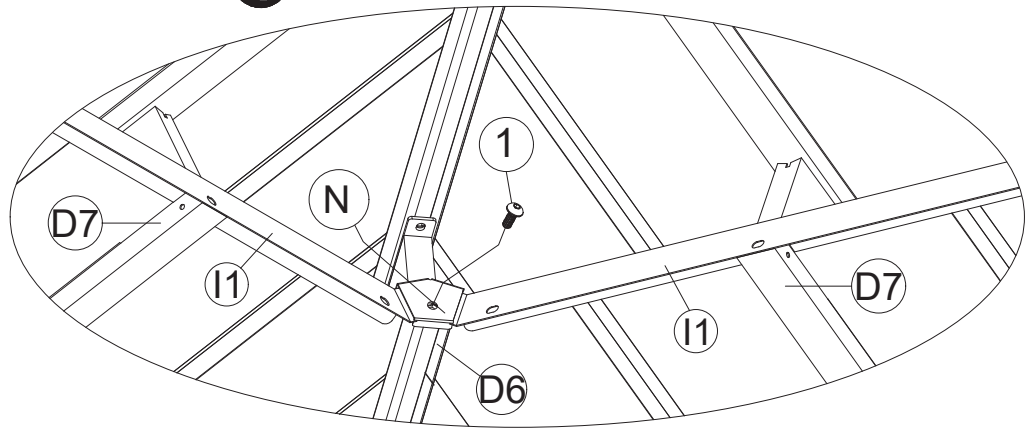


M6x10

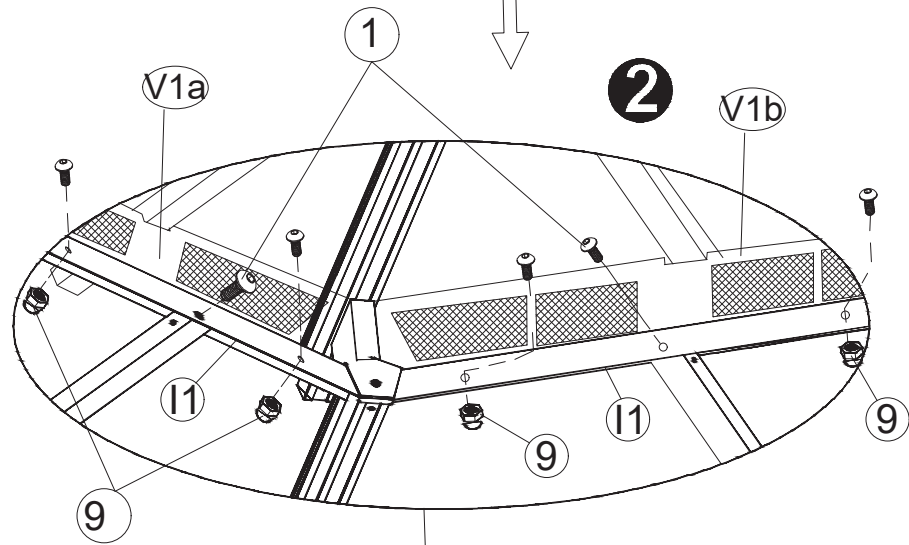
9 8x

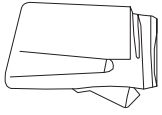
<18>

1



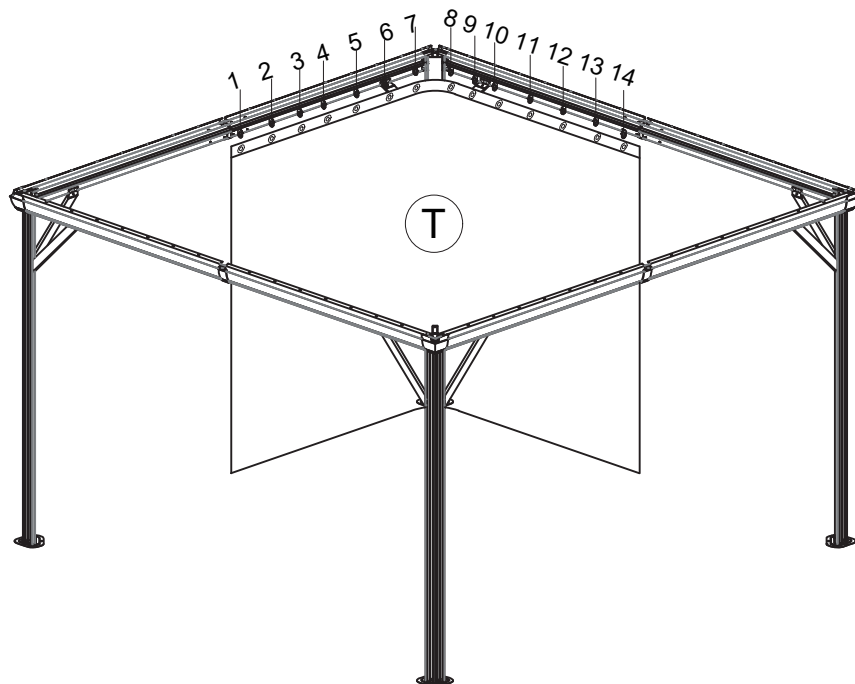
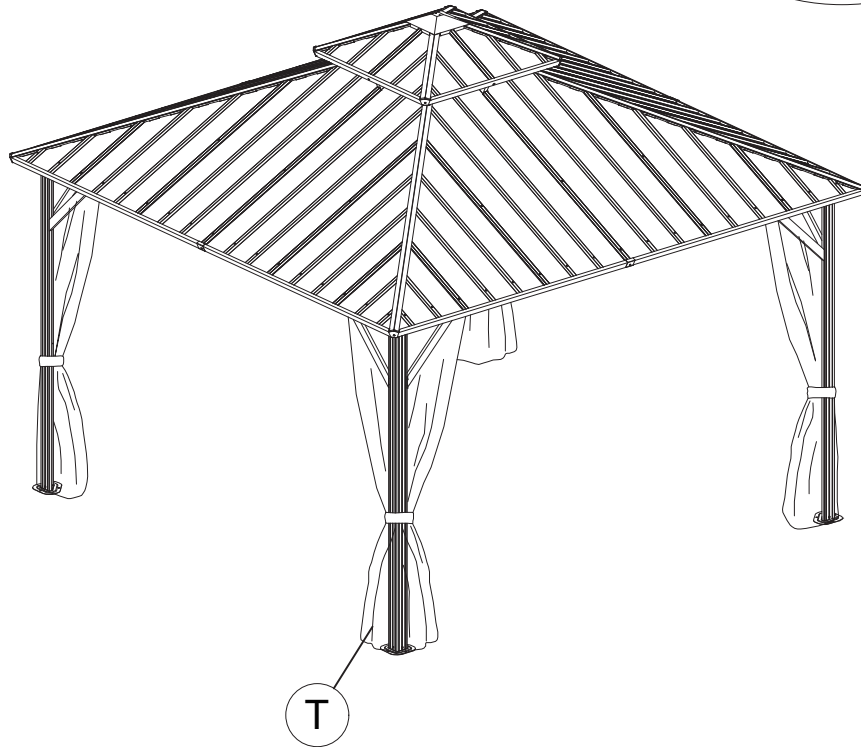
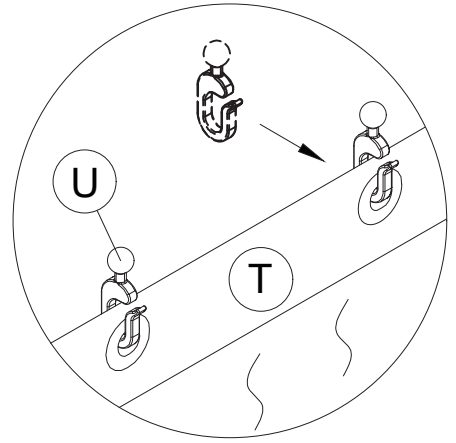
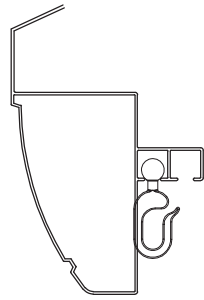
2



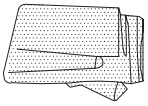


<19>

T 4x







<20>

T1 4x

