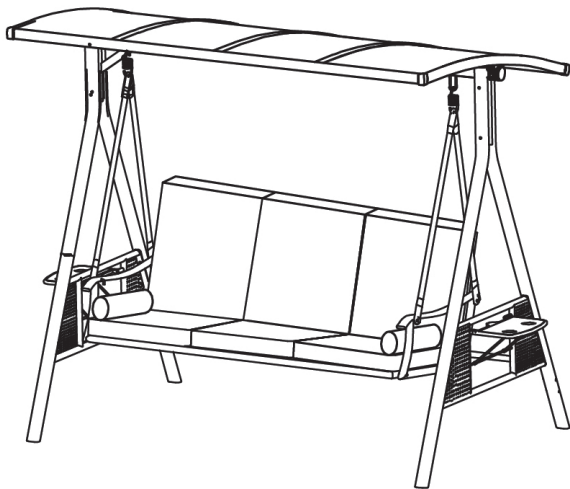


# ASSEMBLY INSTRUCTIONS

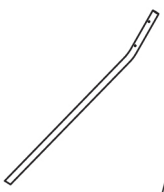
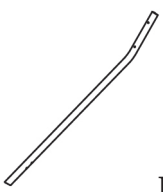
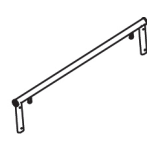
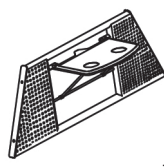







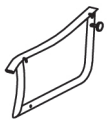

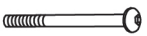













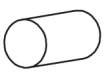
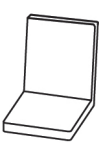
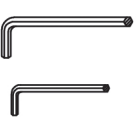
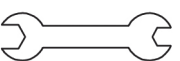
HWPS-055



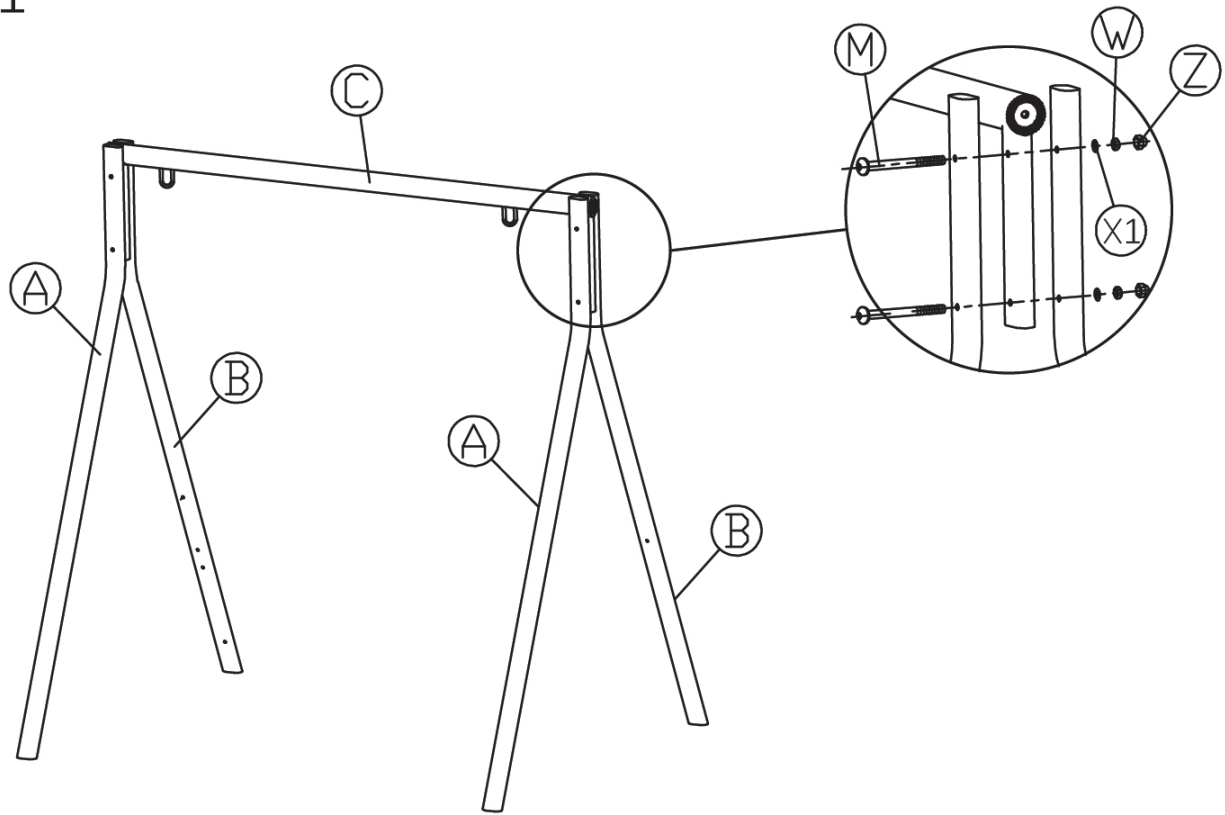
At least need 3person work together

## REQUIRED TOOLS

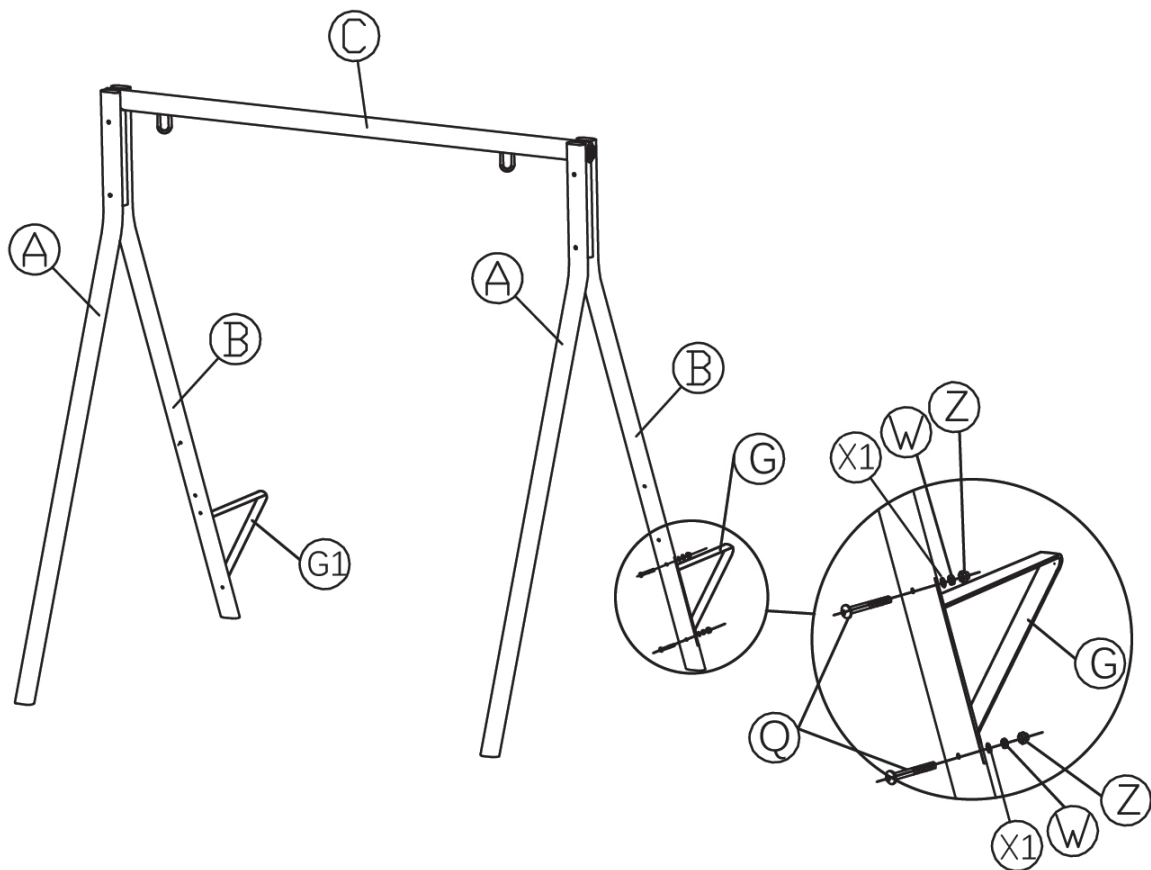


 A×2	 B×2	 C×1	 D×2
 E×4	 F×1	 G×1	 G1×1
 H×1	 I×2	 J×1	 K×1
 L×4	 M8×100 M×4	 M6×20 N×16	 M8×25 O×2
 M8×40 P×4	 M8×45 Q×4	 V×4	 R×2
 S×3	 T×2	 Y×2	 M8 Z×8
 M8 W×8	 M6 X×16	 M8 Y1×22	 CC×2
 DD×3	 AA×1	 BB×1	

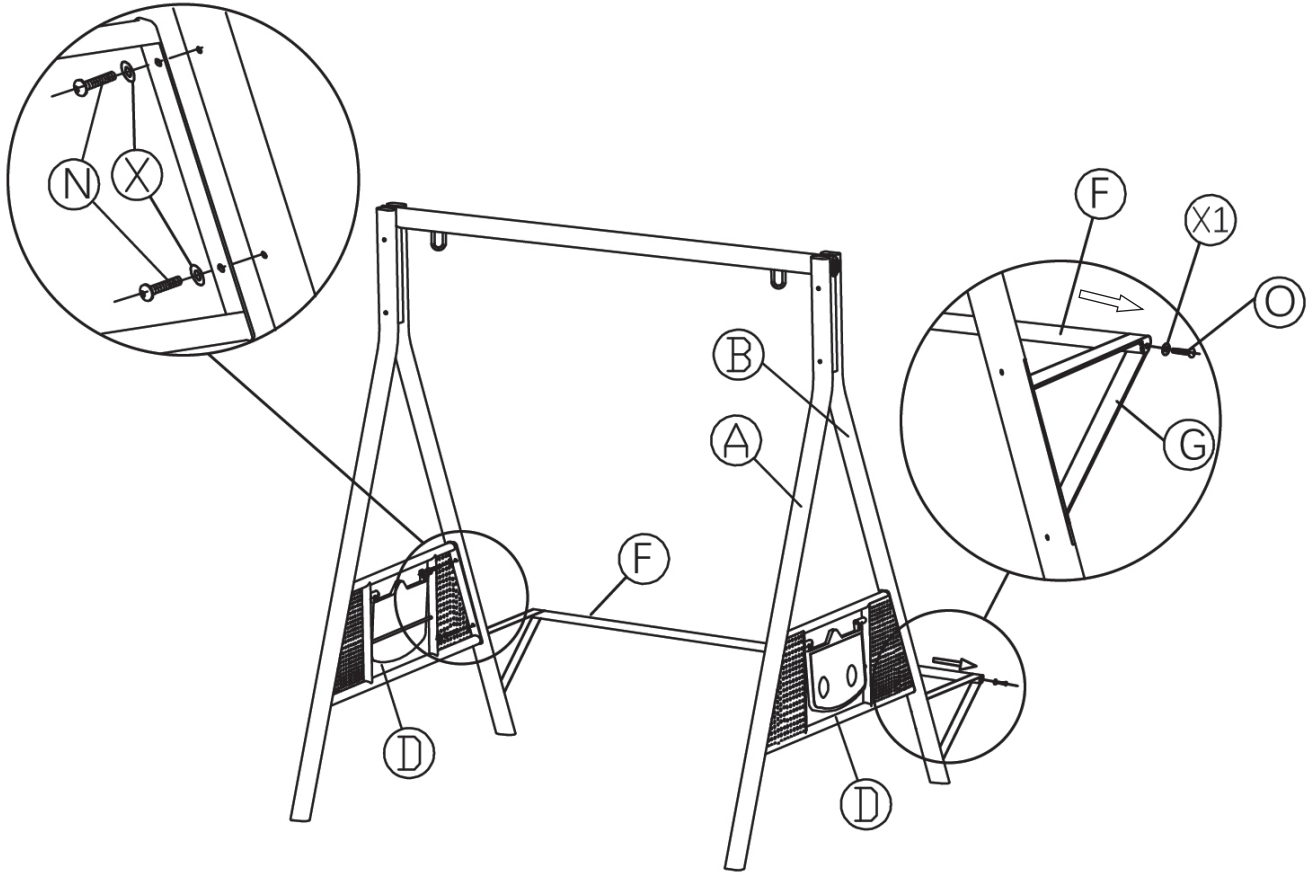
1



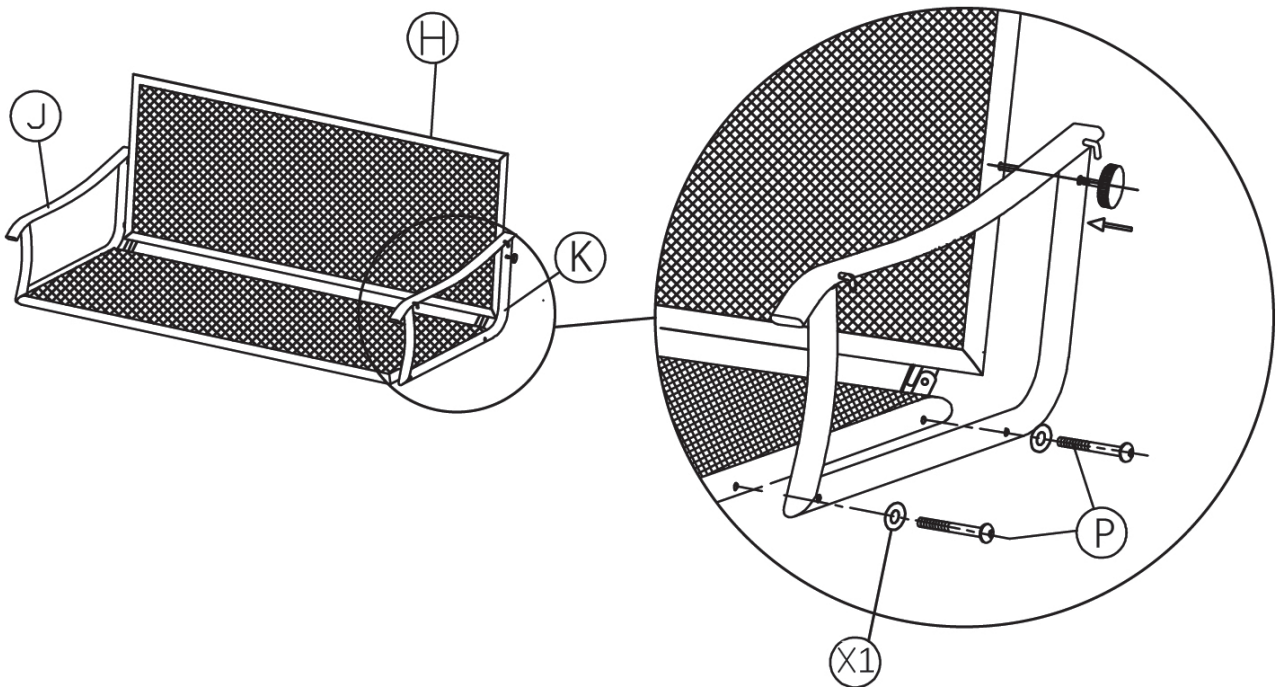
2



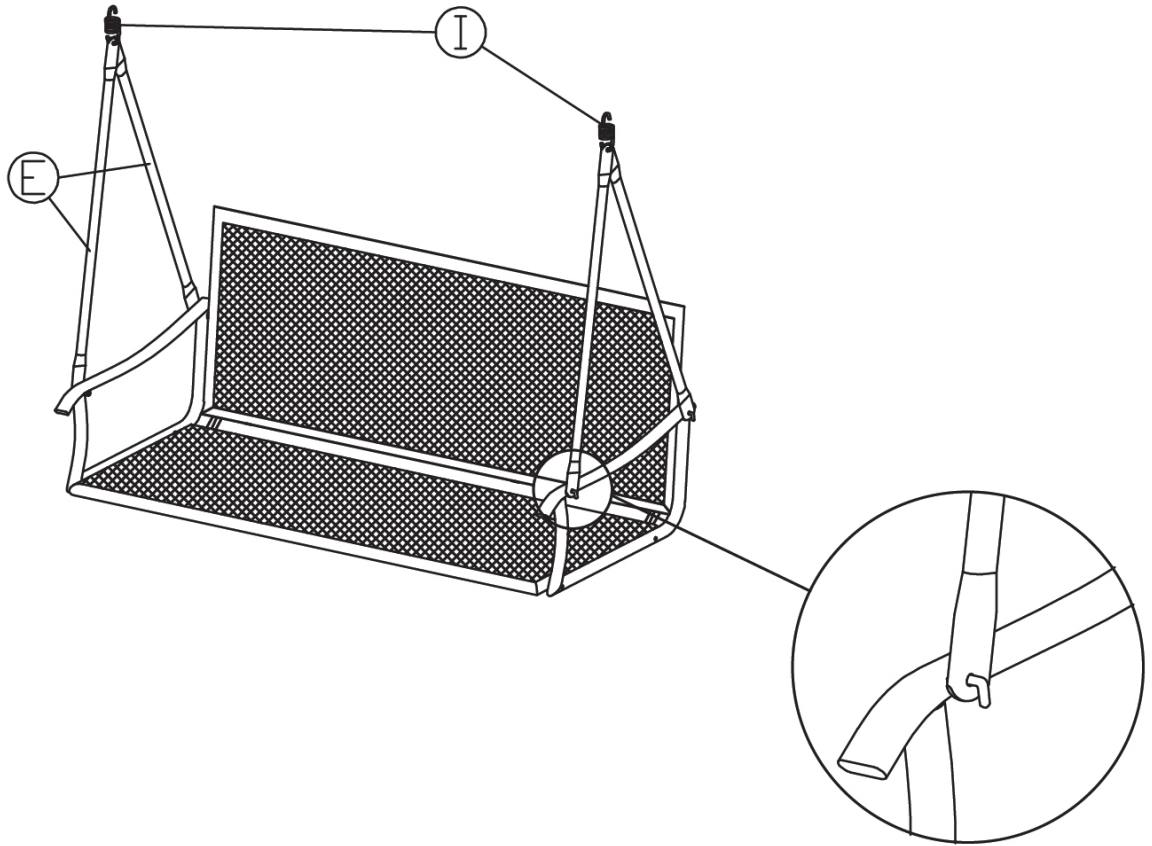
3



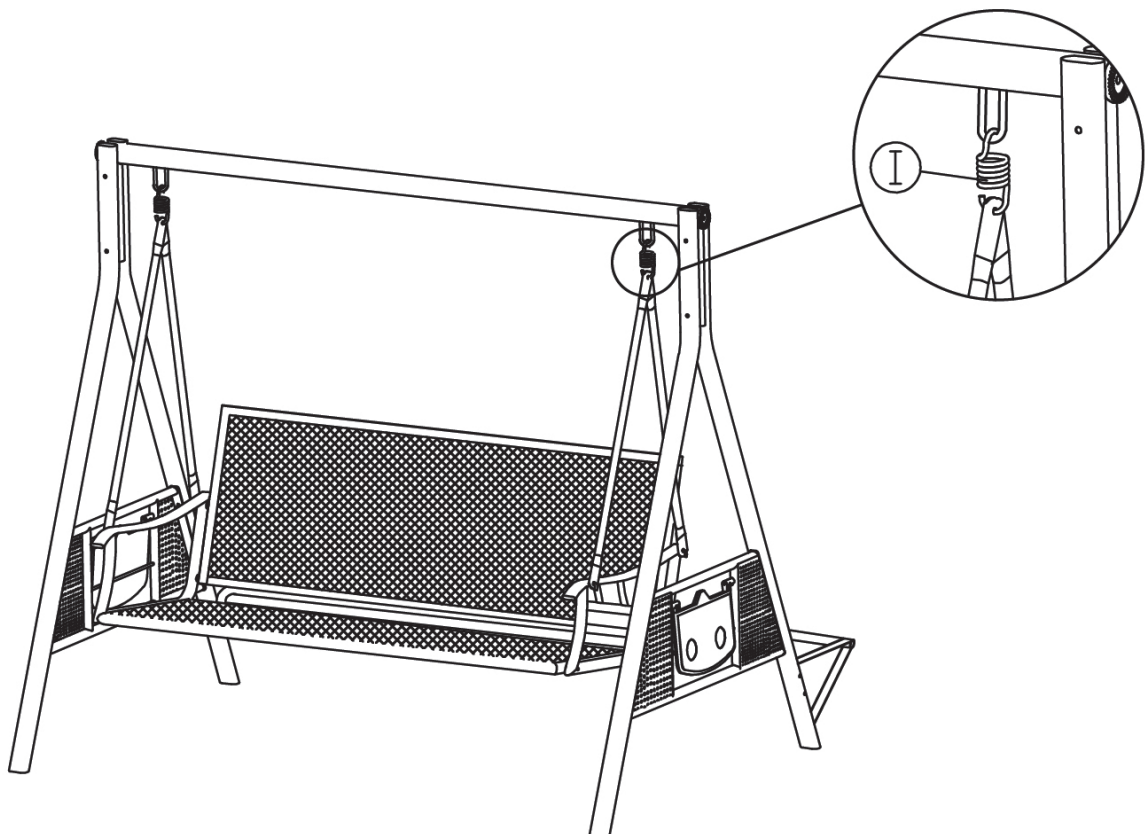
4



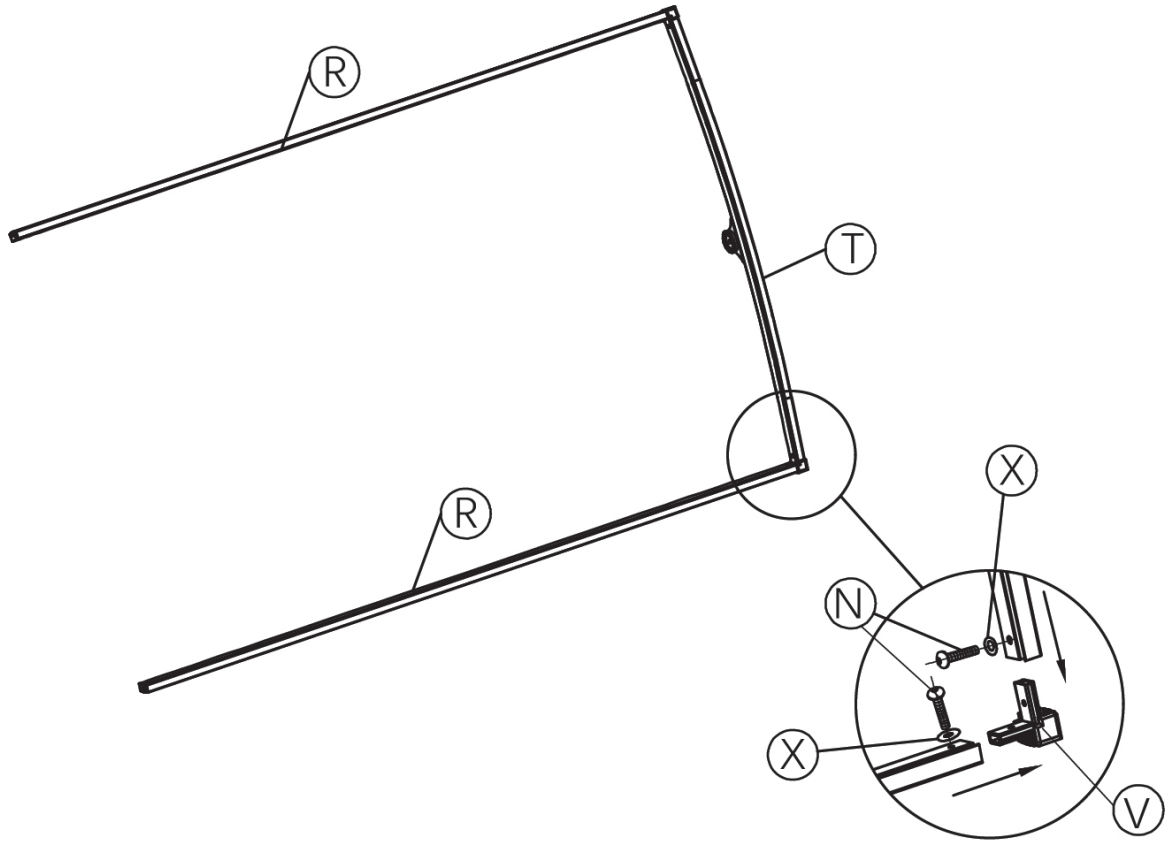
5



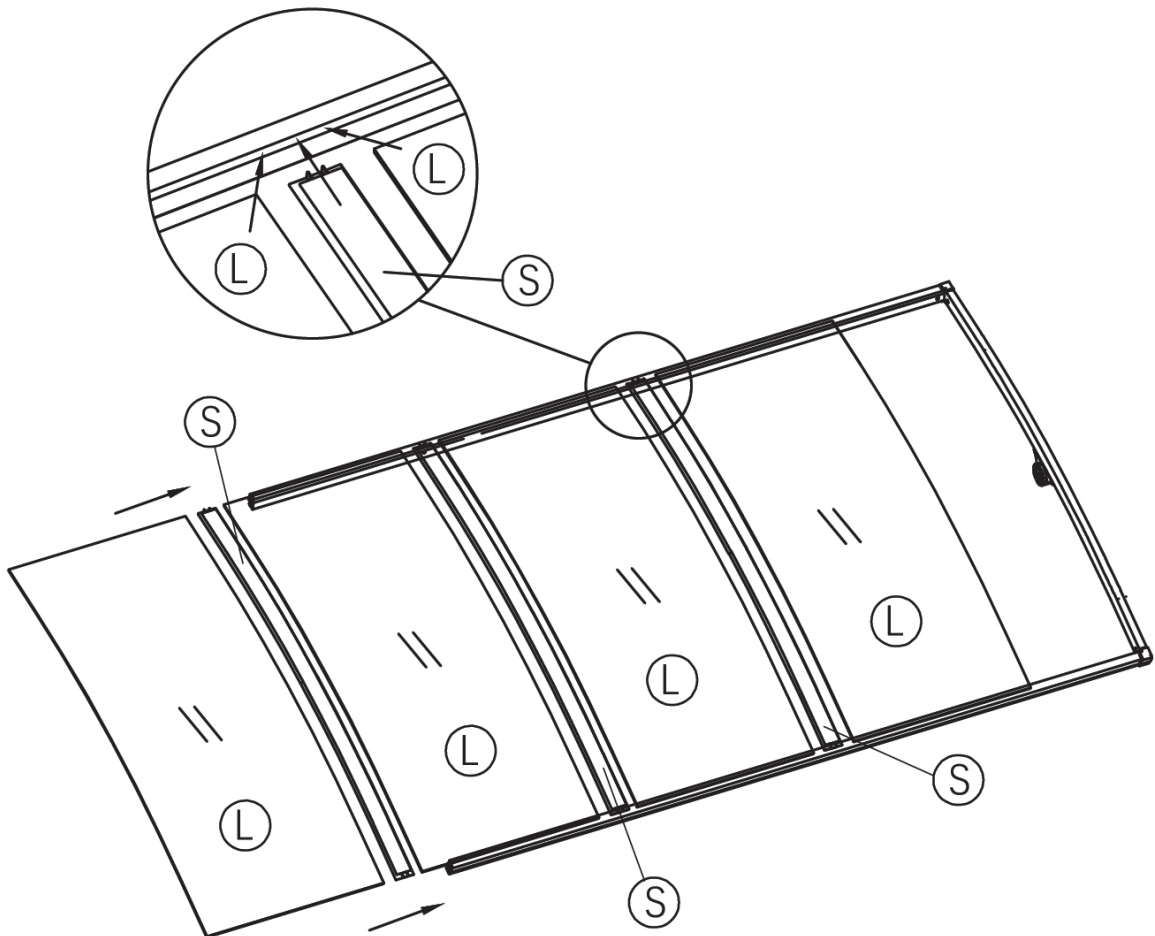
6



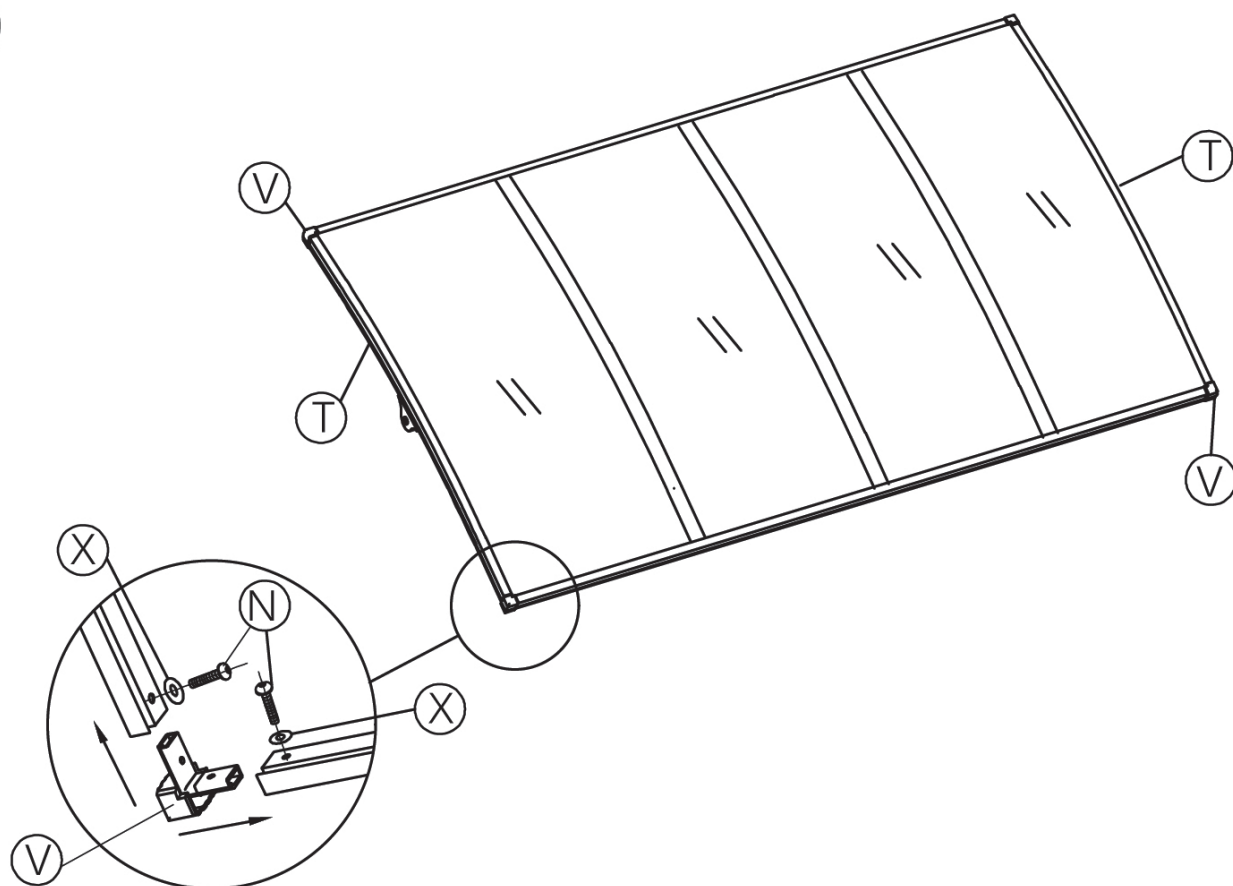
7



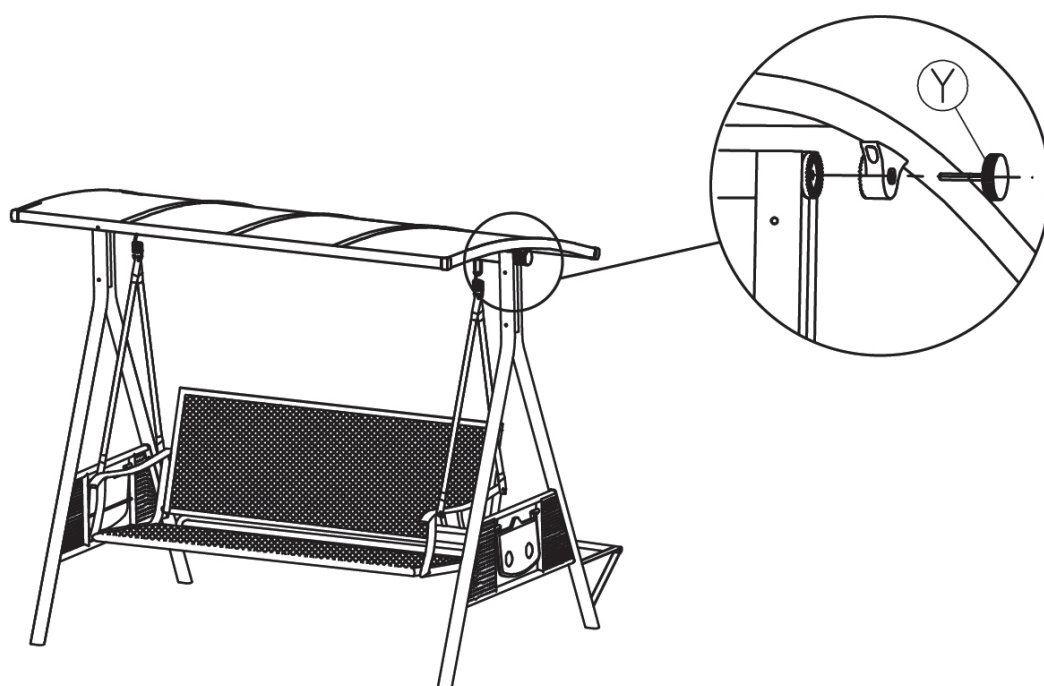
8



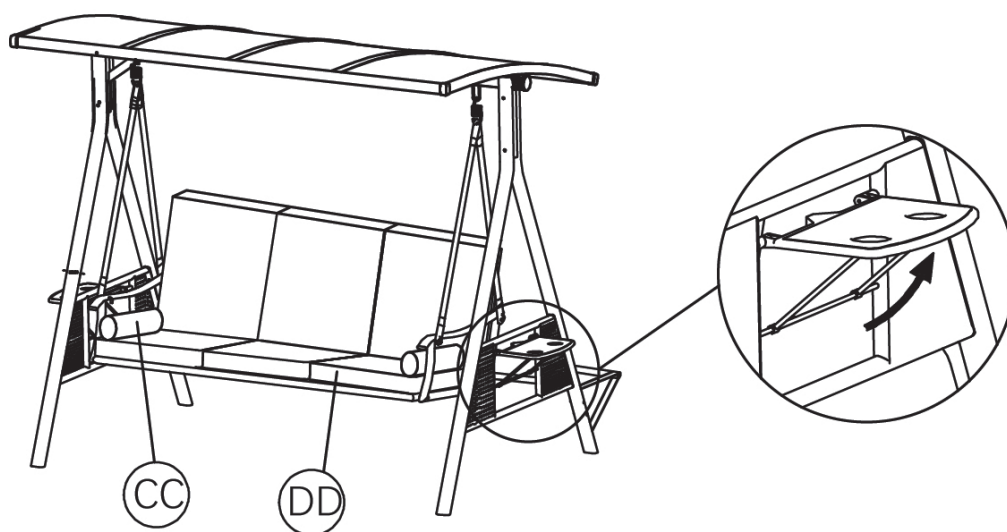
9



10



11



12

