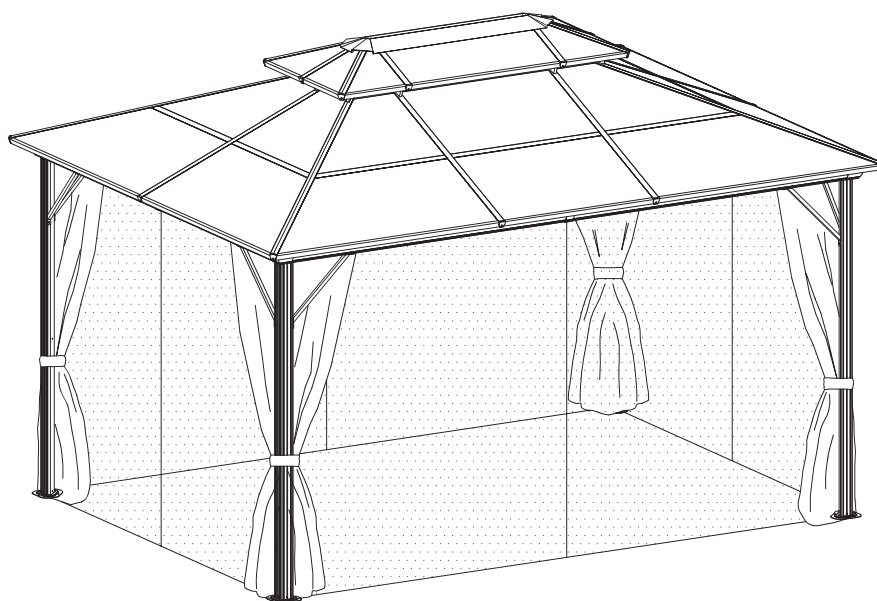


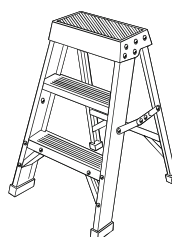
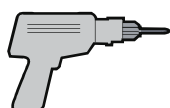
# 10 x13 FT

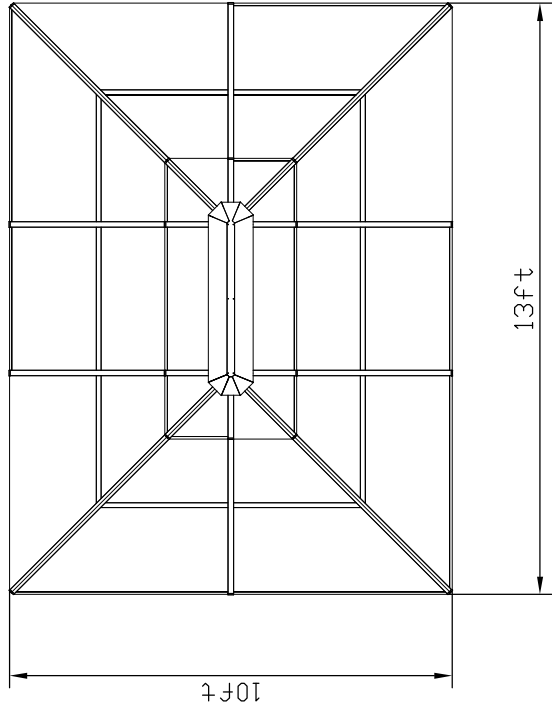
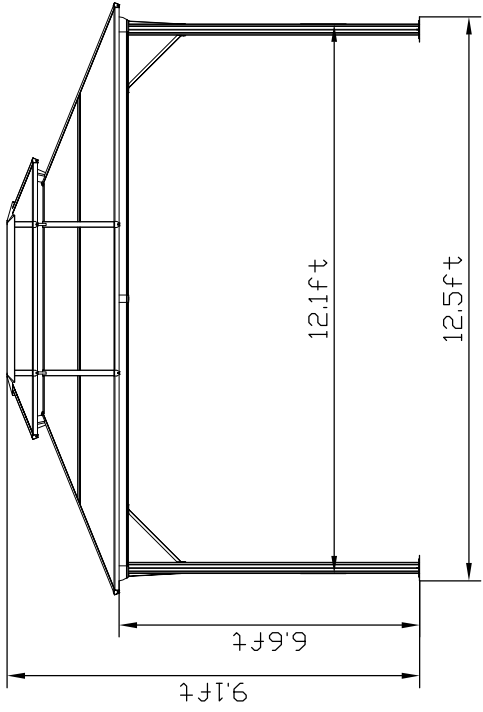
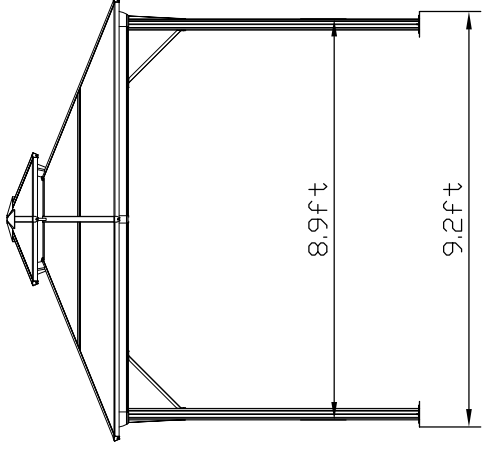
□ □ □ □ □ □ □ □ HWG - 011 □ □ □ □ □ □ □ □



At least need 3 person work together

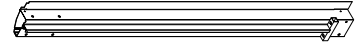
## REQUIRED TOOLS



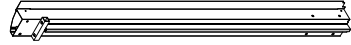




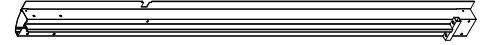
A 4x



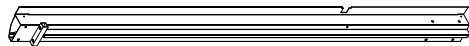
B 2x



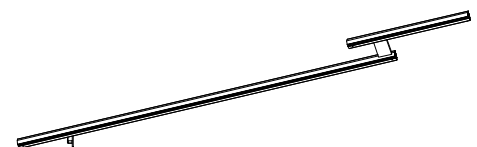
B1 2x



C 2x



C1 2x



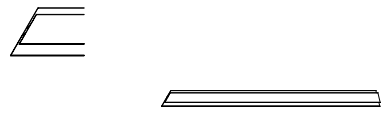
D 4x



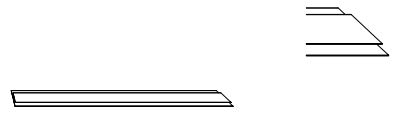
E 6x



F 2x



F1 4x



F2 4x



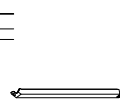
G 4x



G1 4x



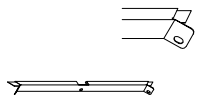
G2 4x



G3 4x



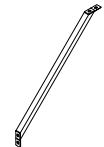
G4 4x



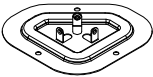
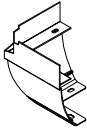

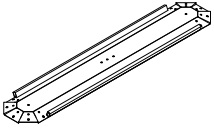
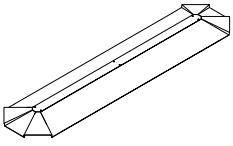


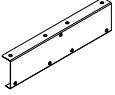
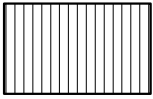
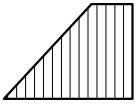
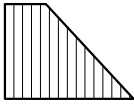
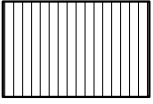
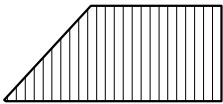
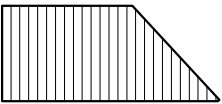
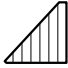

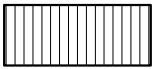
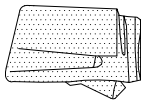
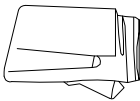

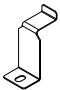







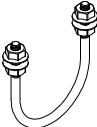
G5 2x



G6 2x



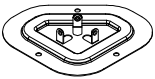
H 8x

			
(J) 4x	(K) 4x	(K1) 4x	(L) 1x
			
(M) 1x	(N) 12x	(N1) 12x	(P) 4x
			
(Q) 2x	(Q1) 4x	(Q2) 4x	(R) 2x
			
(R1) 4x	(R2) 4x	(R3) 4x	(R4) 4x
			
(R5) 2x	(S) 4x	(T) 4x	(U) 112x
			
(V) 4x	S4 1x		
			
M6x15 (1) 127x	M6x35 (2) 16x	M5x12 (3) 16x	ST4.8x12 (4) 24x
			
(5) 2x	(8) 12x	(10) 1x	

<1>



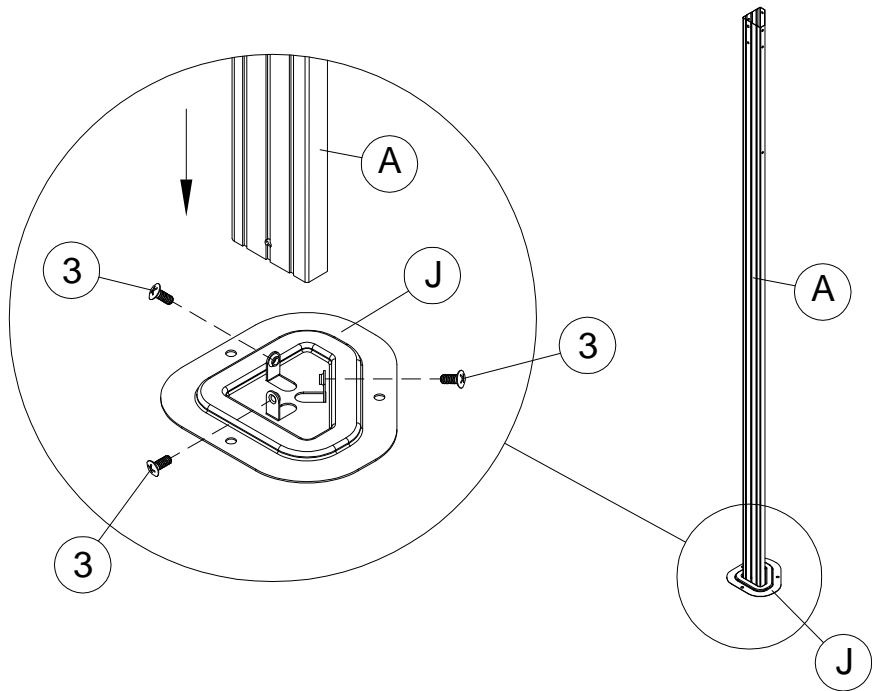
A 4x



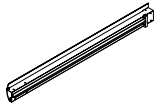
J 4x



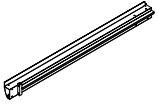
3 12x M5x12



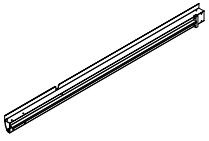
4



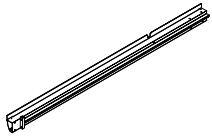
B 2x



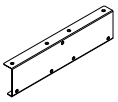
B1 2x



C 2x



C1 2x



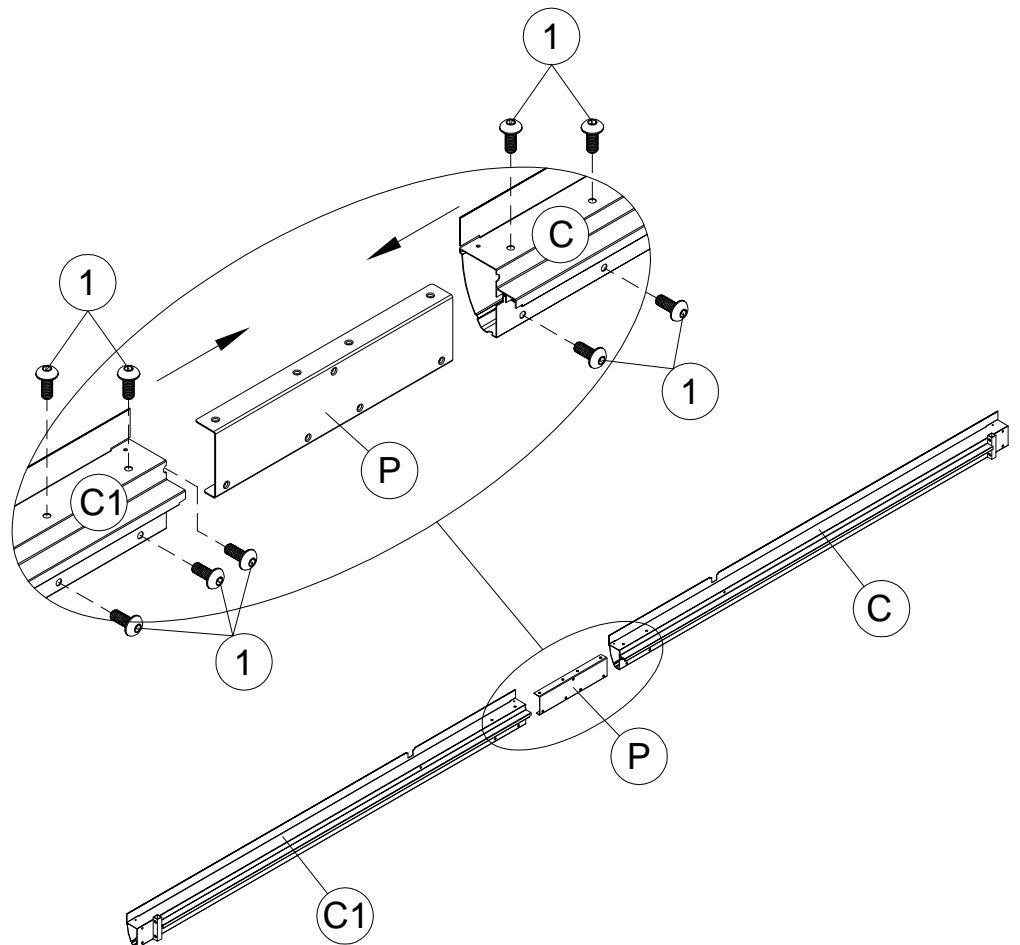
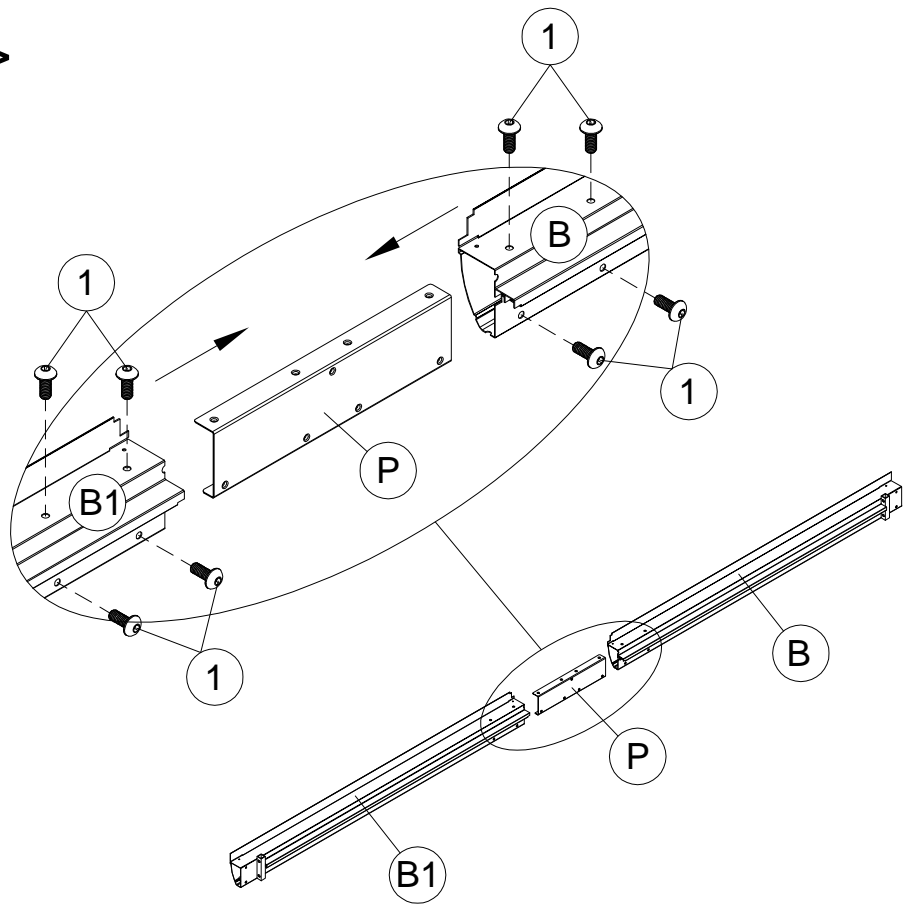
P 4x



1 34x M6x15

5

<2>



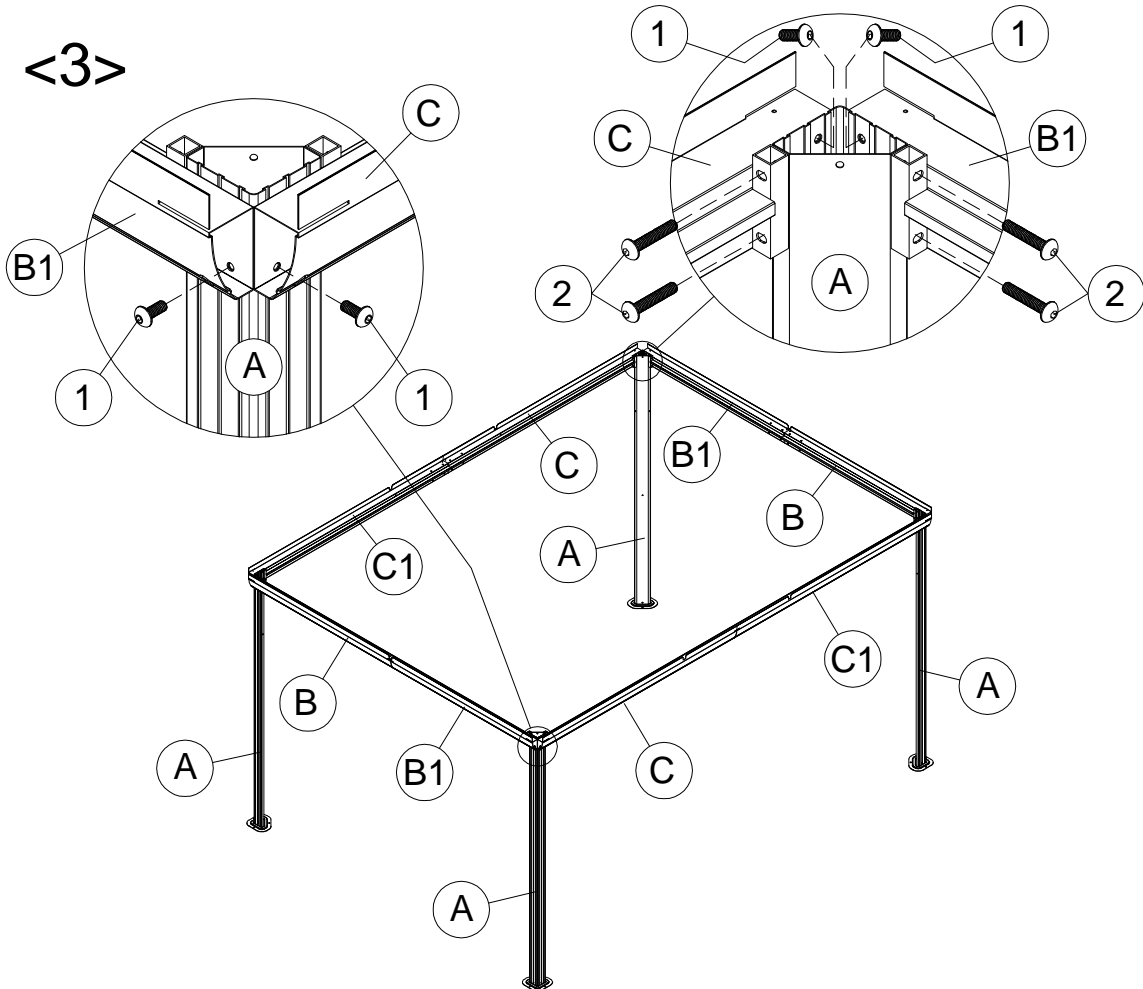


① 16x M6x15



② 16x M6x35

<3>

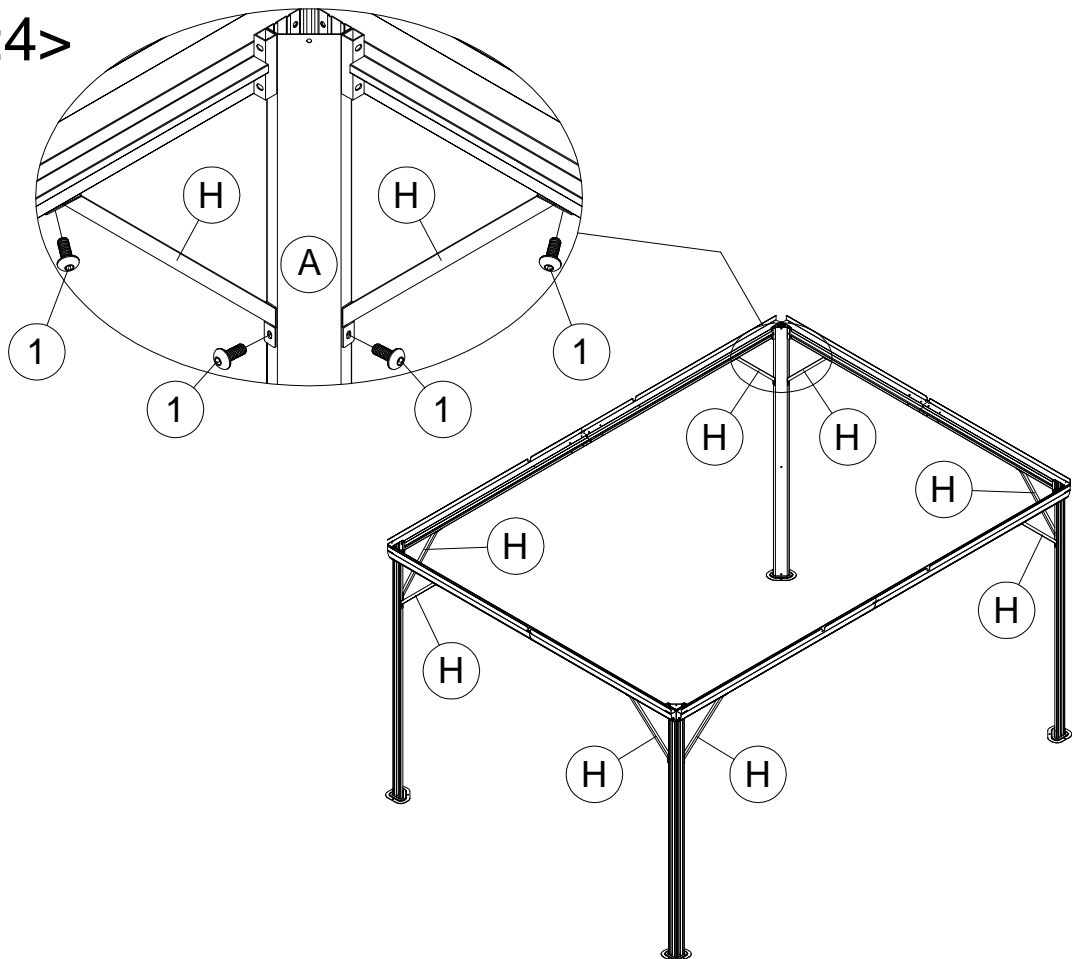


④ 8x H



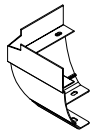
① 16x M6x15

<4>



6

<5>



K 4x



K1 4x



U 112x



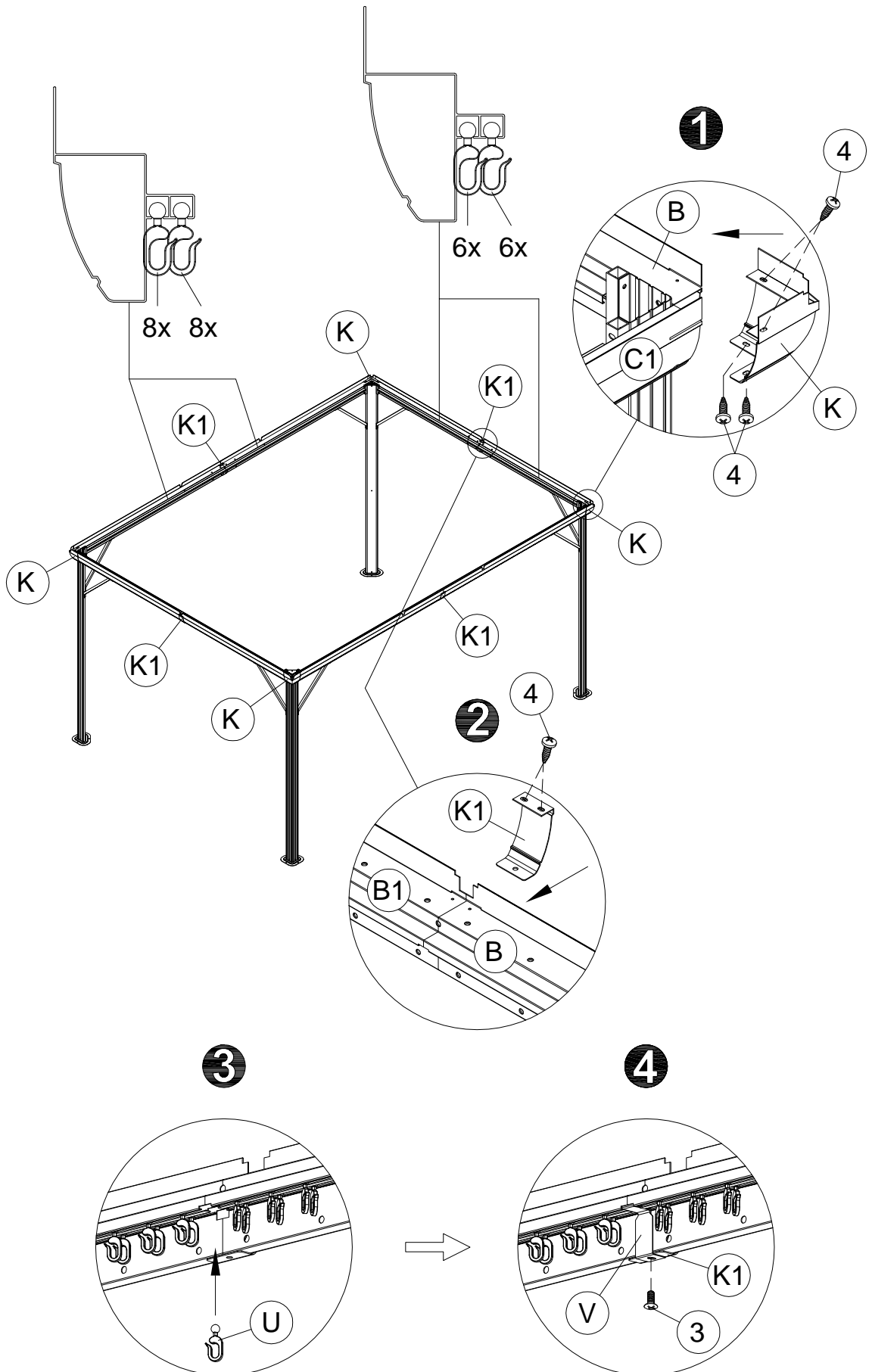
V 4x



3 4x M5x12



4 ST4.8x12  
24x



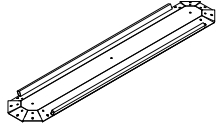
7





<6>

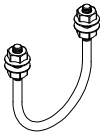
D 4x



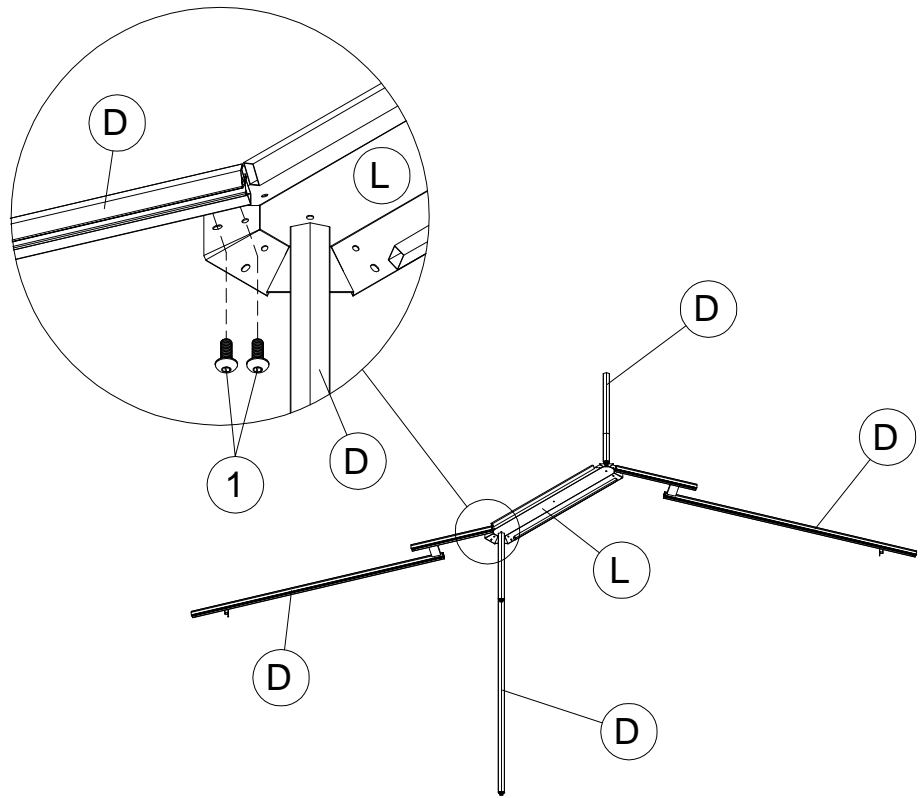
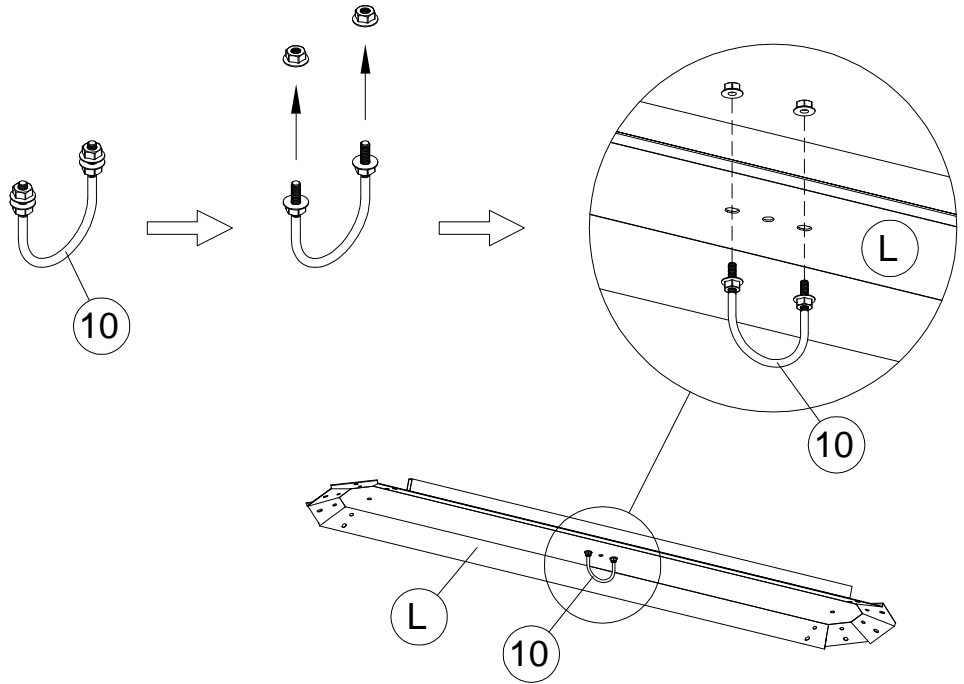
L 1x



1 8x M6x15



10 1x



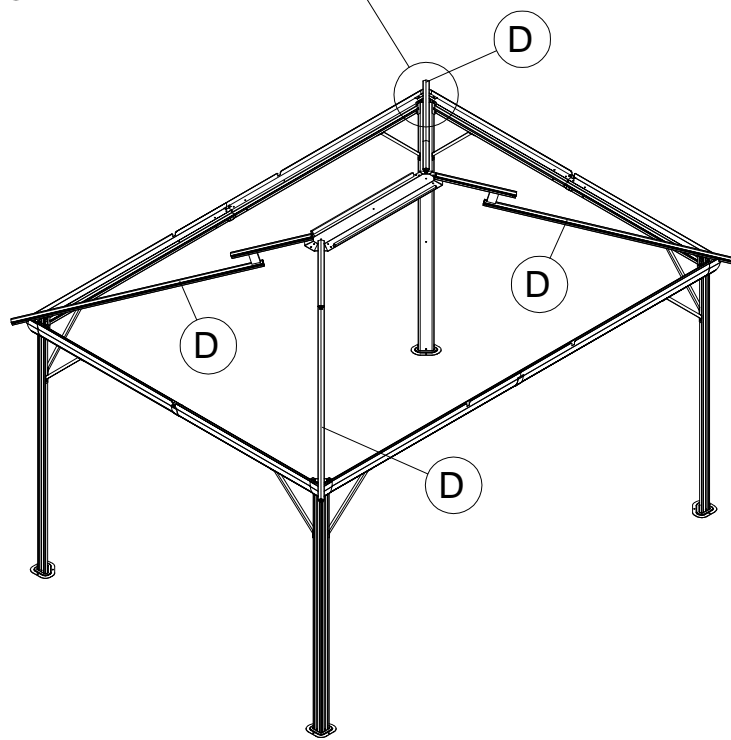
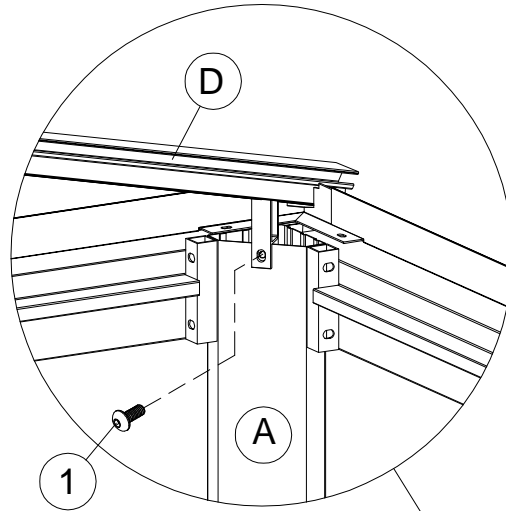


<7>

1

4x

M6x15



9

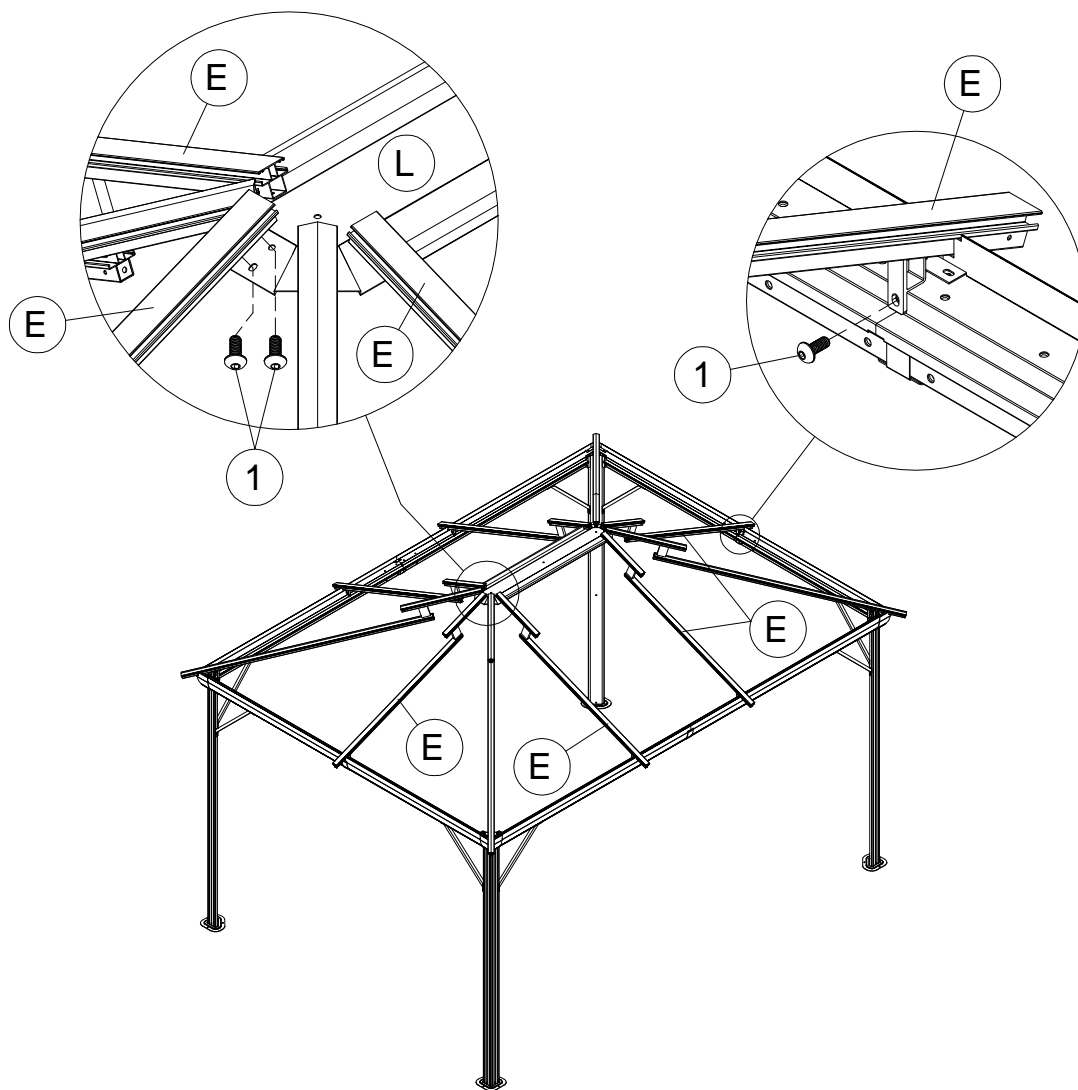


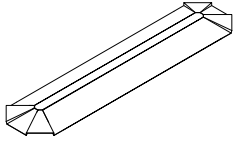
<8>

E 6x



M6x15  
1 18x





(M) 1x

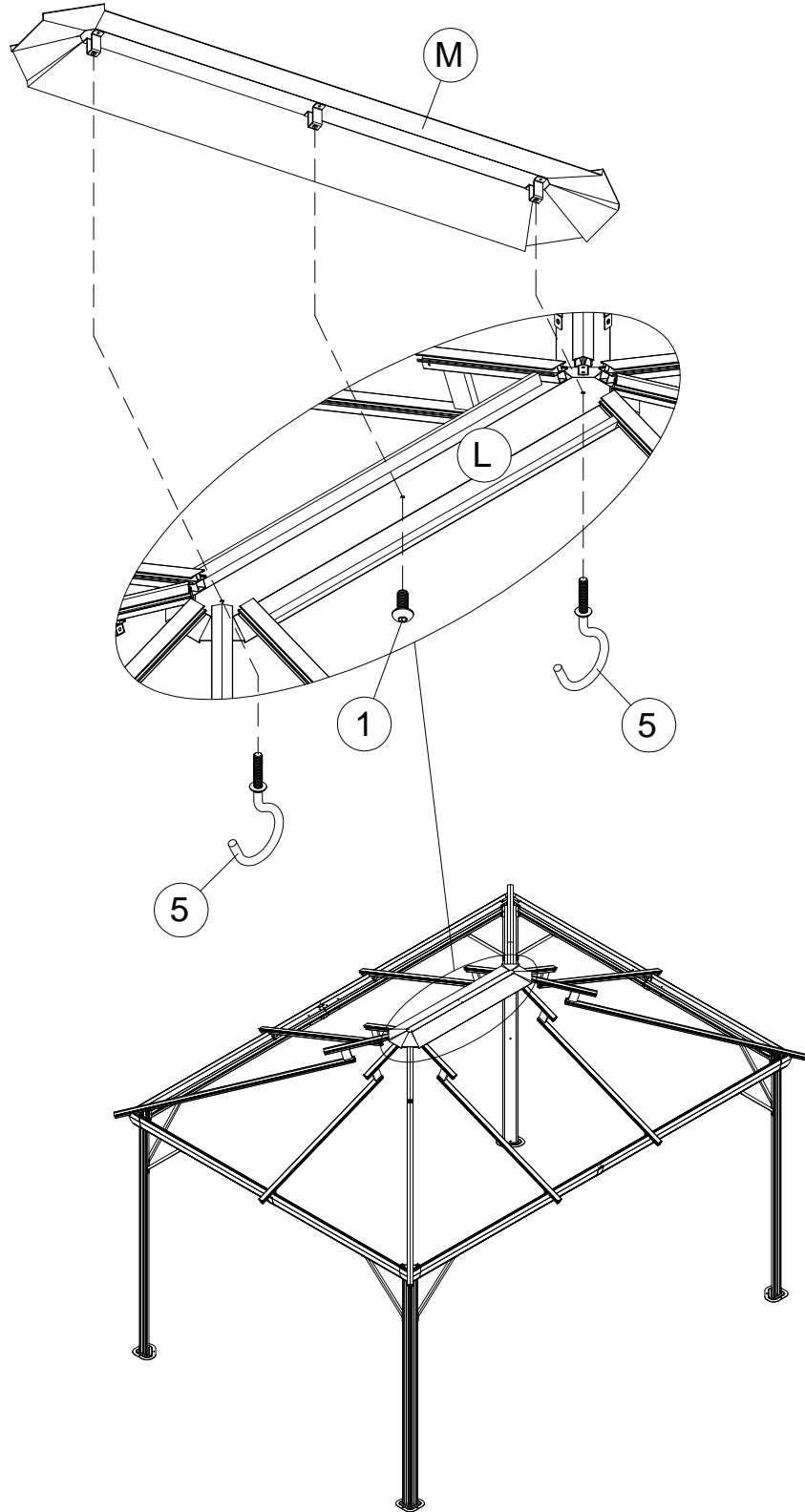


(1) 1x M6x15

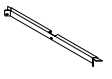


(5) 2x

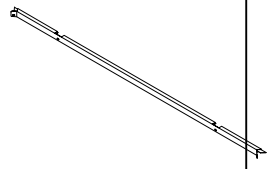
<9>



<10>



G5 2x



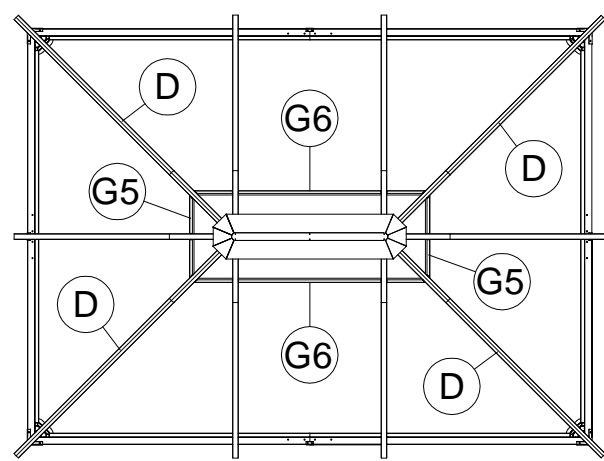
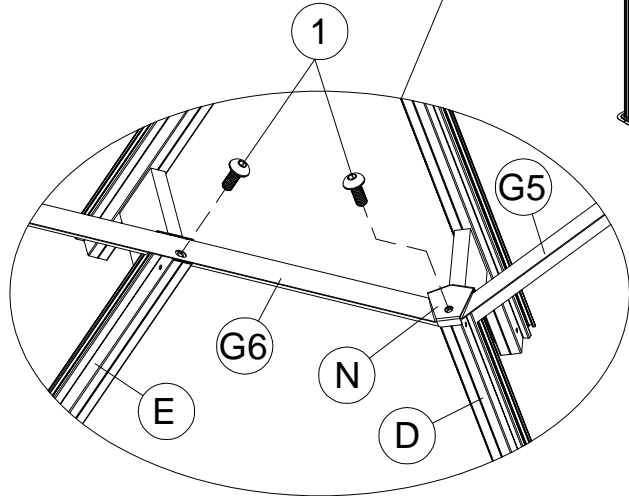
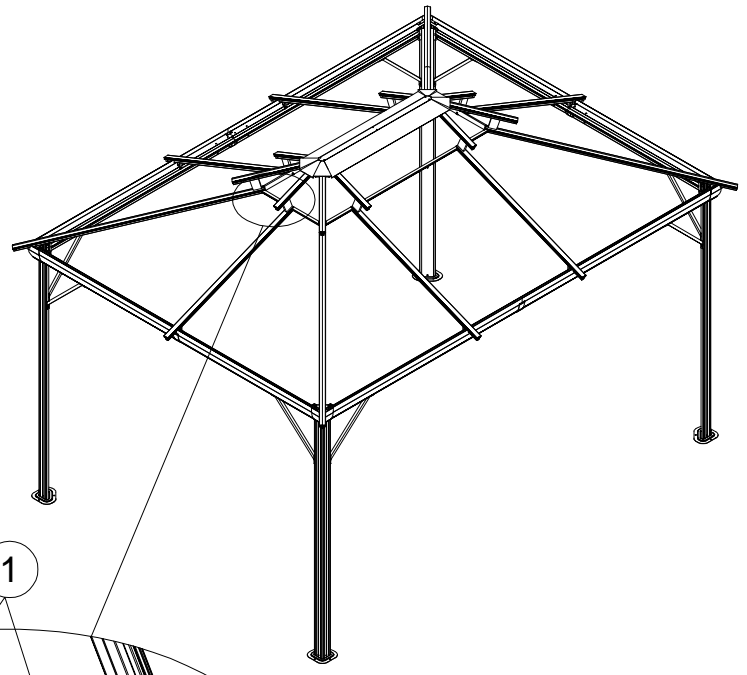
G6 2x



N 4x



1 10x M6x15



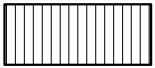


<11>

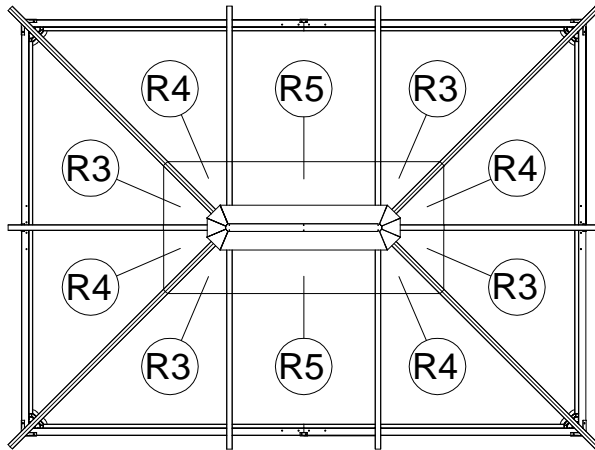
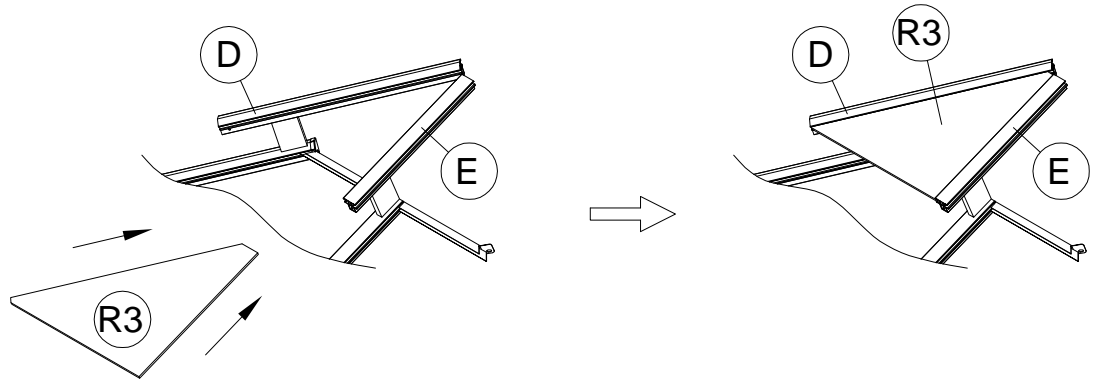
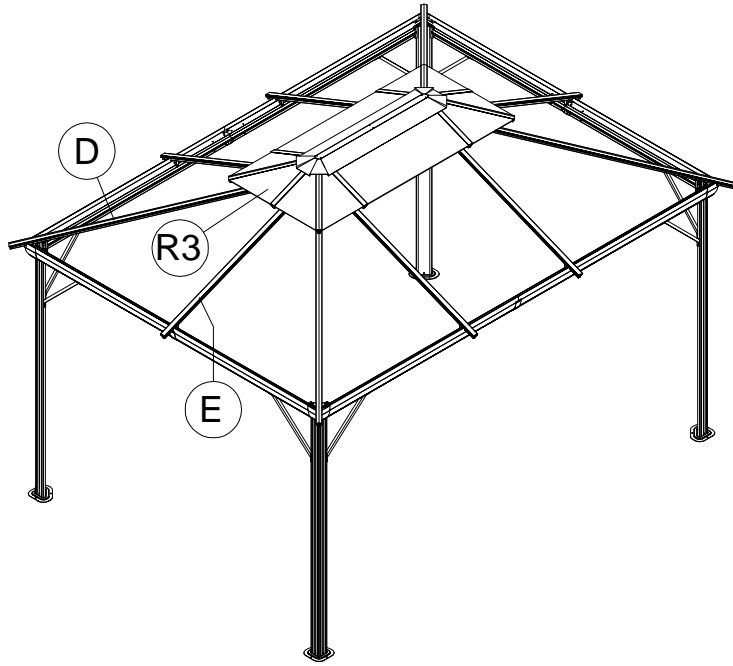
R3 4x



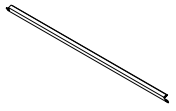
R4 4x



R5 2x



<12>



G 2x



G3 4x



G4 4x



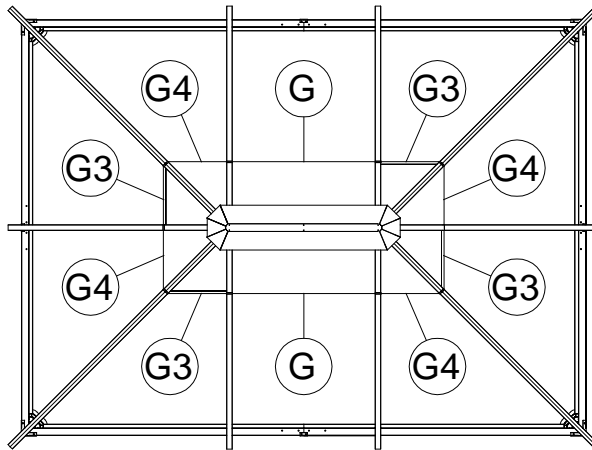
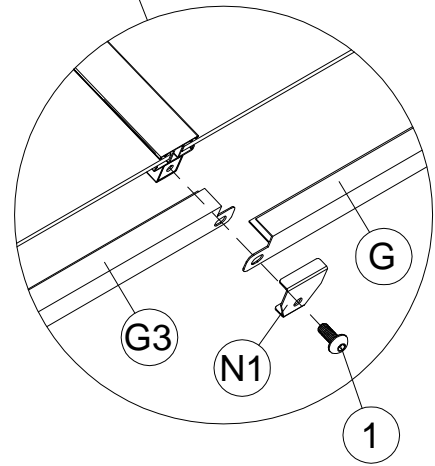
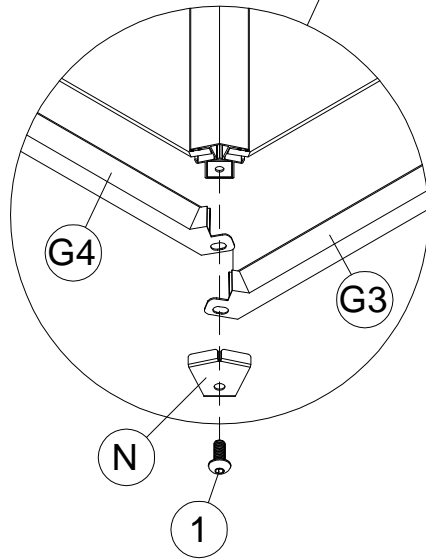
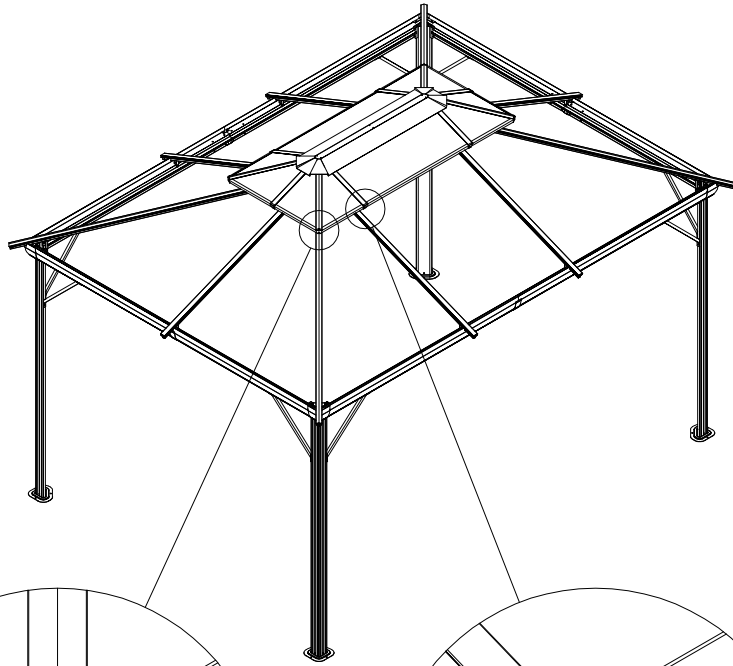
N 4x



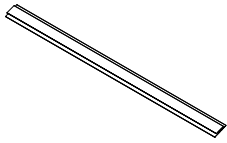
N1 6x



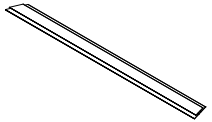
1 10x M6x15



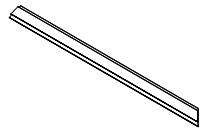
<13>



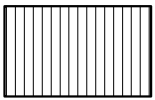
F 2x



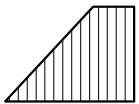
F1 4x



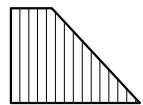
F2 4x



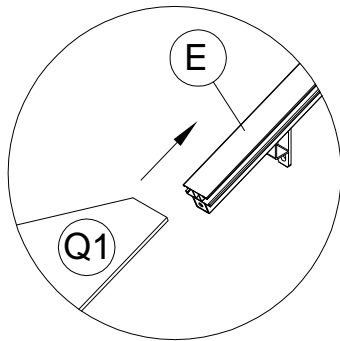
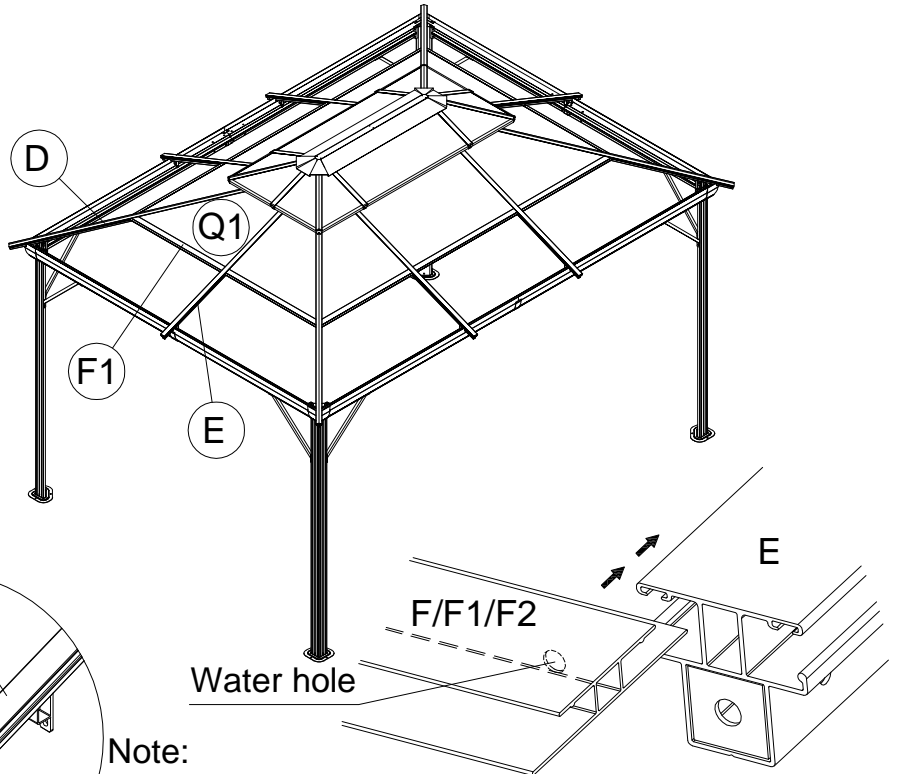
Q 2x



Q1 4x



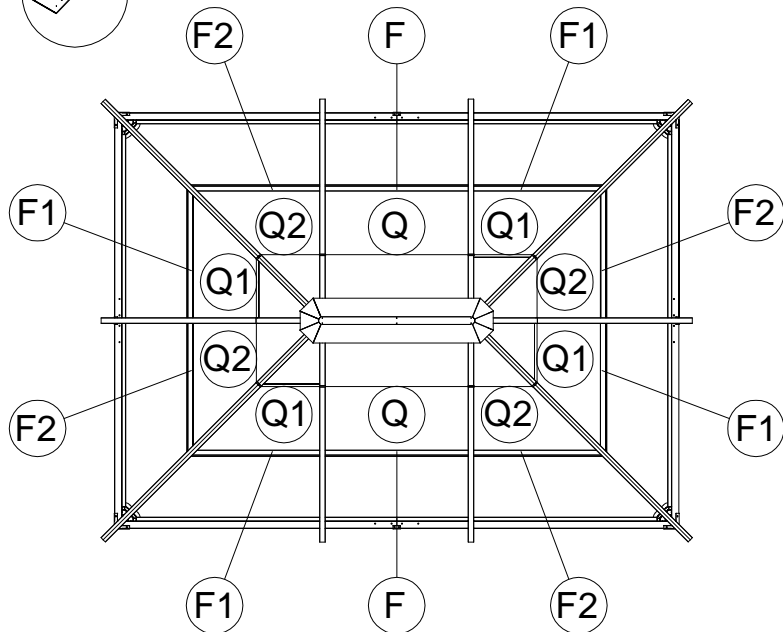
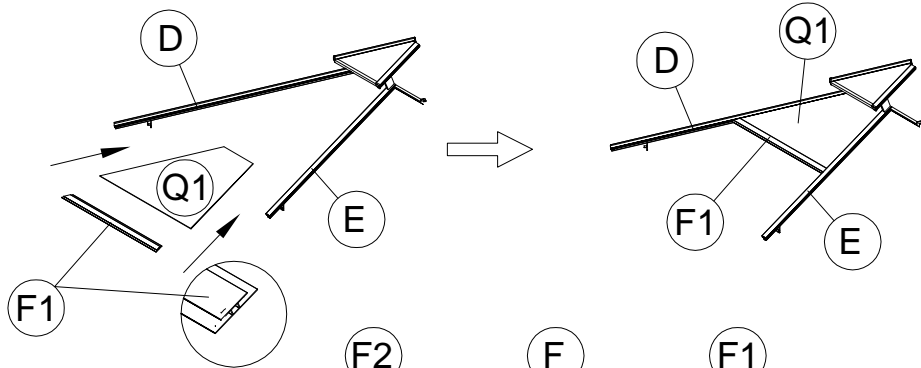
Q2 4x



Note:

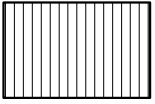
1. When F1 or F2 or F slide into the E, the wide side must be face down and narrow side face up, otherwise will cause water leaking

2. F or F1 or F2 the water holes inside of the tube must be face up. otherwise will cause water leaking

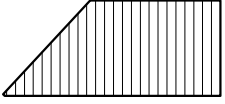




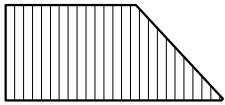
<14>



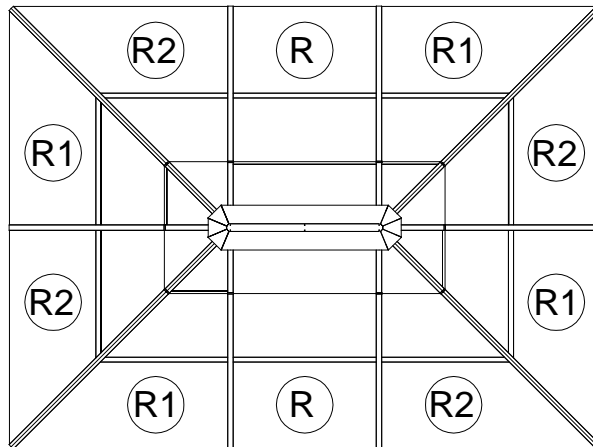
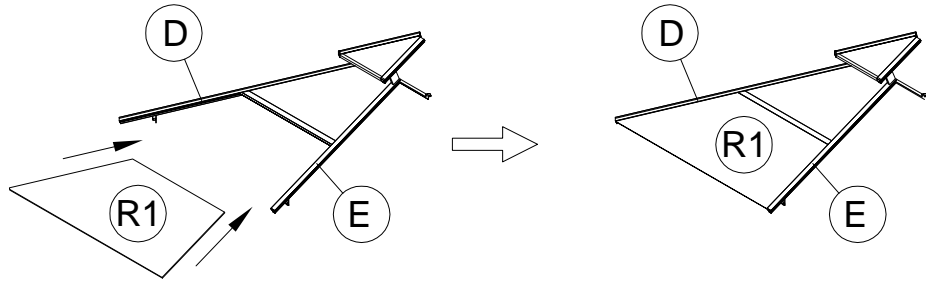
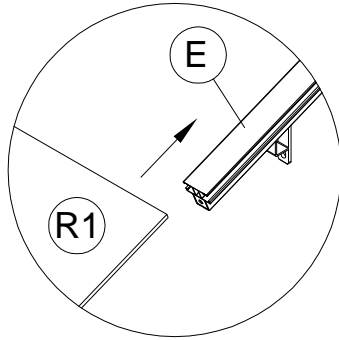
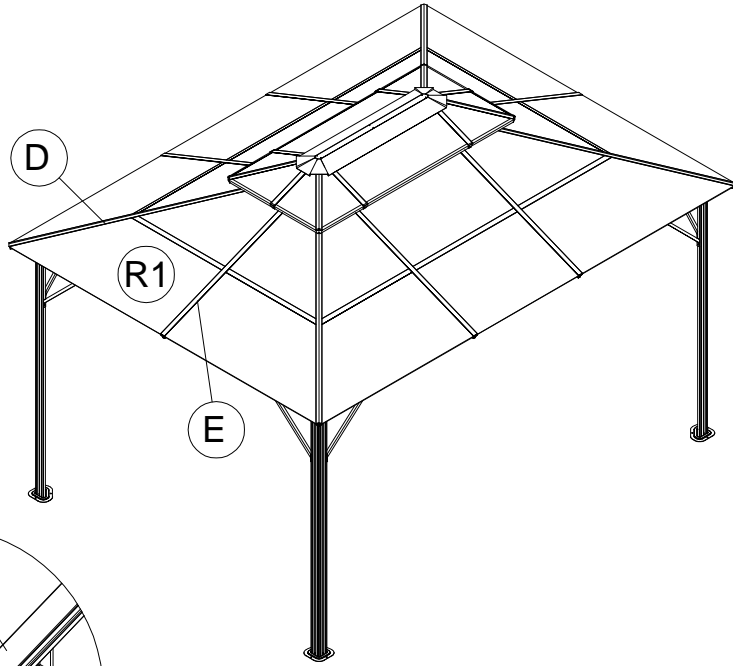
R 2x



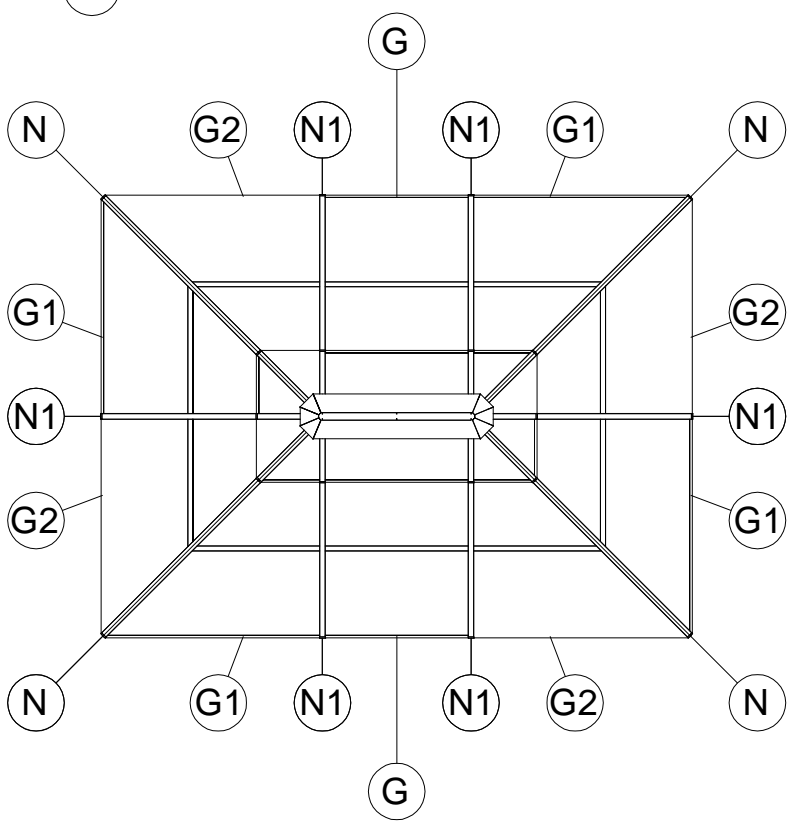
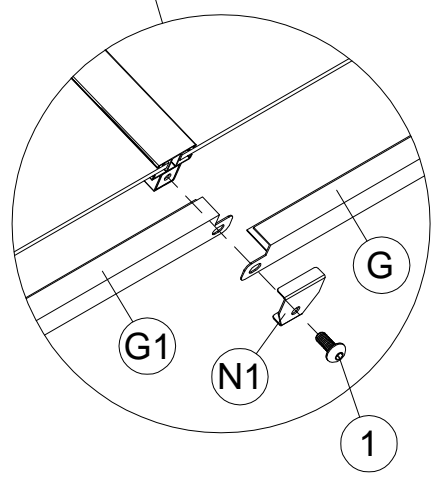
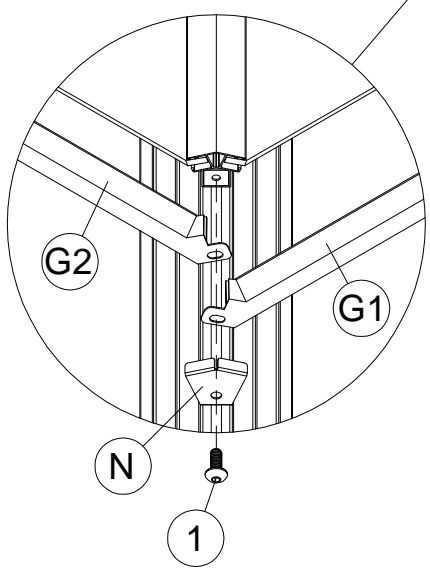
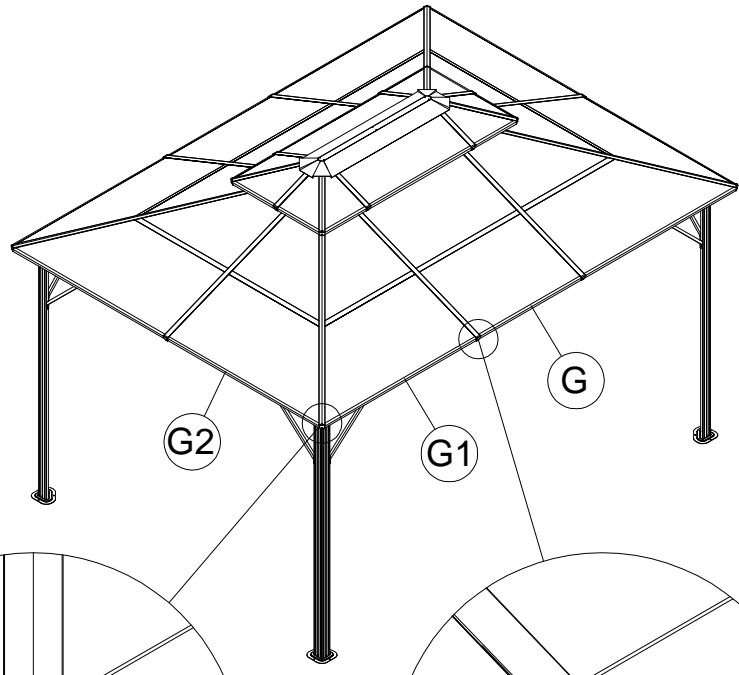
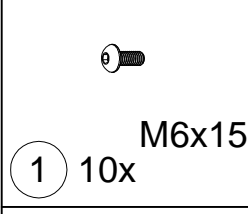
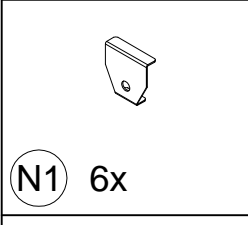
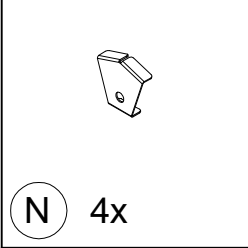
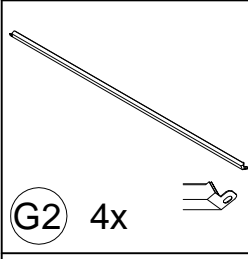
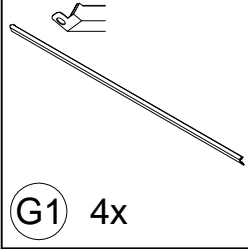
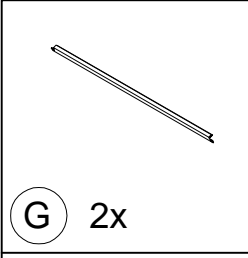
R1 4x

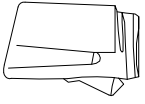


R2 4x



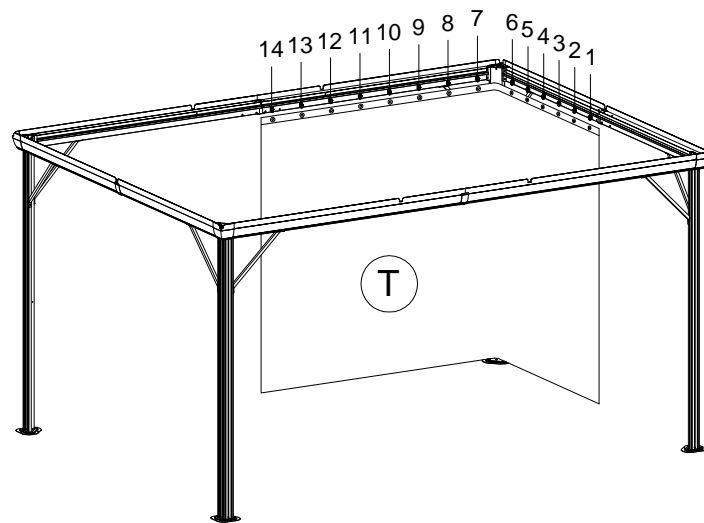
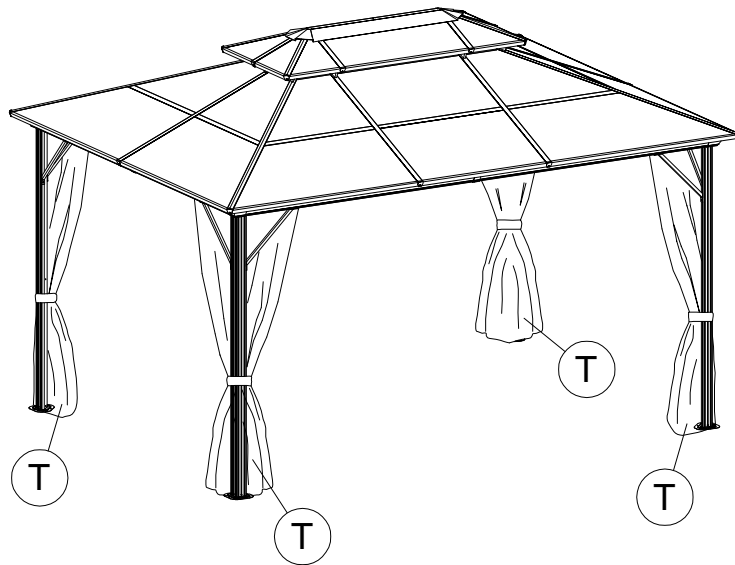
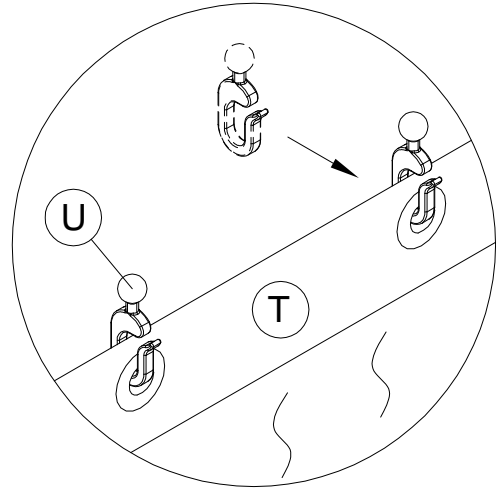
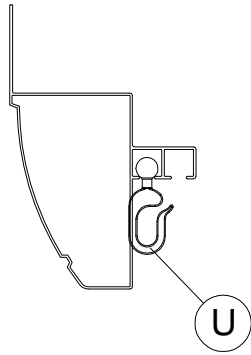
<15>

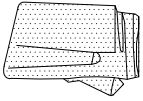




<16>

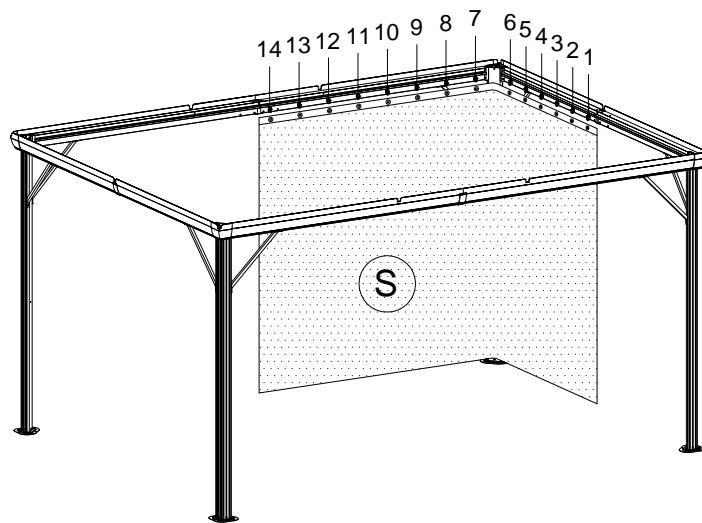
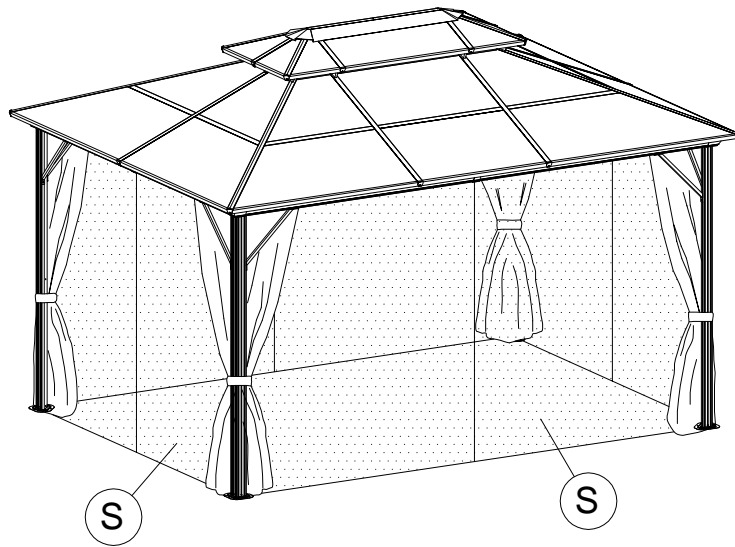
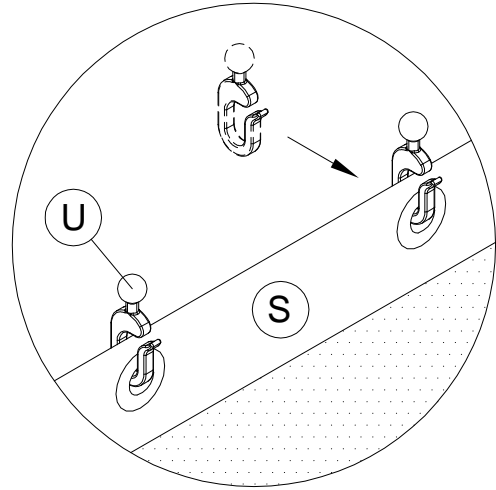
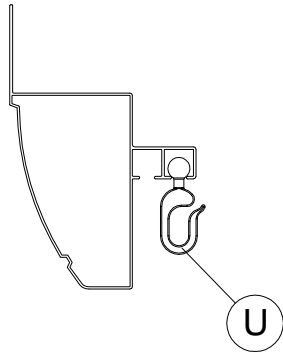
T 4x

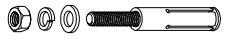




<17>

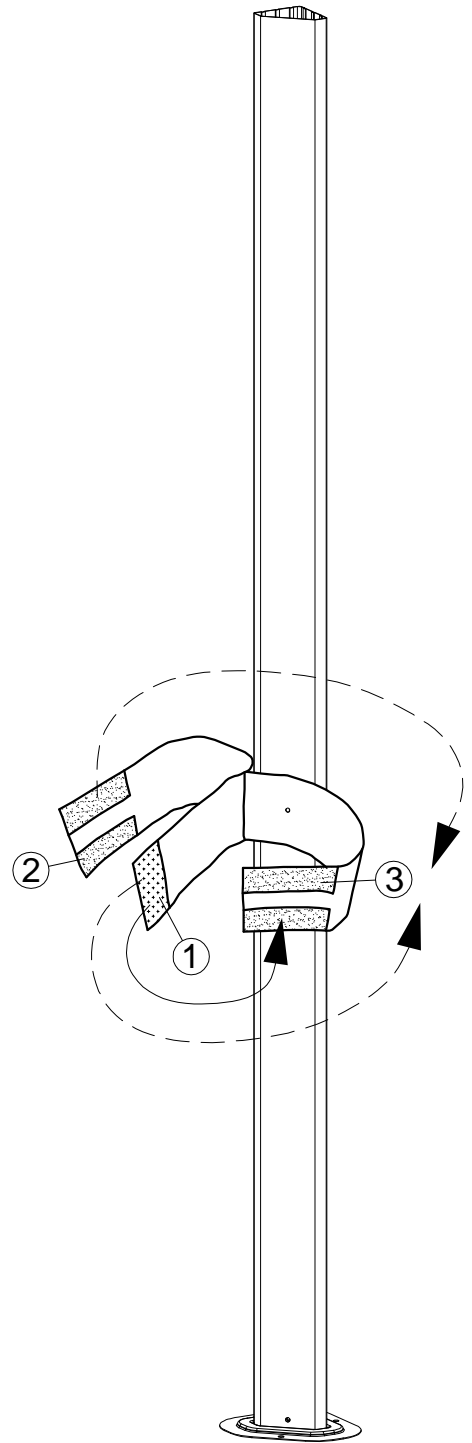
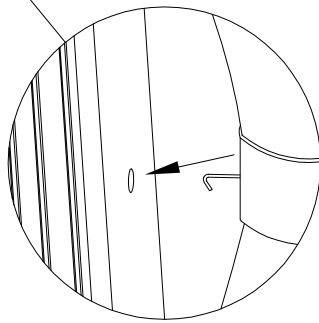
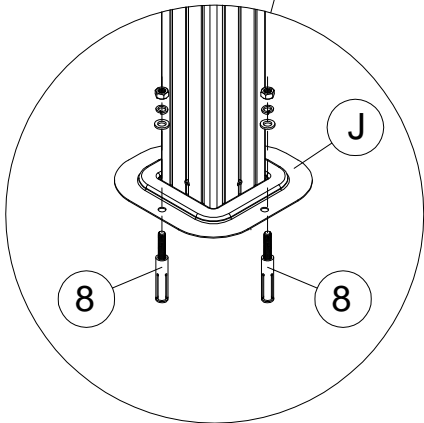
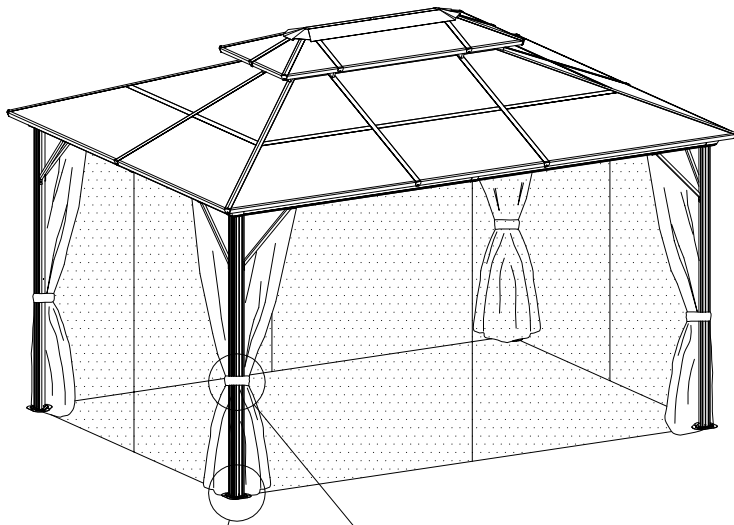
S 4x





<18>

8 12x



Note:

1. 1 stick 2 tie S and T together
2. 1 stick 3 towards back tie T
3. 1 stick 3 towards front tie S