

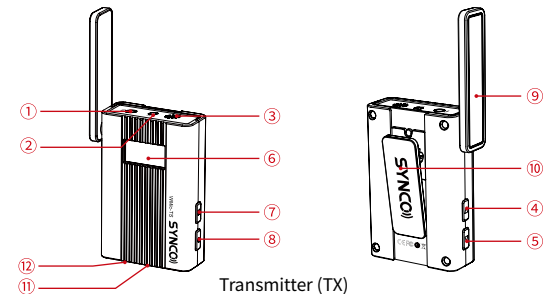
Microphone WMic-TS >>> User Manual

Thank you for choosing SYNCO product.
Please read this manual carefully before use and follow all instructions mentioned herein.

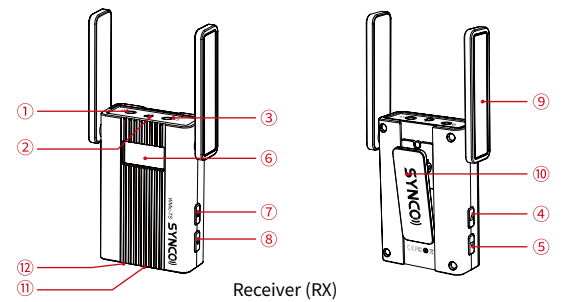
Caring For Your SYNCO Product

- Please keep the product in a dry, clean, dust-free environment.
- Keep corrosive chemicals, liquids and heat source away from the product to prevent mechanics damage.
- Use only a soft and dry cloth for cleaning the product.
- Malfunction may be caused by dropping, impact of external force.
- Do not attempt to disassemble the product. Doing so voids warranty.
- Please have the product checked or repaired by authorized technicians if any malfunctions happened.
- Failure to follow all the instructions may result in mechanics damage.
- Warranty does not apply to human errors.

Product Instruction



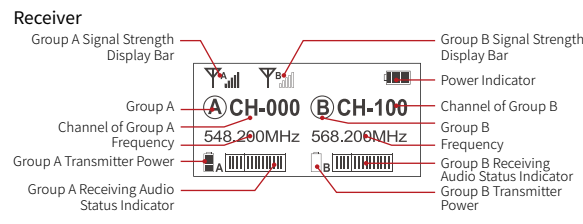
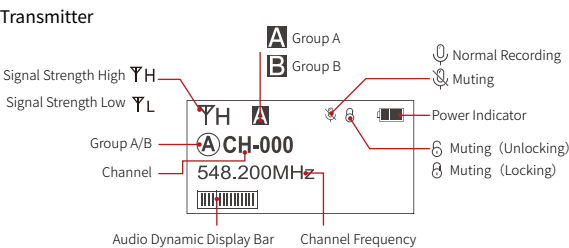
- | | |
|-------------------------------|-------------------------------|
| ① 3.5mm Mic Input | ⑦ Menu |
| ② IR Indicator | ⑧ Power Button |
| ③ Built-in Mic | ⑨ Antenna |
| ④ Function Selection Button △ | ⑩ Belt Clip |
| ⑤ Function Selection Button ▽ | ⑪ Type-C Port |
| ⑥ OLED Screen | ⑫ Reset (Help with Eject Pin) |



- | | |
|---------------------------------|-------------------------------|
| ① 3.5mm Audio Output Socket | ⑦ Menu |
| ② IR Indicator | ⑧ Power Button |
| ③ 3.5mm Audio Monitoring Socket | ⑨ Antenna |
| ④ Function Selection Button △ | ⑩ Belt Clip |
| ⑤ Function Selection Button ▽ | ⑪ Type-C Port |
| ⑥ OLED Screen | ⑫ Reset (Help with Eject Pin) |

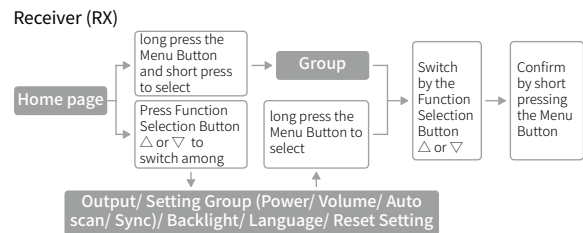
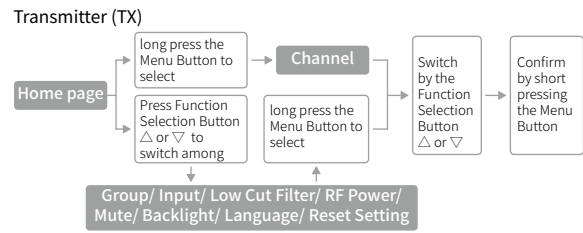
⚠ Please unfold the TX & RX antennas when using for optimal performance.

Screen Display



Operation Instructions

1. Fix the RX on your device via belt clip or cold shoe adapter
2. Connect the RX with your device via the 3.5mm TRS Camera Cable or 3.5mm TRRS Phone Cable
3. Press the Power Button for 2 seconds to initiate the system



4. IR synchronize the wireless system (Take Group A transmitter for example)

Receiver (RX)	Transmitter (TX)
1)Direct the IR Indicator of the RX at that of the TX with a distance of 15-30cm	
2)Confirm that Setting Group is A, Group A Power is On	2)Confirm that the TX is Group A transmitter
3)Press Function Selection Button to Sync setting and long press Menu Button to enter	/
4)Switch to "Yes" by Function Selection Button and short press Menu Button to perform	/

⚠ Two transmitters should not use the same Group, otherwise, interference is caused.

Specifications

◆ Transmitter (TX)

Channels	60
Group A Wireless Frequency	525.000MHz~539.750MHz
Group B Wireless Frequency	540.000MHz~554.750MHz
Working Distance	150m (LOS), 80m (NLOS)
Latency	<20ms
RF Output Power	15dBm
Stray Radiation	<-60dBc
Input	Built-in Mic/External Mic
Low-cut Filter	100Hz
Battery	1300mAh Rechargeable Li-ion Battery
Working Time	8.5H
Charging Time	3H
Antenna	PCB Antenna
Dimensions	75.5×64×21.5mm
Weight	62g
Operating Temperature	-20°C~70°C
Storage Temperature	-20°C~70°C

◆ Receiver (RX)

Group A Wireless Frequency	525.000MHz~539.750MHz
Group B Wireless Frequency	540.000MHz~554.750MHz
Working Distance	150m (LOS), 80m (NLOS)
Latency	<20ms
Receiving Sensitivity	-95dBm
Stray Radiation	<-60dBc
SNR	88dB
Audio Output Jack	1 x 1/8" / 3.5 mm TRS Line Out 1 x 1/8" / 3.5 mm TRS Headphone Output
Audio Output	Mono/Stereo
Volume (Gain)	15 Levels Adjustable Volume
Battery	1300mAh Rechargeable Li-ion Battery
Working Time	8.5H
Charging Time	3H
Antenna	PCB Antenna
Dimensions	75.5×64×21.5mm
Weight	72g
Operating Temperature	-20°C~70°C
Storage Temperature	-20°C~70°C

◆ External Lavalier Microphone

Form Factor	1 x 1/8" / 3.5 mm TRS Male Unbalanced (Lockable)
Sound Field	Mono
Polar Pattern	Omni-directional
Frequency Range	20Hz-20KHz
Sensitivity	-38dB

Warranty

Warranty Period

Thank you for purchasing SYNCO products.

1. Customers are entitled to free replacement or repair service in case of quality defect(s) found in the product under normal use within 30 days upon receipt of the product.

2. Original SYNCO products are entitled to 12-month limited warranty service. The warranty period begins on the date of purchase of brand new, unused products by the first end-user.

Within the warranty period, if product defect or failure is attributable to material deflection or technological problem, the defective product or defective part will be repaired or replaced without charge (service and materials fee).

Warranty Exclusions and Limitations

- Faults resulted from inappropriate use of a product without following its operation specification
- Artificial damage, e.g. crash, squeeze, scratch, or soaking
- Modifications to a product by its user or a third party without prior written consent of SYNCO, e.g. replacement of element or circuit, label alteration
- The code on product is inconsistent with that of warranty certificate, or the code on the product or warranty certificate is altered or torn off
- All consumable accessory attached to a product, like cable, wind muff, battery
- Faults as a result of force majeure, such as fire, flood, lightning, etc.

Warranty Claim Procedure

- If failure or any problem occurs to your product after purchase, please contact a local agent for assistance, or you can always contact SYNCO's customer service through email at support@syncoaudio.com.
- Please retain your sales receipt and warranty certificate as proof of purchase. If any of these documents is missing, only sales return or chargeable service will be provided.
- If the SYNCO product is out of the warranty coverage, the service and the parts cost will be charged.

WARRANTY CERTIFICATE

Please register your warranty. Meanwhile, you are welcomed to contact us via Email: support@syncoaudio.com

USER INFORMATION	Customer Name:
	Phone Number:
	Email:
SALES INFORMATION	Address:
	Sales Date:
	Model:
	Product Code:
REPAIR RECORD	Dealer:
	Service Date:
	Technician:
	Issue:

RESULT

Solved

Unsolved

Returned(Replaced)

Guangzhou Zhiying Technology Co., Ltd

📍 Block 15th, No.200 Fangcun Avenue East, Liwan District, Guangzhou, China, 510000

✉ support@syncoaudio.com

🌐 www.syncoaudio.com

🌐 <https://www.facebook.com/syncomicrophones>