

Matrix 600
Wireless Video Transmission System

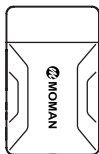
User Manual

Thank you for choosing MOMAN product. Please read this manual carefully before use and follow all instructions mentioned herein.

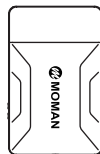
Caring For Your MOMAN Product

- Please keep the product in a dry, clean, dust-free environment.
- Keep corrosive chemicals, liquids and heat source away from the product to prevent mechanics damage.
- Use only a soft and dry cloth for cleaning the product.
- Malfunction may be caused by dropping, impact of external force.
- Do not attempt to disassemble the product. Doing so voids warranty.
- Please have the product checked or repaired by authorized technicians if any malfunctions happened.
- Failure to follow all the instructions may result in mechanics damage.
- Warranty does not apply to human errors.

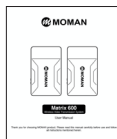
Package List



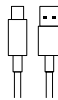
Transmitter*1



Receiver*1

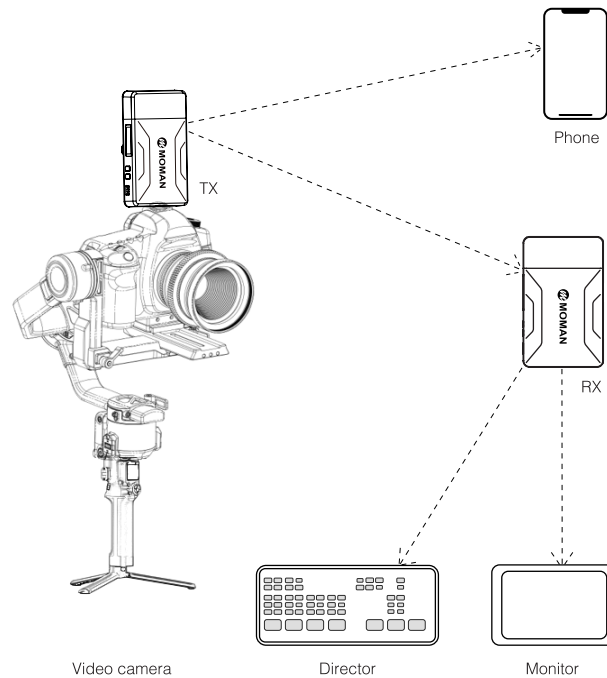


User Manual*1

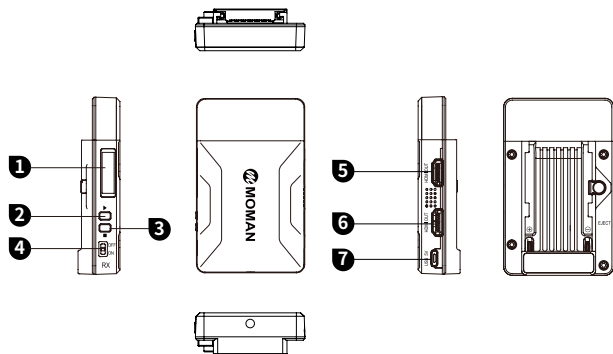


Type-c power cable*1

How to use



Product Description



1 OLED Display screen

2 Direction button

3 Menu button

4 Power switch

5 HDMI Output(TX/RX)

6 HDMI Input(TX)/Output(RX)

7 USB-C Port

How to Connect Moman Matrix APP

A Download "MomanMatrix" APP on Apple Appstore.

B Long press **3** Key for 3 seconds to enter menu.

C Press **3** Key to choose SSID to show the account and password of the TX, enter them on the box.

Technical Parameters

	Transmitter	Receiver
Interface	HDMI Input/HDMI Output	HDMI Output*2
Powered By	5V DC/NP-F Battery	5V DC/NP-F Battery
Power consumption	<3W	<2.5W
HDMI Input	720P@50/60Hz 1080I@50/60Hz 1080P@24/25/30/50/60Hz	/
HDMI Output	720P@50/60Hz 1080I@50/60Hz 1080P@24/25/30/50/60Hz	720P@50/60Hz 1080I@50/60Hz 1080P@24/25/30/50/60Hz
Weight	120g	120g
Size	103*63.5*16mm	103*63.5*16mm
Transmission frequency band	5GHz	
Transmit power	17dBm	
Transmission delay	80ms, Noisy RF environment 120ms typical	
Receiving sensitivity	-80dBm	

How to Pair Transmitter and Receiver

1. Switch to "ON", turn on the video transmitter, and wait until you see the number of channel.



2. Long press Menu Button for 3 seconds to enter menu. Press the Menu Button to choose "PAIRING".



3. Press the Menu Button again, then press Direction Button to switch to "ON", and press Menu Button again.



4. Make sure to do the same process in Receiver and Transmitter. It will show "OK" on both sides after the pairing is done.



Moman (UK) Limited

Unit 25 Basepoint Business Centre, Aviation Park, West Christchurch,
United Kingdom BH23 6NX

www.momanx.com

@MomanGlobal

https://moman.co/youtube