

Matrix 600s

Wireless Video Transmission System

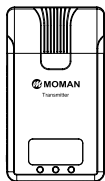
User Manual

Thank you for choosing MOMAN product. Please read this manual carefully before use and follow all instructions mentioned herein.

Caring For Your MOMAN Product

- Please keep the product in a dry, clean, dust-free environment.
- Keep corrosive chemicals, liquids and heat source away from the product to prevent mechanics damage.
- Use only a soft and dry cloth for cleaning the product.
- Malfunction may be caused by dropping, impact of external force.
- Do not attempt to disassemble the product. Doing so voids warranty.
- Please have the product checked or repaired by authorized technicians if any malfunctions happened.
- Failure to follow all the instructions may result in mechanics damage.
- Warranty does not apply to human errors.

Package List



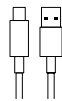
Transmitter*1



Receiver*1

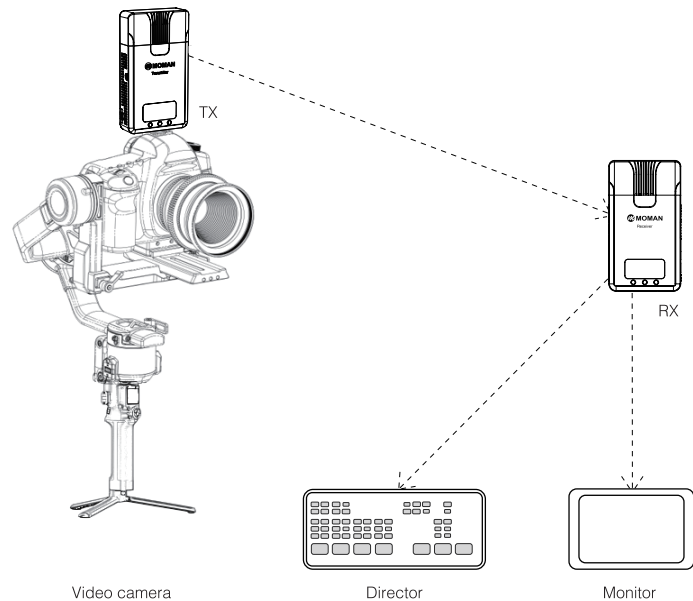


User Manual*1



Type-c power cable*1

How to use

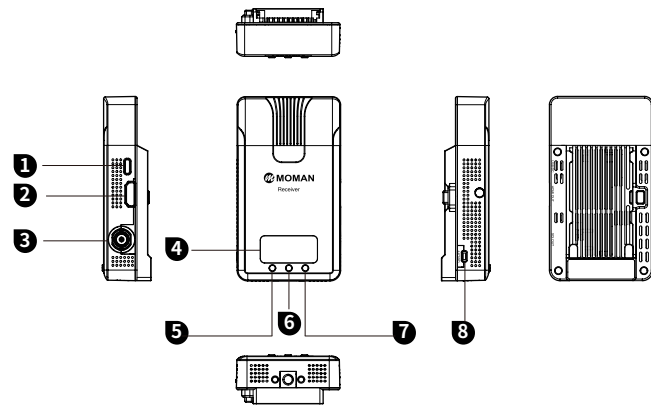


Video camera

Director

Monitor

Product Description



- 1** USB-C Port
- 2** HDMI Input(TX)/ Output(RX)
- 3** SDI Input(TX)/ Output(RX)
- 4** OLED Display screen
- 5** Direction button
- 6** Menu button
- 7** Direction button
- 8** Power switch

Technical Parameters

| | Transmitter | Receiver |
|-----------------------------|---|---|
| Interface | HDMI Input/SDI Input | HDMI Output/SDI Output |
| Powered By | 5V DC/NP-F Battery | 5V DC/NP-F Battery |
| Power consumption | <5W | <4.5W |
| HDMI Input | 720P@50/60Hz 1280*1024@60Hz 1080I@50/60Hz 1080P@24/25/30/50/60Hz | / |
| HDMI Output | / | 720P@50/60Hz 1280*1024@60Hz 1080I@50/60Hz 1080P@24/25/30/50/60Hz |
| SDI Input | 720P@50/60Hz 1080I@50/59.94/60Hz 1080P@23.98/24/25/29.97/30 50/59.94/60Hz 1080PSF23.98/24/25/29.97/30Hz | |
| SDI Output | | 720P@50/60Hz 1080I@50/60Hz 1080P@24/25/30/50/60Hz |
| Weight | 160g | 160g |
| Size | 113*63.5*20.5mm | 113*63.5*20.5mm |
| Transmission frequency band | 5GHz | |
| Transmit power | 21dBmMAX | |
| Transmission delay | 80ms, Noisy RF environment 120ms typical | |
| Receiving sensitivity | -80dBm | |

How to Pair the Moman Matrix Video Transmitter

1. Turn on the Video Transmitter, wait until you see the number of channel



2. Long press Menu Button for 3 seconds to enter "Setting" menu, Choose "Setting"



3. Press the Menu Button again to Choose "Pairing"



4. Press the Menu Button again, then press Direction Button to switch to "ON", press Menu Button again



5. Make sure to do the same process in Receiver and Transmitter, it will show "ok" on both sides after the pairing is done



Moman (UK) Limited

Unit 25 Basepoint Business Centre, Aviation Park, West Christchurch, United Kingdom BH23 6NX

www.momanmic.com www.momanx.com www.momanx.co.uk

@MomanGlobal

https://moman.co/youtube