



Microphone EMP

User Manual

Thank you for choosing MOMAN product. Please read this manual carefully before use and follow all instructions mentioned herein.

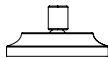
Caring For Your MOMAN Product

- Please keep the product in a dry, clean, dust-free environment.
- Keep corrosive chemicals, liquids and heat source away from the product to prevent mechanics damage.
- Use only a soft and dry cloth for cleaning the product.
- Malfunction may be caused by dropping, impact of external force.
- Do not attempt to disassemble the product. Doing so voids warranty.
- Please have the product checked or repaired by authorized technicians if any malfunctions happened.
- Failure to follow all the instructions may result in mechanics damage.
- Warranty does not apply to human errors.

Package List



EMP Microphone *1



Desktop Microphone Stand *1

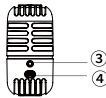
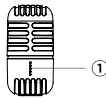


Type-C to USB Cable *1



Type-C to Type-C Cable *1

Product Introduction



① Working Indicator

Green Light	Red Light
Normal Recording (The green lights will flicker according to input level signal.)	Mute Mode On

② Mute Mode

Touch once to initiate mute mode, and the working indicator turns red.

③ 3.5mm Monitoring Jack

For plug-in earphones to monitor the recording in real time. Please mind the loudness.

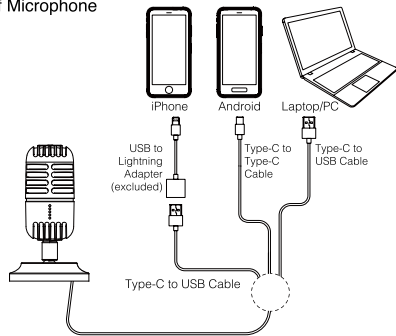
④ Type-C Output

Operations

1. The Use of Desktop Microphone Stand

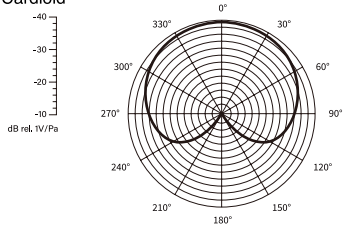


2. The Use of Microphone



Operations

1. Polar Pattern: Cardioid



2. Performance Parameter

Transducer	Electret Condenser
Frequency Response	20Hz-20KHz
Impedance	$\leq 2.2K\Omega$
Sensitivity	-45dB+3dB re 1 Volt/Pascal
Sampling Rate	48KHz/16bit
Power Supply	5V/1A
Dimensions (L*W*H)	55mm*55mm*108.5mm
Output	Type-C
Net Weight	82g

Moman (UK) Limited

Unit 25 Basepoint Business Centre, Aviation Park, West Christchurch, United Kingdom
BH23 6NX

www.momanmic.com www.momanx.com www.momanx.co.uk

[Facebook](#) [Instagram](#) [Twitter](#) @MomanGlobal

<https://moman.co/youtube>