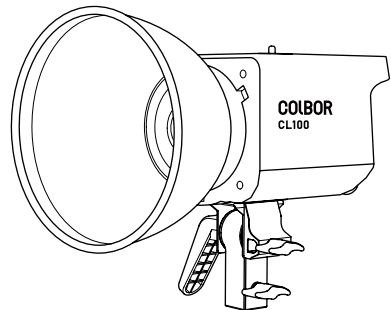


COLBOR



CL100 Video Light

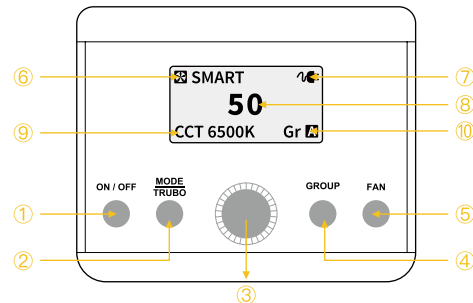
User Manual

Thank you for choosing COLBOR product. Please read this manual carefully before use and follow all instructions mentioned herein.

Caring For Your COLBOR Product

- Keep corrosive chemicals, liquids and heat source away from the product to prevent mechanics damage.
- The product is not waterproof.
- Do not leave the product unattended while in use. Keep out of reach of children.
- Must remove the protective cover before use.
- Do not handle with wet hands. Do not touch hot COB surface.
- Please do not block the ventilation and do not look at the light directly when it is on.
- Do not attempt to disassemble or modify the product. Doing so voids warranty.
- Please have the product checked or repaired by authorized technicians if any malfunctions happened.
- Disconnect from the power supply when it is not in use.
- Malfunction may be caused by dropping, impact of external force.
- Failure to follow all the instructions may result in mechanics damage.
- Warranty does not apply to human errors.

Product Instructions



★ If there is no operation for 10 seconds, the current settings are automatically saved and the selection mode is exited.

① Power Button

Short press to turn on/ off the light

② Mode Switch

Default Mode: CCT

Each press switches to next lighting mode

(CCT → EFF-CANDLE → EFF-BONFIRE → EFF-BLN → EFF-FAULTY BULB → EFF-FLASH → EFF-LIGHTNING)

Long press for 3 seconds to enter Overclock mode.

★ In overclock mode, the output power will be enhanced for 60s. At this time, the fan runs at full speed with the fan status of "FULL". When the mode ends, the previous fan status restores.

③ Adjustment Dial

1.Short press the dial to switch between Brightness and Color Temperature Control

2.Roll the dial to adjust the value

Brightness (0-100%); Color Temperature (2700-6500K)

3.Press the dial again to switch to another control

④ Group Option

Press the button to set group (Group A/B/C/D/E)

⑤ Fan Option

Default Status: SMART

SMART-The fixture will adjust the fan speed according to working temperature.

Press the Fan Option and switch to QUIET status.

QUIET-The fan runs at 30% speed, and the maximum brightness is limited to 80% for secure operation.

⑥ Fan Status

SMART / QUIET / FULL

⑦ Power Status

Percentage icon means battery power is being used

Plug icon means AC power is being used

⑧ Brightness

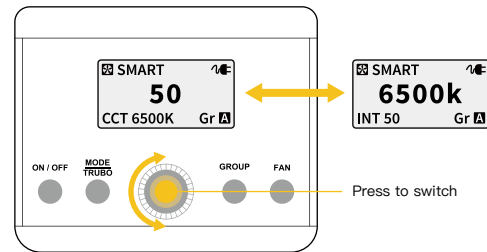
⑨ Color Temperature

⑩ Group

Operation Instructions

1. Connect the fixture with the power adapter, then plug it into an electricity supply.
2. Press the Power Button to turn on the light.

CCT Mode



Brightness Control 0-100%(5% Stepping)

Color Temperature Control (2700-6500K)

EFF Mode

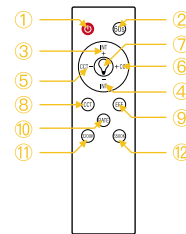
EFF	CANDLE	Specific color temperature range: 2700-3000K Specific brightness range: 30~100 Rate: 5 levels of flicker frequency (05 > 04 > 03 > 02 > 01)
	BONFIRE	Specific color temperature range: 2700-4000K Specific brightness range: 30~100 Rate: 5 levels of flicker frequency (05 > 04 > 03 > 02 > 01)

EFF	BLN (Pulsing)	Specific color temperature range: 2700-6500K Specific brightness range: 30~100 Rate: 5 levels of flicker frequency (05 > 04 > 03 > 02 > 01)
	FAULTY BULB	Specific color temperature range: 2700-6500K Specific brightness range: 30~100 Rate: 5 levels of flicker frequency (05 > 04 > 03 > 02 > 01)
	FLASH	Specific color temperature range: 5600-6500K Specific brightness range: 30~100 Rate: 5 levels of flicker frequency (05 > 04 > 03 > 02 > 01)
	LIGHTNING	Specific color temperature: 6500K Specific brightness range: 30~100 Rate: 5 levels of flicker frequency (05 > 04 > 03 > 02 > 01)

Brightness Control / Color Temperature / Rate Control

Short press the Adjustment Dial to switch among color temperature control ("CCT" flashes), rate control ("RATE" flashes) and brightness control, then roll the dial to adjust.

Remote Control Instructions



- ① Switch
- ② Overclock Mode
- ③ Brightness +
- ④ Brightness -
- ⑤ Color Temperature -
- ⑥ Color Temperature +
- ⑦ Fade In/ Fade Out
- ⑧ CCT Mode
- ⑨ EFF Mode/ Remote Pairing
- ⑩ Rate (Flicker Frequency)
- ⑪ Preset Color Temperature: 3200K
- ⑫ Preset Color Temperature: 6500K

Pair with the remote control

1. When the fixture is on, point the remote control to the control panel of the fixture and long press the [EFF Mode] button on the remote control.

2. The fixture flashes 3 times, and the screen displays the program version number and then goes out, indicating successful pairing.

★ If the pairing is failed, long press the [Group Option] button on the fixture panel when it is functioning. After the wireless signal icon on the screen flashes 3 times, reconnect the fixture's power and press the [EFF Mode] button on the remote control within 5 seconds to pair.

Unpair with the remote control

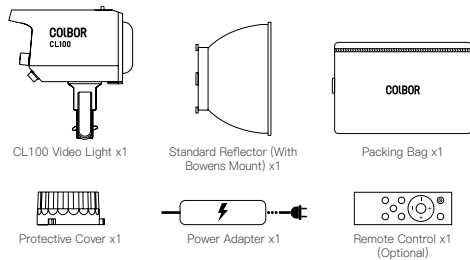
1. When the fixture is in working condition or not, point the remote control to the fixture panel and long press the [Overclock Mode] button.

2. The screen will display the program version number and then go out, indicating that the pairing is cancelled.

Specifications

Color Rendering Index: ≥ 97
Color Temperature Range: 2700–6500K
Beam Angle: ≈∠ 120° (Standard Reflector 55°)
Illumination: 2998Lux (at 3.28ft / 1m 6500K, None Reflector); 10123Lux (at 3.28ft /1m 6500K, With Standard Reflector)
Power: 100W (Constant Power)
Light Working Voltage: DC 15–24V 6.32A
Connector: GX16 3–Pin Connector
Body Material: ABS
Light Dimension(mm): 202x116x117 (Light Base Not Included)
Light Weight: 1.1kg/39oz

Package List



WARRANTY

Warranty Period

Thank you for purchasing COLBOR products.

1. Customers are entitled to free replacement or repair service in case of quality defect(s) found in the product under normal use within 30 days upon receipt of the product.

2. Original COLBOR products are entitled to 12-month limited warranty service. The warranty period begins on the date of purchase of brand new, unused products by the first end-user.

Within the warranty period, if product defect or failure is attributable to material deflection or technological problem, the defective product or defective part will be repaired or replaced without charge (service and materials fee).

Warranty Exclusions and Limitations

- Faults resulted from inappropriate use of a product without following its operation specification
- Artificial damage, e.g. crash, squeeze, scratch, soaking, exposing to rain or damp
- Modifications to a product by its user or a third party without prior written

consent of COLBOR, e.g. replacement of element or circuit, label alteration

4. The code on product is inconsistent with that of warranty certificate, or the code on the product or warranty certificate is altered or torn off

5. All consumable accessory attached to a product, like cable, cover

6. Faults as a result of force majeure, such as fire, flood, lightning, etc.

Warranty Claim Procedure

1. If failure or any problem occurs to your product after purchase, please contact a local agent for assistance, or you can always contact COLBOR's customer service through email.

2. Please retain your sales receipt and warranty certificate as proof of purchase. If any of these documents is missing, only sales return or chargeable service will be provided.

3. If the COLBOR product is out of the warranty coverage, the service and the parts cost will be charged.

WARRANTY CERTIFICATE

Please register your warranty. Meanwhile, you are welcomed to contact us via Email.

USER INFORMATION	Customer Name:
	Phone Number:
	Email:
	Address:
SALES INFORMATION	Sales Date:
	Model:
	Product Code:
	Dealer:
REPAIR RECORD	Service Date:
	Technician:
	Issue:

RESULT Solved Unsolved Returned(Replaced)

Guangzhou Zhiying Technology Co., Ltd

📍 Block 15th, No.200 Fangcun Avenue East, Liwan District, Guangzhou, China, 510000

✉ support@colborlight.com

🌐 www.colborlight.com