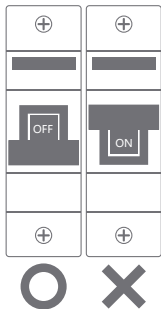
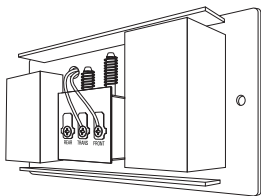


- Step 1** First turn off the power breaker at your fuse box for your existing doorbell and mechanical chime. Ring your doorbell again to confirm it is now off.

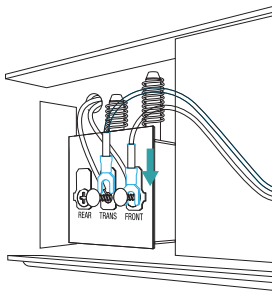


- Step 2** Find your mechanical chime that is a rectangular box, produces the sound when your doorbell is pressed. It may (or may not) be mounted immediately inside your FRONT door. And remove the cover.

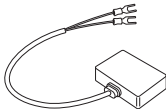


(Example of a Mechanical Chime)

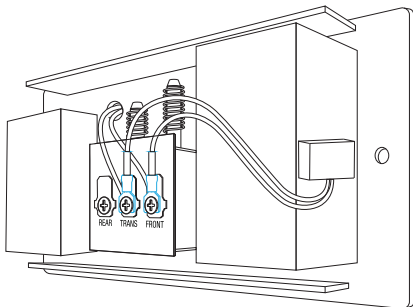
- Step 3** Slightly unscrew both screw terminals and one hook from the Chime Kit under each screw (It does not matter which color wire from the Chime Kit connects to which screw).



Locate the Chime Kit included in the smart doorbell's packaging, and the terminals on the inside of the chime. Connect one of the Chime Kit's prongs to the transformer terminal (usually labeled TRANS, T, AC, or 0). Connect the other prong to the chime's front terminal (usually labeled FRONT, F, 1, or C1). Either prong on the Chime Kit can be connected to either of the terminals on the chime.



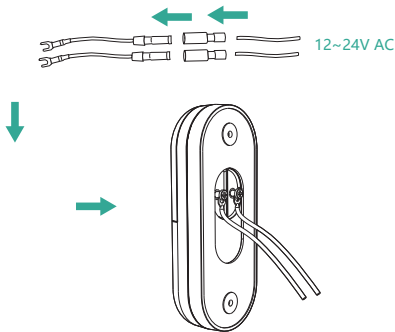
- Step 4** Using the included doubles sided tape, affix the Chime Kit to your chime wherever there is space and replace the cover. Be careful not to interfere with any of the chime's moving parts.



Ensure that the Chime Kit and wires DO NOT interfere with the mechanical parts of the chime. Mount on the outside of the chime if there is not enough room to mount inside. And replace your chime's cover.



Note: If the wires coming out from your home are too short you can use the included wire crimp extenders. Take existing doorbell wire from your home, plug into included crimp connector, then plug into wire extender.



Turn the doorbell power back on at the fuse box. The light on the doorbell button should turn on and after a few minutes become red slowly.