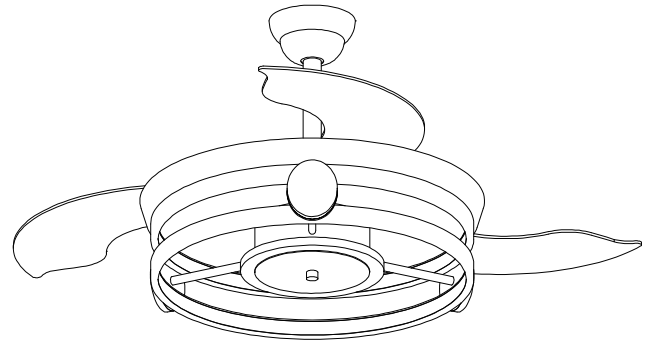


Safety Information

Before starting installation of this fixture or removal of a previous fixture, please disconnect the power source to ensure safety.

Consult a qualified electrician if you have any electrical questions or need to replace the driver.



- ① Ceiling light is suitable for AC 110-120V(USA/CA) / 220V-240V(EU).
- ② Ceiling fan must be installed on a solid ceiling that can be able to withstand more than 30KG.
- ③ The fan blades should be more than 20CM from the ceiling.

Warranty

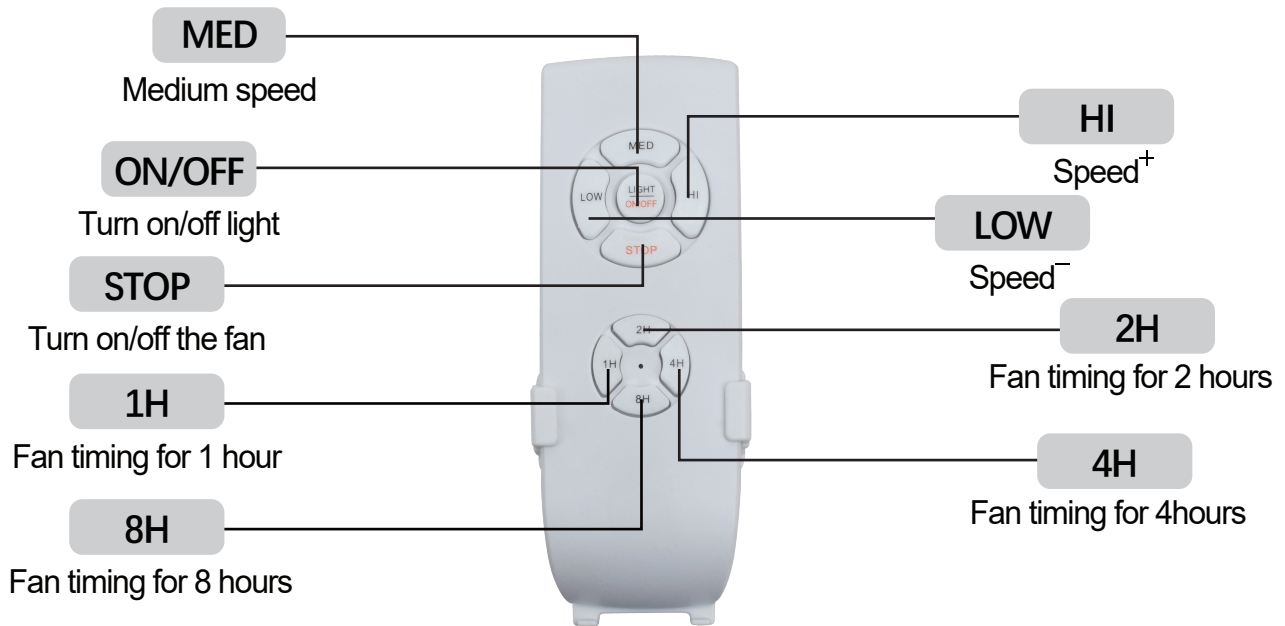
WHAT IS COVERED

The manufacturer guarantees this fixture to be free from manufacture defects for a period of 1 Year from the date of purchase Warranty ONLY applies under normal use and to the original purchaser. The premise is that the product has not been damaged due to misuse, accident, modification, alteration, negligence or misoperation.

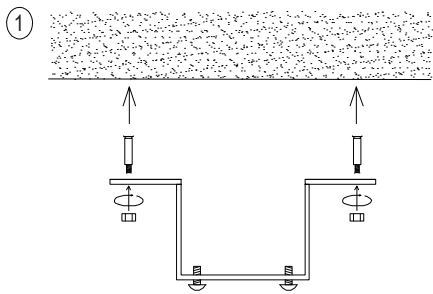
Electrical Characteristics

Product mode	WS-FPZ7-36F
Power	30W(Light)+58W(Motor)
Color	Dumb white
Input voltage	110-120V(USA/CA) / 220V-240V(EU)
Direction	One direction
Fan speed	3 speeds
Remote control	Yes

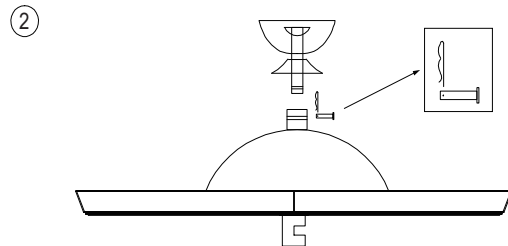
Remote control instruction



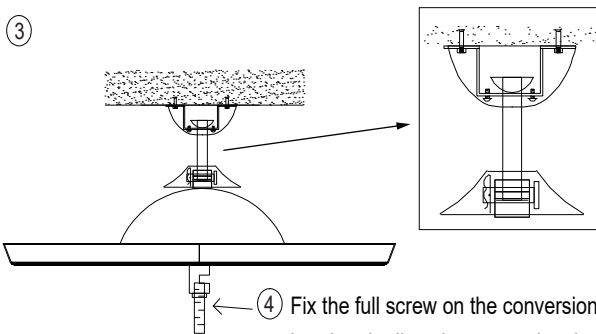
Installation Steps



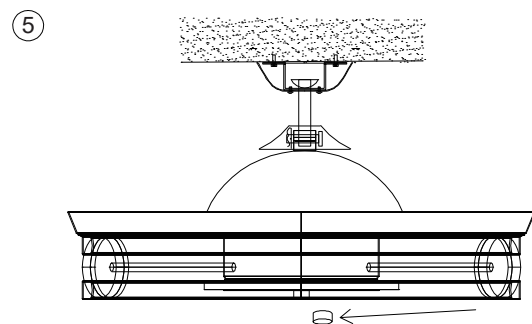
① Take out the ceiling box and fixing bracket, fix the hanger on the ceiling, and tighten the screws to ensure safety and firmness.



② Take out the boom, put the ceiling box and the horn-shaped cover inside the boom as shown in the picture, then put the boom into the lamp body interface, insert the bolt horizontally, and then insert the safety buckle into the small hole on the bolt, And finally tighten the fixing screws of the boom.



③ Hang the ball head at the top of the lamp body boom into the fixing bracket, connect the power cord, adjust the balance of the lamp body, and then clip the ceiling box to the fixing screw at the bottom of the fixing bracket, and tighten the screw.



⑤ Finally, connect the lead wire of the product to the power cord, pass the whole lamp through the full screw, and fix it with a flat nut, the installation is complete.

If you have any questions about the installation, or if you need a video of installation, please contact us too.

USA/CA:support02@dingliled.com EU: support03@dingliled.com