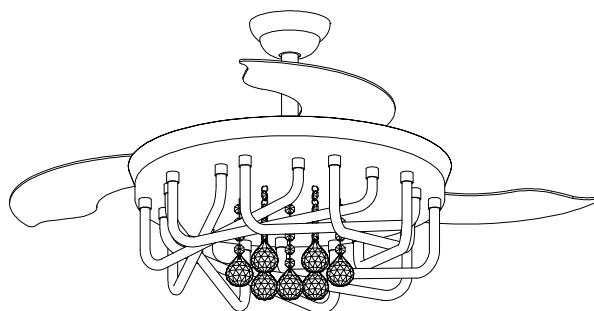


# Safety Information

Before starting installation of this fixture or removal of a previous fixture, disconnect the power by turning off the circuit breaker or by removing the fuse at the fuse box. Consult a qualified electrician if you have any electrical questions or need to replace the driver.



- ① Ceiling light is suitable for AC 110V-120V.
- ② Ceiling fan must be installed on a solid ceiling that can be able to withstand more than 30KG.
- ③ The fan blades should be more than 20CM from the ceiling.
- ④ The crystal pendant is easily damaged and broken, please install carefully.

## Warranty

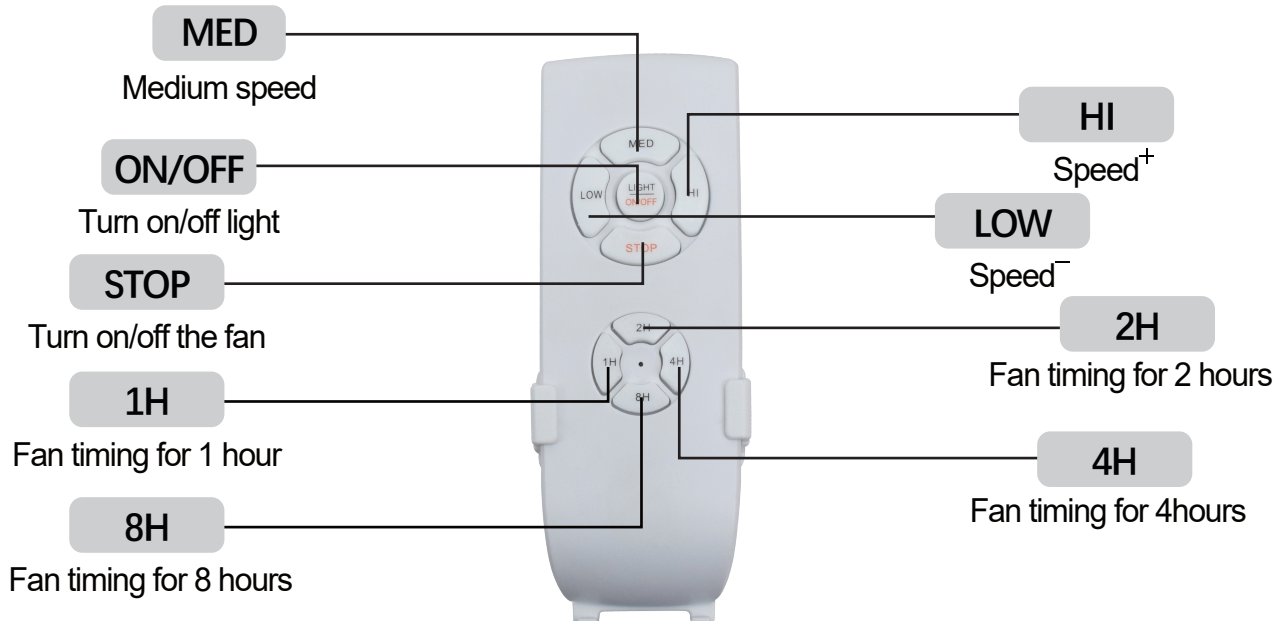
### WHAT IS COVERED

The manufacturer warrants this lighting fixture to be free from defects in materials and workmanship for a period of 12 months from date of purchase. This warranty applies only to the original consumer purchaser and only to products used in normal use and service. If this product is found to be defective, the manufacturer's only obligation, and your exclusive remedy, is the repair or replacement of the product at the manufacturer's discretion, provided that the product has not been damaged through misuse, abuse, accident, modifications, alterations, neglect or mishandling.

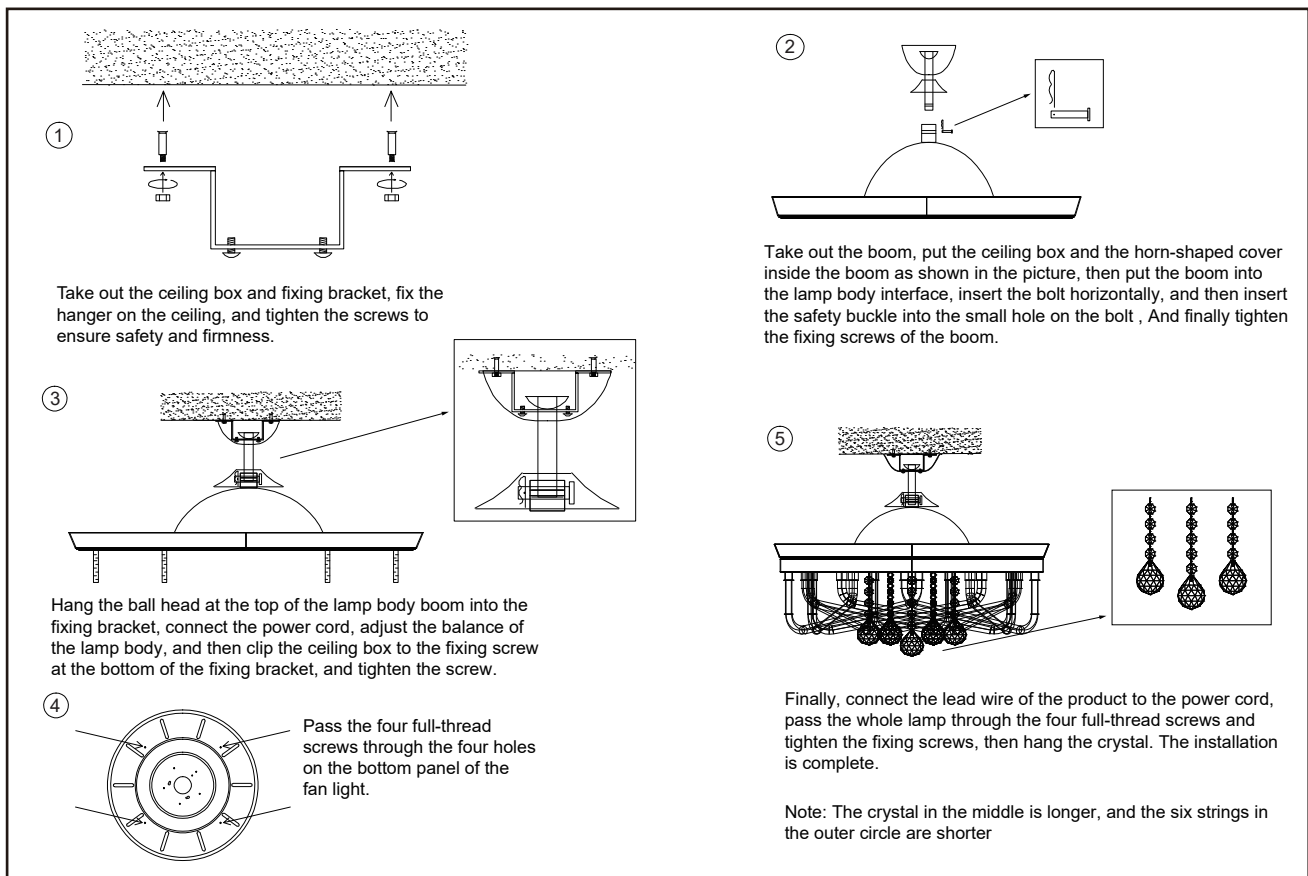
## Electrical Characteristics

Product mode	WS-FPZ6-40F
Power	40W(Light)+58W(Motor)
Color	Dumb white
Input voltage	110V-120V
Direction	One direction
Fan speed	3 speeds
Remote control	Yes

# Remote control instruction



## Installation Steps



If you have any questions about this fixture, please contact us

USA/CA: support02@dingliled.com

EU: support03@dingliled.com