

THANK YOU FOR YOUR PURCHASE

Thank you for purchasing this quality product. To ensure correct function and safety, please read and save all instructions before using the product

SAFETY TIP

1. Installation work and electrical wiring must be done by qualified person(s) in accordance with all applicable codes and standards (ANSI/NFPA 70), including fire-rated construction.
2. Read all instructions and safety information carefully before installing your fan and save these instructions.
3. To avoid possible electric shock, turn off the electricity at the main fuse box or circuit panel before you begin the fan installation or before servicing the fan or installing accessories.
4. Make sure you have a location selected for your fan that allow clear space for the blades to rotate, and at least seven (7) feet of clearance between the floor and the fan blade tips. The fan should be mounted at least thirty (30) inches from walls or other upright structures.
5. **WARNING:** The outlet box and ceiling support joist used must be securely mounted, and capable of supporting at least 100 pounds. To reduce the risk of fire, electric shock or personal injury, mount to the outlet box marked acceptable for fan supported and use mounting screws provided with the outlet box. The box must be supported directly by the building structure.
6. **WARNING:** To reduce the risk of fire, electric shock or personal injury, mount to outlet box marked “acceptable for fan support” and use mounting screws provided with the outlet box most outlet boxes commonly used for the support of lighting fixtures are not acceptable for fan support and may need to be replaced. Consult a qualified electrician if in doubt.
7. Electrical diagrams are for reference only. Light kits that are not packed with the fan must UL listed and marked suitable for use with the model fan you are installing. Switches must be UL general use switches. Refer to the instructions packaged with the light kits and switches for proper assembly.
8. After installation is complete, check that all connections are absolutely secure.
9. After making electrical connections, spliced conductors should be turned upward and pushed carefully up into outlet box. The wires should be spread apart with the grounded conductor and the equipment-grounding conductor on one side of the outlet box.
10. **WARNING:** To reduce the risk of electrical shock and fire, do not use this fan with any solid-state fan speed control device, or rheostat.
11. Do not separate the reverse switch until the fan has come to a complete stop.
12. Do not insert anything into the fan blades while they are rotating.
13. **WARNING:** To reduce the risk of personal injury, do not bend the blade brackets (also referred to as “flanges”) during assembly or after installation. Do not insert objects in the path of the blades.
14. To avoid personal injury or damage to the fan and other items, be cautious when

working around the fan or cleaning the fan.

15. Do not use water or detergent when cleaning the fan or fan blades. Dry dust cloth or lightly dampened cloth will be suitable for most cleaning.

NOTE: The important safety precautions and instructions appearing in the manual are not meant to cover all possible conditions and situations that may occur. It must be understood that common sense and caution are necessary factors in the installation and operation of this fan.

NOTE: This product is not intended for use by persons (including children) with reduced physical, sensory or mental capabilities are different or are impaired, or lack of experience or knowledge, unless such persons are supervised or trained to operate the appliance by a person responsible for their safety.

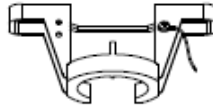
NOTE: Children should be supervised to ensure that they do not use appliances as a toy.

PARTS LIST

Unpack your and check the contents. You should have following items:



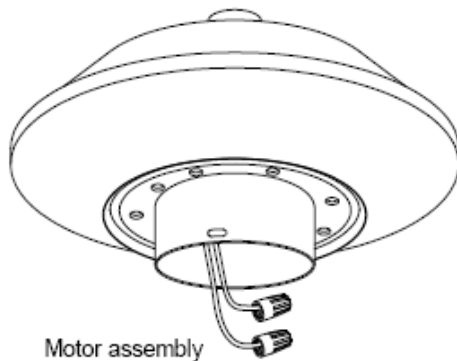
Canopy



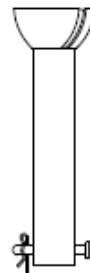
Hanger bracket



Coupling cover



Motor assembly



Down rod 12.5CM

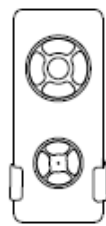
Down rod 25CM



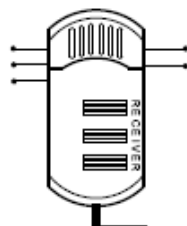
Blades



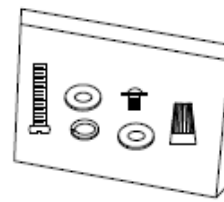
Crystal drop



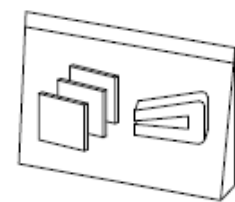
Remote



Receiver

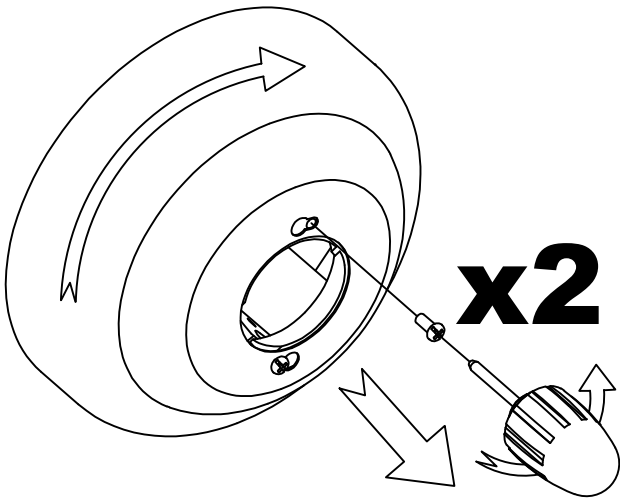


Hardware pack

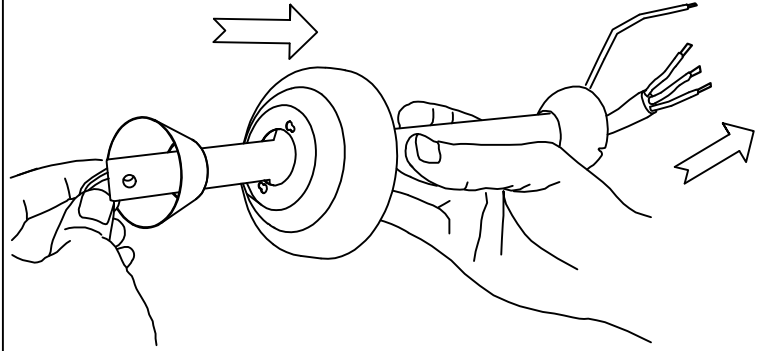


Balancing kit

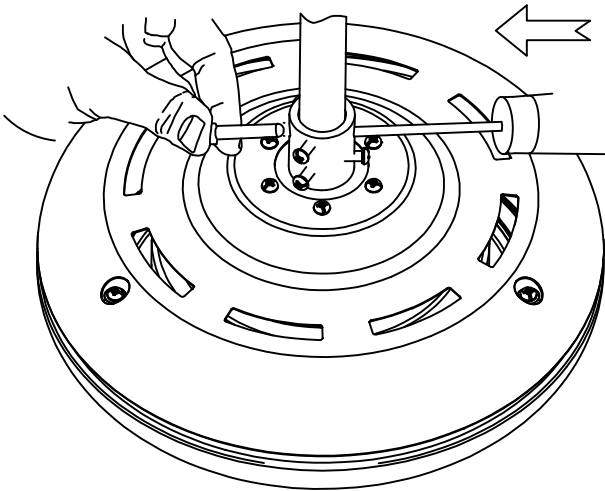
1



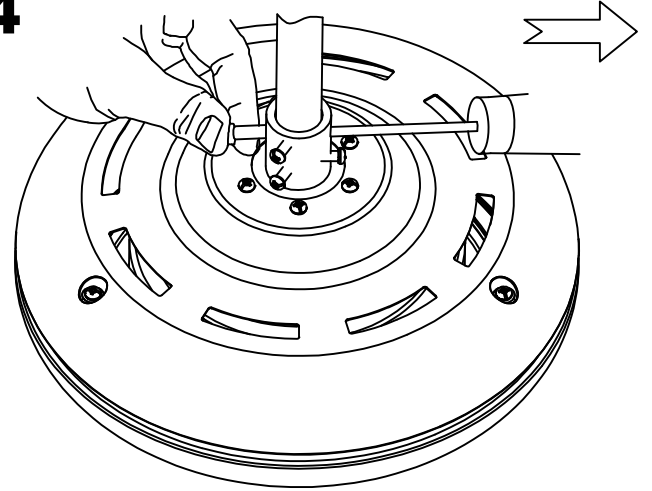
2



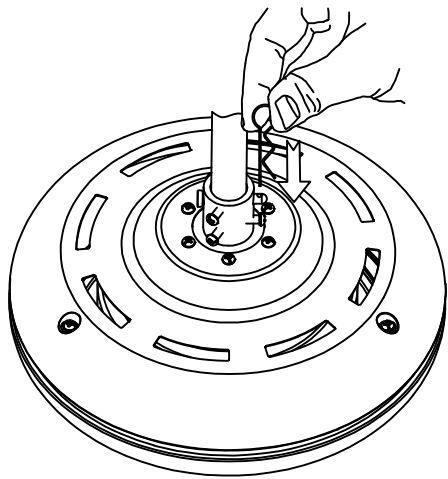
3



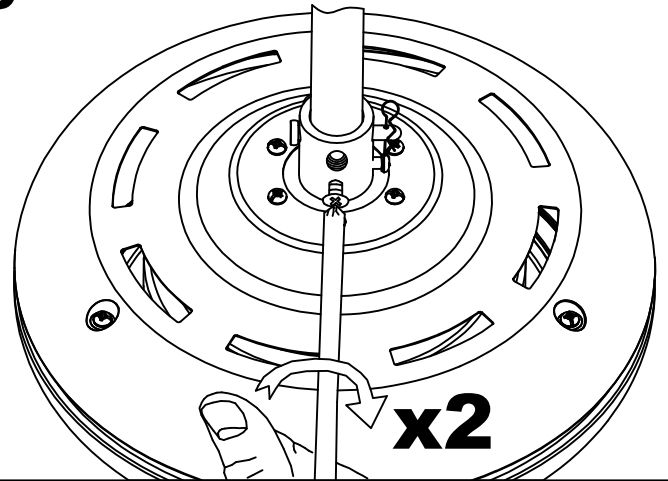
4



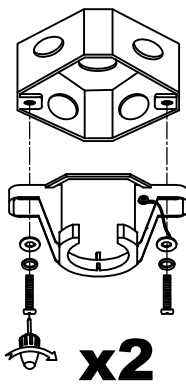
5



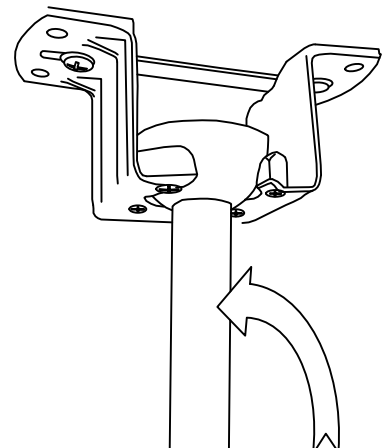
6

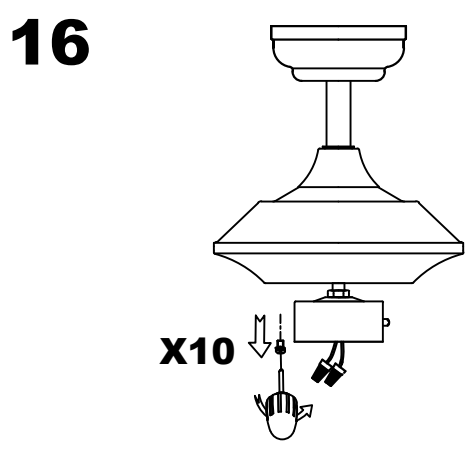
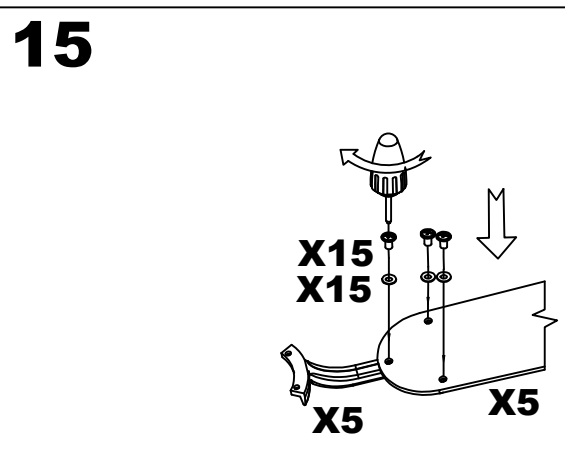
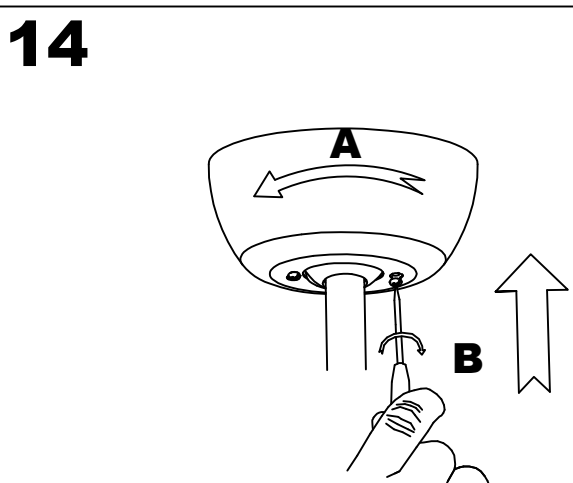
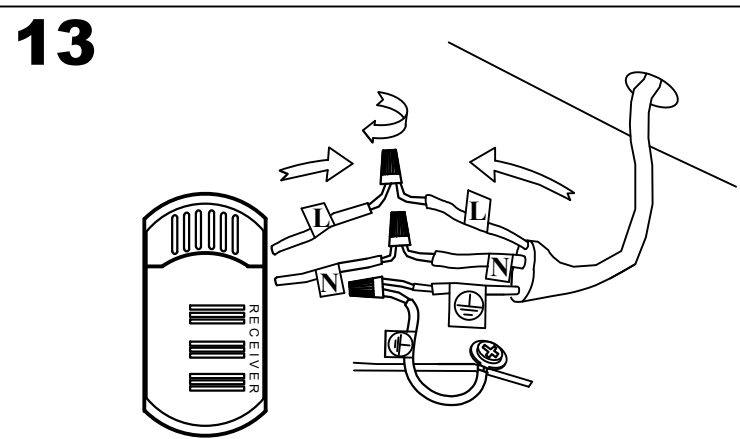
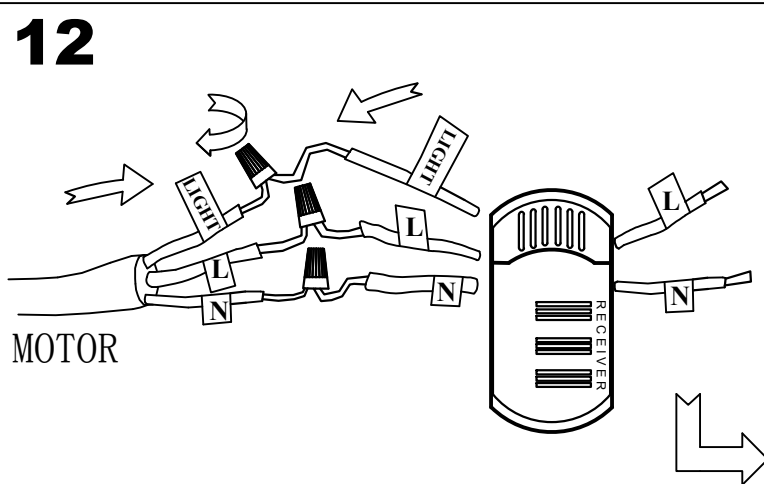
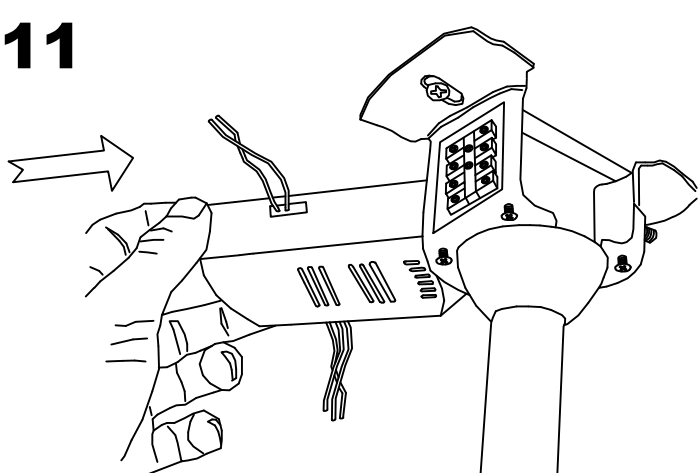
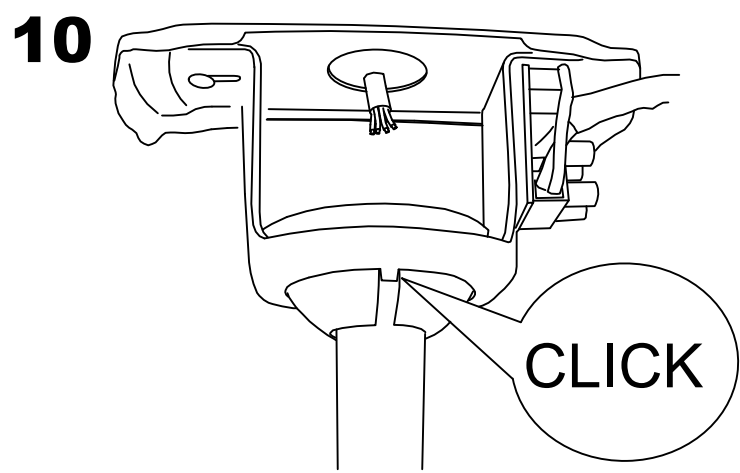
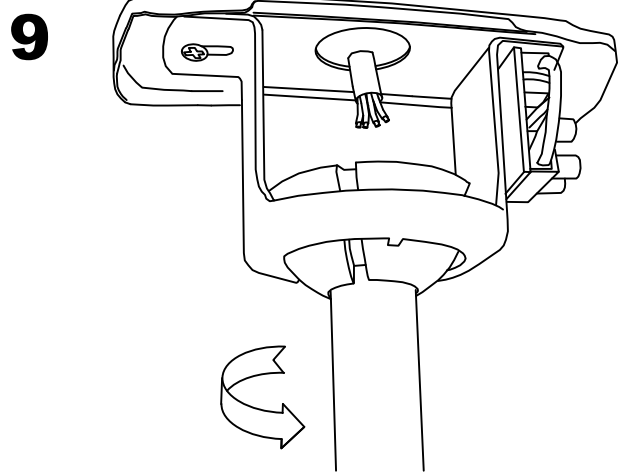


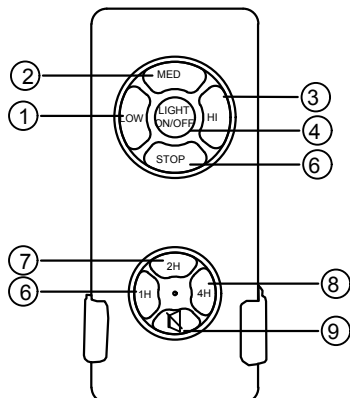
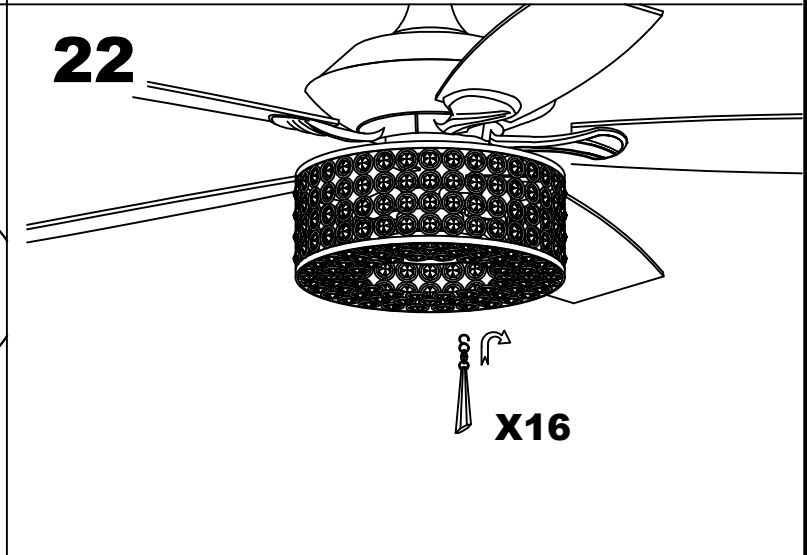
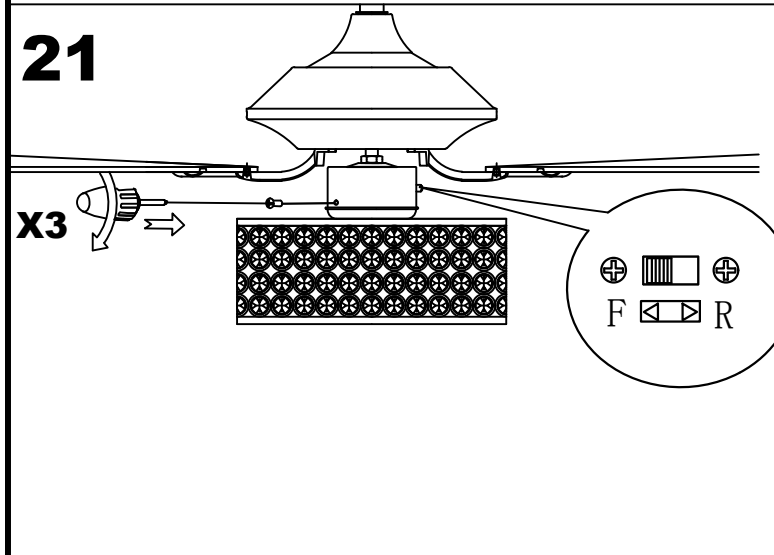
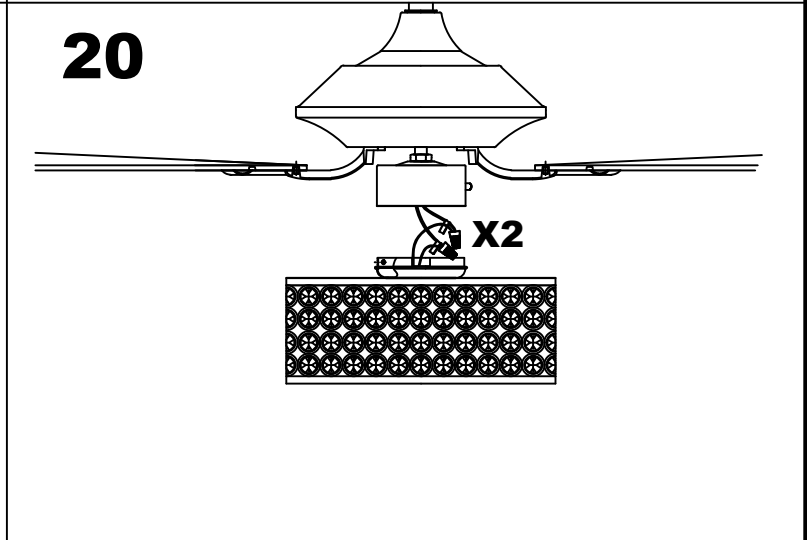
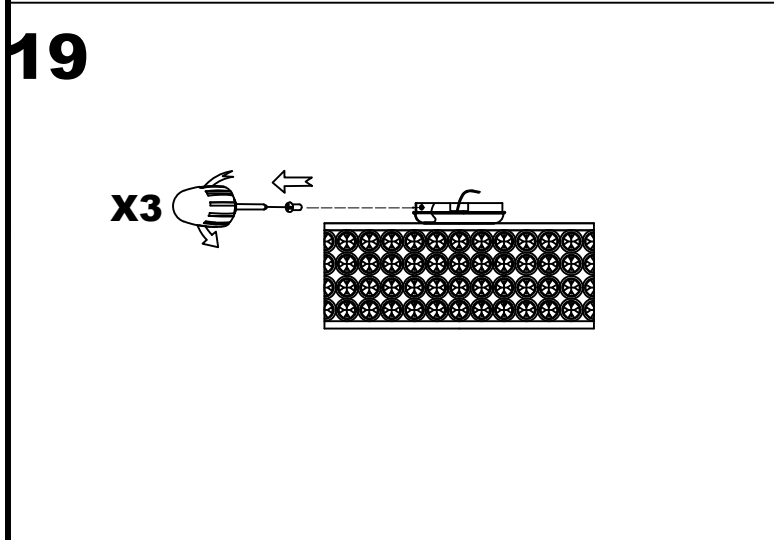
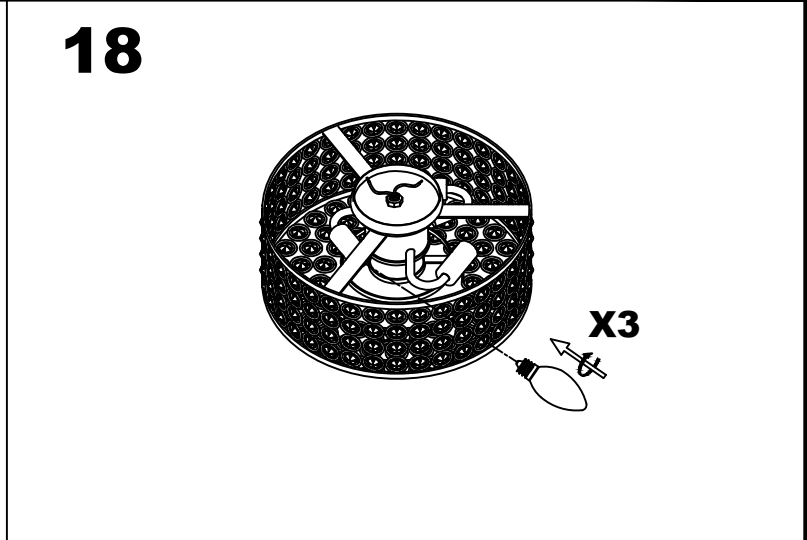
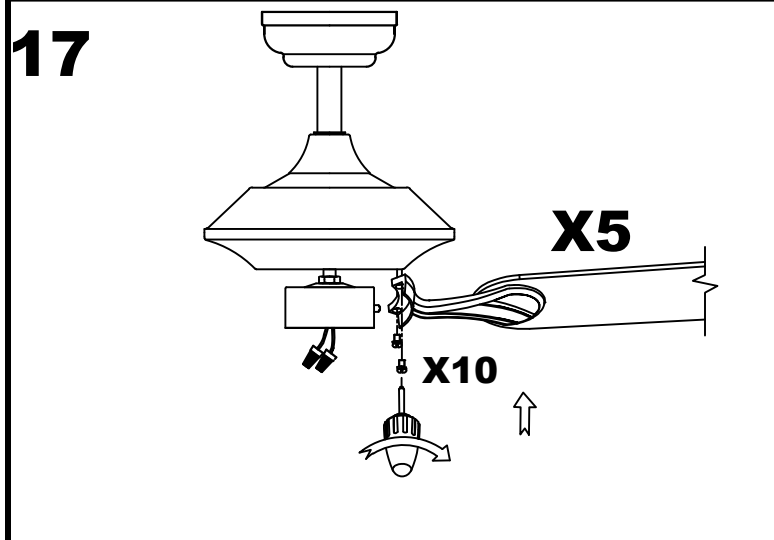
7



8







①	
②	
③	
④	
⑤	STOP
⑥	
⑦	
⑧	
⑨	MUTE

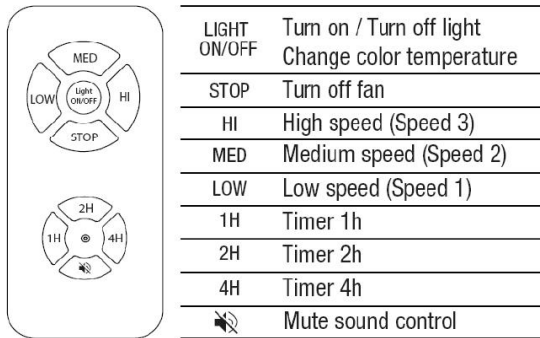
OPERATION

KINDLY REMINDERS:

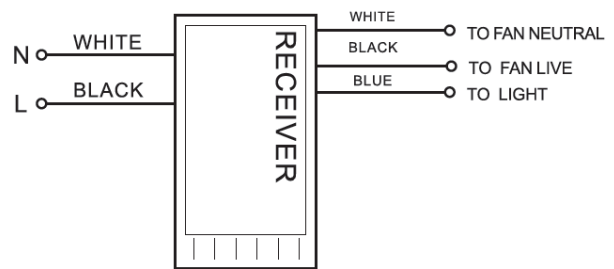
Programming code matching mode is used between emitter and receiver, Turn "ON" the supply power within 30 seconds and press the emitter's "STOP" button for 5 seconds, after hearing a long sound "BEE", press "1H" button. It can load normally after hearing the "BEE" which means programming successfully and it can works normally.

(PS: Programming mode is not accepted after turn "ON" the supply power for 30 seconds)

Button function instruction



Wiring diagram:

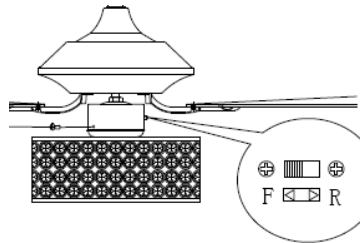


Battery for emitter: 2x1.5V AAA

Warm weather/down position - (Forward) Fan turns counterclockwise direction.

A downward air flow creates a cooling effect

This allows you to set your air conditioner on a higher temperature setting without affecting your comfort.



NOTE:

Please connect relevant components strictly following instructions on the label. Otherwise switch life will be influenced directly and the switch will fail to function.

1. The fan switch must be on status, and our product can control fan.
2. When the emitter can not control the receiver, please check whether battery touch is normal, the placed of anode and cathode is correct and power is enough.
3. Please use product in allowable voltage, it's not normal if the voltage is too low. (Please check the label for voltage range and the technique parameter.
4. When the emitter can not control the receiver, please check if there are similar remote control products existing in the nearby range and check whether their launcher buttons are pressed because remote control products with the same properties launching electric wave at the same time, will cause mutual interference eliminated.(Exclude the remote control)
5. Please take out the batteries when not use in a long time.

AFTER INSTALLATION

“WOBBLE”

The fan blades have been adjusted in the factory to minimize any wobble

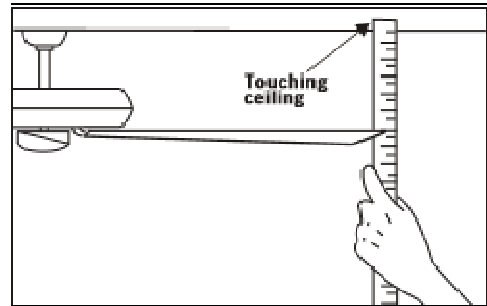
NOTE: CEILING FANS TEND TO MOVE DURING OPERATION DUE TO THE FACT THAT THEY ARE MOUNTED ON A RUBBER GROMMET. IF THE FAN WAS MOUNTED RIGIDLY TO THE CEILING, IT WOULD CAUSE EXCESS VIBRATION. MOVEMENT OF A FEW CENTIMETERS IS QUITE ACCEPTABLE AND DOES NOT SUGGEST ANY PROBLEM

TO REDUCE THE FAN WOBBLE: PLEASE CHECK THAT ALL SCREWS WHICH SECURED THE MOUNTING BRACKET AND DOWNROD ARE SECURE.

BALANCING A WOBBLING CEILING FAN:

For your convenience, a Balancing Kit is included; please follow this procedure when balancing the fan:

1. Check that all blade and blade arm screws are secure.
2. Most fan wobbling problems are caused when blade levels are unequal. Check this level by selecting a point on the ceiling above the tip of one of the blades. Measure this distance. Rotate the fan until the next blade is positioned for measurement. Repeat for each blade. The distance deviation should be equal to 1/8" (0.32cm).
3. Use the enclosed Blade Balancing Kit if the blade wobble is still noticeable.



4. If the blade wobble is still noticeable, interchanging two adjacent (side by side) blades can redistribute the weight and possibly result in smoother operation.

WARNING: TO REDUCE THE RISK OF PERSONAL INJURY, DO NOT BEND THE BLADE ARM WHILE INSTALLING, BALANCING THE BLADES, OR CLEANING THE FAN. DO NOT INSERT FOREIGN OBJECTS BETWEEN ROTATING FAN BLADES.

NOISE

When it is quiet (especially at night) you may hear occasional small noises. This is normal. Please allow a 24-hour “breaking-in” period, most noises associated with a new fan disappear during the time.

CARE AND CLEANING

1. Periodic cleaning of your ceiling fan is the only maintenance required. Use a soft brush or lint free cloth to avoid scratching the paint finish. Please make sure to turn off electrical power before you clean your fan
2. Do not use water when cleaning your ceiling fan. It could damage the motor or the blades and create the possibility of an electrical shock.
3. Motor has permanently lubricated ball bearing. No need to oil

NOTE: MAKE SURE THE POWER IS OFF AT THE ELECTRICAL PANEL BOX BEFORE YOU ATTEMPT ANY CLEANING OR REPAIRS.

If you have any questions regarding your purchase, please feel free to contact us at:

In the USA/CA: support02@dingliled.com

In the EU: support03@dingliled.com