



Manual

L200

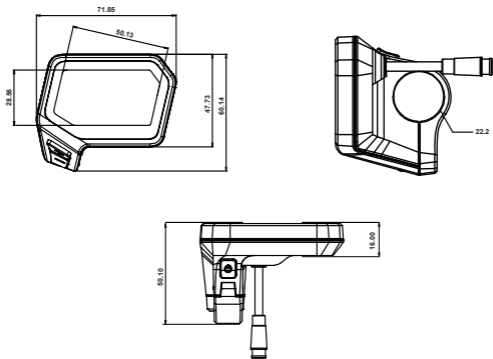
■ Contents

Product Description and Specifications	1
Parts Description	1
Functions Introduction	2
Features	2
Buttons Functions	2
Operation	3
Power on/off	3
Riding interface	4
Assist level switch	4
Turn on/off the light	5
Clear trip data	5
Error Code	6
User Menu	7
Attentions	10

■ Product Description and Specifications



● Parts Description



Display Dimensions

■ Functions introduction

● Features

L200 supports the common riding parameters and statistical results, as well as some useful functions:

- ◆ Real-time speed, Max speed, Average speed
- ◆ Real-time motor power
- ◆ Battery indicator
- ◆ Assistant level
- ◆ Odometer, trip
- ◆ Trip time
- ◆ Calorie burnt
- ◆ Light indicator
- ◆ Metric(km/h)/Imperial(mph) switching
- ◆ Error codes indicator
- ◆ Brightness adjustment
- ◆ Auto Power-off

In addition, the Bluetooth version also supports the following functions:

- ◆ APP connection
- ◆ Data synchronization
- ◆ Riding ranking
- ◆ Riding track recording

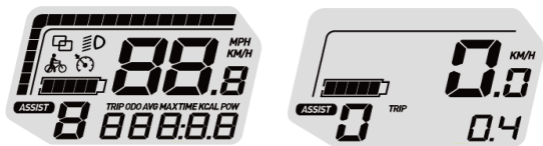
● Buttons Functions

Buttons	Name	Functions
⏻	[Power]	1.Power on/off 2.Setting confirmation
+	[+]	1.Parameter adjustment 2.Light turn on/off 3.Menu operation
-	[-]	1.Parameter adjustment 2.Pedestrian mode on/off 3.Menu operation

■ Operation

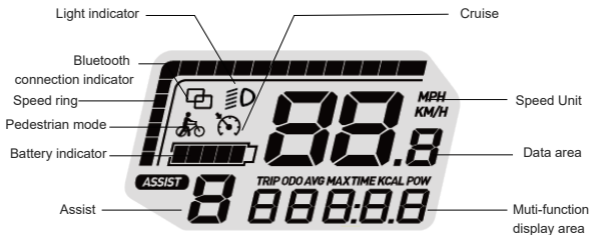
• Power on/off

Long press the [Power] button to power on, the boot interface will be shown for about 2s, followed by the riding interface:

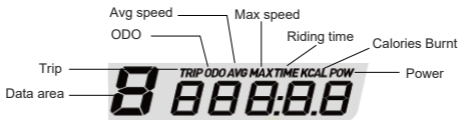


In any interface, long press the [Power] button, the shutdown interface will be shown for about 2s before power off:

• Riding interface



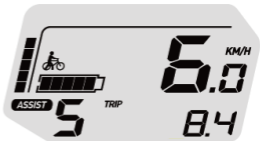
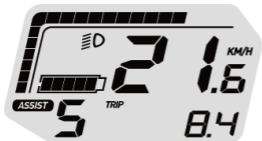
The speed ring is displayed according to the current speed and the speed limit value, and when the speed reaches the speed limit, the full ring is displayed.



• Assist level switch

Click [+] or [-] to switch assist levels;

Press and hold the [-] button to enter the pedestrian mode, and release to exit.



• Turn on/off the light

Long press [+] button to turn on/off the light.



• Clear trip data

Long press [Power] & [+] button to clear trip data.



[Note] The trip time, max speed, average speed, and calories burnt will be also cleared by this operation.

• Error Code



Common error codes are as follows (Only for reference, depending on other electrical parts of the ebike):

KM5S protocol Error Code

Error Code	Meaning
21	Current or Mos Error
22	Throttle Error
23	Motor Phase Error
24	Motor Hall Error
25	Brake Error
26	Low-voltage protection
30	Communication Error

Li2 protocol Error Code

Error Code	Meaning
02	Brake Error
06	Low-voltage protection
07	Motor Phase Error
08	Throttle Error

09	Current or Mos Error
14	Motor Hall Error
30	Communication Error

• User Menu

To enter the user menu, please long press the [+] & [-] combination buttons for 1s on the riding interface when static.

This interface will automatically return to the riding interface when there is no operation for more than 60s.

1. Wheel Size

In this interface, a prompt of "SIZE" appears at the bottom right, and the wheel size value in the data area flashes. Click the [+] / [-] button to adjust wheel size (inch), click the [Power] button to confirm and go to the next menu interface.



2. Speed Unit

In this interface, a prompt of "UNIT" appears at the bottom right, click the [+] / [-] button to switch the speed unit, click the [Power] button to confirm and go to the next menu interface.



3. Speed Limit

In this interface, a prompt of "SPEED" appears at the bottom right, click the [+] / [-] button to adjust the speed limit value, click the [Power] button to confirm and go to the next menu interface.



4. Auto Power Off

In this interface, a prompt of "OFF" appears at the bottom right, click the [+] / [-] button to adjust the value of auto power off, the adjustment range is 0-99 (unit: min), 0=Never auto power-off, click the [Power] button to confirm and go to the next menu interface.



5. Reset

In this interface, a prompt of "RESET" appears at the bottom right, and the data area flashes to display 'y' or 'n':

Click the [+] / [-] button to switch 'y' or 'n', click the [Power] button to confirm and go to the next menu interface.



6. Bluetooth Connection (Bluetooth version only)

In this interface, a prompt of "BLE" appears at the bottom right, the numerical display area flashes "n", which means that the Bluetooth is not connected.

You can search and connect on the APP side. After the operation is successful, the interface displays "y" and stops flashing. Click the [Power] button to confirm and go to the next menu interface.



7. Backlight Brightness

In this interface, the display area flashes to display the current backlight brightness, you can click the [+] / [-] button to adjust, the adjustment range is 1-5, click the [Power] button to confirm and go to the next menu interface.



■ Attentions

1. Be sure to power off first before connecting and disconnecting the cable, or the display will be totally damaged;
2. When fix the display to the ebike, please ensure that the torque of the screwdriver is about 0.5N.M (DO NOT EXCEED 0.6N.M), or it will cause damages to the handle;
3. Do not put the display into water;
4. The display can be wiped with wet and soft cloth, but DO NOT use any chemical liquid or spray on the display;
5. Please abide by local laws and regulations when scrapping, discard or recycle in an environmentally friendly way, and do not discard the instrument or any accessories as resident waste;
6. The damage and failure of the instrument caused by improper installation or use are not covered by the after-sale warranty.
7. For more information and support, please contact **service@yosepower.com**.