

# JLEU9L Series

## LED Emergency Light-Dual Head Square Shape

Project Name:	
Catalog Number:	
Notes:	

### Product Description :

The Konlite JLEU9L Series LED Emergency Light, with a dual head square shape design, suitable for emergency lighting applications such as stairways and hallways. It's ideal for safely illuminating the path of egress in small spaces at lower mounting heights. It can be wall mounted and will provide 90 minutes of emergency power in the case of power loss.



### Features & Specifications:

- Innovative, easy installation in minutes.
- Test switch and status indicator.
- 32°F to 104°F (0°C to 40°C) indoor damp location listed.
- Universal J-box mounting pattern.



#### Construction

Injection-molded thermoplastic ABS housing, UL 94V-0 flame rating. The direction of two heads can be adjustable.

#### Optics

1.6W LED Per head, 157 lumens two heads.

CCT: 6500K

CRI: 80

#### Electrical

120-277VAC, Dual Voltage operation, 50/60Hz.

Built-in 3.6V 600mAh Nickel cadmium battery for minimum 90 minutes emergency operation.

#### Installation

Wall mount only, not suitable for ceiling mount.

#### Listing

UL listed, suitable for indoor damp location.

#### Warranty

3-year limited warranty.

### Ordering Information

JLEU9	L		
Series	LED Per Head	Housing Color	Remote Capacity
JLEU9	L=8PCS LED	Blank=White	Blank=Without

### Other Information

Input Voltage	Input Current	Input Watts	Lumens	Charge Time	Emergency Time
120/277V	0.025/0.01A	2.4W	157lm	24 Hrs	90 Mins

### Packaging Information

Length	Width	Height	Qty./Carton	Weight
14.6"(37cm)	8.3"(21cm)	10.2'(26cm)	6pcs	12.1lbs(5.5kg)

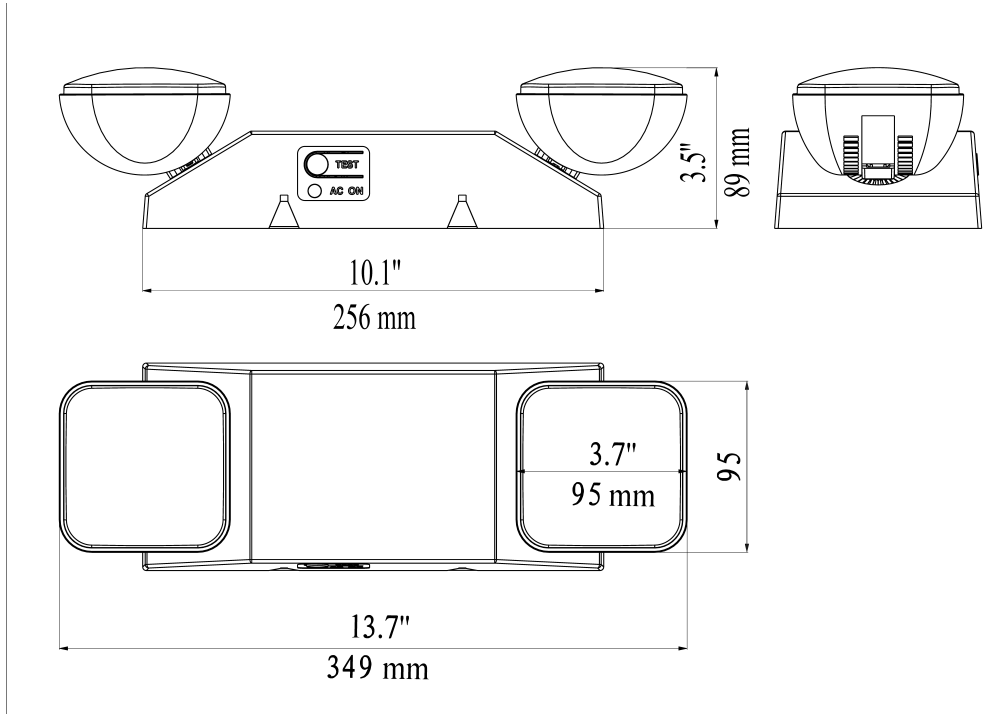


2880 North Berkeley Lake Road NW, Suite 8 Duluth, GA 30096  
 Toll Free: 877-718-0808 Fax: 770-817-0127 www.konlite.com

For informational purposes only.  
 Content is subject to change.

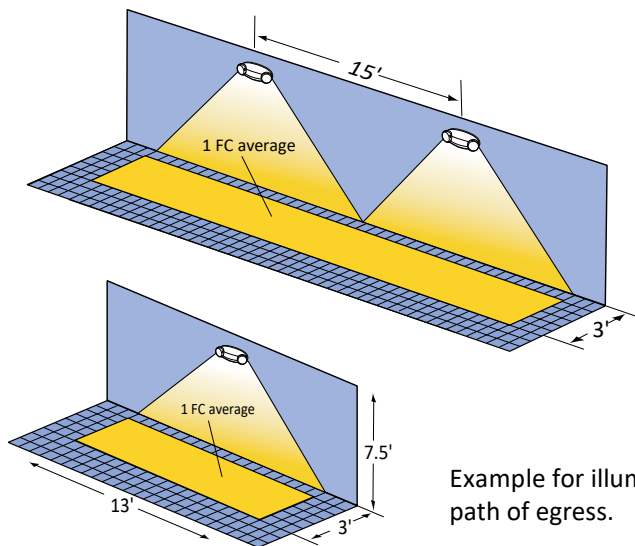
Rev. 7/6/22

## FIXTURE DIMENSIONS



## SPACING GUIDELINES

Mounting Height	Illumination Level	Single Fixtures		Multiple Fixtures	
		3" Path of Egress	6" Path of Egress	3" Path of Egress	6" Path of Egress
7.5'	1FC	13'	8'	15'	12'



Example for illuminating a 3' path of egress.

Example for illuminating a 3' path of egress.