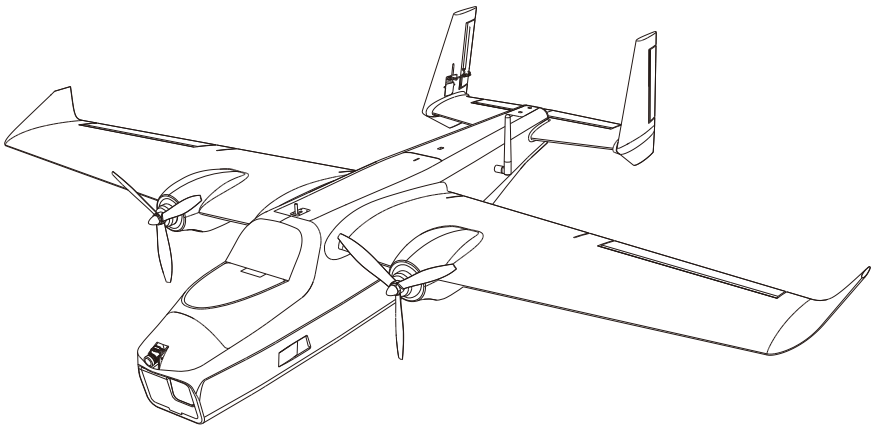




# User Manual

## Killer Whale

### 虎鲸



# Introduction/简介

- ①虎鲸是一款1200mm翼展的双发中型固定翼，经典的FPV固定翼动力布局，无遮挡的FPV相机安装位置，具有超重的起飞能力和超长的续航能力。
  - ②主机翼的快拆结构简单稳定可靠的软连接结构，在空中遇到连续颠簸时，也不用担心快拆插座的连接不稳定。组装完成后，也可快速拆装，出门飞行方便携带。
  - ③机身内部，飞控、图传、天线、电池仓安装位置清晰，易于安装整理。最大可支持9寸螺旋桨。标配两个机头盖，安装云台，DJI高清图传或其他挂载设备时候，可选用平台头盖，便于安装挂载设备。
  - ④双垂尾和襟翼的设计，尾部预留了专属的相机位置，为尾拍飞机追逐镜头提供更好的后视角。同时也增加飞行时候的方向控制性能，同时更易于降落。
  - ⑤支持内置安装Gopro hero 9的固定翼，同时兼容Gopro hero 5/6/7安装。
- ①the killer whale is 1200mm wingspan twin motor fixed wing.
- ②The main wing can be quickly disassembled and assembled for easy carrying.
- ③Exclusive installation positions for the flight controller , VTX, antenna, and battery compartment, which are easy to install and organize. max support 9inch propeller.
- ④The double vertical tails are directly behind the propellers, which increase the control performance of the aircraft rudder and make it easier to land.
- ⑤Supports Gopro hero 9 and is compatible with hero 5/6/7 installation on the head or rear.

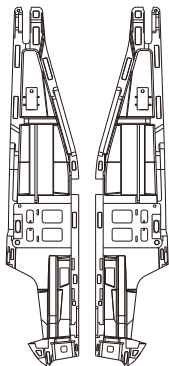
# Specifications/规格

Killer Whale Specifications/虎鲸规格	
Wingspan/翼展:	1255mm
Length/长度:	890mm
WingArea/翼面积:	21dm <sup>2</sup>
Material/材料:	EPP
Servo Specs/基础飞行舵机:	9g Servo*300mm*5Pcs
Flap Servo/襟翼舵机:	9g Servo*200mm*2Pcs (包含1个反向舵机)
Recommend Motor/推荐电机:	2306~2212
Recommend ESC/推荐电调:	30A 2~4S
Recommend Propeller/推荐螺旋桨:	7040-3
Recommned Battery/推荐电池:	21700 2p4s

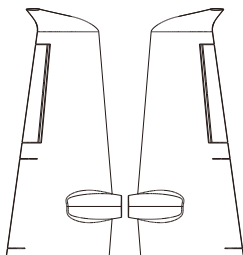
# Version Description/版本说明

Killer Whale Packing List/虎鲸配置表					
Version	KIT LITE	KIT	PNP	FPV	
Description (EN)	Un-assembled KIT (User need glue the plane)	Pre-Build KIT	Assembled KIT (need install the electronics)	PNP version of plane (need install the electronics)	
	ATOMRC KWPDBV2 KIT		2306 1400KV Motor*2pcs	FOXEEER Toothless Nano	
	Extension cable		BLS 30A ESC*2pcs		
	Screws and Nuts		9g Servo*300mm*5Pcs		
	Woodplate		9g Servo*200mm*2Pcs (For Flap)		ATOMRC Exceed TX15 VTX
	Sticker and user maunal		7040-3 Prop*1Pair		5.8G 2dB Antenna
规格描述 (CN)	泡沫配件全不组装 (用户需自备胶水组装)	泡沫配件预组装KIT	包含 KIT的所有配件 (电子设备不组装)	包含PNP的所有配件 (电子设备不组装)	
	ATOMRC KWPDBV2 集线板套件		2306 1400KV Motor*2个	Foxeer 无牙仔 Nano摄像头	
	基础延长线材		BLS 30A ESC*2个		
	基础安装螺丝、拉杆套件		9g Servo*300mm*5个		ATOMRC Exceed TX15 V2图传
	木片套件、贴纸		9g Servo*200mm*2个 (襟翼舵机)		
	贴纸、说明书		7040-3 Prop*1对		5.8G 2dB Antenna

# KIT Contents



A



B



C



D



E



F



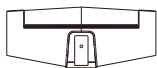
G



H



I



J



K



L

A: Fuselage  
左右机身

B: WING  
左右机翼

C: Front hatch cover  
电池舱盖\*2

D: Motor hatch cover  
发动机舱盖

E: Wing wiring cover  
机翼线槽盖

F: Landing gear cover  
起落架盖

G: Bottom hatch cover  
机身底盖

H: Top hatch cover  
机身顶盖

I: Rudder  
左右垂尾

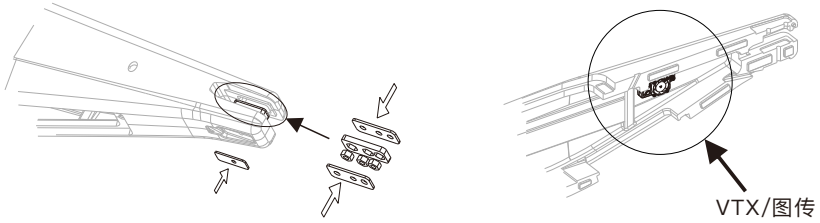
J: Tail  
水平尾翼

K: GoPro hatch cover  
机头盖\*4

L: Nose  
低风阻头盖

# KIT Lite Installation/KIT Lite安装指南

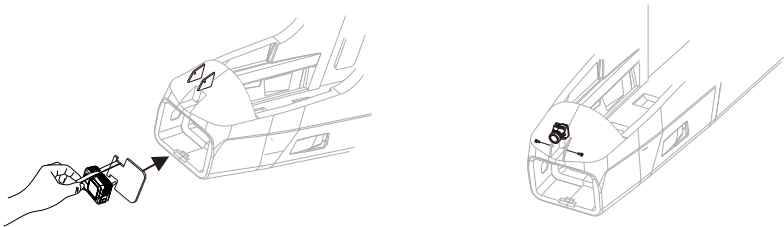
1



将机身木片和图传固定木片、安装到机身上。  
Install the Nuts on the tail, VTX mount on the fuselage.

---

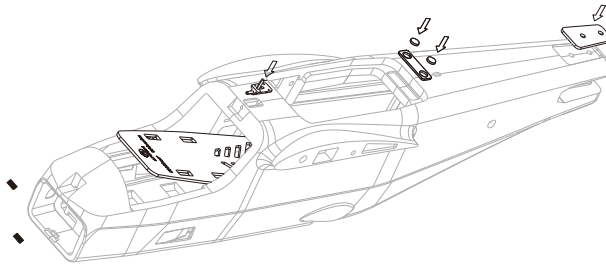
2



将固定摄像头的碳片安装到机头。将相机固定木片安装到机头。  
Install the carbon plate mount for camera.

---

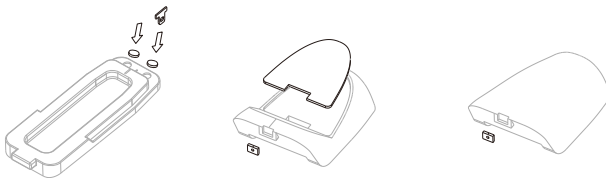
3



将圆形磁铁、舱盖扣、木片、方形磁铁安装到机身上。  
将方形磁铁安装到机身前面。  
Install the magnet, hatch lock, wood plate on the fuselage.

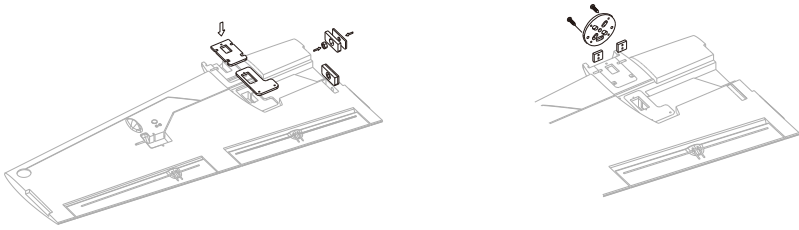
---

4



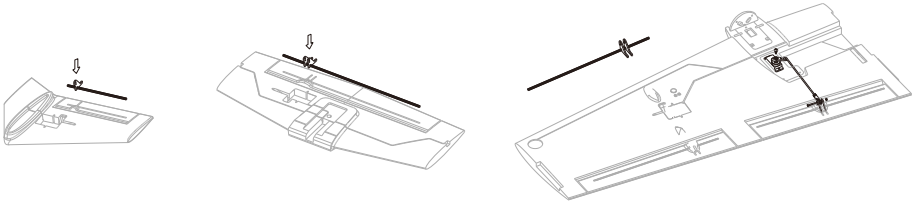
将磁铁、舱盖木片安装到盖子上。  
Install the magnet on each hatch cover.

5



将机翼的木片和电机固定的木片、安装到左右机翼上。  
Install the Nuts and motor mount on the wing.

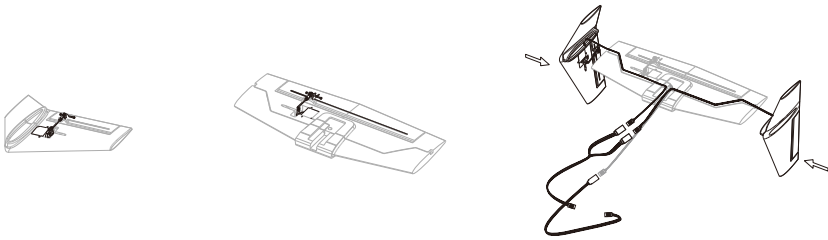
6



将舵角和舵角碳杆，安装至各个舵面。  
Install the control horn on each control surface.

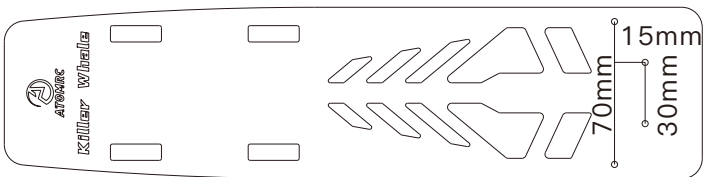
## KIT/PNP/FPV Installation/安装指南

1



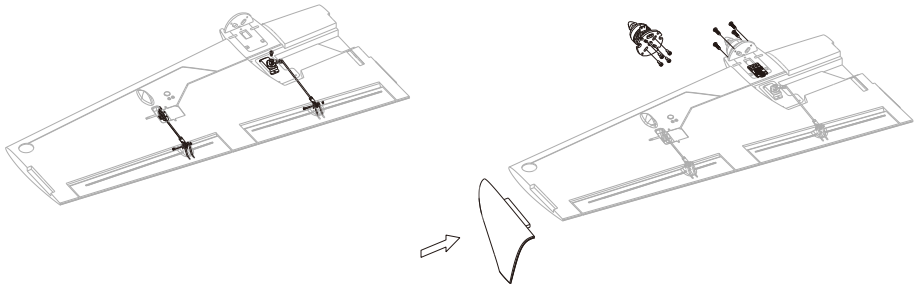
将舵机安装到垂尾、平尾，居中调试后，安装拉杆。粘合左右垂尾。  
Install the servo and push rods, then install the rudder.

2



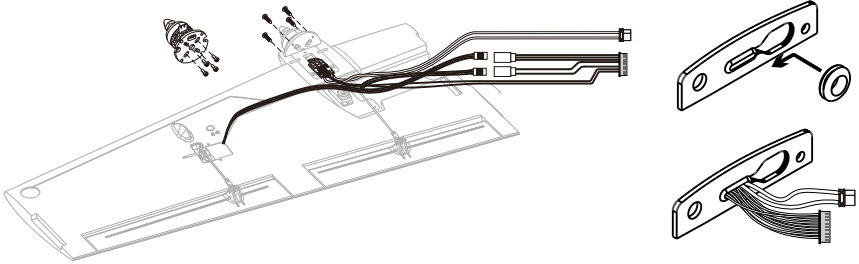
起落架孔位尺寸  
Landing gear mounting hole position

2



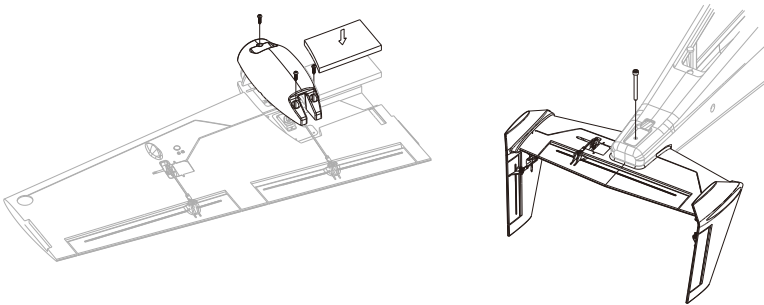
将舵机安装到左右机翼上，居中调试后，安装拉杆。粘合翼尖。  
Install the Motor, ESC, servo and push rods, and install the wing tip.

3



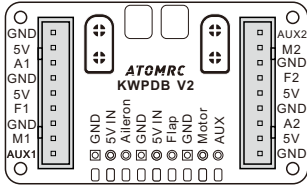
将快拆并联线穿过橡胶圈。  
将机翼舵机插到快拆线上。油门信号、电调电源线焊接到电调上。  
Install the quick detach wire with rubber ring, plug the servo, ESC to the wire. then wire the Power distribution board.

4



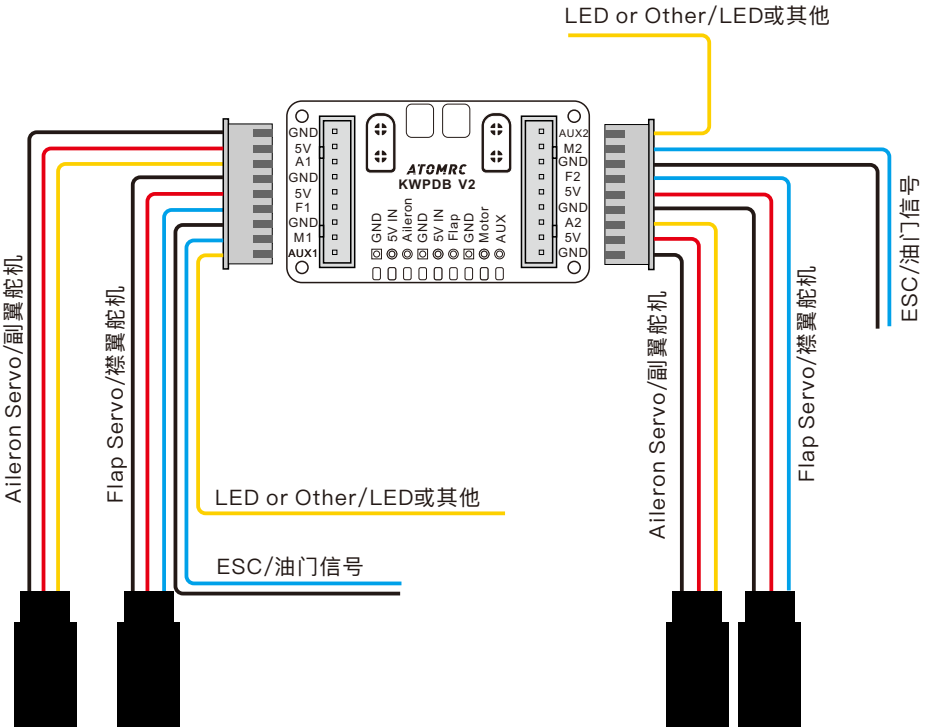
安装发动机舱盖、安装快拆尾翼。  
Install the Motor hatch cover , and install the Rudder and Tail.

# ATOMRC KWPDBV2 /集线板安装说明



此处连接飞控或者接收机，左右机翼的信号已并联，排针和焊线二选一使用。  
 任意一个5V In输入，副翼和襟翼舵机都会同时供电，  
 建议仅使用1路5V BEC对所有舵机进行供电。

The signal on the wing is parallel on the PDB, the PDB need external 5V BEC to power the servo.





# ESC Information/电调说明

## Throttle calibration /电调油门校准

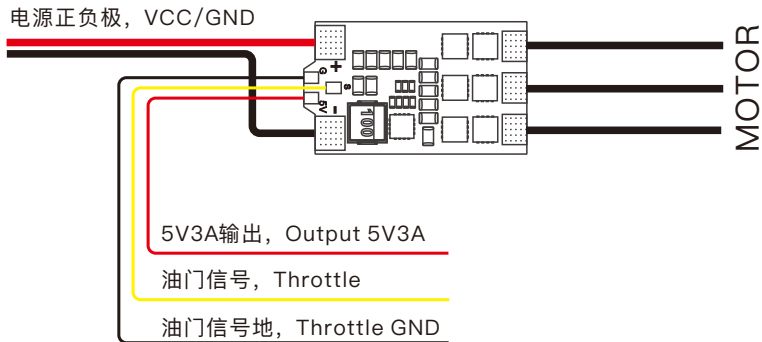
1.The ESC included with the model has a safe start.If the motor battery is connected to the ESC and the throttle stick is not in the low throttle or off position,the motor will not start untill the throttle stick is moved to the low throttle or off position.

2.Power on the ESC(The ESC must connect to the motor and Receiver). The motor will emit a series of beeps, after the beeps, set the the throttle stick the the minimum, the motor will emit a series beep again. now the ESC calibration is done.

1.电调具有安全启动设置，当电机、电池连接电调后，电调信号未处于最低位置，电调输出不会启动。

2.电调油门校准：请先拆卸螺旋桨，将油门摇杆移动到最高位置后通电，当哔哔声结束后，迅速将油门摇杆移动到最低位置，哔哔声音结束，油门校准成功。

## ESC 接线图 /电调接线图



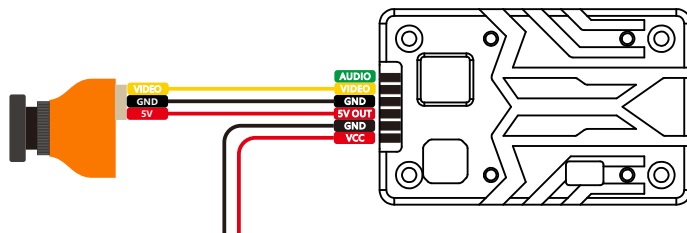
Voltage input/电压输入范围: 2~4S Lipo

Max Current/最大电流: 35A

Output/输出: Built in 5V 3A BEC/内置5V 3A BEC

# VTX Tx15 Uermanual/图传说明书

## Tx15 Wiring Diagram/Tx15图传接线图



Please make sure antenna is installed before power on, otherwise the VTX will be fried!!!  
图传发射机通电前务必确认天线已安装妥当，否则发射线会烧毁!!!

## Tx15 Specs/Tx15规格参数

Voltage input/电压输入范围: 2~6S Lipo Power/功率: 200/800/1500mw Switchable  
Power consumption/功耗: 9V 1.1A Frequency/频率: 5.3~5.9Ghz

Band	Channel							
	1	2	3	4	5	6	7	8
Band A	5865	5845	5825	5805	5785	5765	5745	5725
Band B	5733	5752	5771	5790	5809	5828	5847	5866
Band E	5705	5685	5665	5645	5885	5905	5925	5945
Airwave/FS	5740	5760	5780	5800	5820	5840	5860	5880
Race Band	5658	5695	5732	5769	5806	5843	5880	5917
L Band	5362	5399	5436	5473	5510	5547	5584	5621

## VTX Setting/图传设置

1. Hold button 3 seconds into setting mode.
  2. In setting mode, short press the button to change band.
  3. Then hold button 3 seconds into CH setting mode, short press button to change CH.
  4. Hold button 3 seconds to get into Power setting mode, there is short bar on LED, short press to switch power, 1 bar means 200mW, 2 bar means 800mW, 3 bar means 1500mW.
1. 长按设置按键三秒，进入波段设置模式。
  2. 在设置模式下，短按按键切换波段。
  3. 再次长按按键三秒钟，进入频道切换模式，短按按键切换频道。
  4. 再次长按按键三秒钟，进入切换功率模式，短按按键切换功率，数码管一条为200mw，两条为800mw，三条为1500mw。

Please download the latest user manual at  
[www.atomrc.com/pages/download](http://www.atomrc.com/pages/download)

