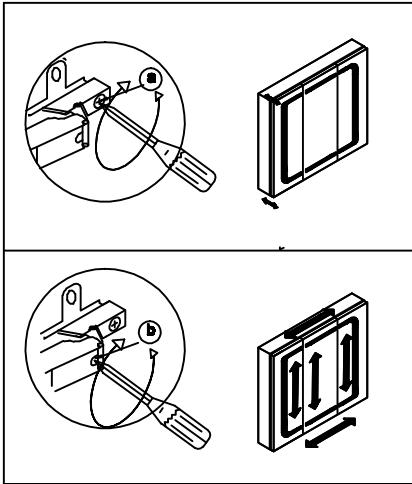
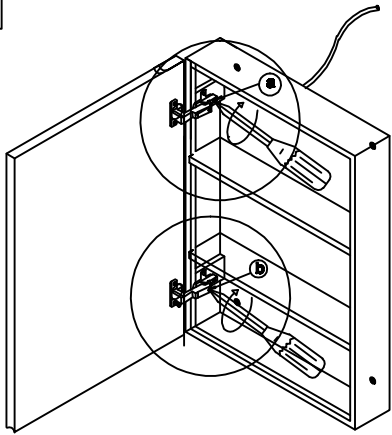


5

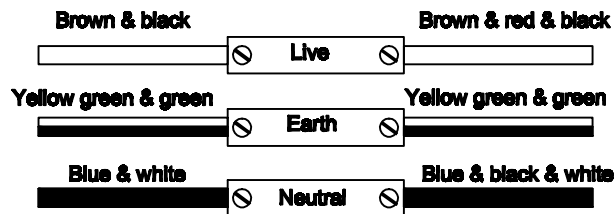


Loosen screw A adjust gap between mirror door+cabinet body until satisfied  
Re-tighten screw careful not to overtighten

Loosen screw B adjust alignment of mirror door to the cabinet body until satisfied, Re-tighten screw careful not to overtighten

6

**Wiring diagram for input**



7

