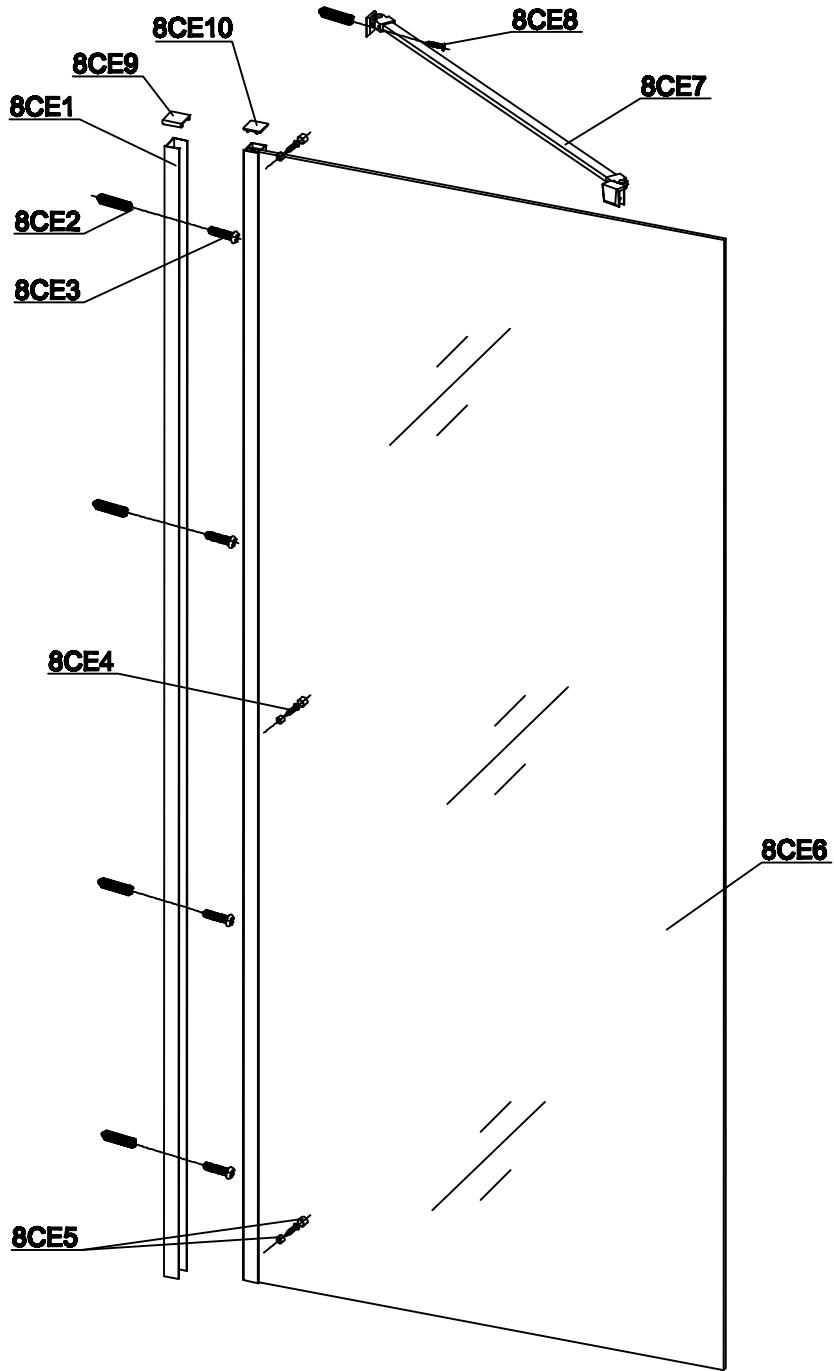


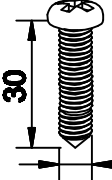
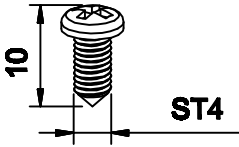
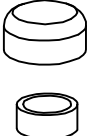
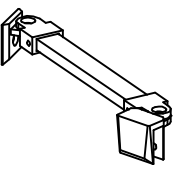
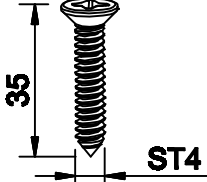
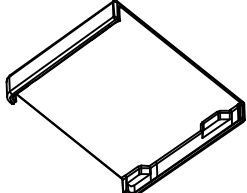
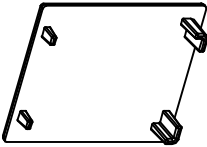
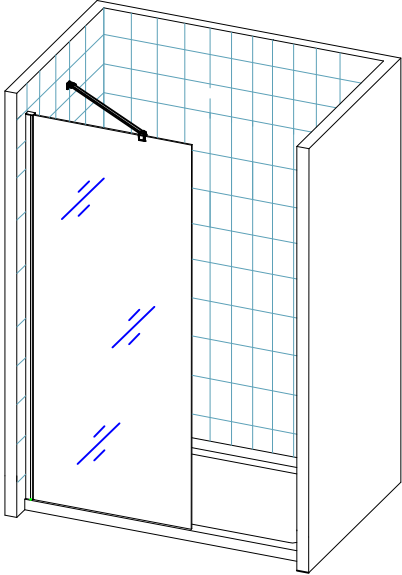
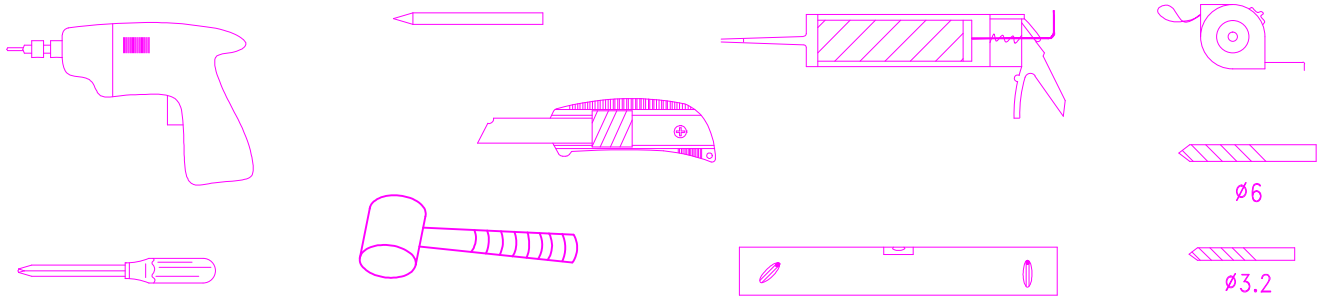


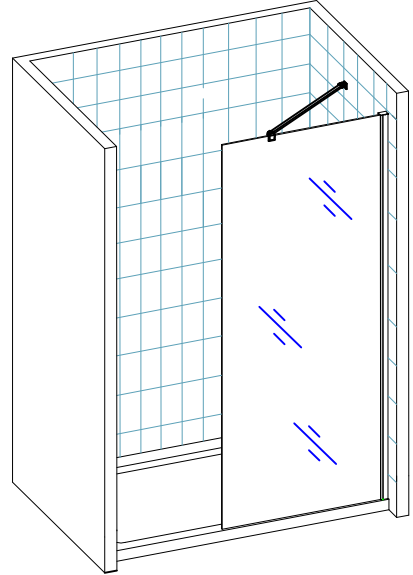
GWR Series



8CE1  x1	8CE2  x5	8CE3  x4	8CE4  x3	8CE5  x3
8CE7  x1	8CE8  x1	8CE9  x1	8CE10  x1	

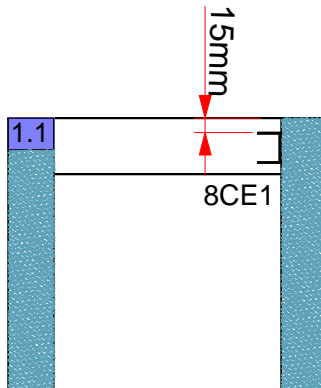
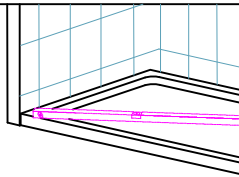
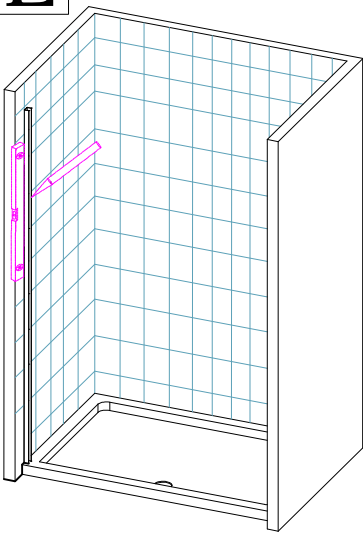


LH

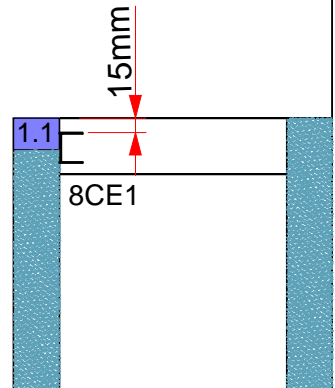
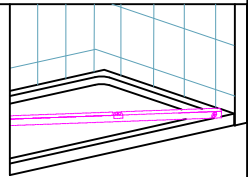
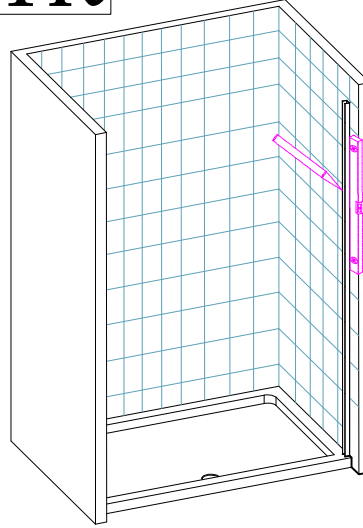


RH

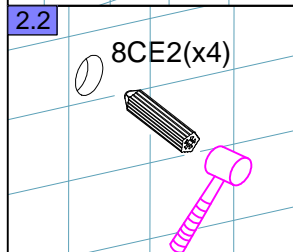
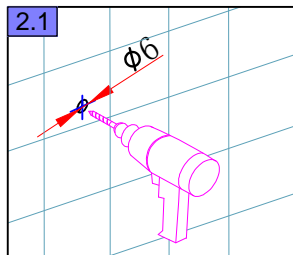
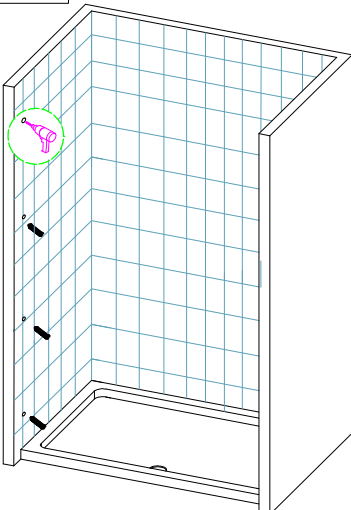
1L



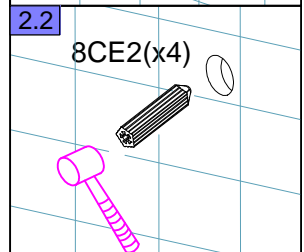
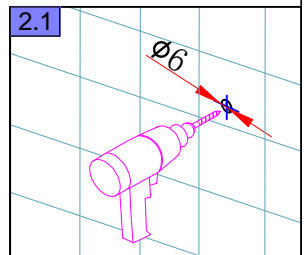
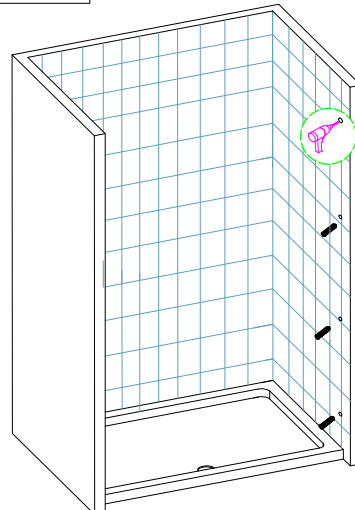
1R



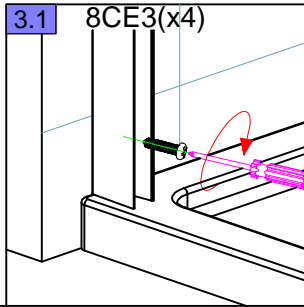
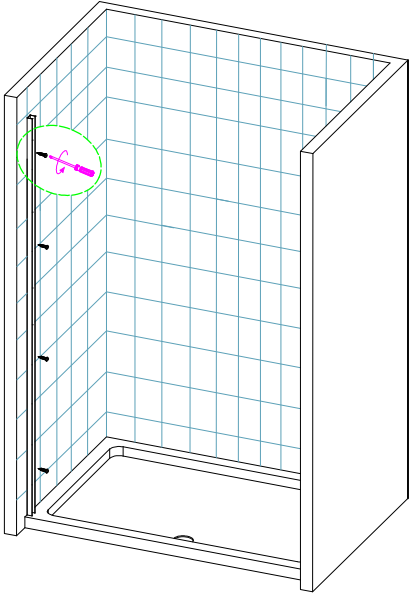
2L



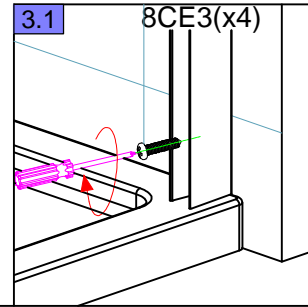
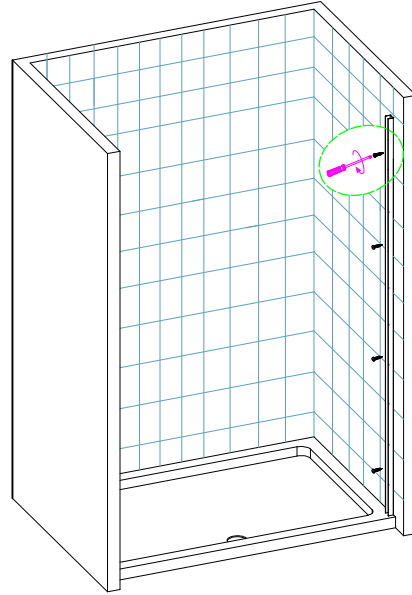
2R



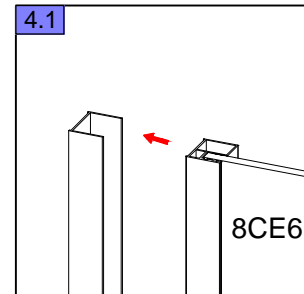
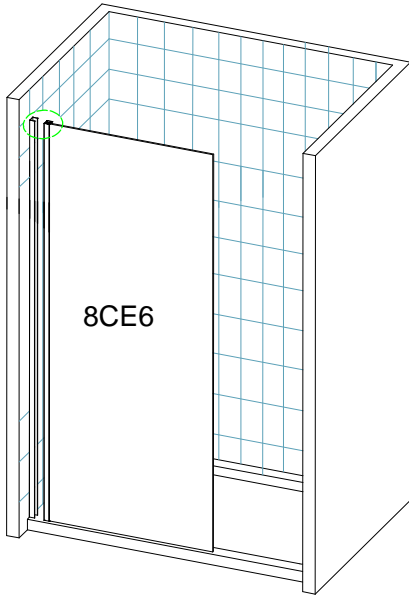
3L



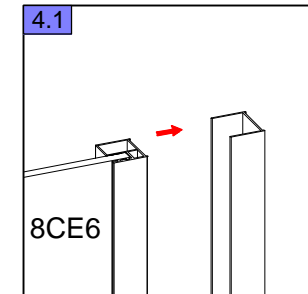
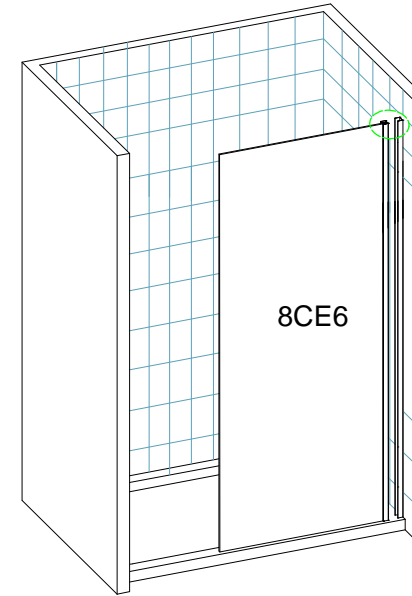
3R



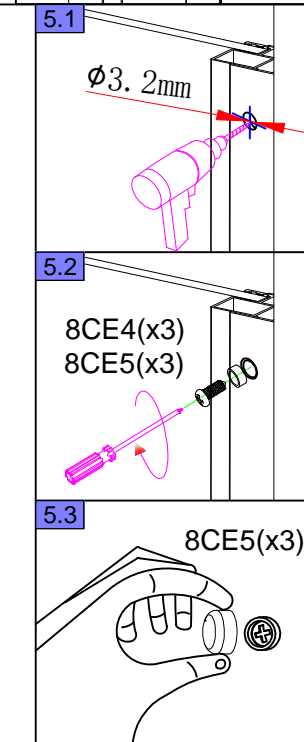
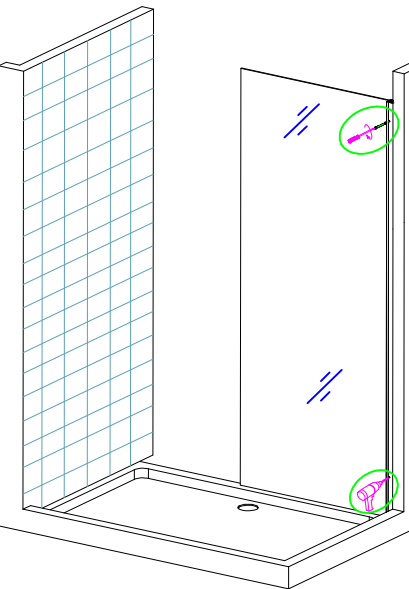
4L



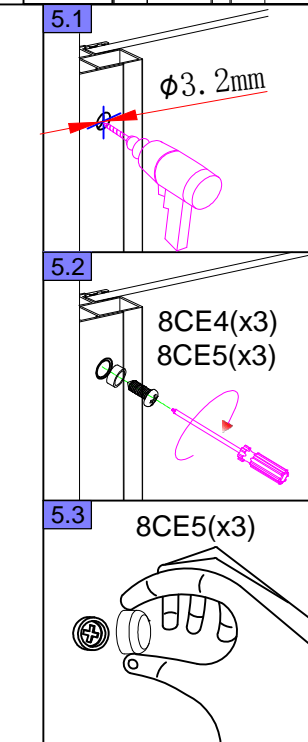
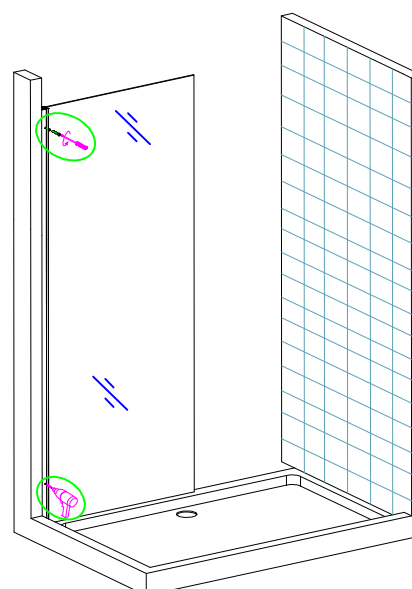
4R



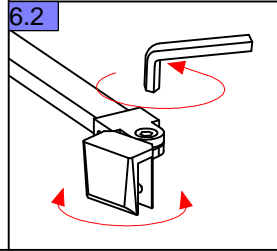
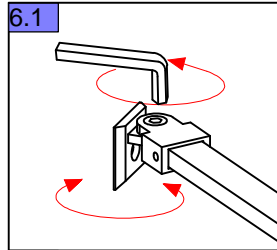
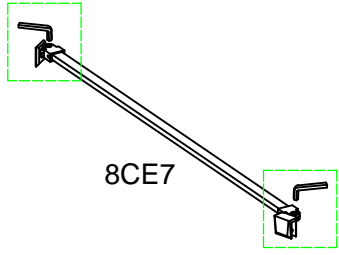
5L



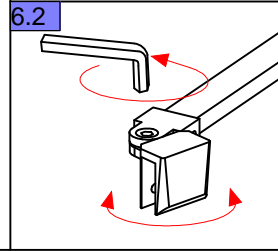
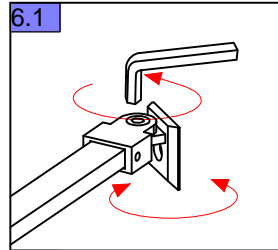
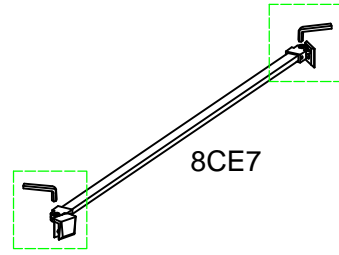
5R



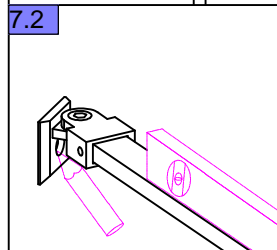
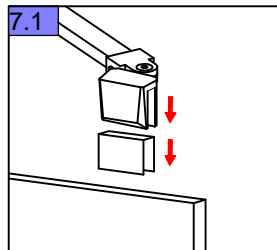
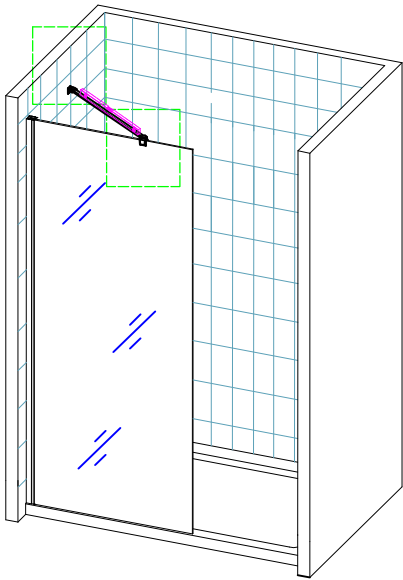
6L



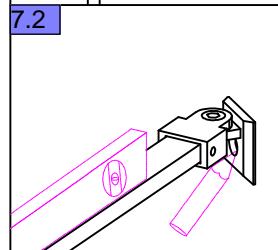
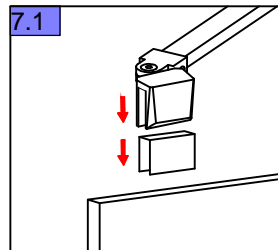
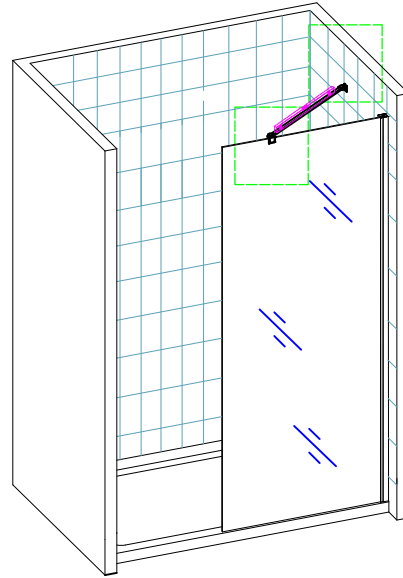
6R



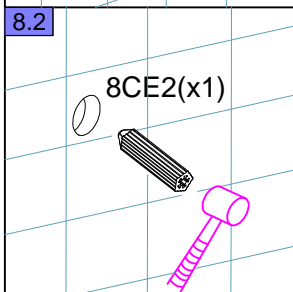
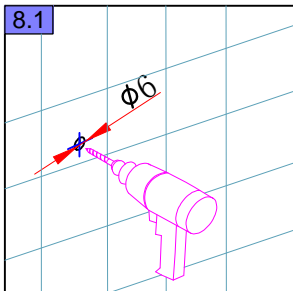
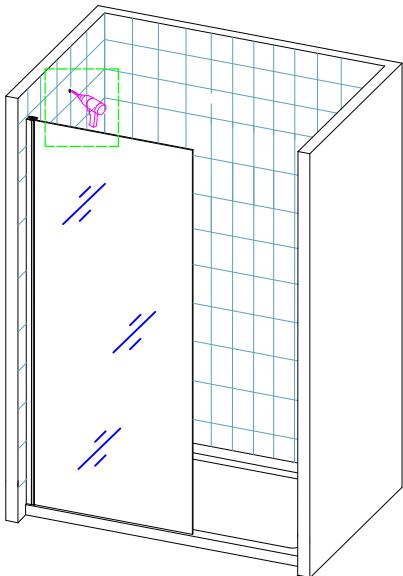
7L



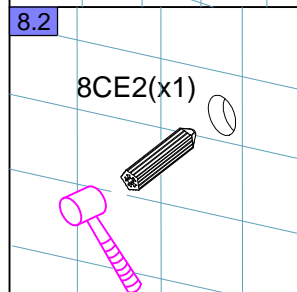
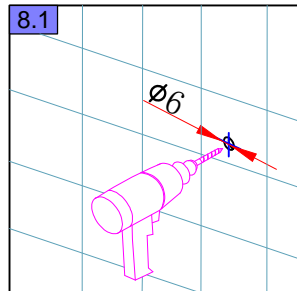
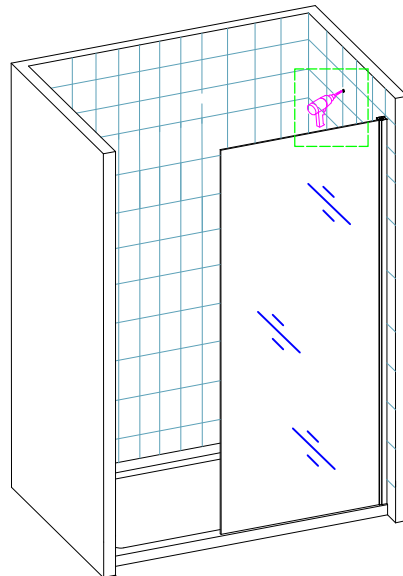
7R



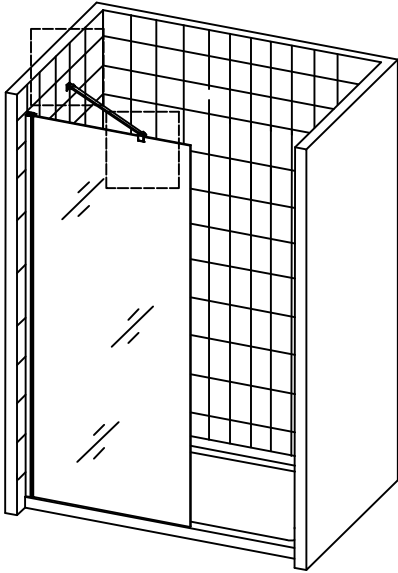
8L



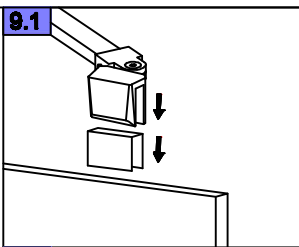
8R



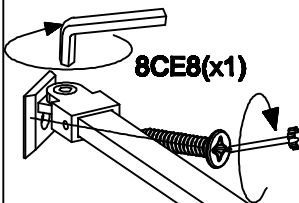
9L



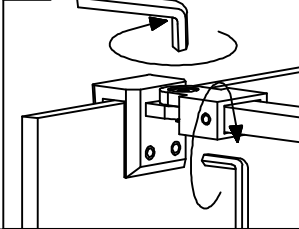
9.1



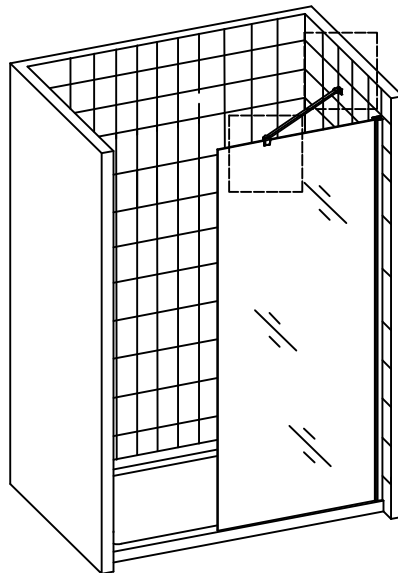
9.2



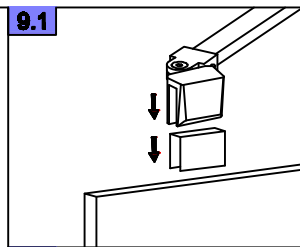
9.3



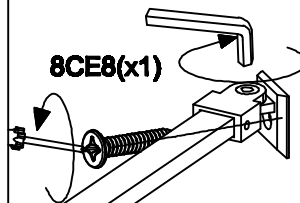
9R



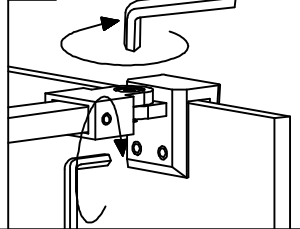
9.1



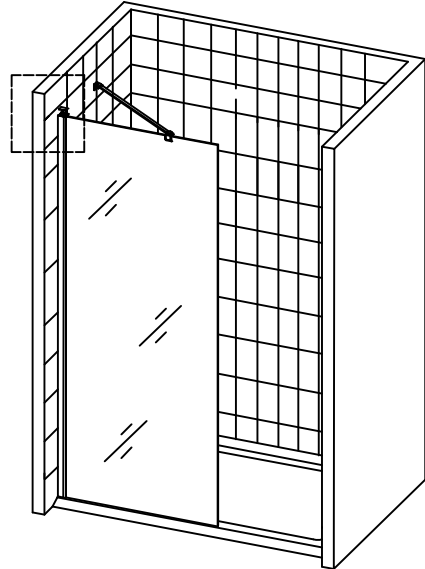
9.2



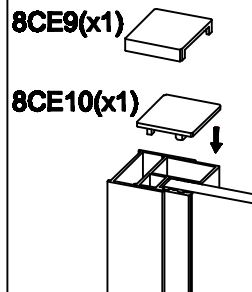
9.3



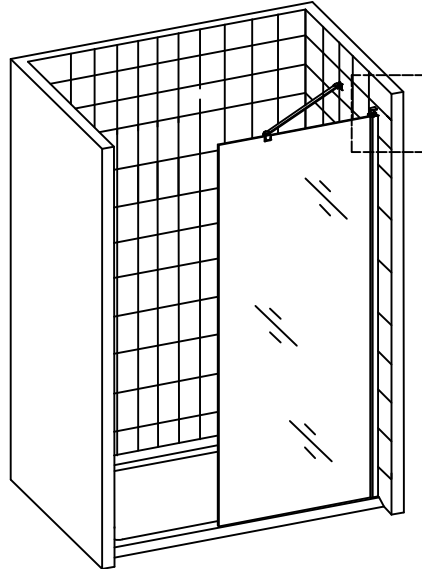
10L



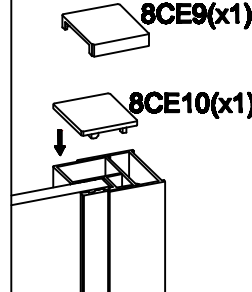
10.1



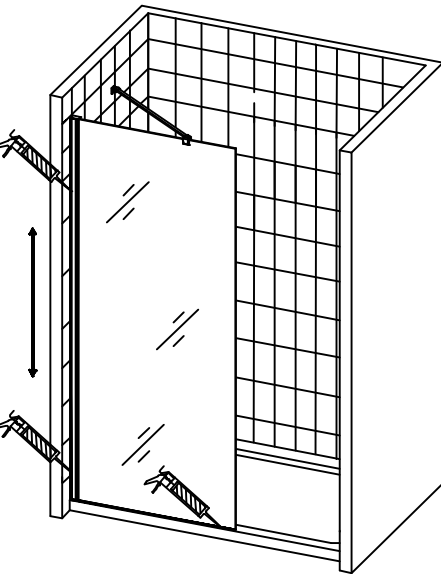
10R



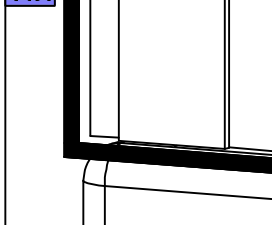
10.1



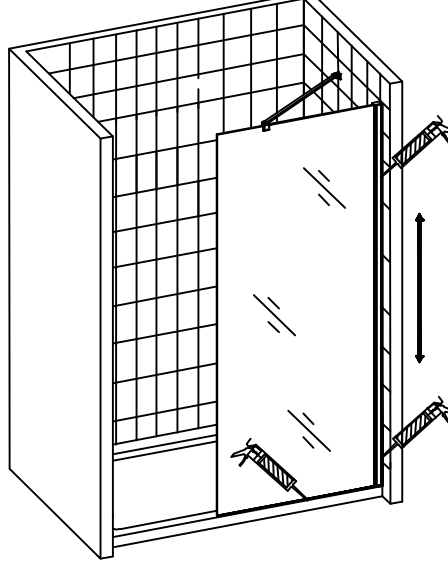
11L



11.1



11R



11.1

