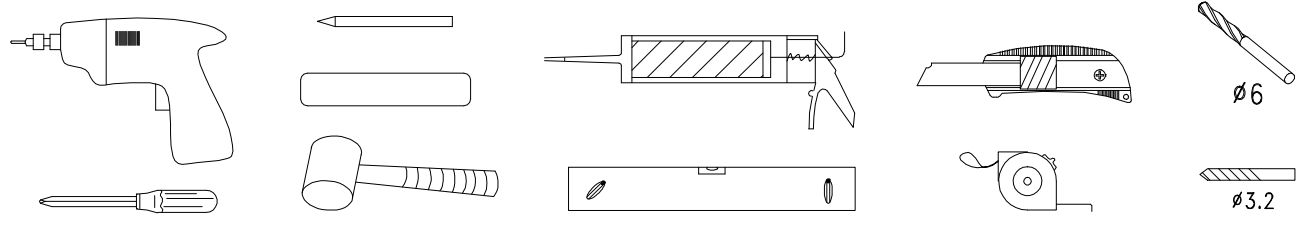
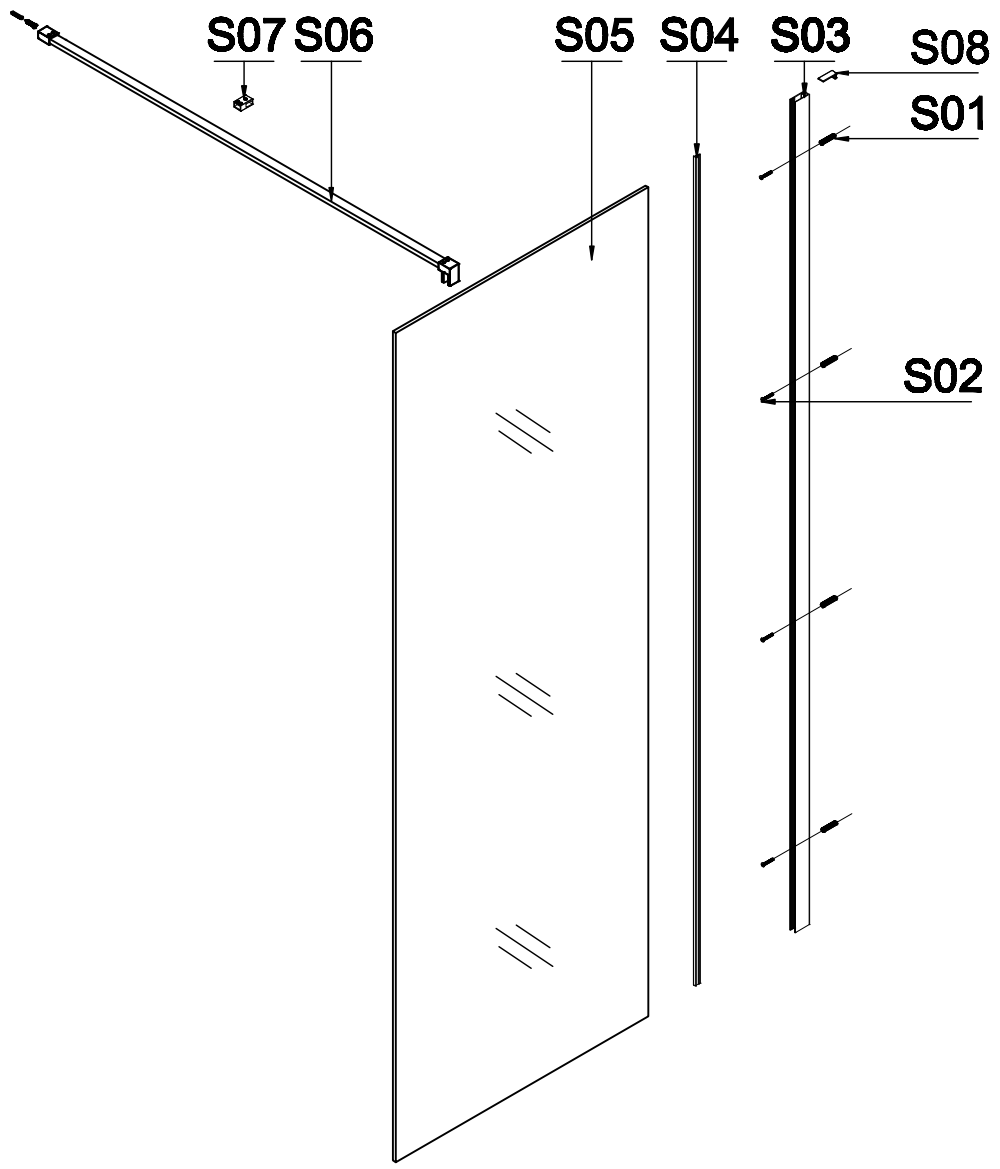
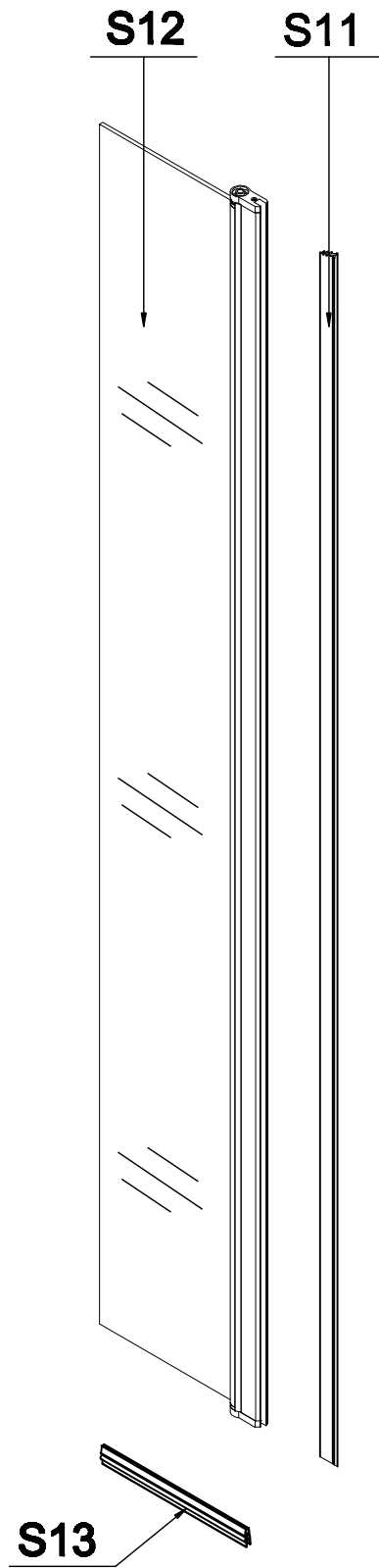


GWR-A Series



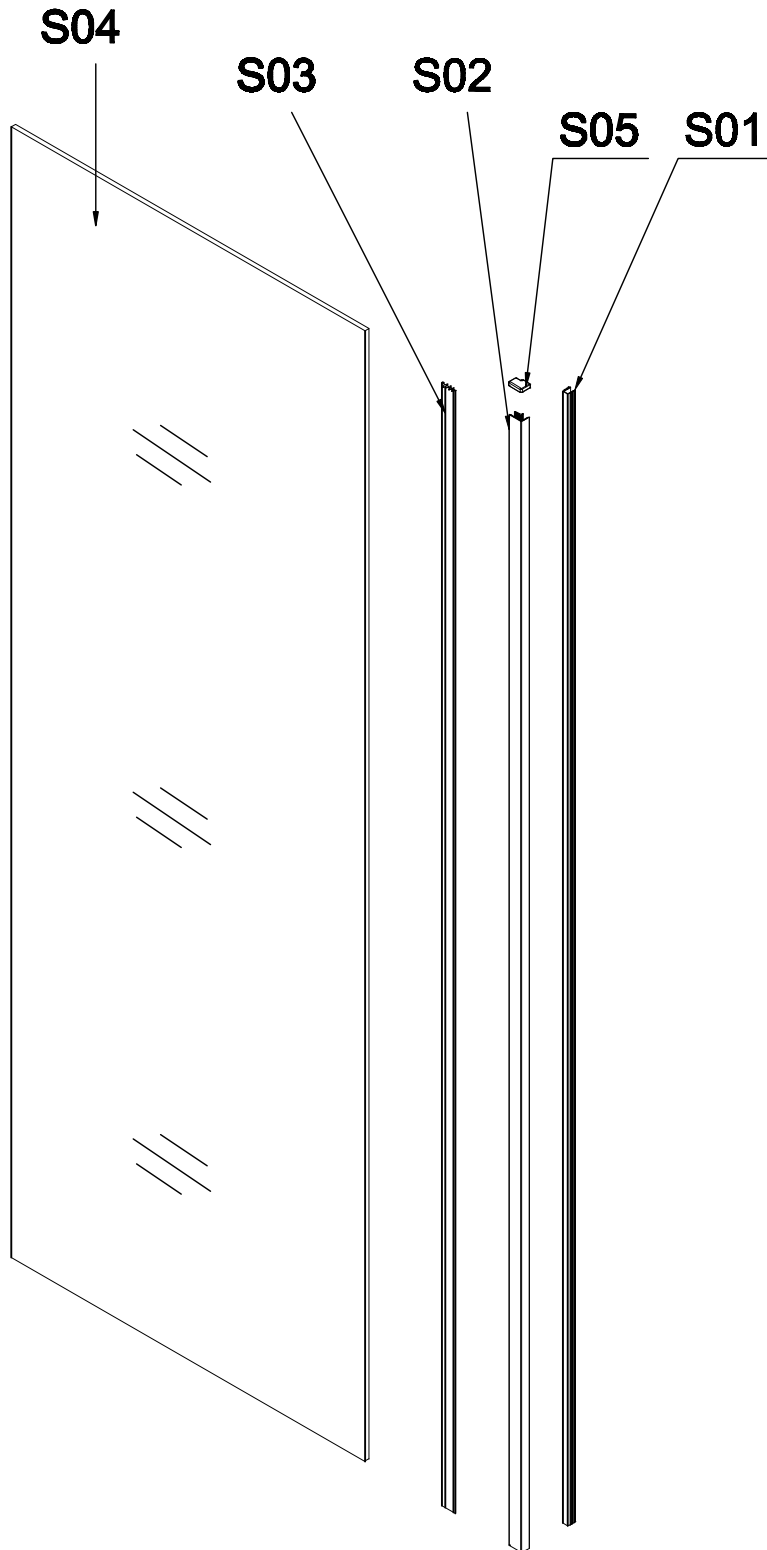
<p>S01</p> <p>30 ST4</p> <p>5x</p>	<p>S02</p> <p>5x</p>	<p>S03</p> <p>1x</p>	<p>S04</p> <p>1x</p>	<p>S07</p> <p>1x</p>
<p>S06</p> <p>1set</p>	<p>S08</p> <p>1x</p>	<p>S09</p> <p>M5 1x M4 1x</p>	<p>S10</p> <p>1x</p>	

GWR-B Series



S01  1x	S02  1x			
--	--	--	--	--

GWR-C Series

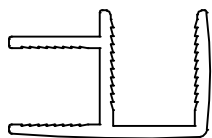


S01



1x

S02



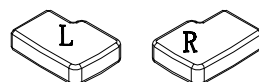
1x

S03



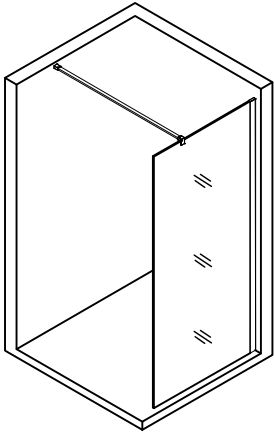
1x

S05

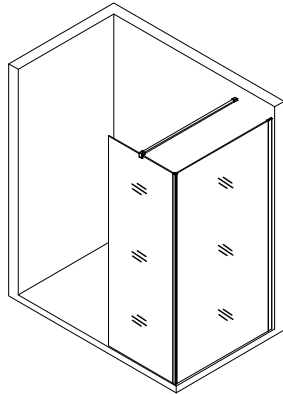


2x

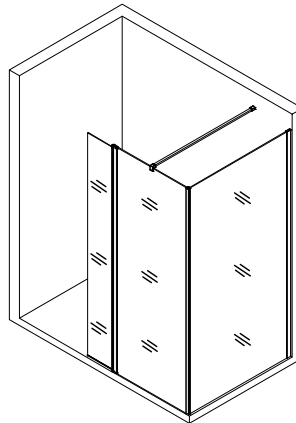
A



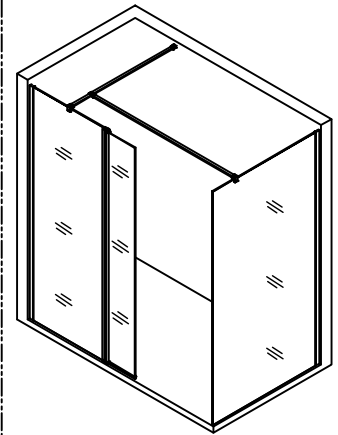
A+C



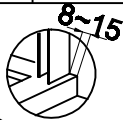
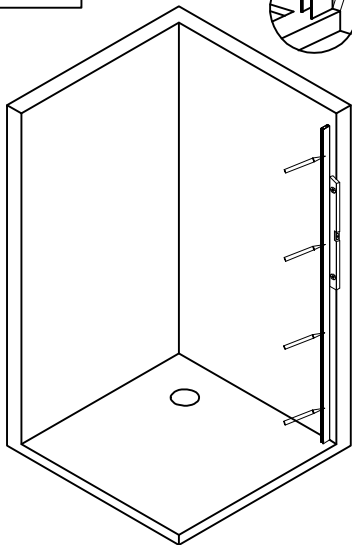
A+B+C



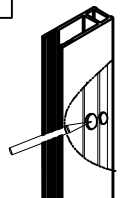
2A+B



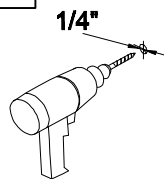
1



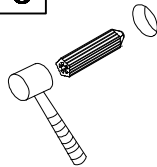
1.1



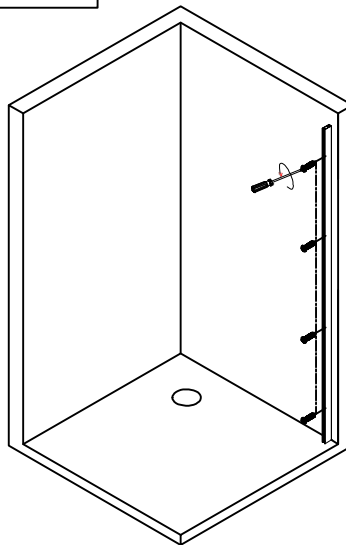
1.2



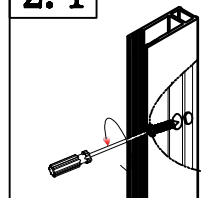
1.3



2

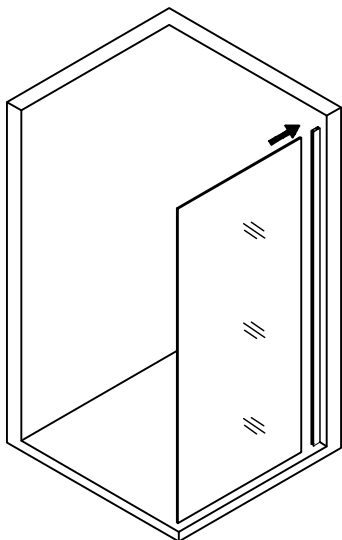


2.1

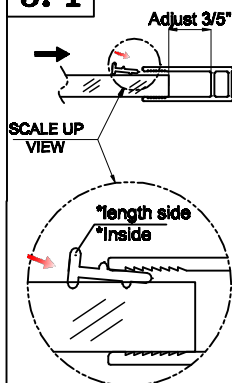


3

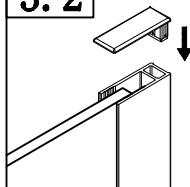
A



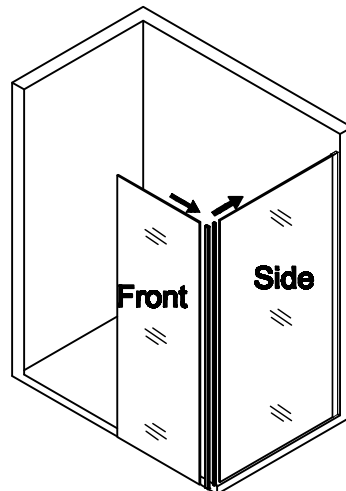
3.1



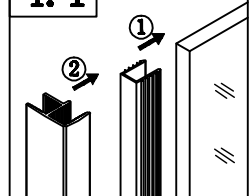
3.2



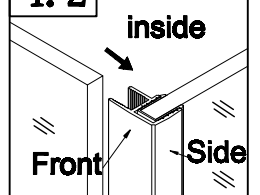
4



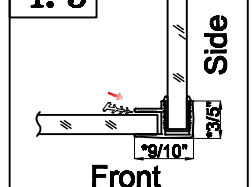
4.1

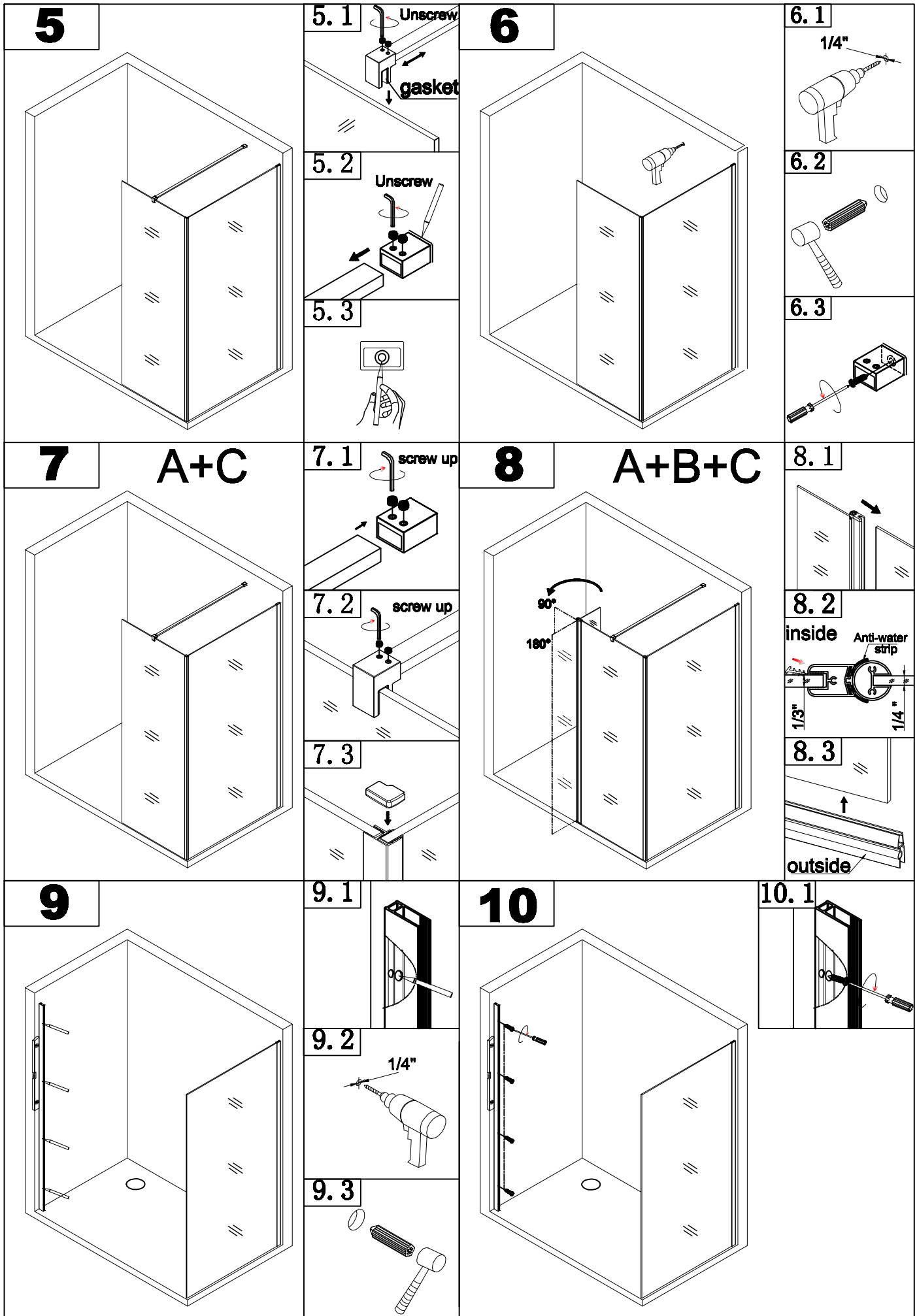


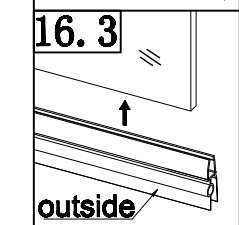
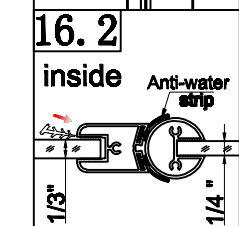
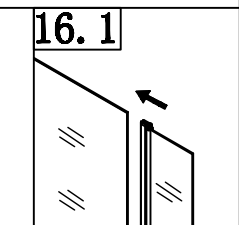
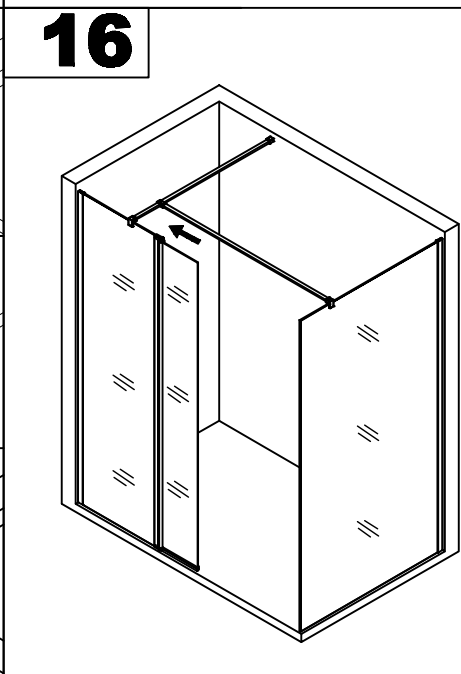
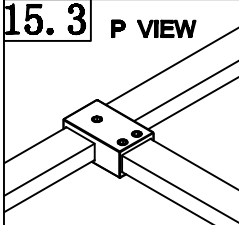
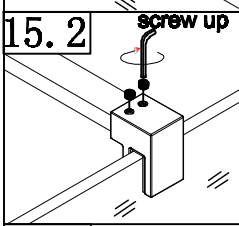
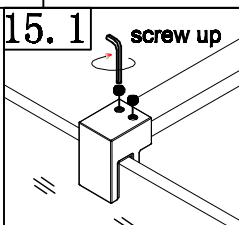
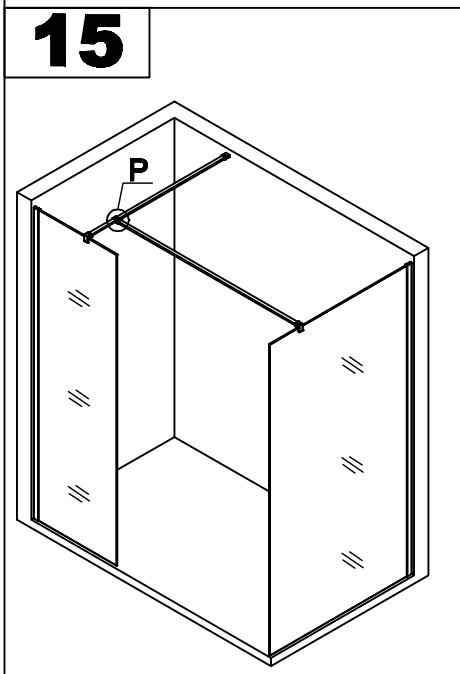
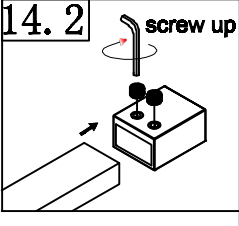
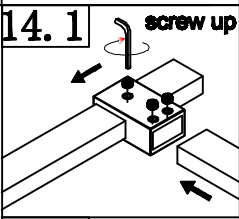
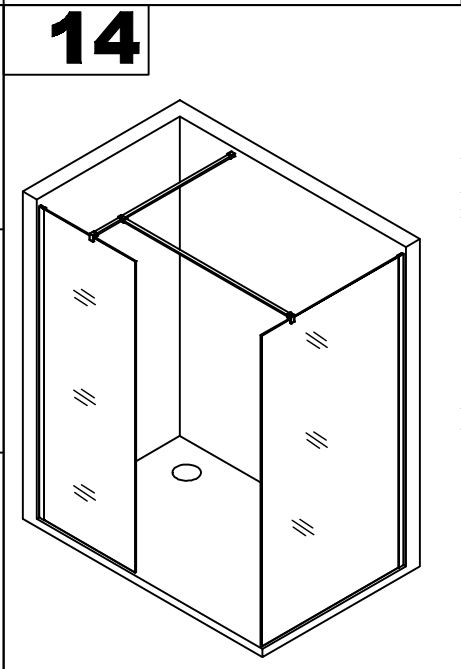
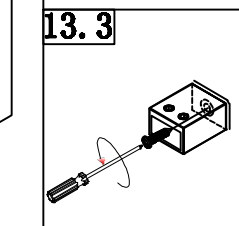
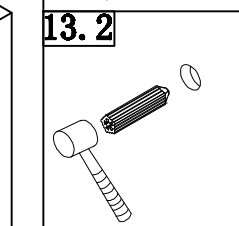
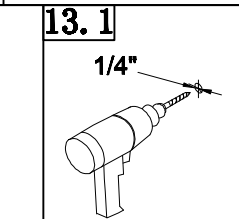
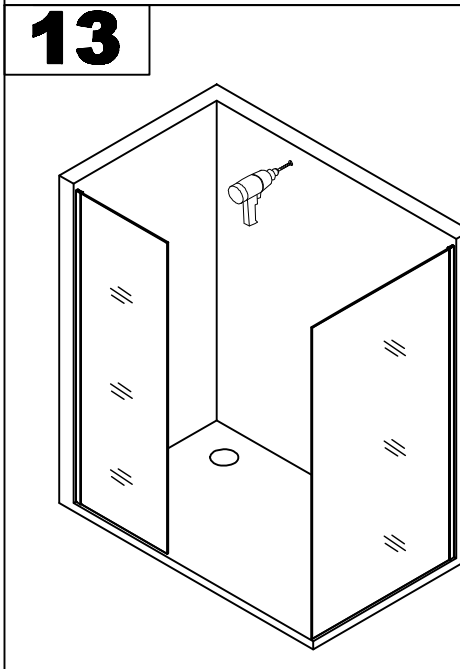
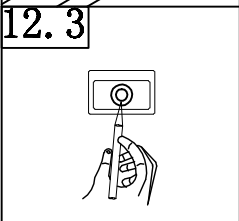
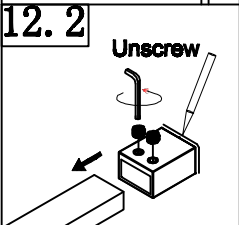
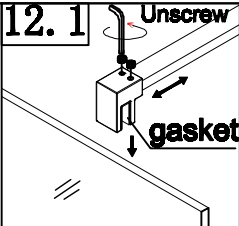
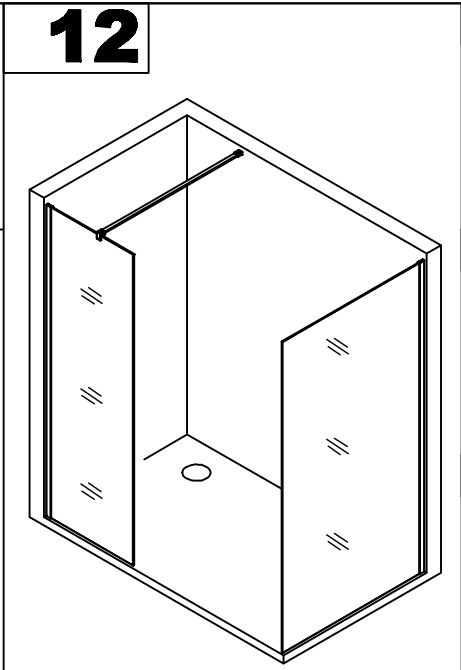
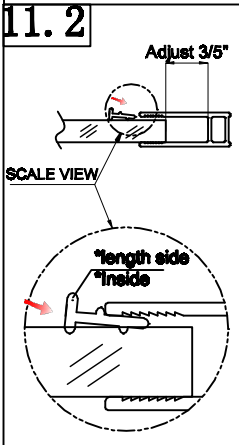
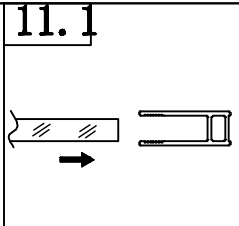
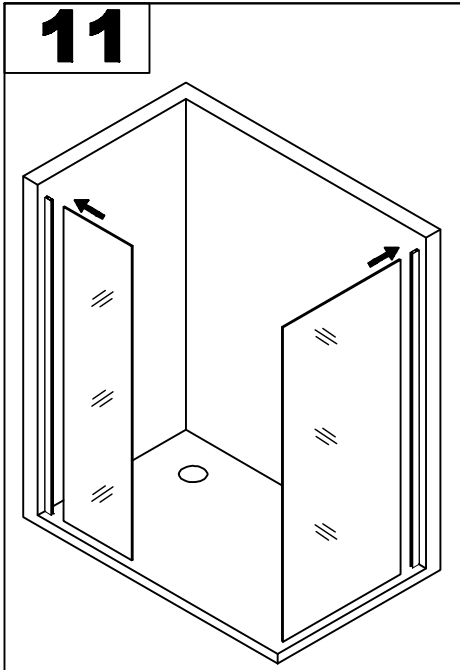
4.2



4.3

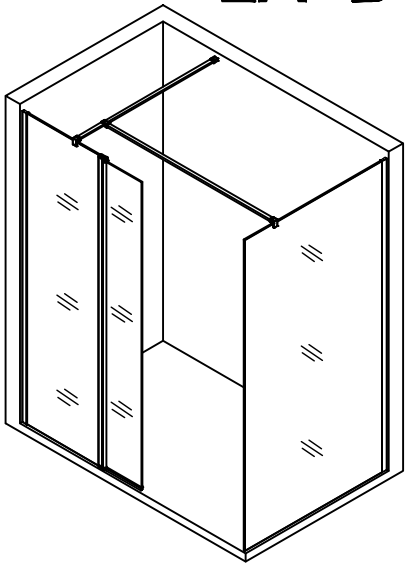




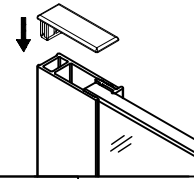


17

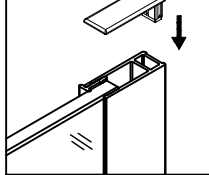
2A+B



17.1

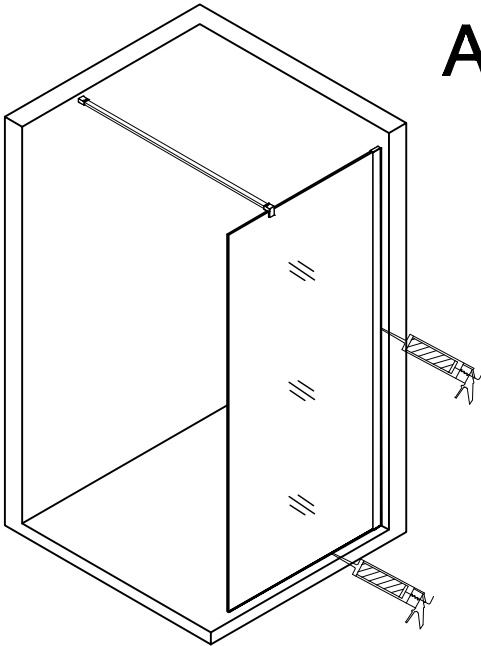


17.2

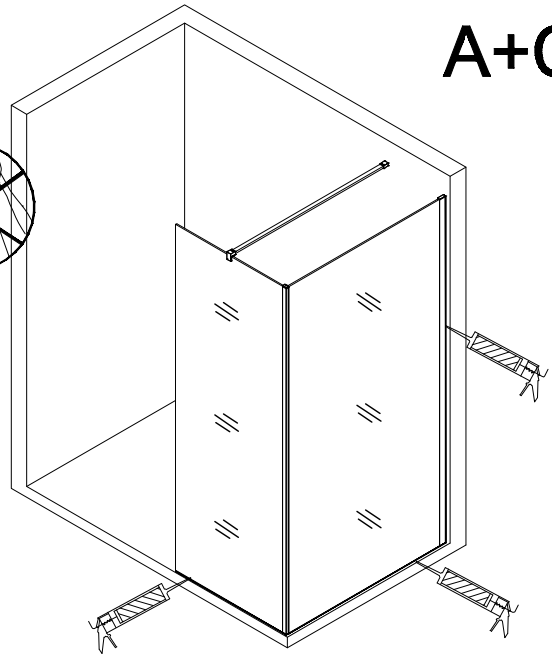


18

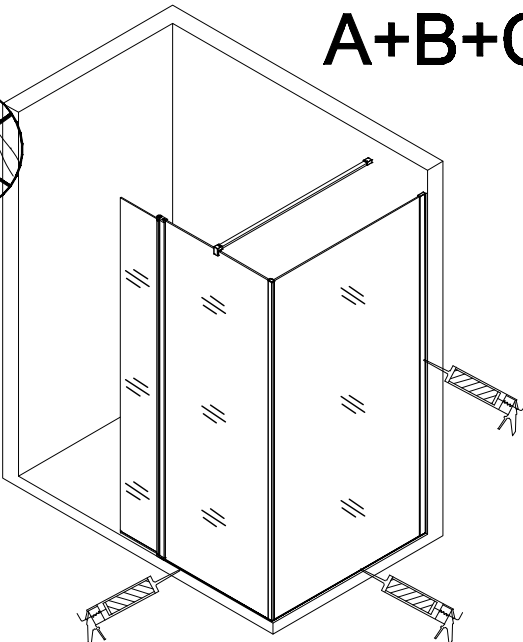
A



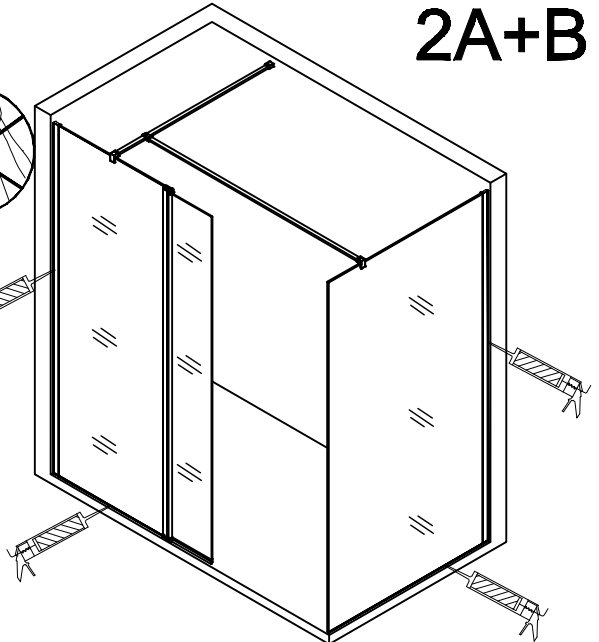
A+C



A+B+C

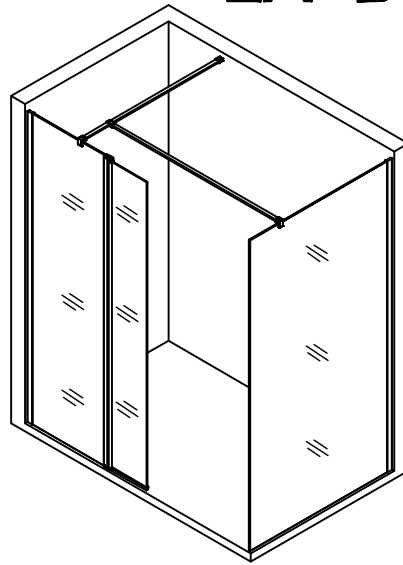


2A+B

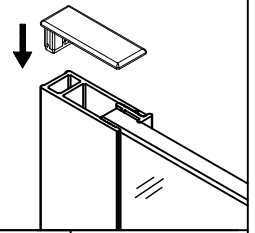


17

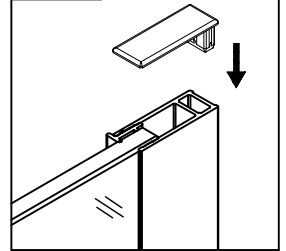
2A+B



17.1

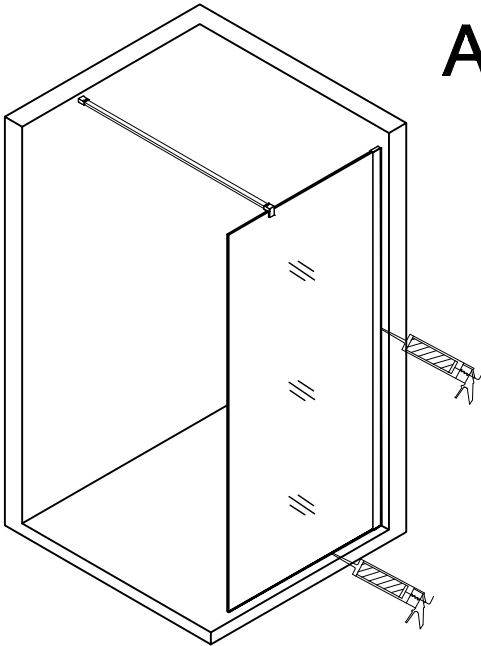


17.2

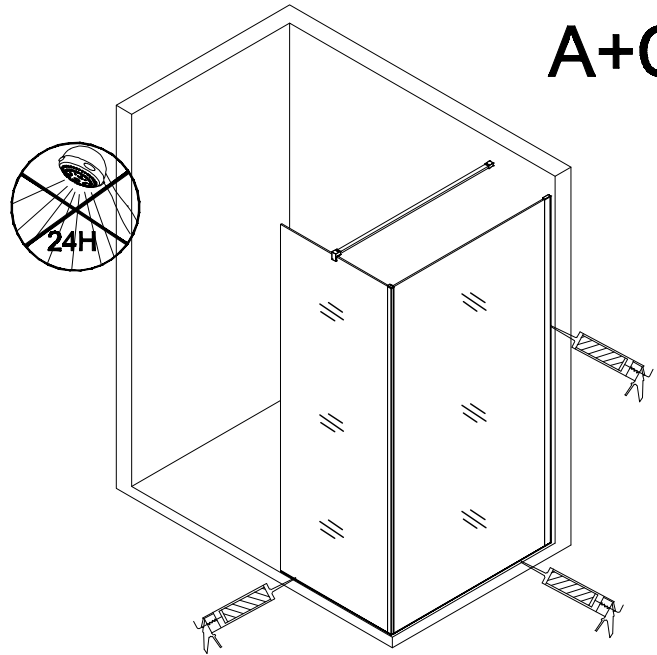


18

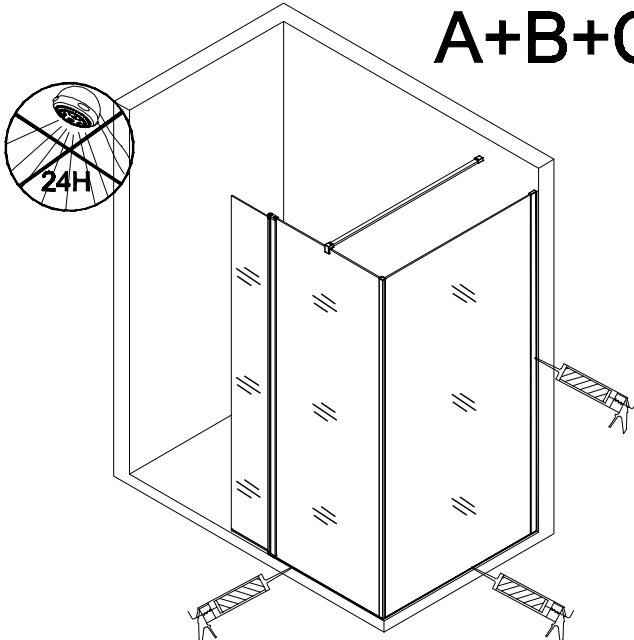
A



A+C



A+B+C



2A+B

