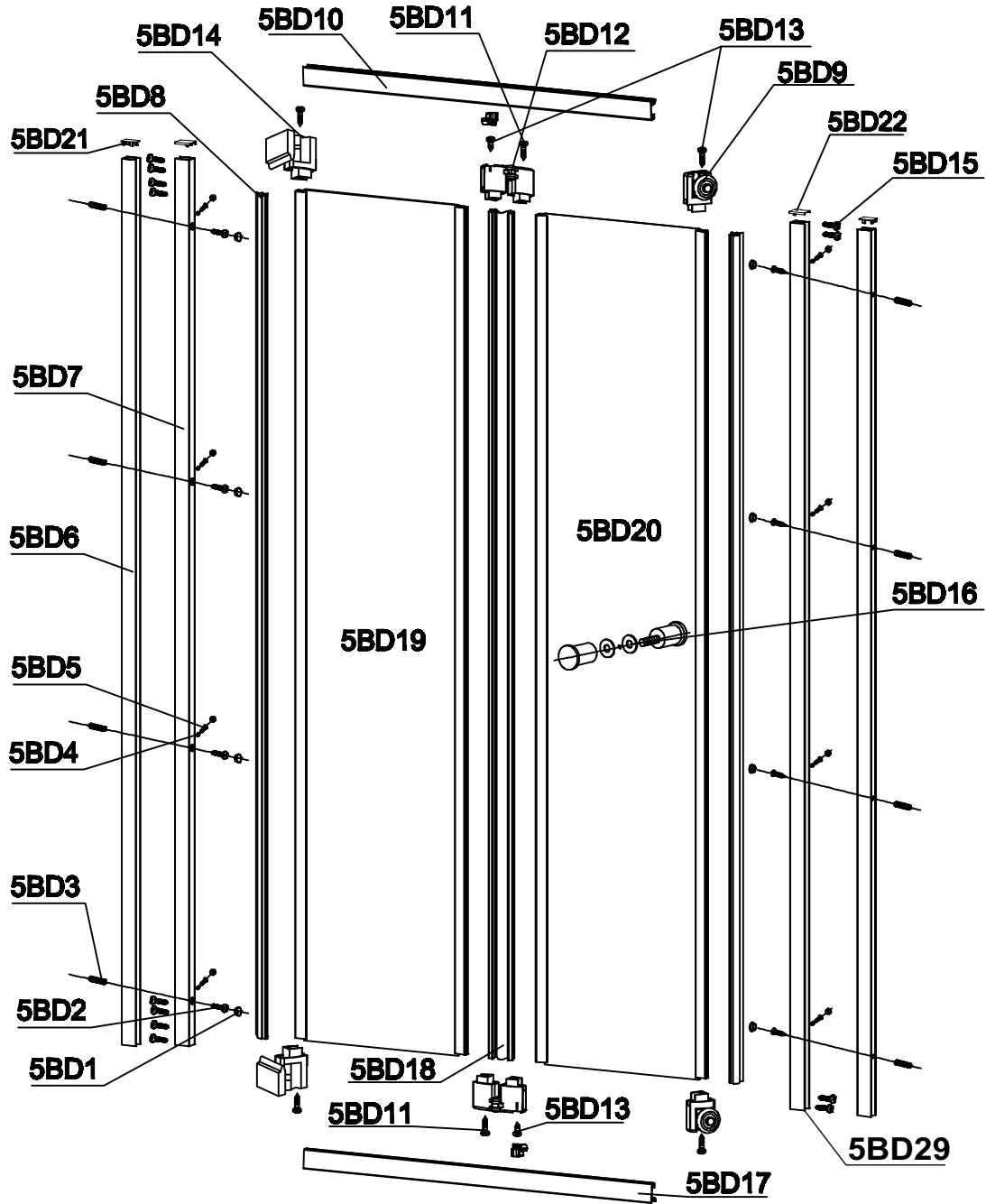
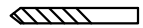
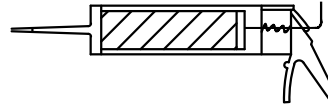
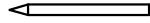
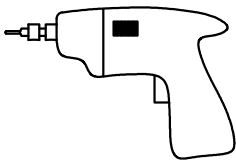


GBF Series

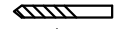
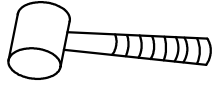
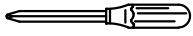
Edit:16.03



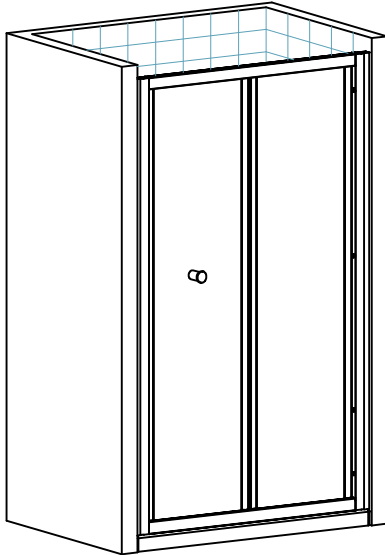
<p>5BD1</p> <p>x8</p>	<p>5BD2</p> <p>38 ST4 x8</p>	<p>5BD3</p> <p>x8</p>	<p>5BD4</p> <p>x8</p>	<p>5BD5</p> <p>10 ST4 x8</p>	<p>5BD9</p> <p>x2</p>
<p>5BD11</p> <p>55 ST4 x2</p>	<p>5BD12</p> <p>x2</p>	<p>5BD13</p> <p>30 ST4 x6</p>	<p>5BD14</p> <p>x2</p>	<p>5BD15</p> <p>20 ST4 x12</p>	<p>5BD16</p> <p>x1</p>
<p>5BD21</p> <p>x2</p>	<p>5BD22</p> <p>x2</p>				



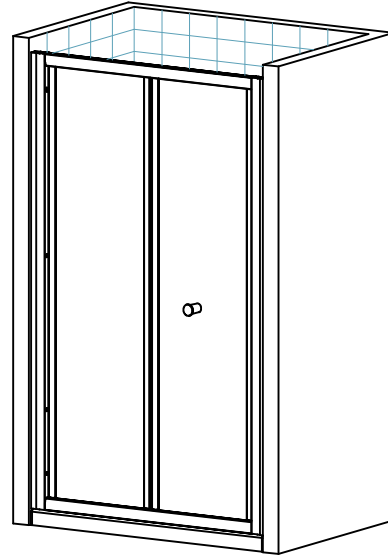
Ø6



Ø3.2



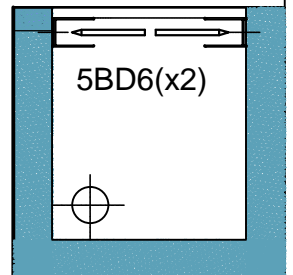
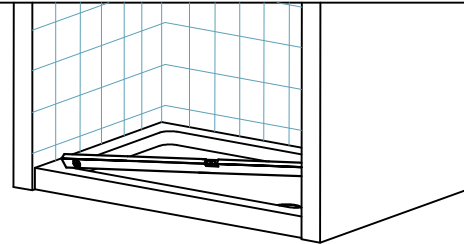
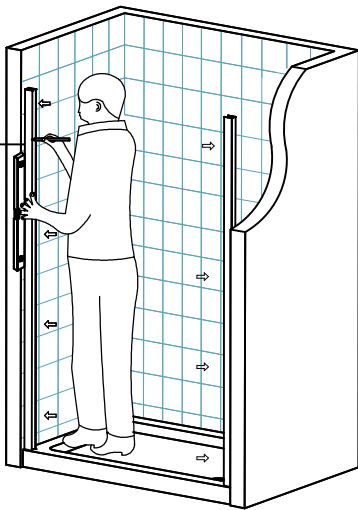
LH



RH

1

Fixed position

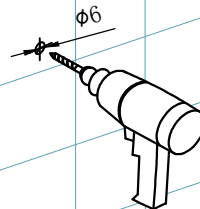


5BD6(x2)

2

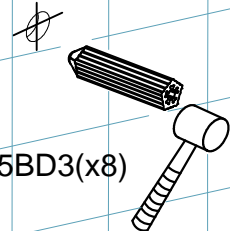


2.1

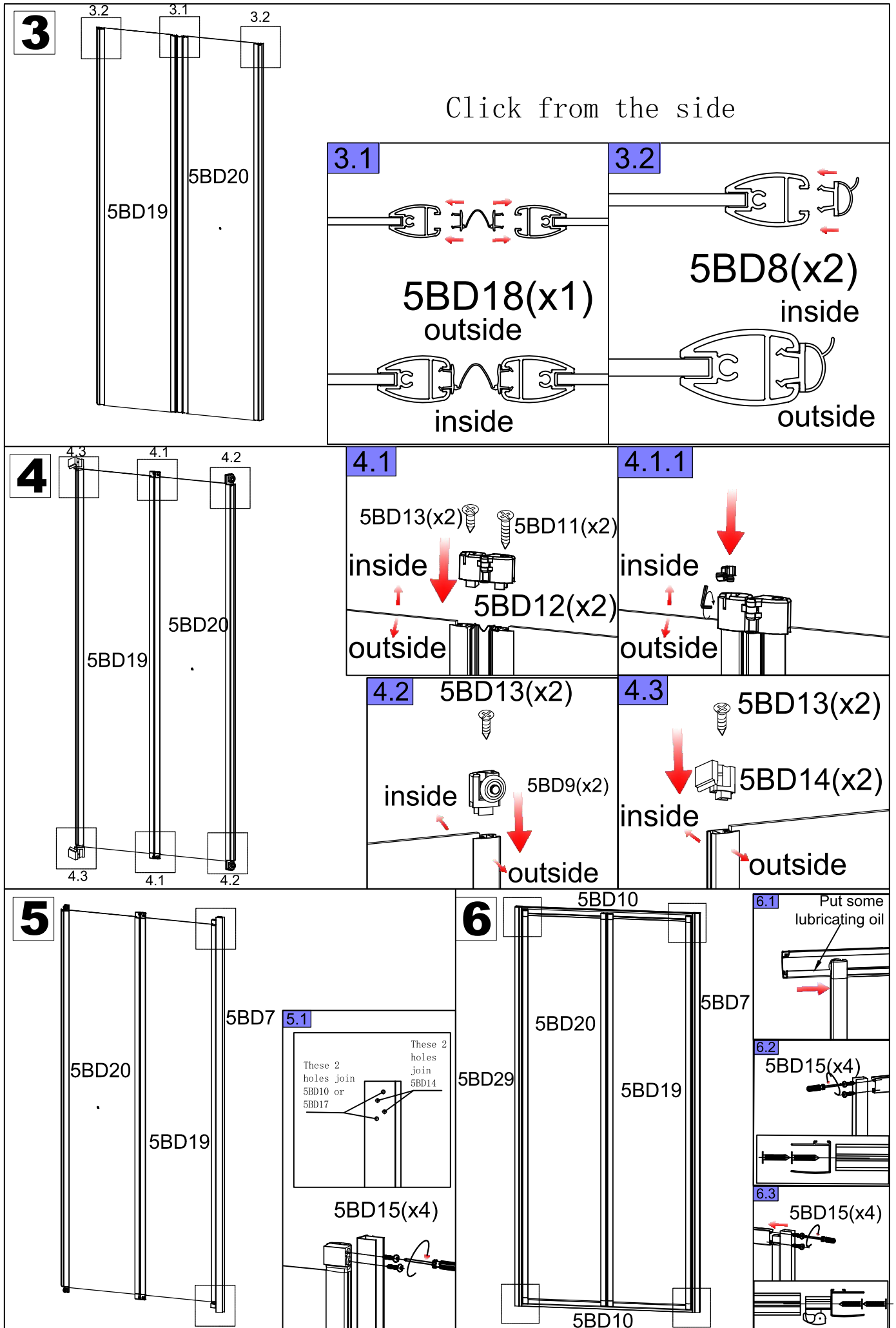


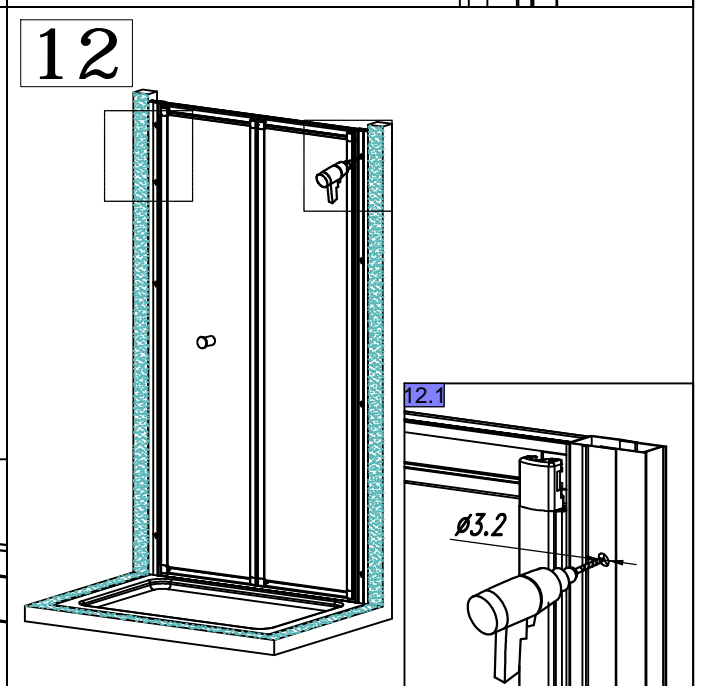
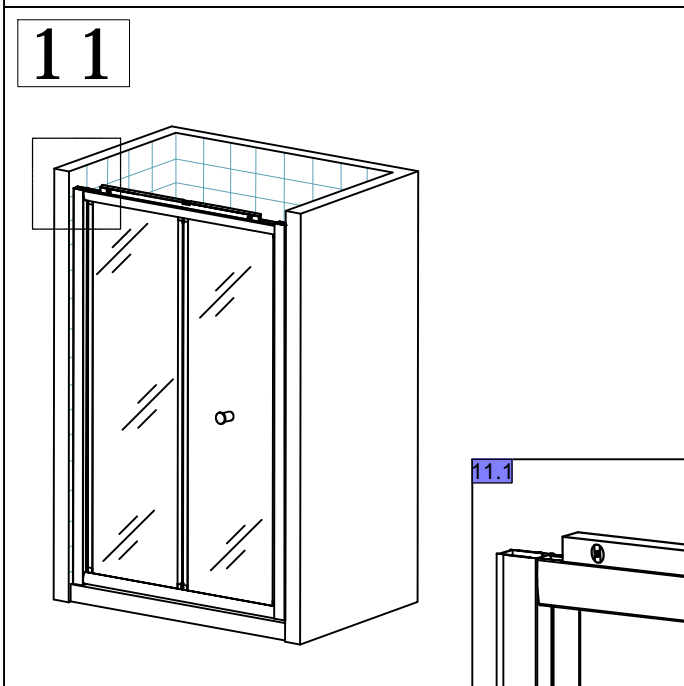
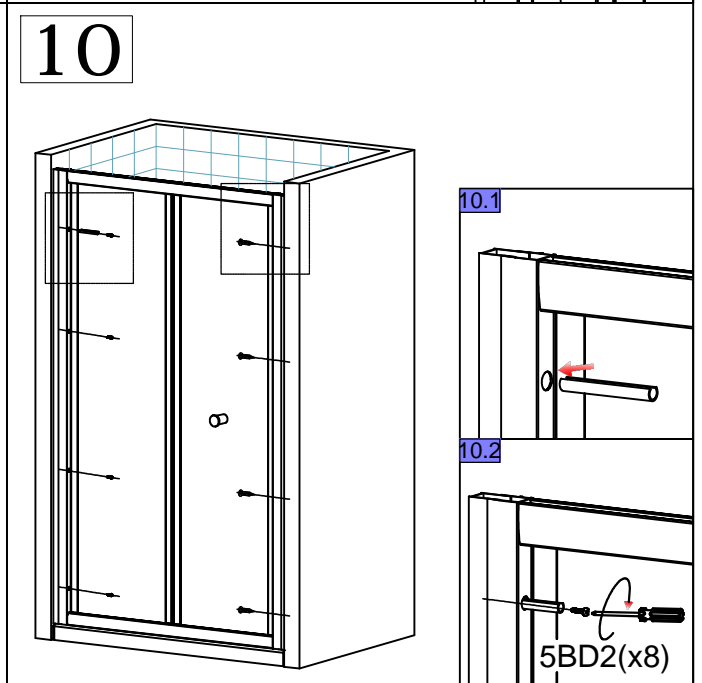
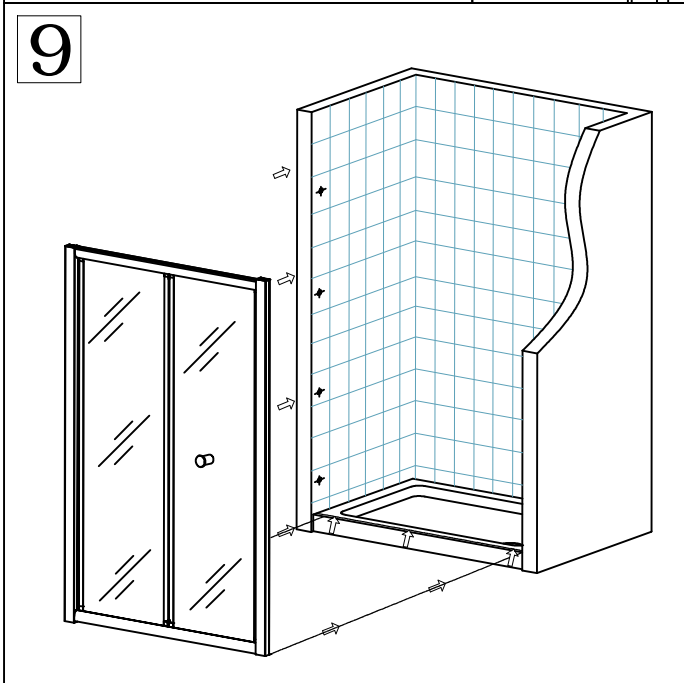
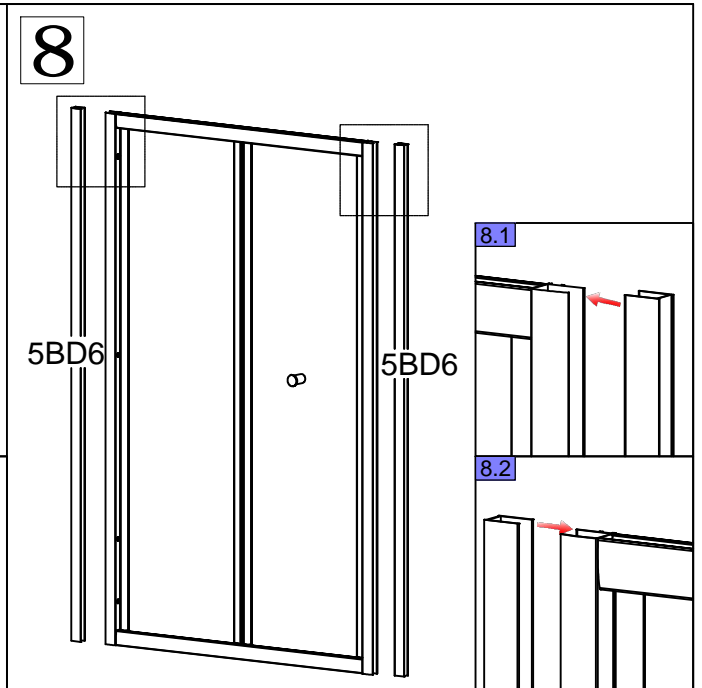
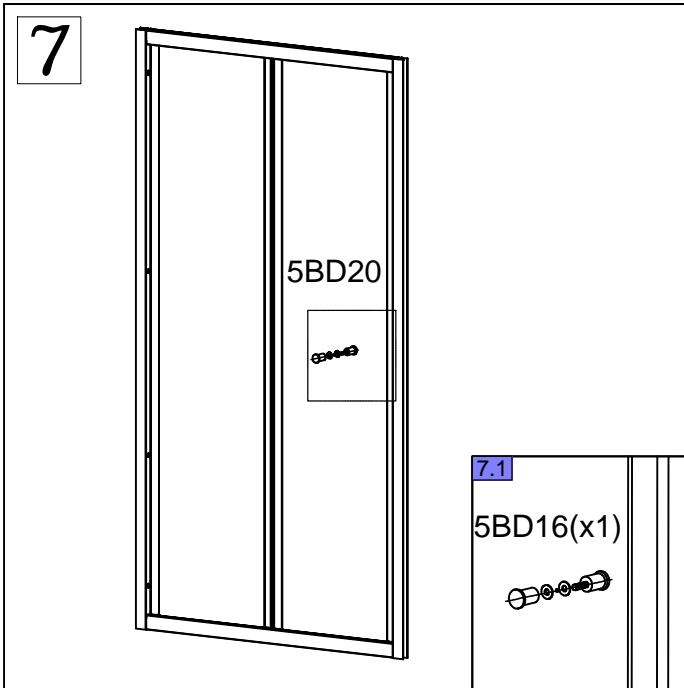
Ø6

2.2

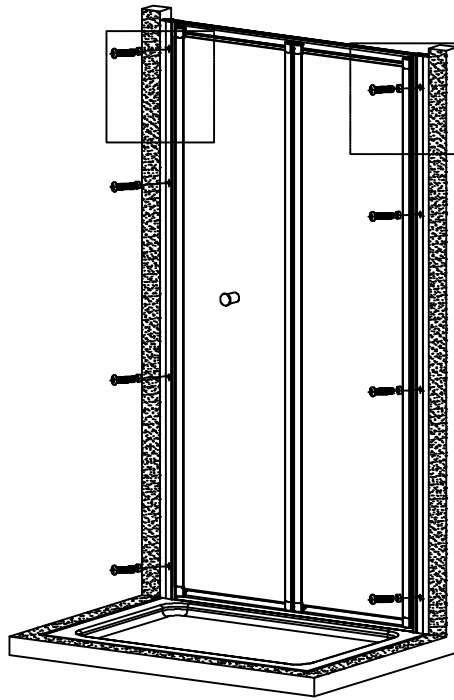


5BD3(x8)

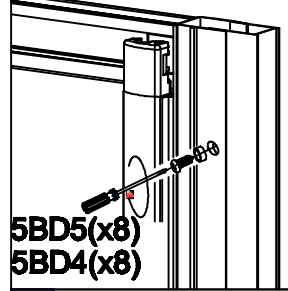




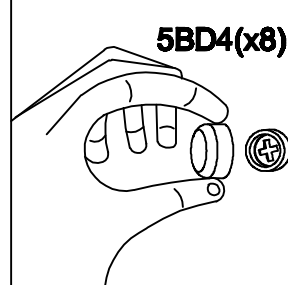
13



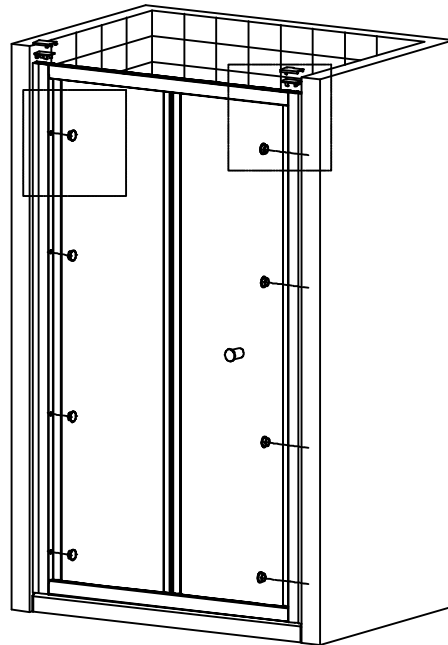
13.1



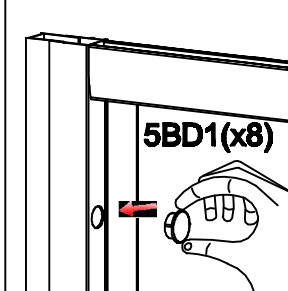
13.2



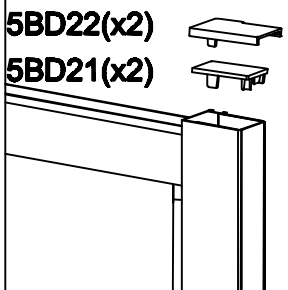
14



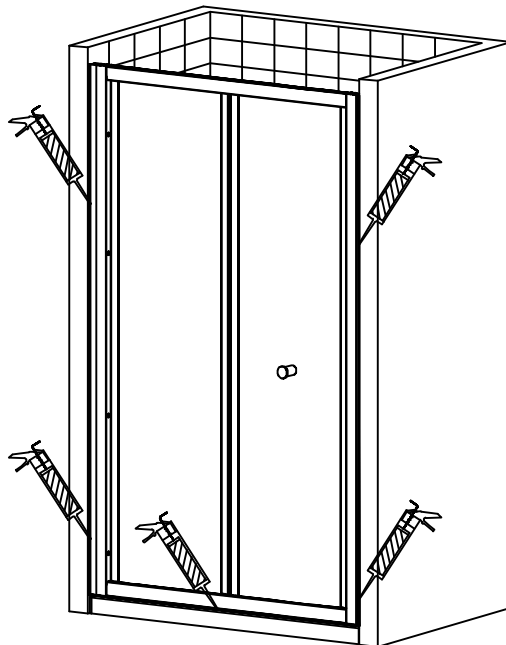
14.1



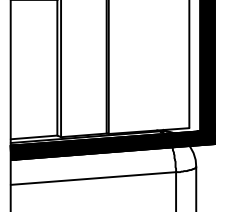
14.2



15

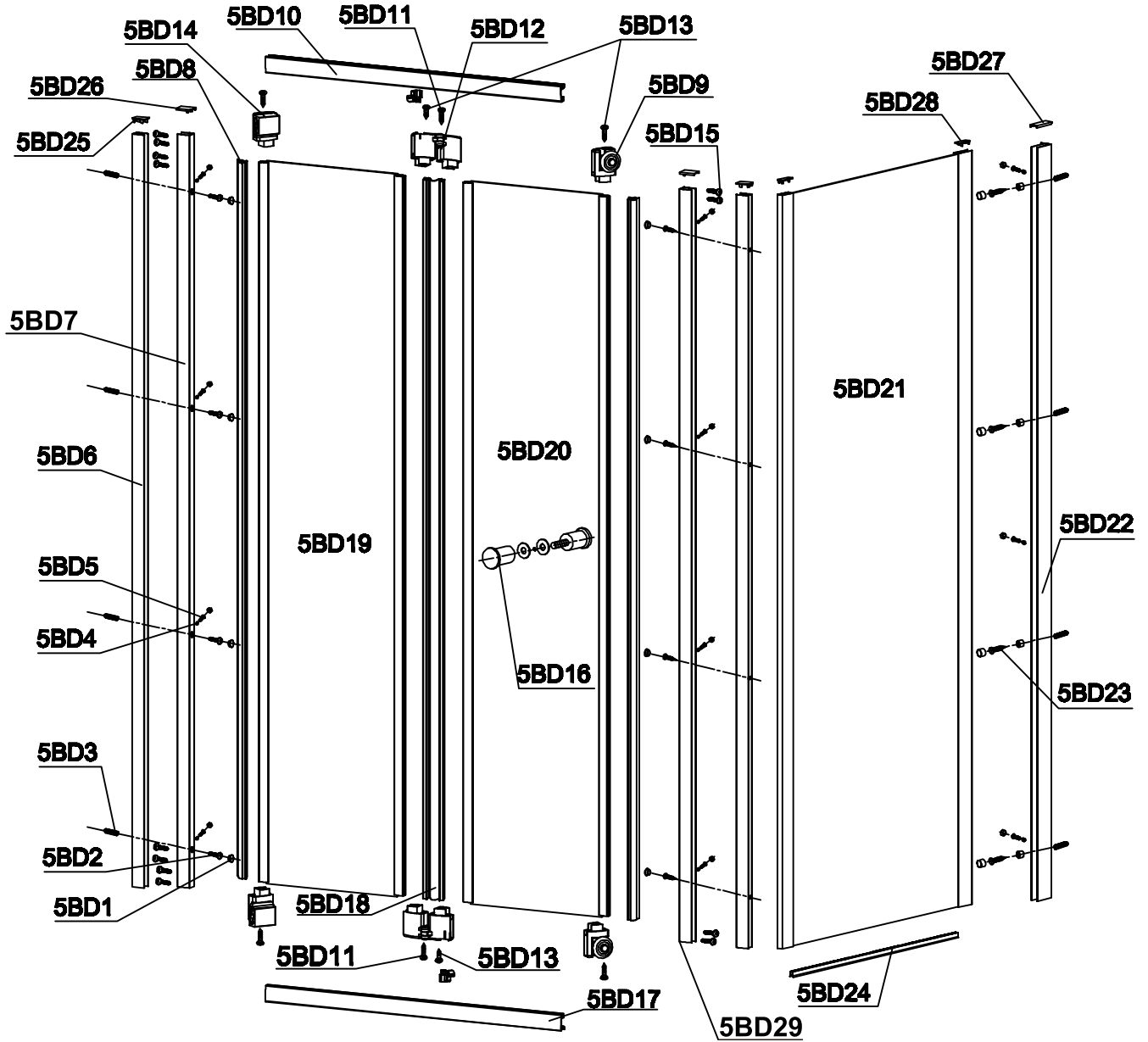


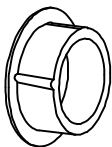
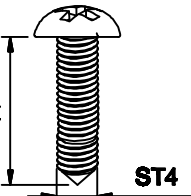

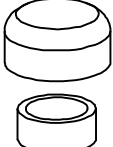
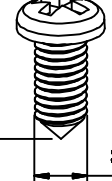
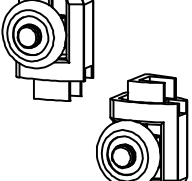
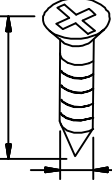

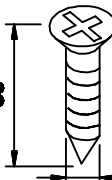
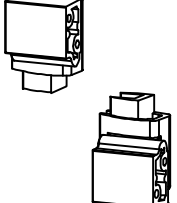
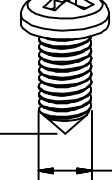
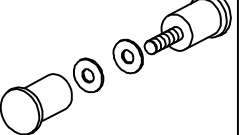
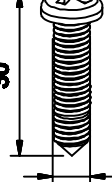
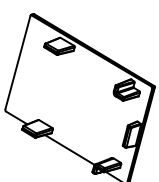
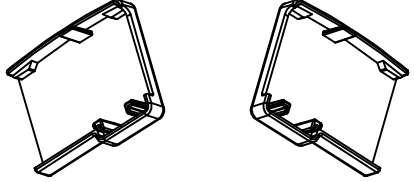
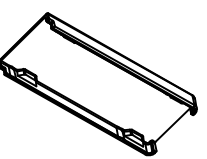
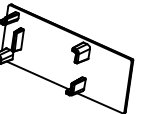
15.1

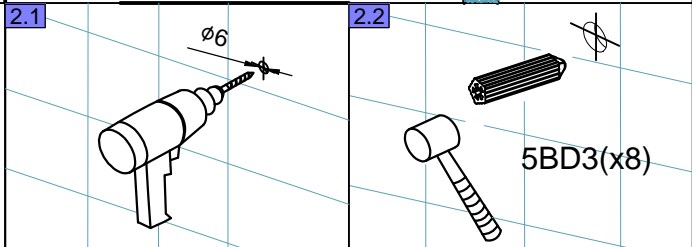
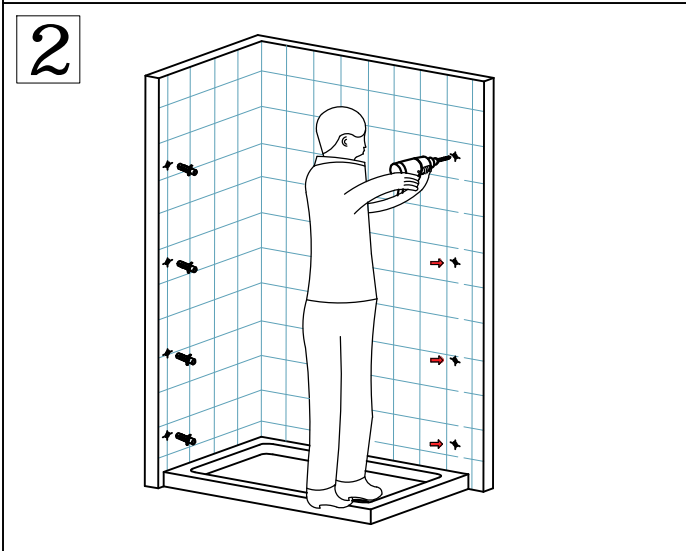
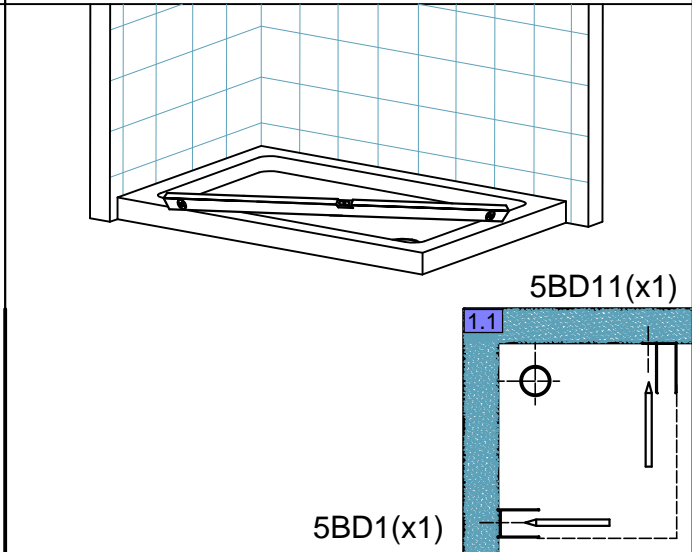
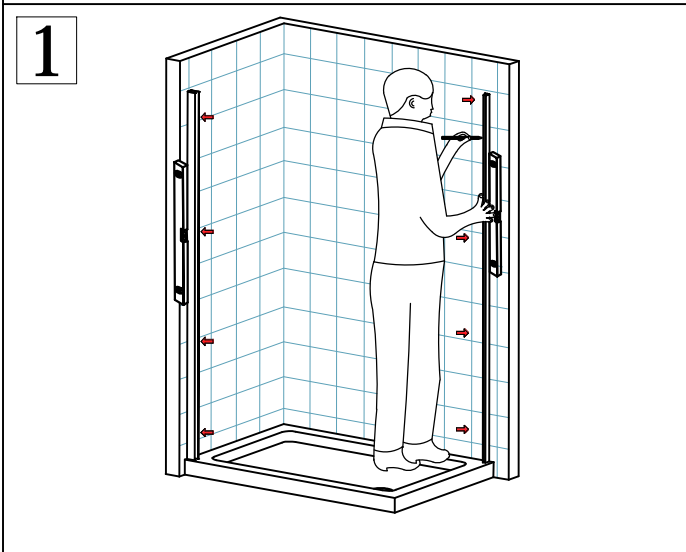
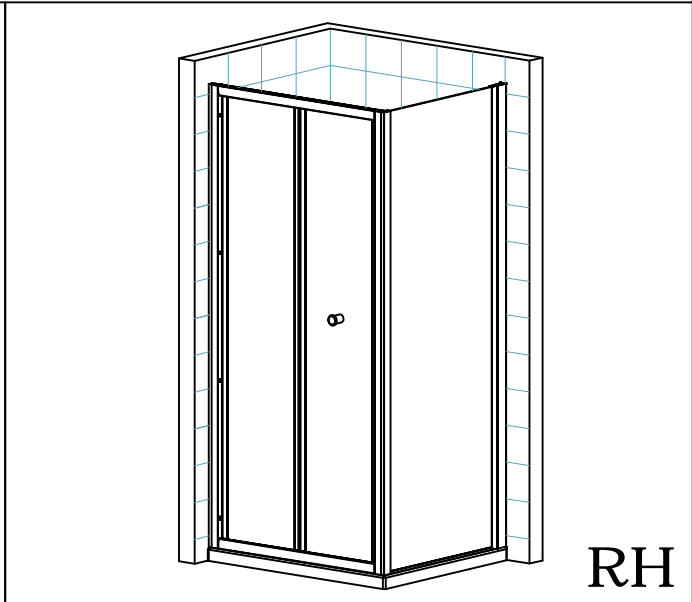
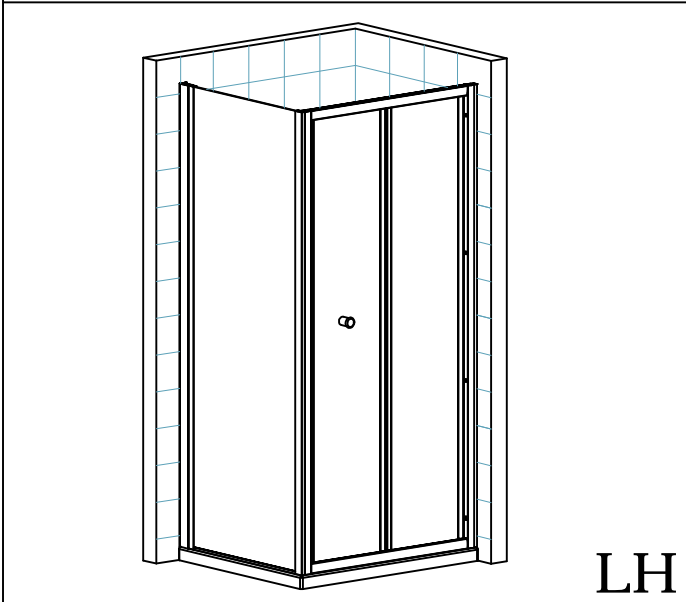
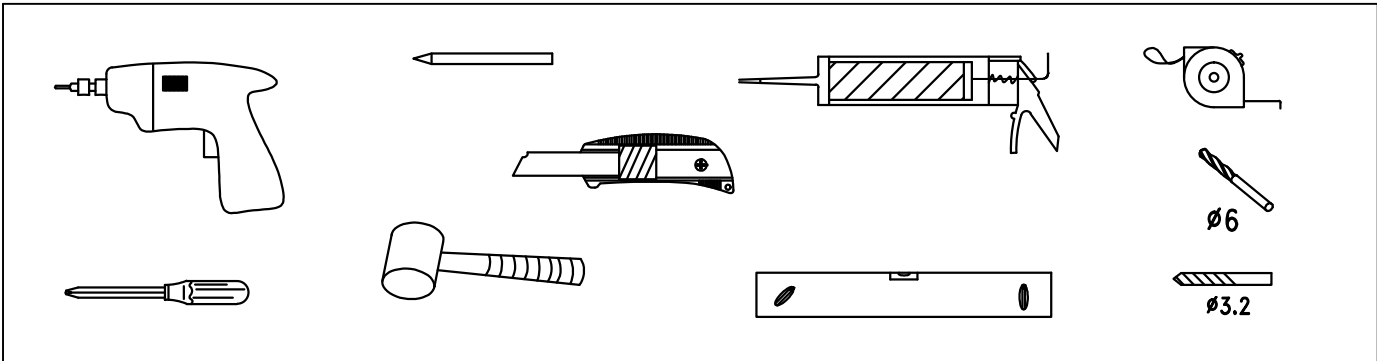


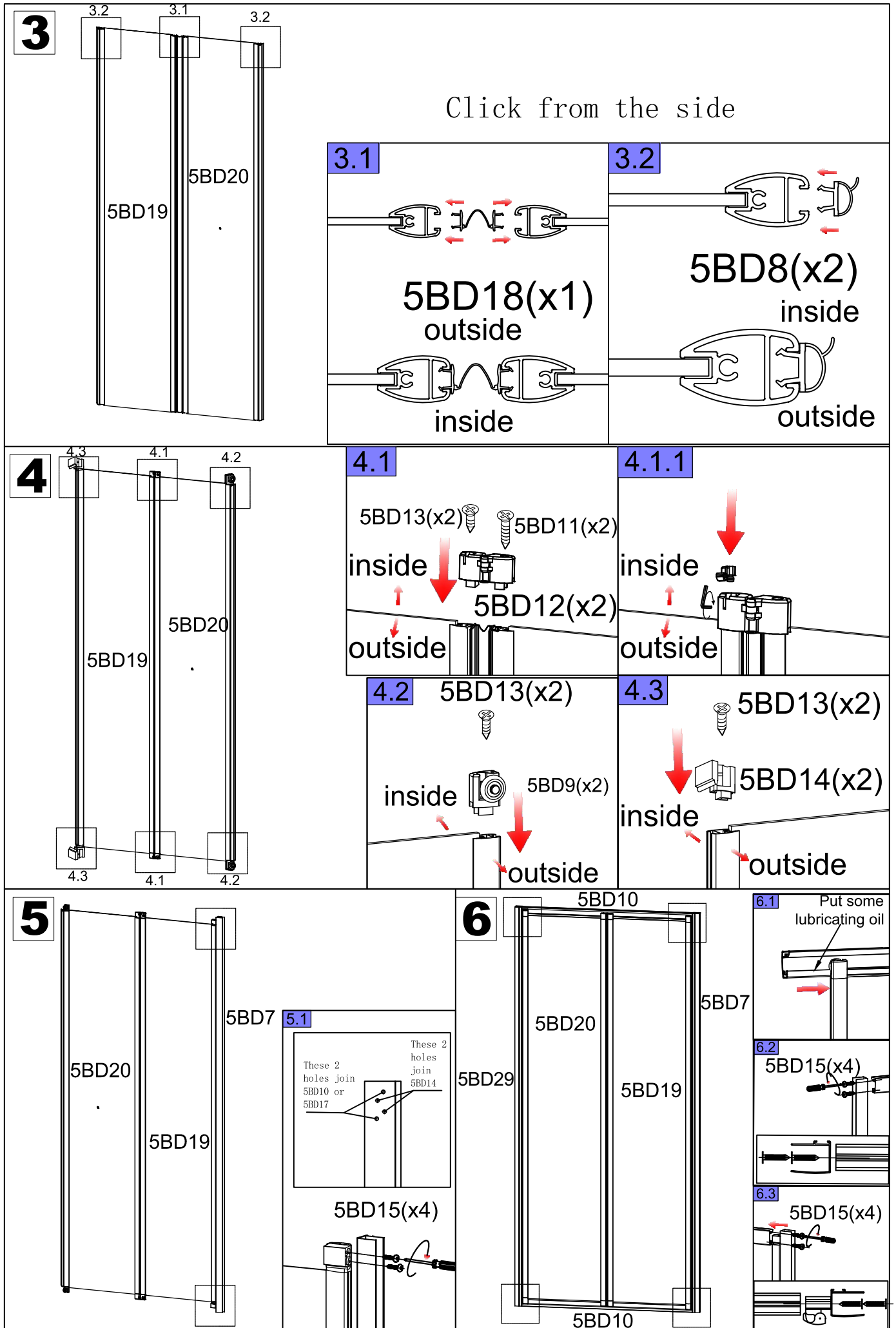
GBF Series+Side panel

Edit:16.03

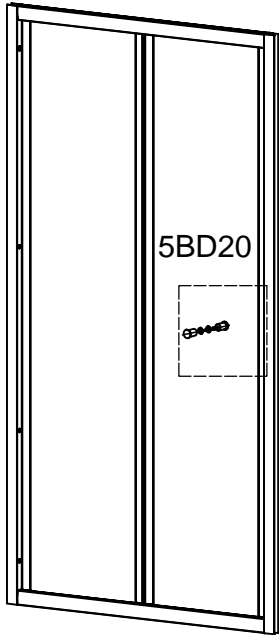


5BD1  x8	5BD2  ST4 x4	5BD3  x8	5BD4  x15	5BD5  10 ST4 x15	5BD9  x2
5BD11  5 55 ST4 x2	5BD12  x2	5BD13  30 ST4 x6	5BD14  x2	5BD15  20 ST4 x12	5BD16  x1
5BD23  30 ST4 x4	5BD25  x2	5BD26  x2	5BD27  x1	5BD28  x2	





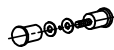
7



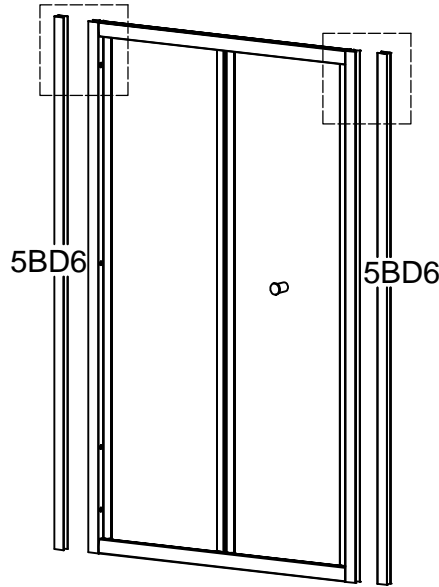
5BD20

7.1

5BD16(x1)



8

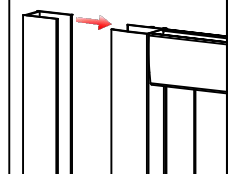
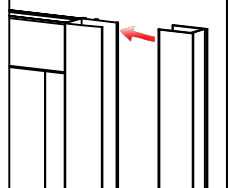


5BD6

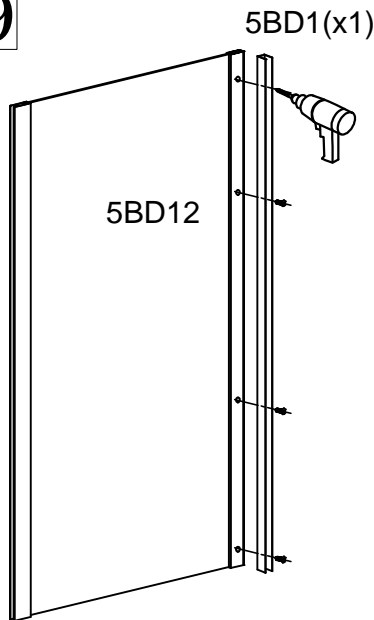
5BD6

8.1

8.2



9



5BD1(x1)

5BD12

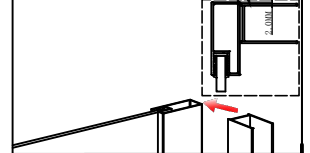
Notice:

As step 9.1: slide the wall channel 5BD1 onto the side panel's frame, carefully lift the 5BD1 into position of side panel's frame, Set the wall channel 2.0mm from the out edge of side panel's frame

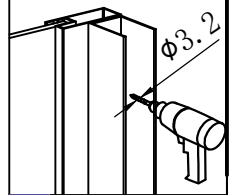
As step 9.2: according to the holes on 5BD1, mark the side panel's frame with pencil, remove 5BD1 and drill 3.2mm holes with drill bit.

As step 9.3: Fix 5BD1 to side panel's frame using screws 5BD7.

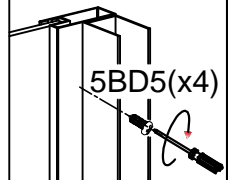
9.1 Set the wall channel 2.0mm from the out edge of side panel's frame



9.2

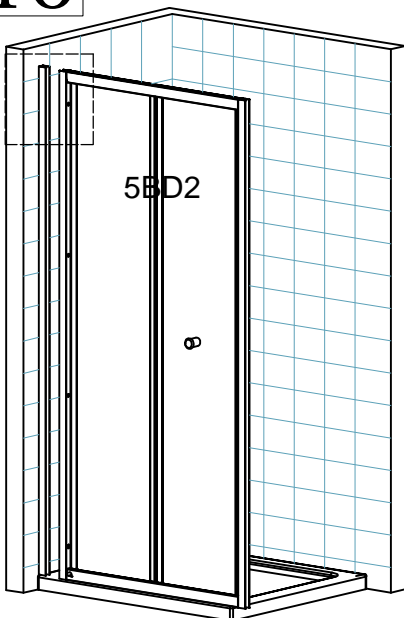


9.3



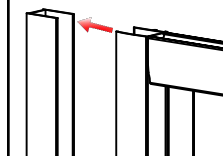
5BD5(x4)

10

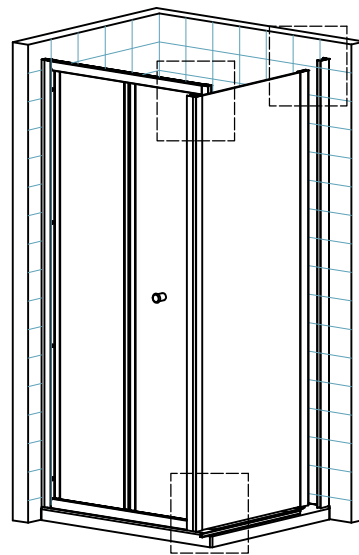


5BD2

10.1



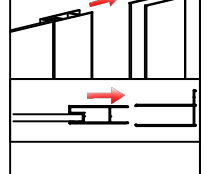
11



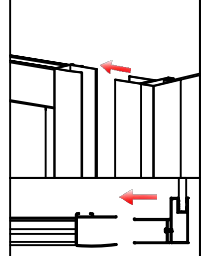
11.1

5BD9(x1)

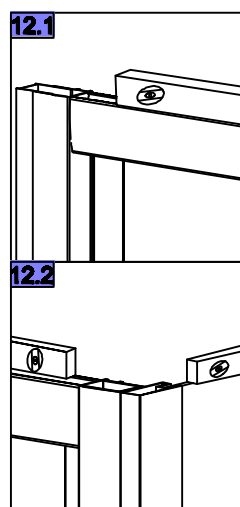
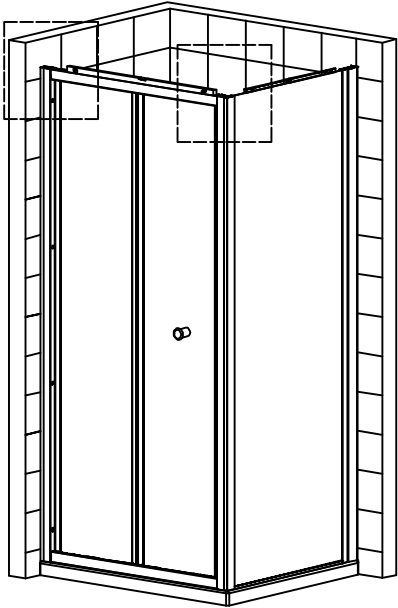
11.2



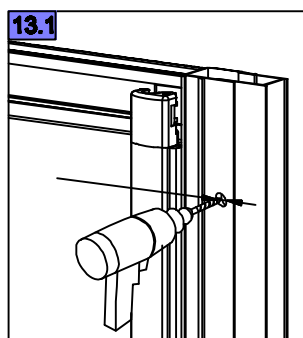
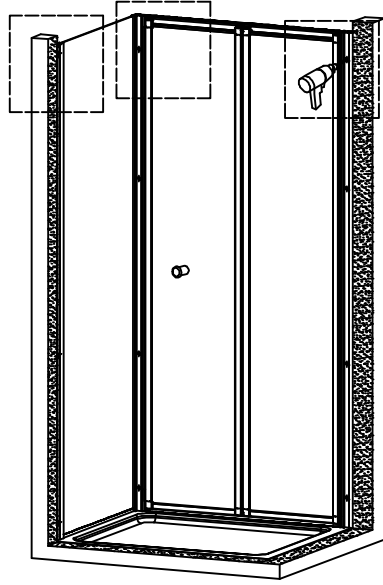
11.3



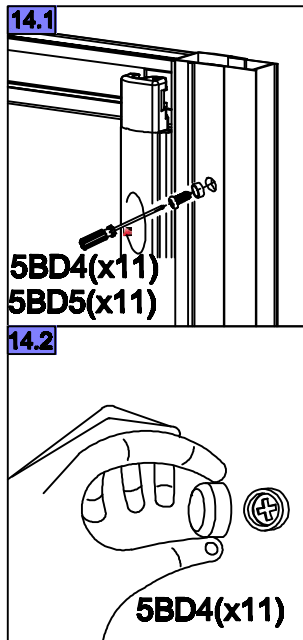
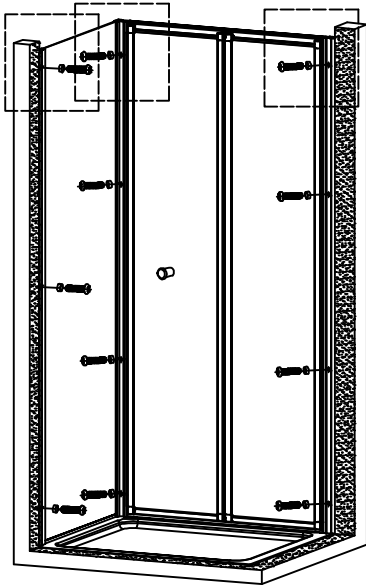
12



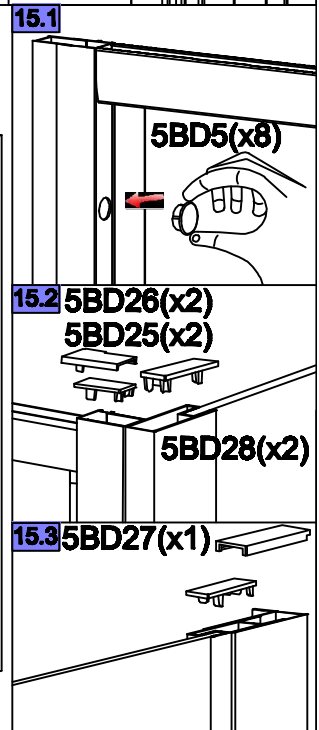
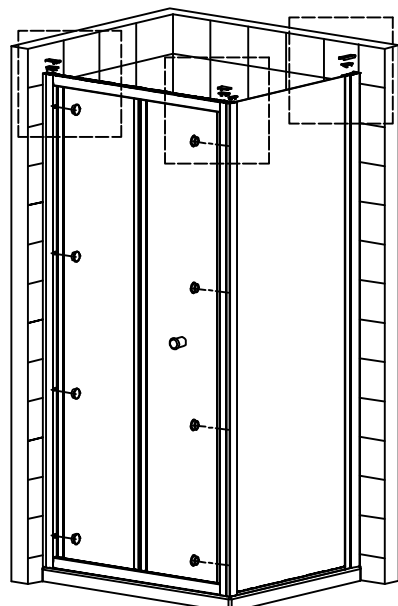
13



14



15



16

