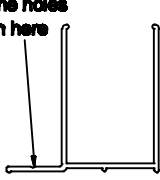
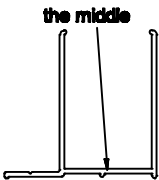
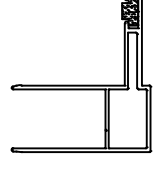
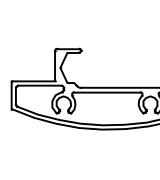
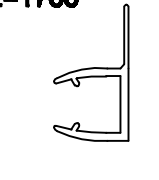

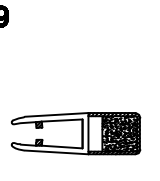
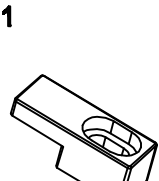
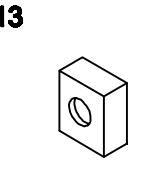
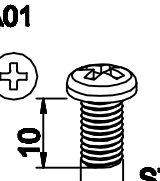
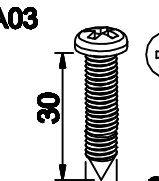

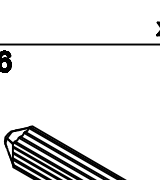
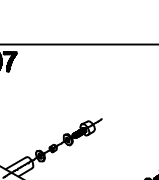
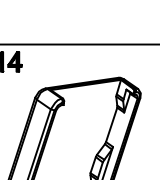
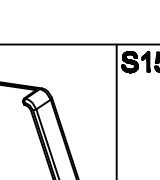
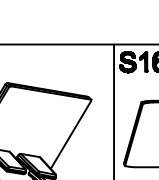
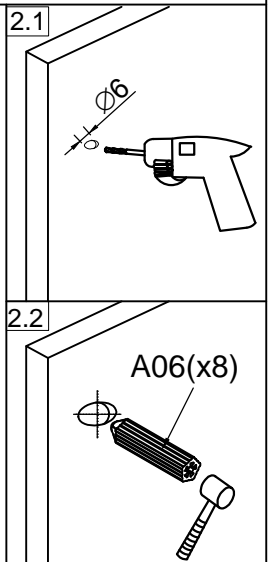
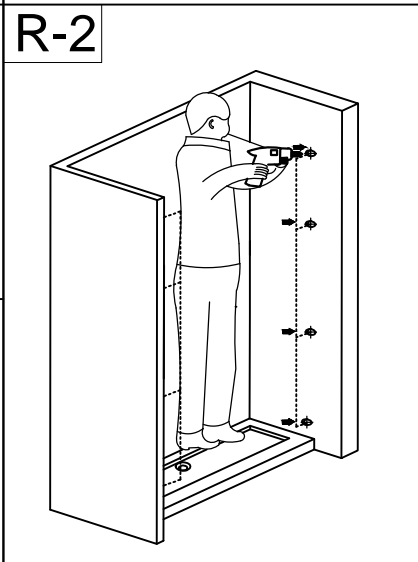
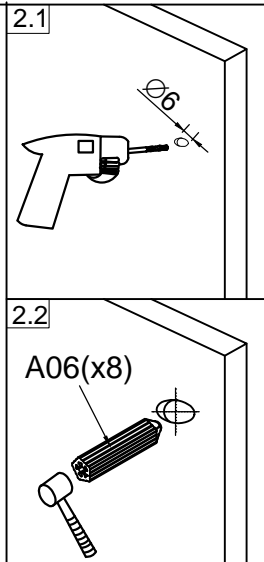
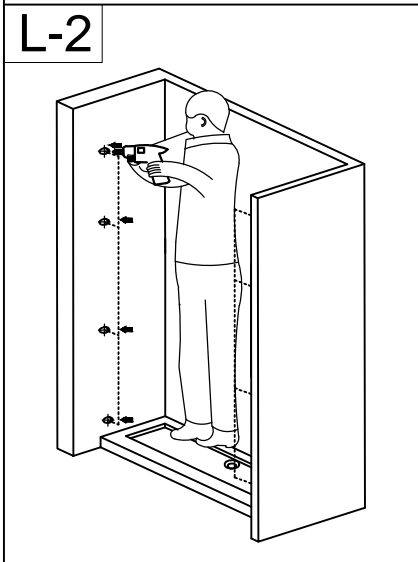
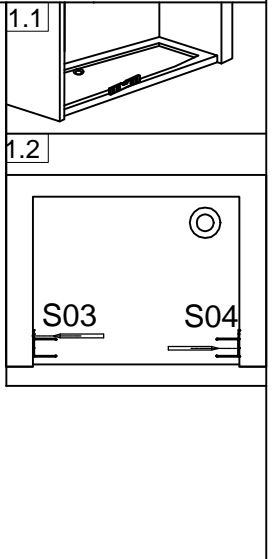
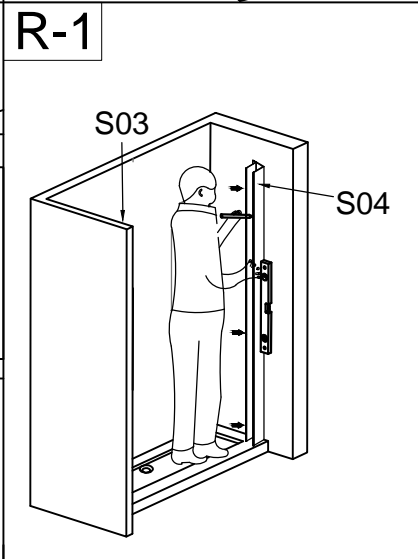
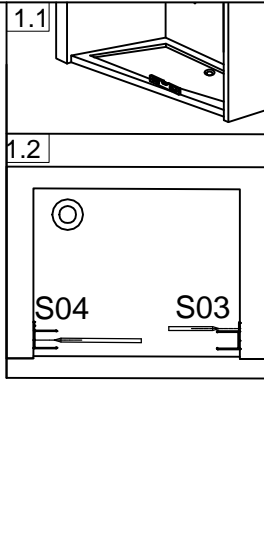
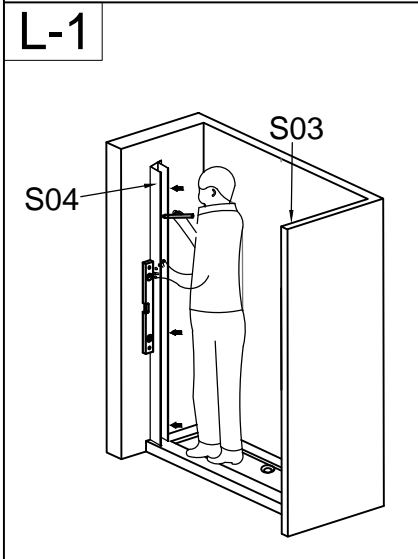
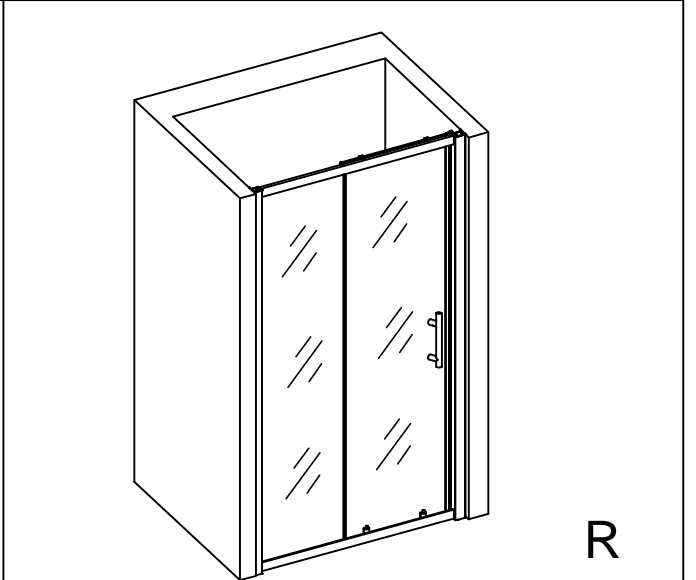
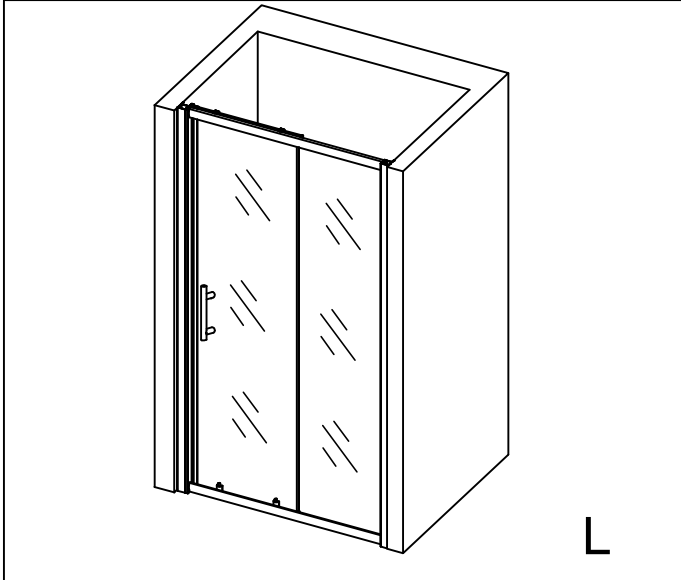
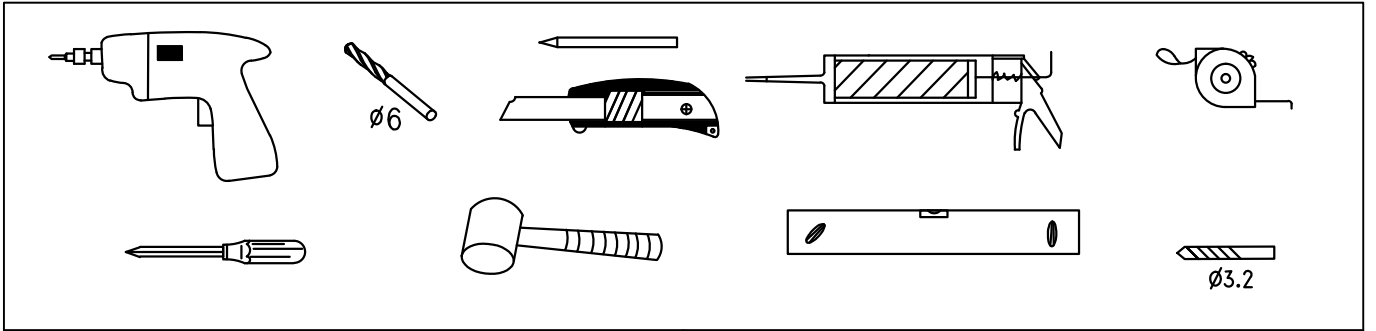
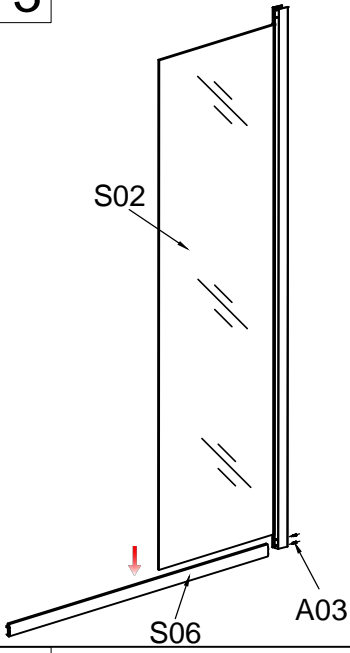


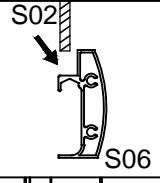
| | | | | | |
|--|--|---|--|---|---|
| S03 The holes on here  x1 | S04 The holes in the middle  x1 | S05  x1 | S06  x2 | S07 L=1766  x1 | S08 L=1833  x1 |
| S09  x1 | S11  x2 | S13  x2 | A01  x10 | A03  x16 | A05  x10 |
| A06  x8 | A07  x1 | S14  x2 | S15  x1 | S16  x2 | |



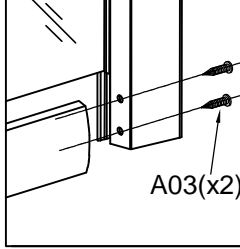
L-3



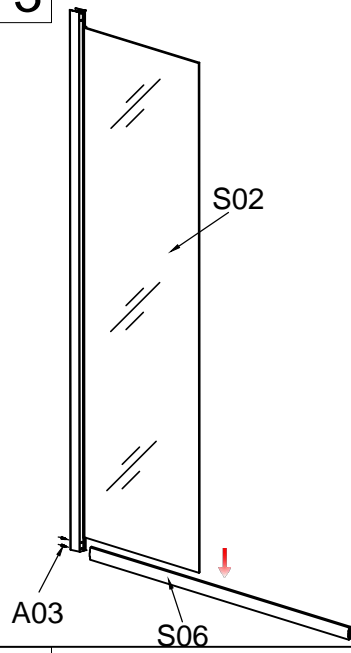
3.1



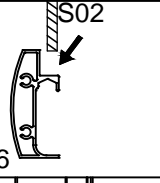
3.2



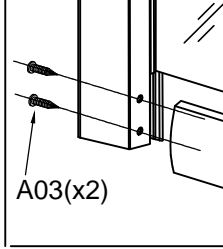
R-3



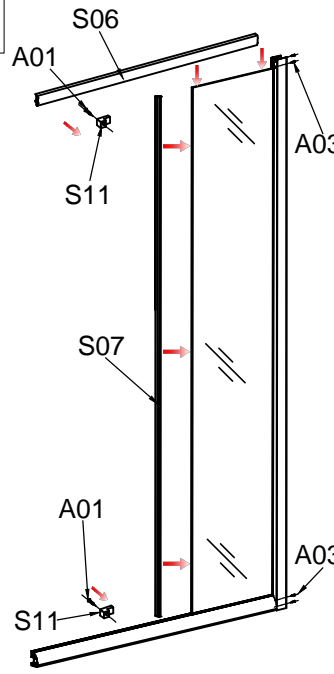
3.1



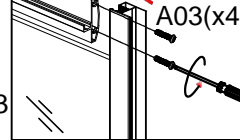
3.2



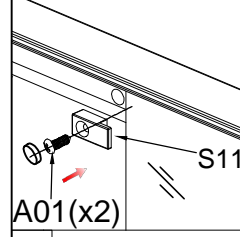
L-4



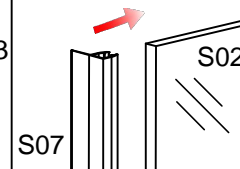
4.1



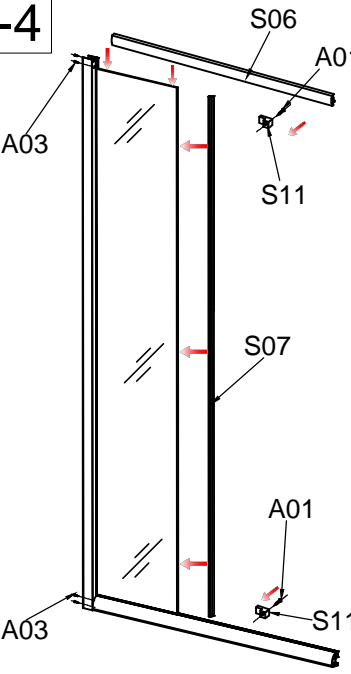
4.2



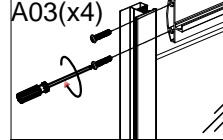
4.3



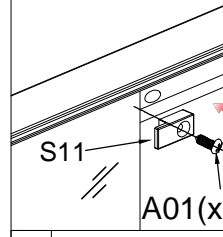
R-4



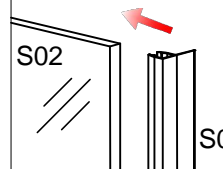
4.1



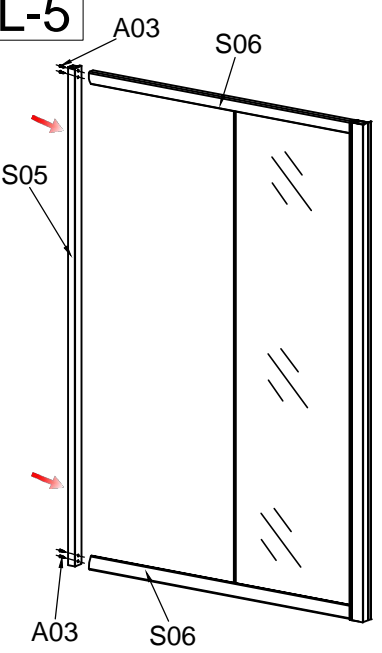
4.2



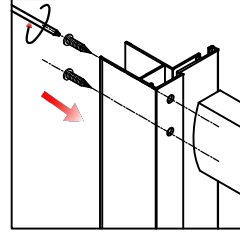
4.3



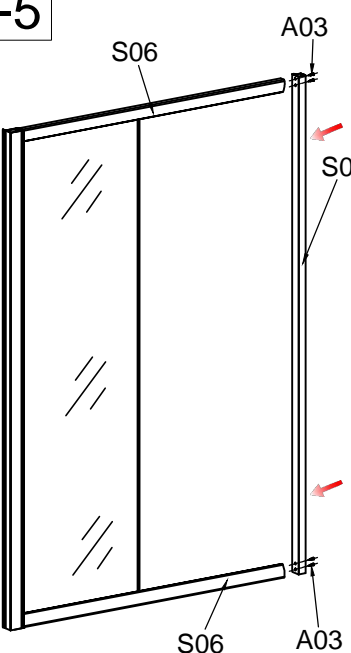
L-5



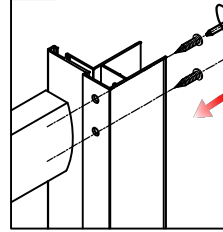
5.1



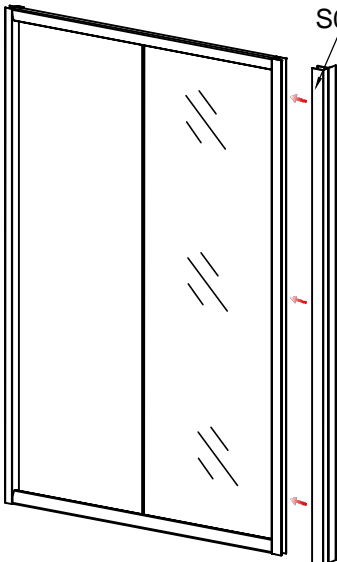
R-5



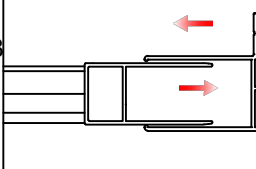
5.1



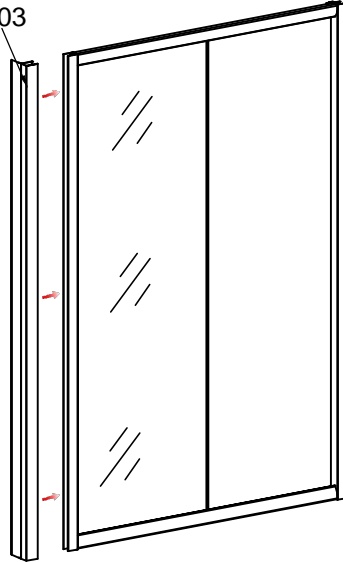
L-6



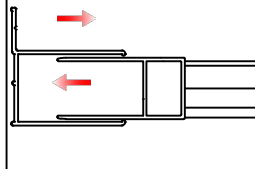
6.1



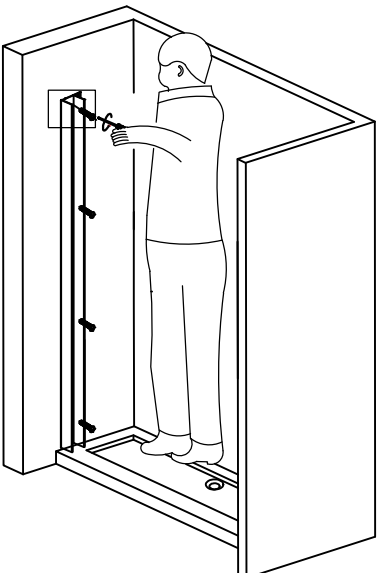
R-6



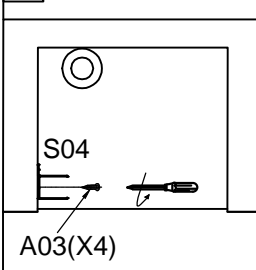
6.1



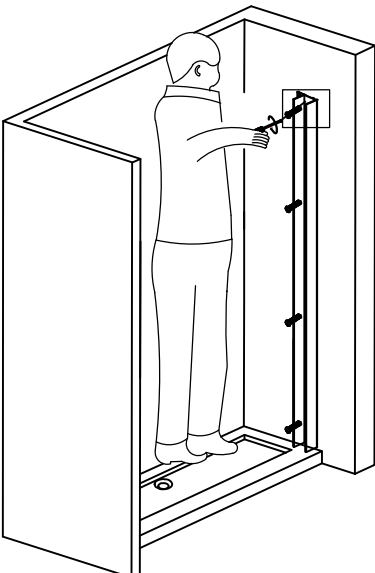
L-7



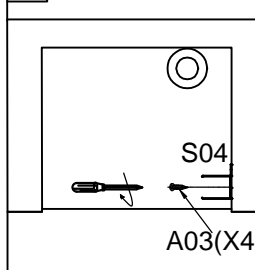
7.1



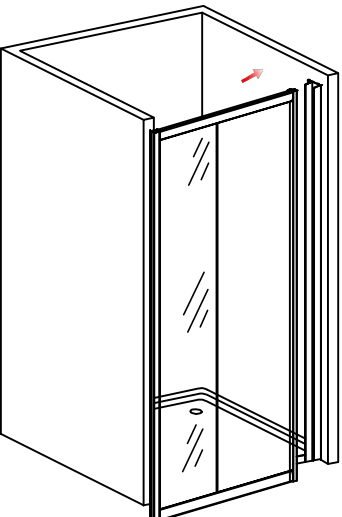
R-7



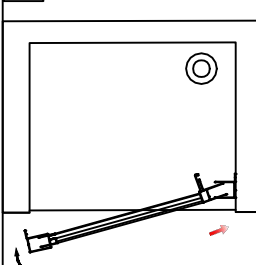
7.1



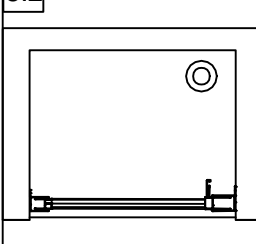
L-8



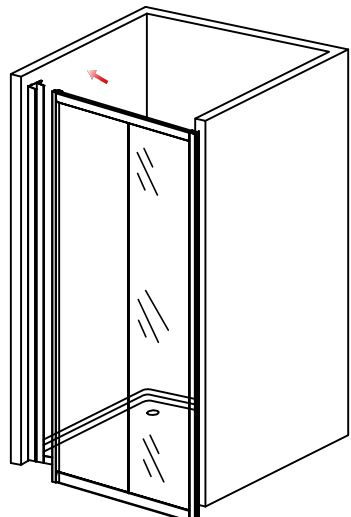
8.1



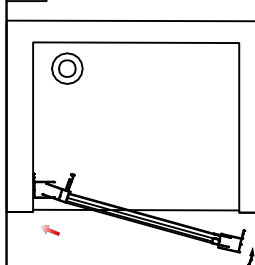
8.2



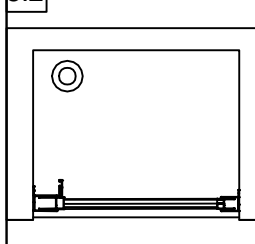
R-8

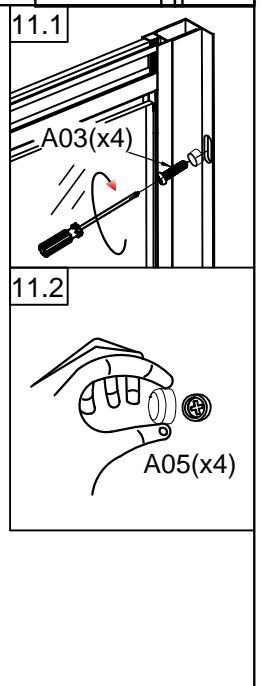
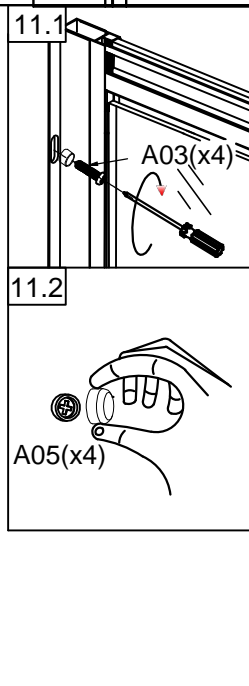
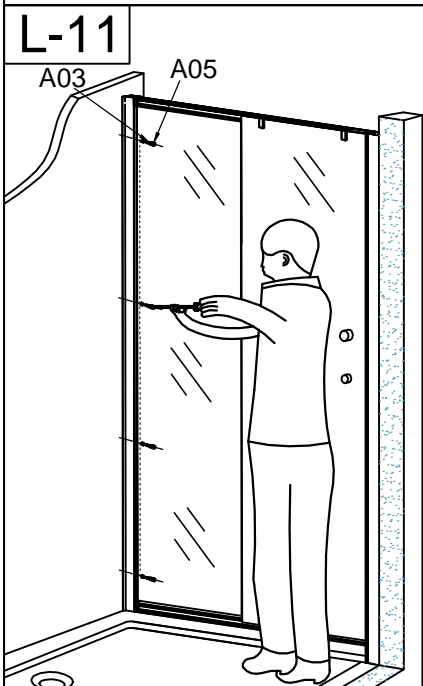
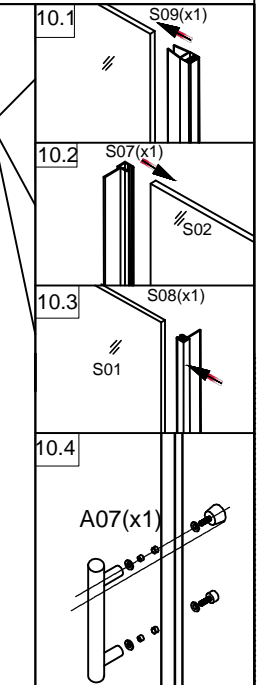
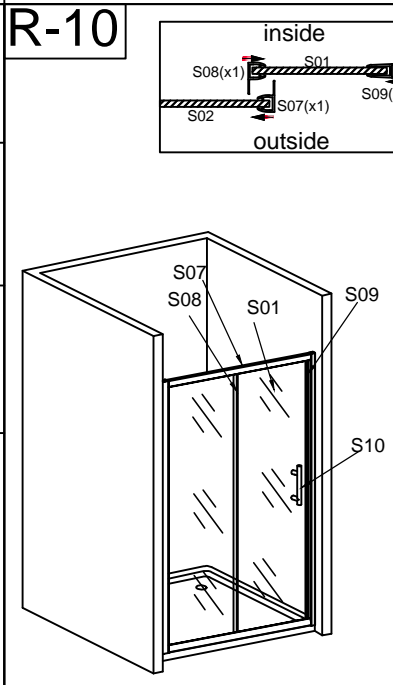
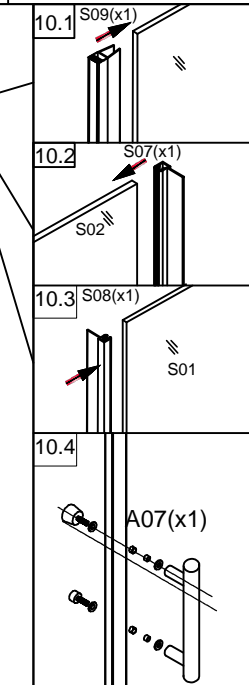
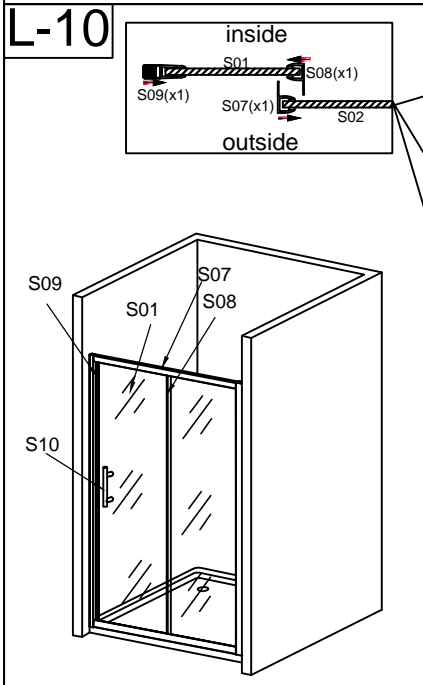
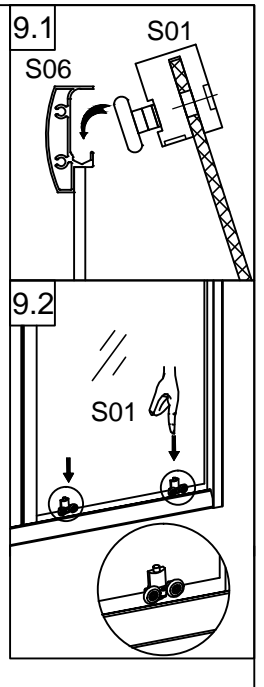
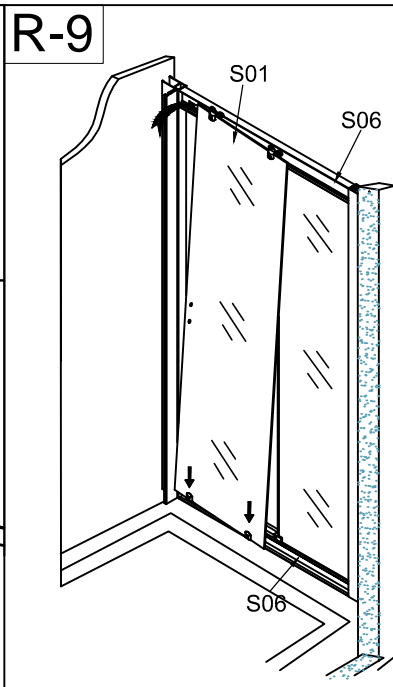
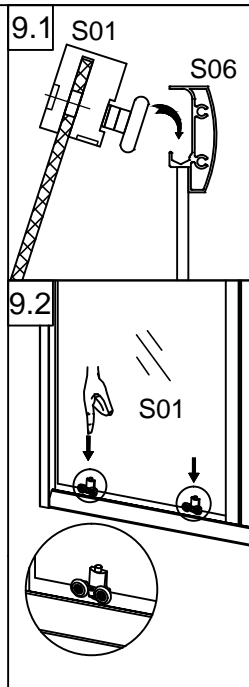
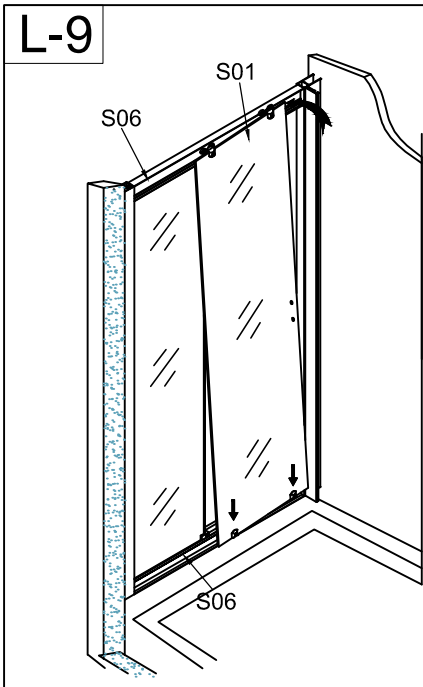


8.1

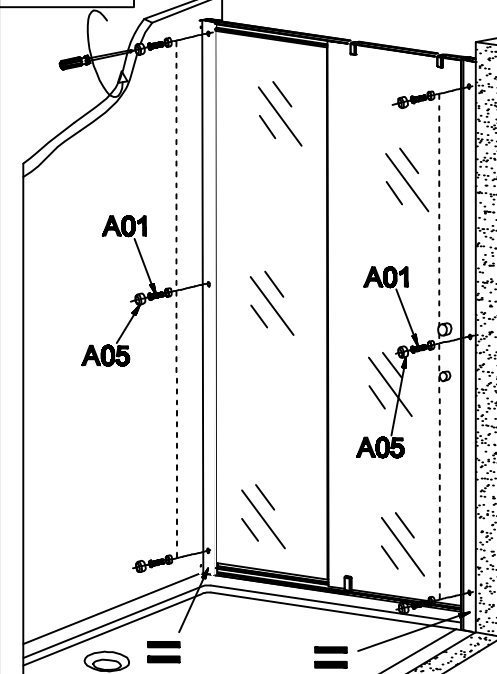


8.2

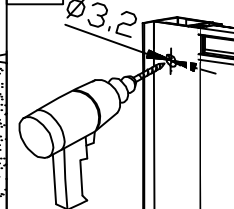




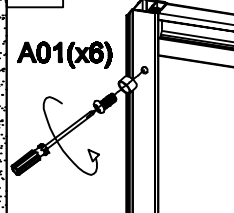
L-12



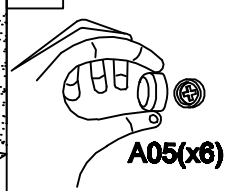
12.1



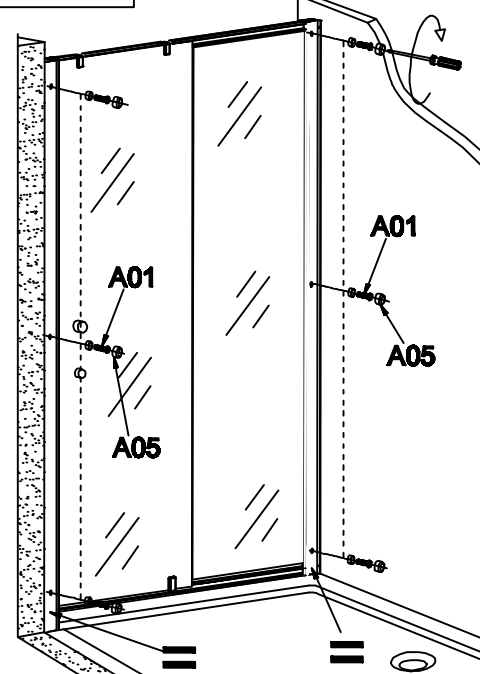
12.2



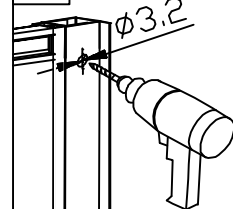
12.3



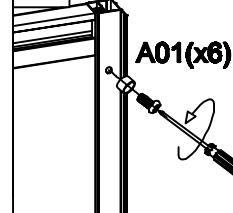
R-12



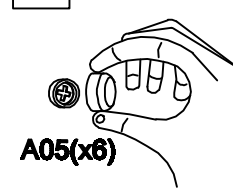
12.1



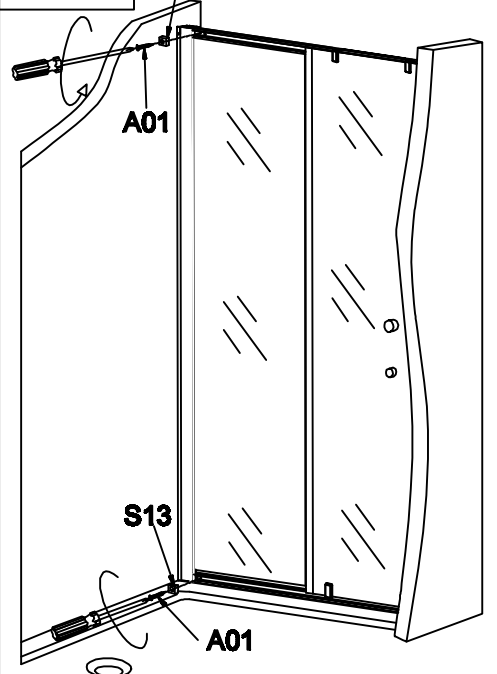
12.2



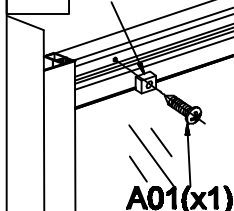
12.3



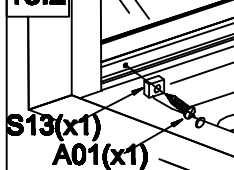
L-13



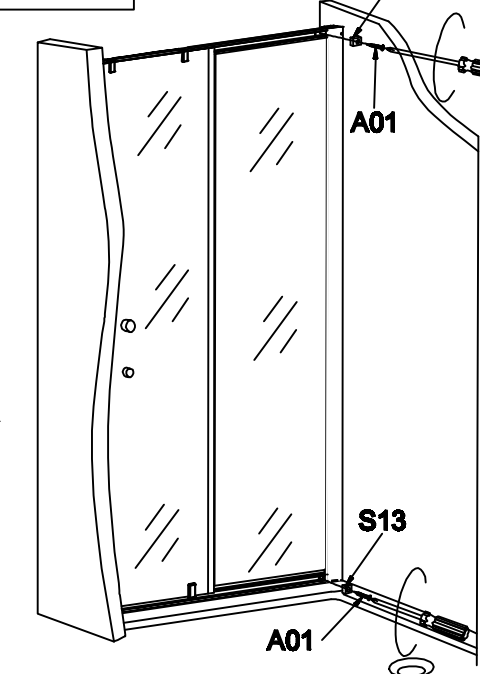
13.1



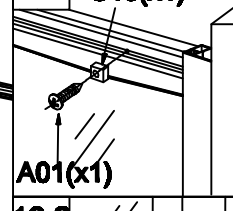
13.2



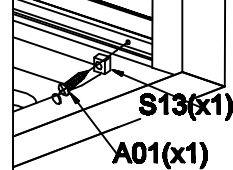
R-13



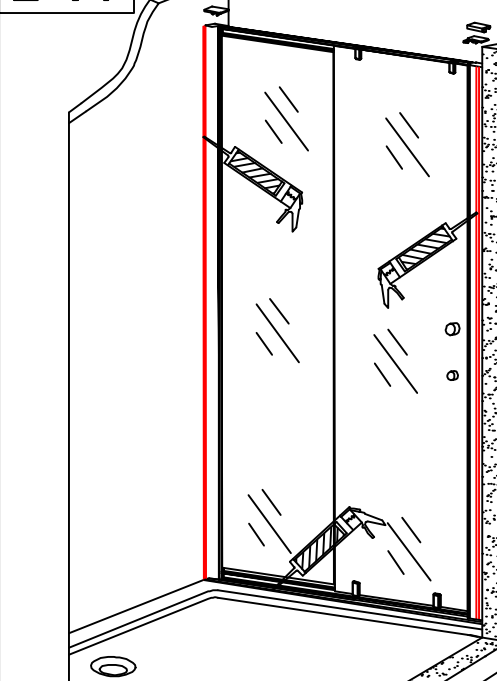
13.1



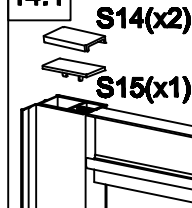
13.2



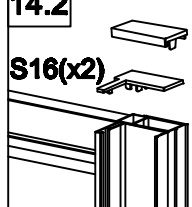
L-14



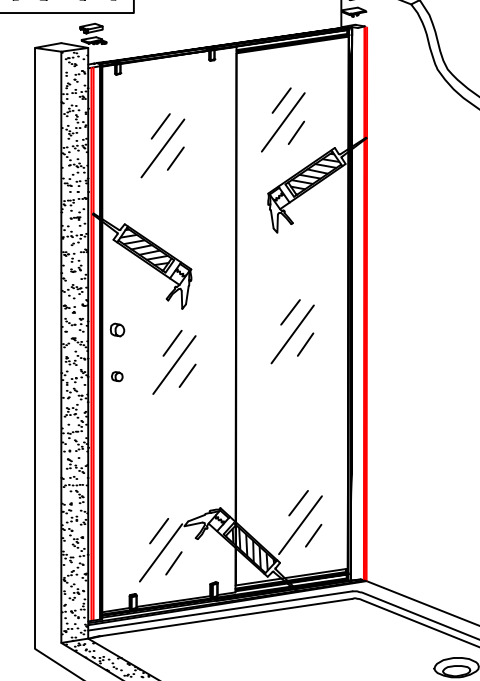
14.1



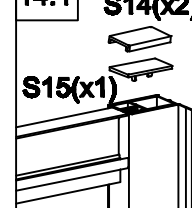
14.2



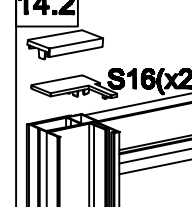
R-14



14.1

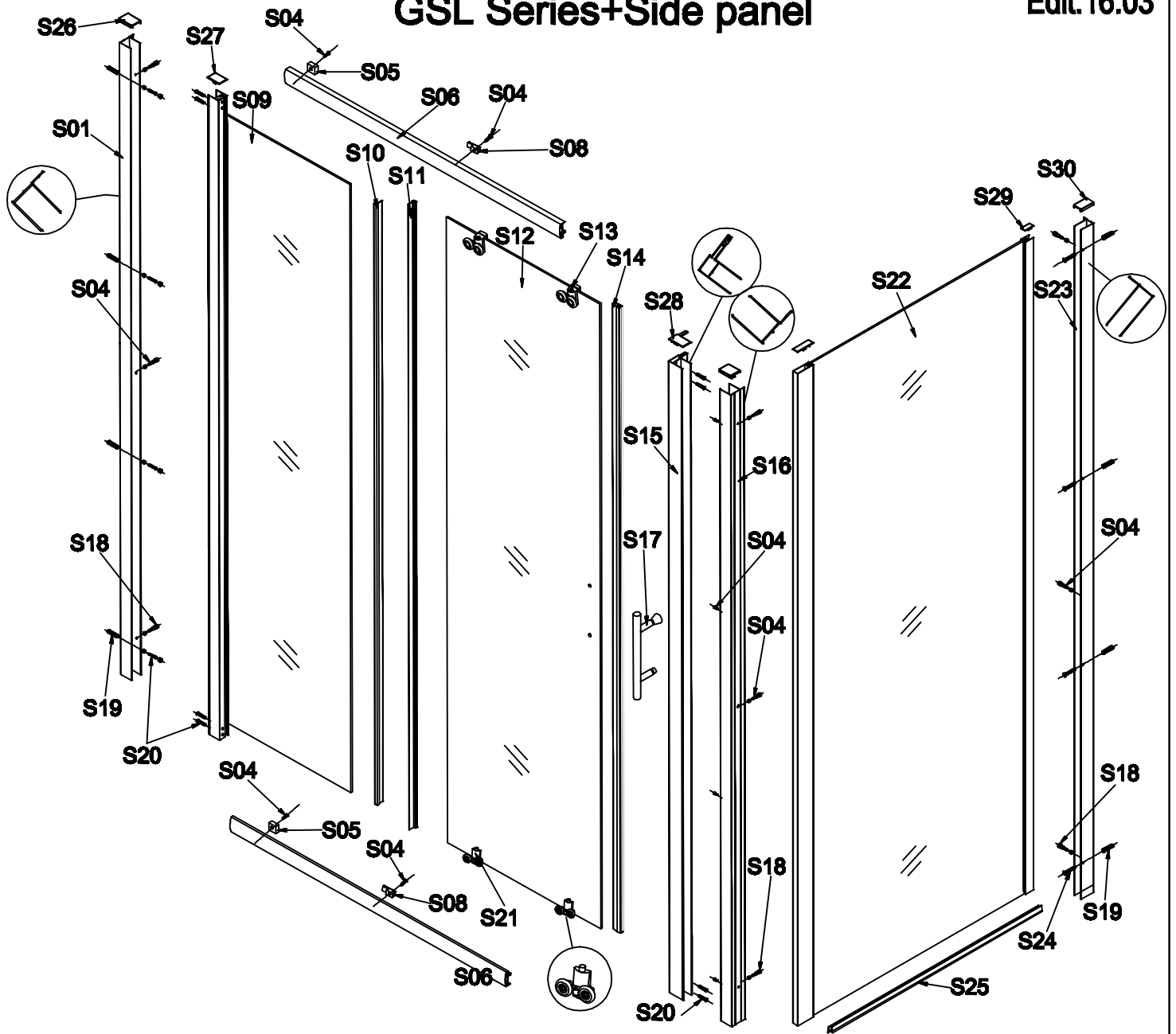


14.2

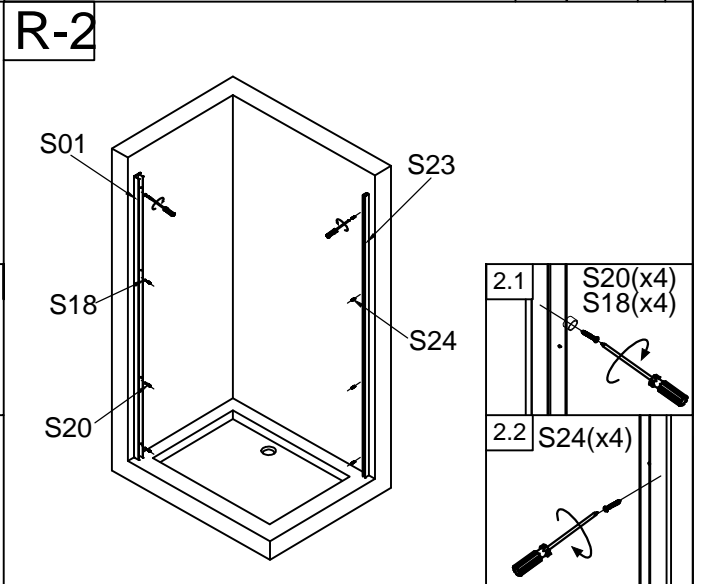
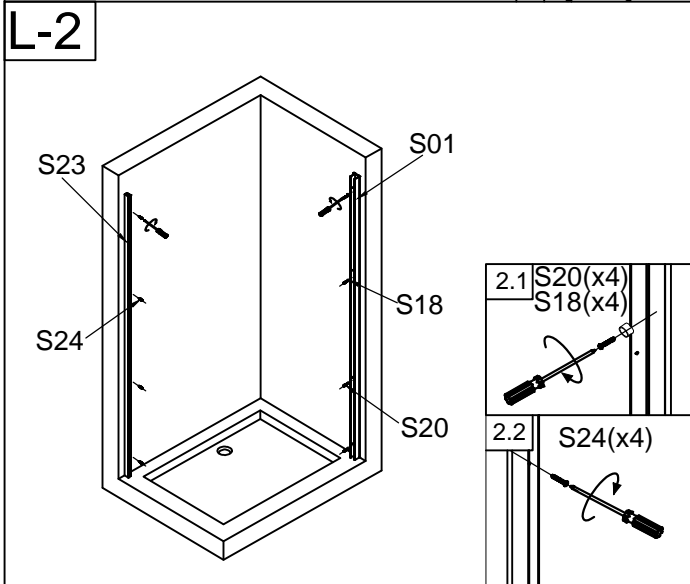
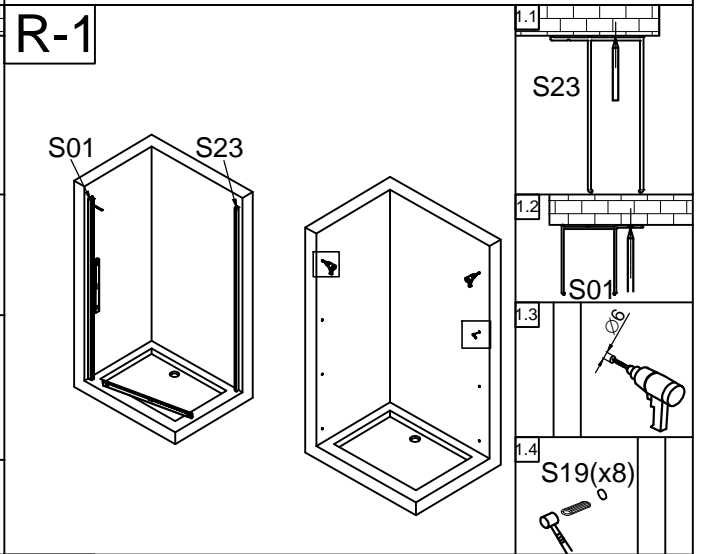
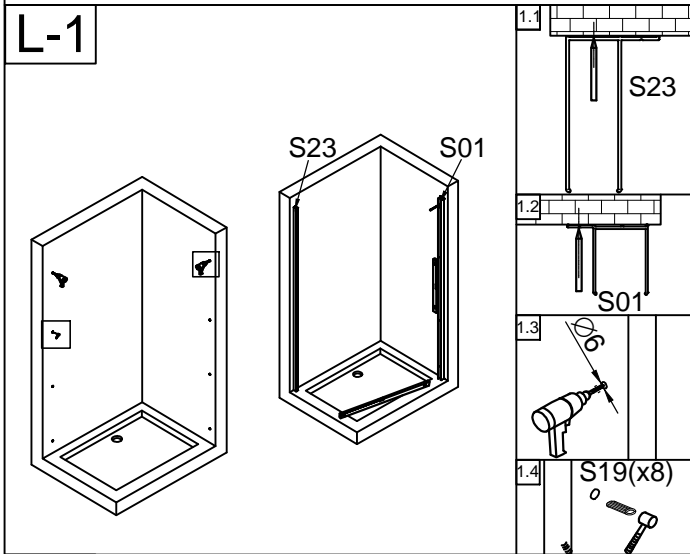
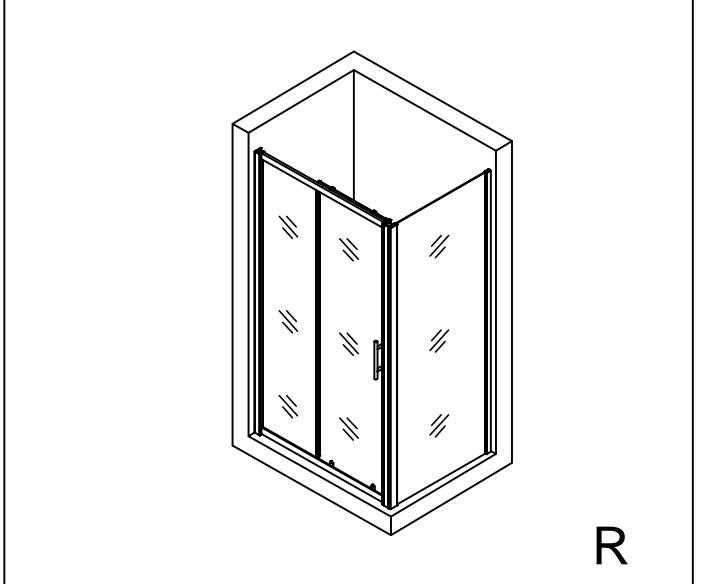
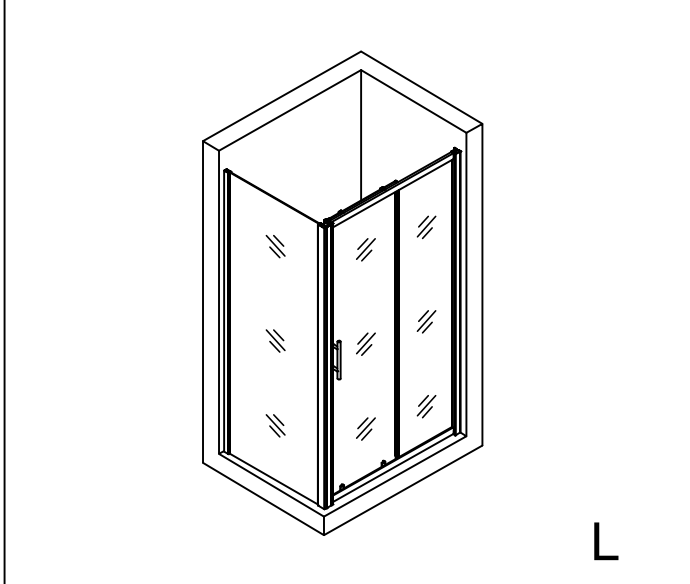
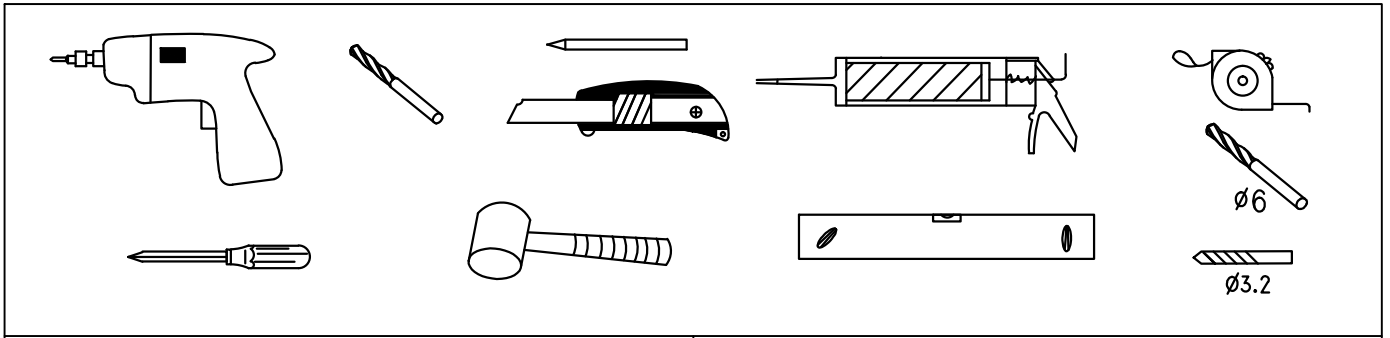


GSL Series+Side panel

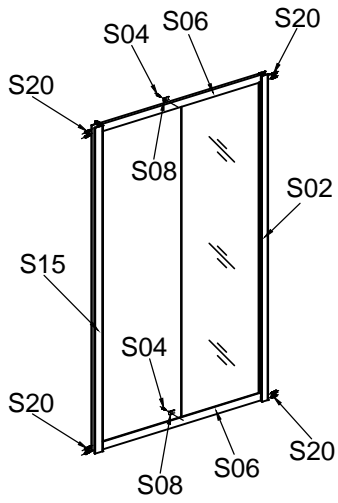
Edit:16.03



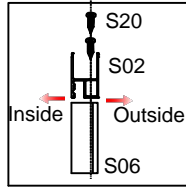
| | | | | | | |
|---|---|-----------------------------|--|-----------------------------|---|---|
| <p>S01</p> <p>x1</p> | <p>S04</p> <p>10</p> <p>ST4</p> <p>x17</p> | <p>S05</p> <p>x2</p> | <p>S06</p> <p>x2</p> | <p>S08</p> <p>x2</p> | <p>S10</p> <p>L=1766</p> <p>x1</p> | <p>S11</p> <p>L=1833</p> <p>x1</p> |
| <p>S13</p> <p>x2</p> | <p>S14</p> <p>x1</p> | <p>S15</p> <p>x1</p> | <p>S16</p> <p>The holes in the middle</p> <p>x1</p> | <p>S17</p> <p>x1</p> | <p>S18</p> <p>x13</p> | <p>S19</p> <p>x8</p> |
| <p>S20</p> <p>30</p> <p>ST4</p> <p>x12</p> | <p>S21</p> <p>x2</p> | <p>S23</p> <p>x1</p> | <p>S24</p> <p>30</p> <p>ST4</p> <p>x4</p> | <p>S25</p> <p>x1</p> | <p>S26</p> <p>x2</p> | |
| <p>S27</p> <p>x1</p> | <p>S28</p> <p>x2</p> | <p>S29</p> <p>x1</p> | <p>S30</p> <p>x2</p> | | | |



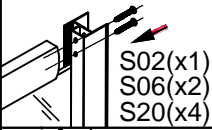
L-3



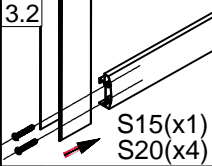
3.1



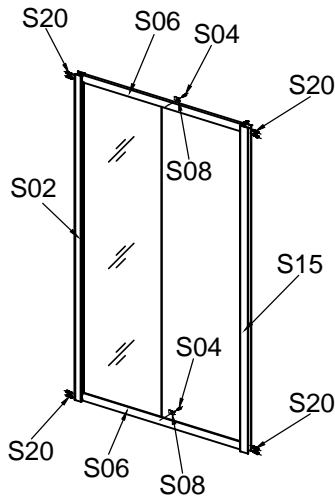
3.2



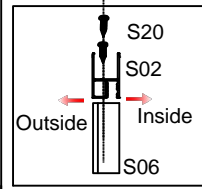
3.3



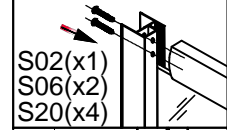
R-3



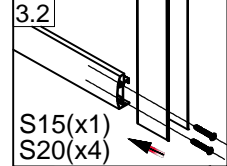
3.1



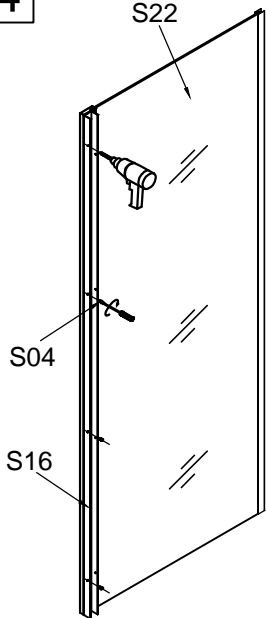
3.2



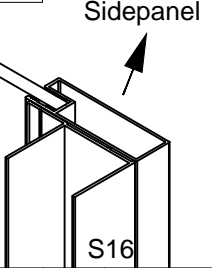
3.3



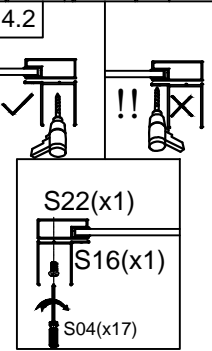
L-4



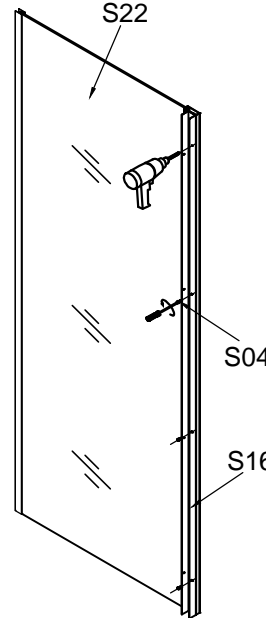
4.1



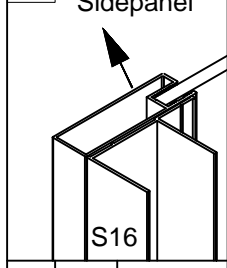
4.2



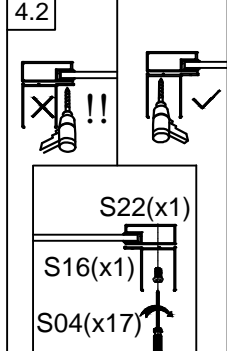
R-4



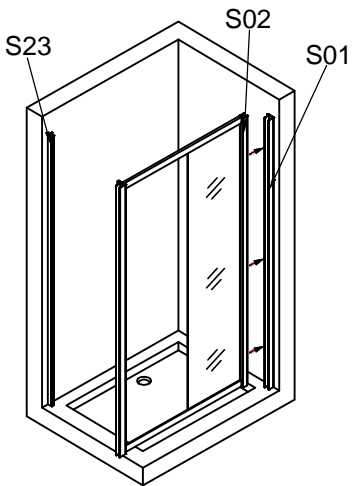
4.1



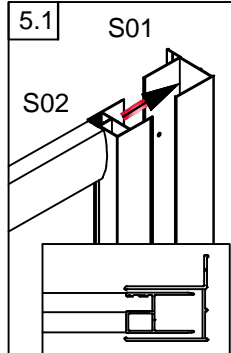
4.2



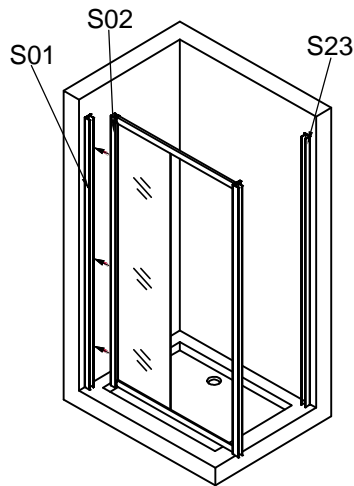
L-5



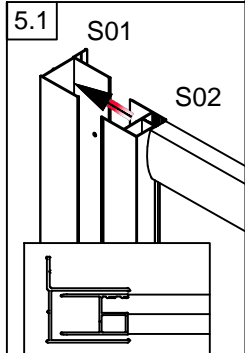
5.1



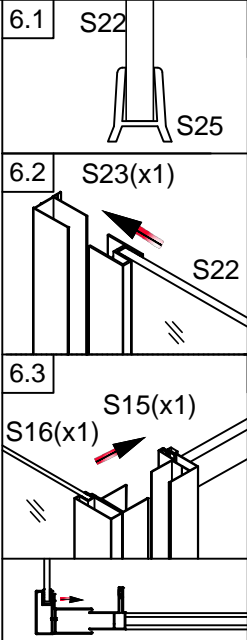
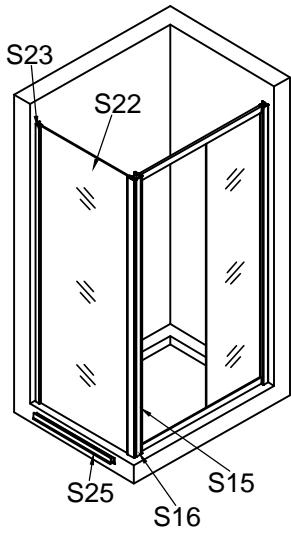
R-5



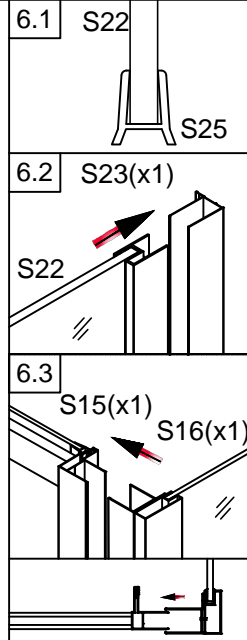
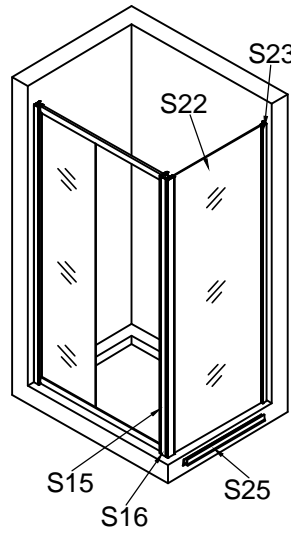
5.1



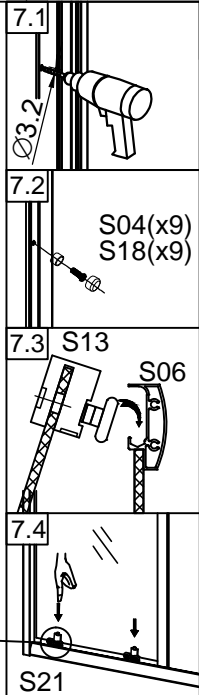
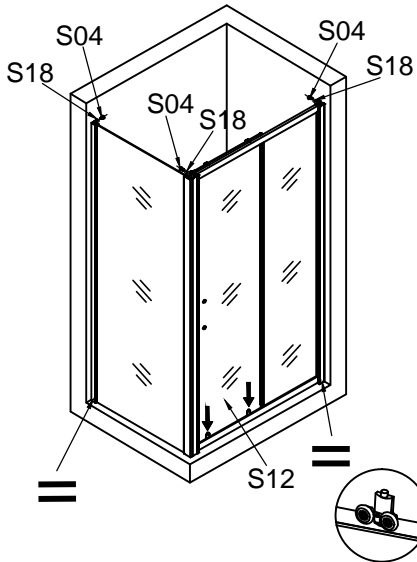
L-6



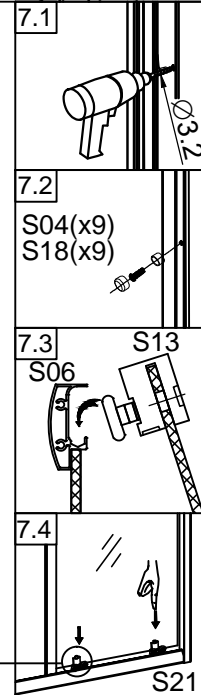
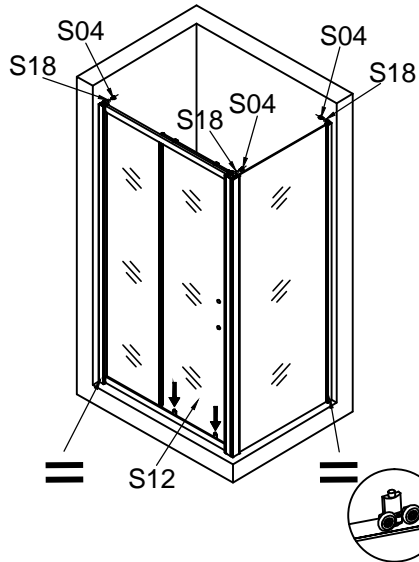
R-6



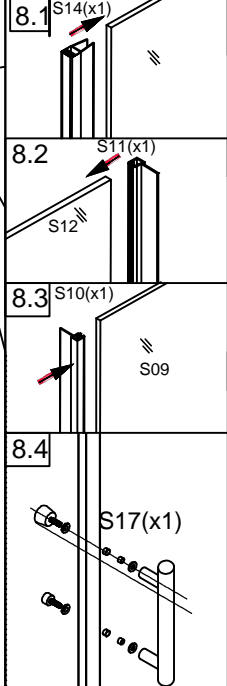
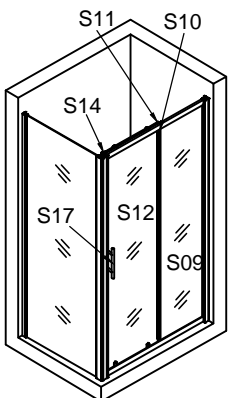
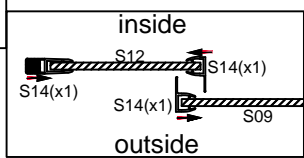
L-7



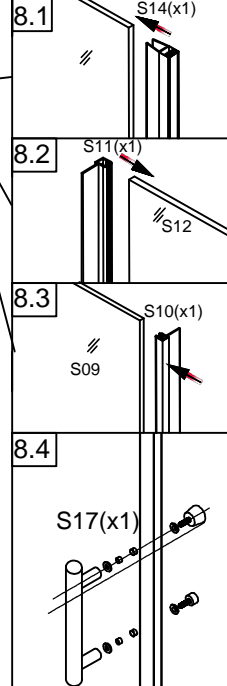
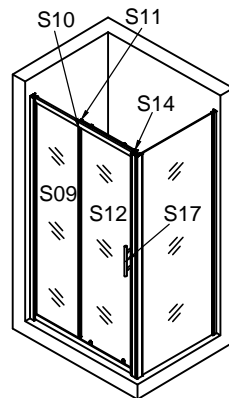
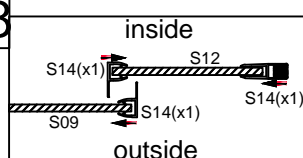
R-7



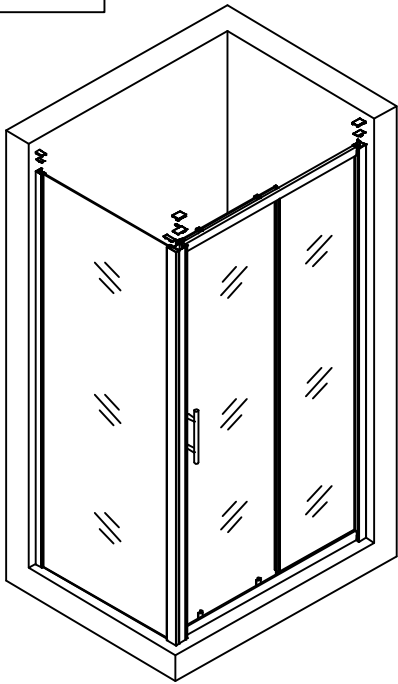
L-8



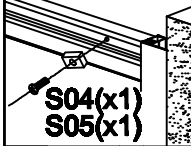
R-8



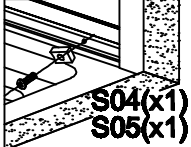
L-9



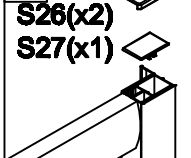
9.1



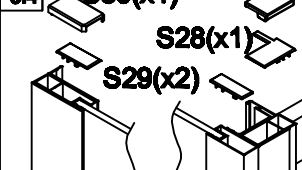
9.2



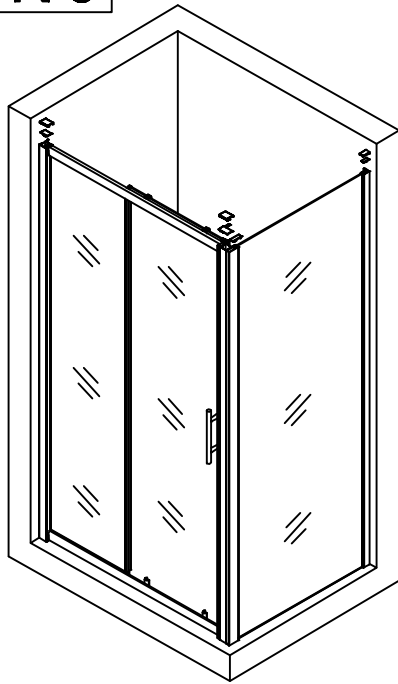
9.3



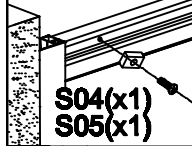
9.4



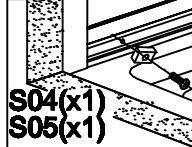
R-9



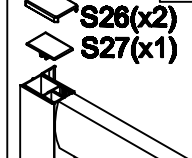
9.1



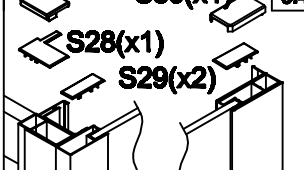
9.2



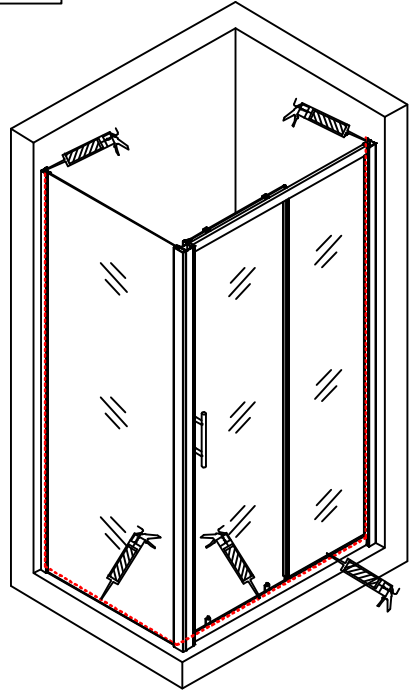
9.3



9.4



L-10



R-10

