

# Bonsenkitchen

## Electric Grill Operation Instructions

Model: GV8001



[www.bonsenkitchen.com](http://www.bonsenkitchen.com)



# Contents

IMPORTANT SAFEGUARDS .....	1-2
PACKAGE CONTENTS .....	3
KNOW YOUR ELECTRIC GRILL .....	3
TECHNICAL DETAILS .....	3
INITIAL USE .....	4-5
CLEANING AND MAINTENANCE .....	5
COOKING TIPS .....	6
WARRANTY CLAIM PROCEDURE .....	7
ENVIRONMENT FRIENDLY DISPOSAL .....	7

# IMPORTANT SAFEGUARDS

Before using the electrical appliance, the following basic precautions should always be followed including the following:

**⚠ WARNING** – To reduce the risk of fire, electric shock, or serious personal injury:

1. Keep this product out of the reach of children. This product is not intended for use by children. Close supervision is necessary when using any appliance near children.
2. Do not leave the product unattended while in use.
3. Do not touch hot surfaces. Use the Handles.
4. Do not immerse the Power Cord or Plug in water or other liquid.
5. Unplug the Power Cord from the electrical outlet when not in use and before cleaning. Allow to cool before putting on or taking off parts, and before cleaning the product.
6. Do not plug or unplug the product into/from an electrical outlet with a wet hand.
7. Do not use attachments not recommended for use with this product by the product manufacturer.
8. Do not place the product on or near a hot gas or electric burner, or in a heated oven.
9. Use extreme caution when moving an appliance containing hot oil or other hot liquids.
10. Always attach the Power Cord to the product before plugging it into an electrical outlet. To disconnect, turn any control to "off," then remove plug from wall outlet.
11. Use only the provided Power Cord with this product.
12. If the product falls into water, immediately unplug it from the electrical outlet.
13. Do not touch or reach into the water.
14. Use in a well-ventilated area. Keep at least 4-6 inches of space on all sides to allow adequate air circulation.
15. This appliance is not intended for use by persons (including children) with reduced physical, sensory, or mental capabilities, or lack of experience and knowledge, unless they have been given supervision or instruction concerning use of the appliance by a person responsible for their safety.
16. Children should be supervised to ensure that they do not play with the appliance.
17. Appliances are not intended to be operated by means of an external timer or separate remote-control system.
18. Do not operate the product if it has a damaged or cut Power Cord or Plug, if wires are exposed, if it malfunctions, or if it has been dropped or damaged. This product has no user-serviceable parts; do not attempt to examine or repair it yourself. Only qualified service personnel should perform any servicing. Take the product to the appliance repair shop of your choice for inspection and repair.

**⚠ CAUTION** – To reduce the risk of personal injury:

1. Do not allow the Power Cord to hang over the edge of a table or counter, where it may be tripped over or pulled, and do not allow the Cord to touch hot surfaces.
2. To disconnect from the electrical outlet, turn the Temperature Control to the OFF position, and then pull directly on the Plug; do not pull on the Power Cord.
3. Always wear protective oven mitts or heat-resistant gloves when using this product.
4. Always operate the product on a flat, level, stable, heat-resistant surface.

**⚠ NOTICE** – To reduce the risk of product and/or property damage:

1. This product is intended solely for indoor, non-commercial, household cooking of foods for human consumption. Do not use the product outdoors or for any other purpose.

**SPECIAL INSTRUCTIONS:**

A short detachable power-supply cord is provided to reduce the risk resulting from becoming entangled in or tripping over a longer cord. Extension cords are available and may be used if care is exercised in their use. If an extension cord is used:

- The marked electrical rating of the extension cord must be at least as great as that of the product;
- The cord should be arranged so that it does not drape over the countertop or tabletop where it can be pulled on by children or tripped over unintentionally.

**WARNING:** This product has a polarized plug (one blade is wider than the other). To reduce the risk of electric shock, this plug is intended to fit into a polarized outlet only one way. If the plug does not fit fully into the outlet, reverse the plug. If it still does not fit, contact a qualified electrician. Do not attempt to modify the plug in any way.

**SAVE THESE INSTRUCTIONS.  
HOUSEHOLD USE ONLY.**

# PACKAGE CONTENTS

1 Electric grill

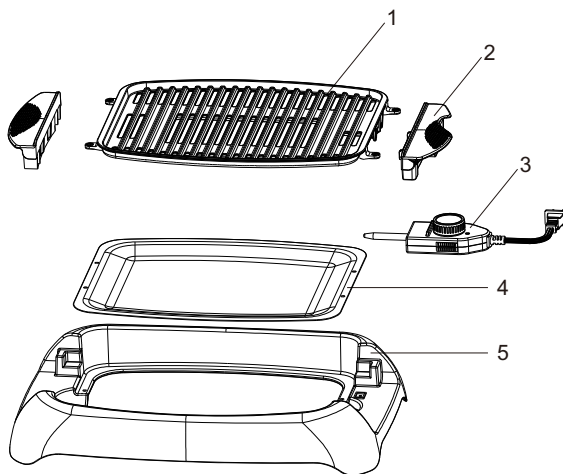
1 Operating instructions

Check the delivery contents for completeness immediately after unpacking.

Remove all packaging materials and plastic film from the appliance.

# KNOW YOUR ELECTRIC GRILL

1. Grill plate
2. Handle
3. Detachable temperature dial
4. Drip tray
5. Base



# TECHNICAL DETAILS

120V~ 60Hz, 1000W

# INITIAL USE

Before the first use, wash the grill plate and drip tray in warm soapy water; rinse and dry.

**WARNING:** Do not touch hot surfaces. Always use the Handles. Also use protective oven mitts or gloves to avoid burns.

**WARNING:** According to the US Department of Agriculture's Food Safety and Inspection Service, cook foods such as meat, fish, and poultry thoroughly before consuming them in order to avoid food-borne illnesses. Before consuming, determine the temperature of the foods using a food thermometer (not included).

**NOTICE:** Use only plastic, wooden, or silicone utensils to avoid scratching the surface of the Grill Plate.

1. Place the Base on a flat, level, stable, heat-resistant surface and place the Drip Tray in the Base. Place the Grill Plate onto the Base. Make sure the Grill Plate is level.
2. Attach the Power Cord:  
Make sure the Electrical Pins and the Sockets of the Power Cord and Grill Plate are dry. Attach the Power Cord by firmly inserting its Electrical Pin into the Socket in the side of the Grill Plate. Rotate the Temperature Control completely counterclockwise to OFF.
3. Plug the Power Cord into a standard 120-volt AC electrical outlet.
4. Lightly coat the Grill Plate with cooking oil/spray, shortening, or butter.
5. Rotate the Temperature Control clockwise until the desired temperature setting aligns with the Indicator Light. The Indicator Light will illuminate, indicating the unit is preheating. When the Light shuts off, the unit has reached the set temperature.
6. Using a utensil, place food to be cooked onto the Grill Plate, starting in the center and working outward. Use your utensil to turn the food as necessary to ensure it is cooked thoroughly and to prevent burning.
7. When food is cooked as desired, use a utensil to remove it.
8. Rotate the Temperature Control to OFF and unplug the Power Cord.
9. Clean as described in the "Care and Maintenance" section.

## **NOTICE:**

1. Use medium to low heat for best cooking results. Very high temperatures can cause discoloration and shorten the life span of any non-stick surface. If higher temperatures are necessary, preheat on medium for a few minutes.
2. Grease will drip through the Drain Hole and onto the Drip Tray during cooking.
3. The Indicator Light and the heating element will cycle on and off as the temperature is maintained.

## **CLEANING AND MAINTENANCE**

**WARNING:** Make sure the Power Cord is unplugged from the electrical outlet and the unit has cooled before cleaning or storing it.

**NOTICE:** Do not use harsh or abrasive pads or cleaners to clean the product.

1. Remove the Power Cord by pulling it out of the Grill Plate.
2. The Drip Tray may be placed in a dishwasher for cleaning or washed by hand with soap and water.
3. Wash the Grill Plate by hand with soap and water and a sponge or cloth.

**NOTICE:** Do not place the Grill Plate in a dishwasher for cleaning.

1. Clean the Power Cord by wiping it with a damp cloth.
2. Wipe the Base clean with a damp cloth or clean it with soap and water if necessary.
3. Dry all parts thoroughly, paying particular attention to the Electrical Pins and the Sockets.
4. Store in a cool, dry location.



## COOKING TIPS

To prevent burning thicker foods while making sure they are cooked thoroughly, cook them on a lower setting and for a longer time, turning them frequently.

### Cooking Chart:

Food	Recommended Temperature	Approximate Cooking Time (minutes)
Bacon	350°F	8-14
Sausage	350°F	20-30
French Toast	350°F	6-10
Hamburgers	350°F	5-14
Ham Slices	350°F	14-18
Sandwiches	350°F	6-10
Pork Chops	350°F	20-30
Steak (rare)	445°F	4-6
Steak (medium)	445°F	8-12
Steak (well done)	445°F	13-18

## WARRANTY CLAIM PROCEDURE

To ensure quick processing of your case, please observe the following instructions: Please have the till receipt and the item number (S/N: 12345) available as proof of purchase.

You will find the item number as a sticker on the rear or bottom of the appliance. If malfunctions or other defects occur, please contact our customer service listed either by telephone or by email.

If you request any further assistance, please contact us:

Customer service: **1-888-965-8032**

[support@bonsenkitchen.com](mailto:support@bonsenkitchen.com)

## ENVIRONMENT FRIENDLY DISPOSAL

This product must not be disposed together with the domestic waste. This product has to be disposed at an authorized place for recycling of electrical and electronic appliances. By collecting and recycling waste, you help save natural resources, and make sure the product is disposed in an environmental friendly and health way.



Register your product at [www.bonsenkitchen.com](http://www.bonsenkitchen.com)  
to get more perks!



Follow us @bonsenkitchen

## **Bonsen Electronics Inc.**

📍 : 5805C Peachtree Corners East  
Norcross, GA, 30092

☎ : 1-888-965-8032

✉ : [support@bonsenkitchen.com](mailto:support@bonsenkitchen.com)