

# Bonsenkitchen

## Vacuum Sealer

Operation Manual

Model:VS3000



[www.bonsenkitchen.com](http://www.bonsenkitchen.com)

## Introduction

Congratulations on the purchase of this modern and high-quality product. This instruction manual contains important information on safety, usage and disposal. Before using the product, familiarize yourself with all handling and safety guidelines. This device may only be used as described and for the purposes indicated. Please also pass these operating instructions on to any future owner(s).

## Safety Instructions

Always abide by the following safety rules and instructions when using electrical appliances and read these instructions carefully before using the vacuum sealer.

- Read all instructions.
- Do not touch hot surfaces. Use handles or knobs.
- To protect against electric shock do not immerse the cord or main unit in water or other liquid.
- Close supervision is necessary when any appliance is used by or near children.
- Unplug from outlet when not in use and before cleaning.
- Do not operate the device with a damaged cable or plug or after a malfunction of the device or after damage. Contact customer service for inspection, repair or adjustment.
- Do not use outdoors.
- Do not let the cable hang over the edge of the table or counter and do not touch hot surfaces.
- Do not place on or near a hot gas or electric burner, or in a heated oven.
- Do not open the appliance cover during operations.
- Always ensure the upper/bottom cover in correct location during operations.
- This product is only authorized for domestic use and not for commercial or industrial purposes. It is only intended for applications described in these instructions.
- This vacuum sealer may be used by children aged 8 years old and over if they are supervised by an adult and have been told how to use the appliance safely and are aware of potential risks.
- Cleaning and maintenance may not be carried out by children unless they are 8 years old or older and are supervised.
- Children must not play with the vacuum sealer.

**WARNING:** Do not immerse the vacuum sealer in water or other liquids when cleaning it. If

the supplied power cord is damaged, it should be replaced by a qualified technician in order to avoid a hazard.

## **SAVE THESE INSTRUCTONS**

### **OPERATING INSTRUCTIONS**

- If the SUPPLY CORD is damaged, it must be replaced by the manufacturer, its service agent or similarly qualified person in order to avoid a hazard.
- A short power-supply cord is to be provided to reduce the risk resulting from becoming entangled in or tripping over a longer cord.
- Longer extension cords are available and may be used if care is exercised in their use.
- If an extension cord is used,
  - 1) The marked electrical rating of the extension cord should be at least as great as the electrical rating of the appliance;
  - 2) If the appliance is of the grounded type, the extension cord should be a grounding-type 2-wire cord;
  - 3) The longer cable should be arranged so that it does not hang over the counter top or table top where it can be pulled by children or where it can be accidentally tripped over.

### **Placement**

- Always place the vacuum sealer away from the edge of the counter top.
- Make sure the vacuum sealer is placed on a firm, flat surface.
- Do not use the vacuum sealer outdoors or near water.

**WARNING:** When in use do not place the vacuum sealer onto a metal tray or metal surface.

### **Personal Safety**

**WARNING:** To protect against fire, electric shock and personal injury, do not immerse the plug and vacuum sealer in water or any other liquid.

**WARNING:** Misuse of the vacuum sealer can cause personal injury.

- Disconnect the vacuum sealer from power before cleaning and not in use.
- Allow the vacuum sealer to cool down before putting on or taking off parts and before cleaning.
- Do not move the vacuum sealer while it is switched on.

### **Other Safety Considerations**

- Only use officially-provided attachments and accessories.
- Do not use the vacuum sealer for any use other than its intended purpose.
- Keep the vacuum sealer away from heat sources.
- When using the vacuum sealer, make sure the lid is properly in place and secure before operation.

**CAUTION:** To prevent damage to the vacuum sealer, do not use water or any liquid when cleaning.

### **Disposal of Packaging Materials**

- The packaging protects the appliance from damage during carriage.

- The packaging materials have been selected for their environmental friendliness and ease of disposal, and are therefore recyclable.
- Returning the packaging to the materials cycle conserves raw materials and reduces the amount of waste that is generated. Dispose of packaging materials that are no longer needed in accordance with applicable local regulations.

**NOTE:**

If possible, keep the original packaging during the warranty period so that the device can be properly packed for returning in the event of a warranty claim.

## Scope of Delivery

The appliance is supplied with the following components as standard:

- 1 x Vacuum Sealer
  - 10 x Vacuum Bags (7.9 x 11.8 inches)
  - 2 x Vacuum Tubes
- ▶ Check the package for completeness and for signs of visible damage.
  - ▶ If the consignment is incomplete or damaged due to defective packaging or carriage, please contact us.

## Installation Requirements

For safe and trouble-free operation of the device, the set-up location must fulfill the following requirements:

- When setting it up, place the appliance on a firm, flat and horizontal surface.
- Do not place the device in a hot, wet or extremely damp environment or in the vicinity of flammable materials.
- The mains power socket must be easily accessible, so that the power cable can be easily disconnected in the event of an emergency.

## Electrical Connection

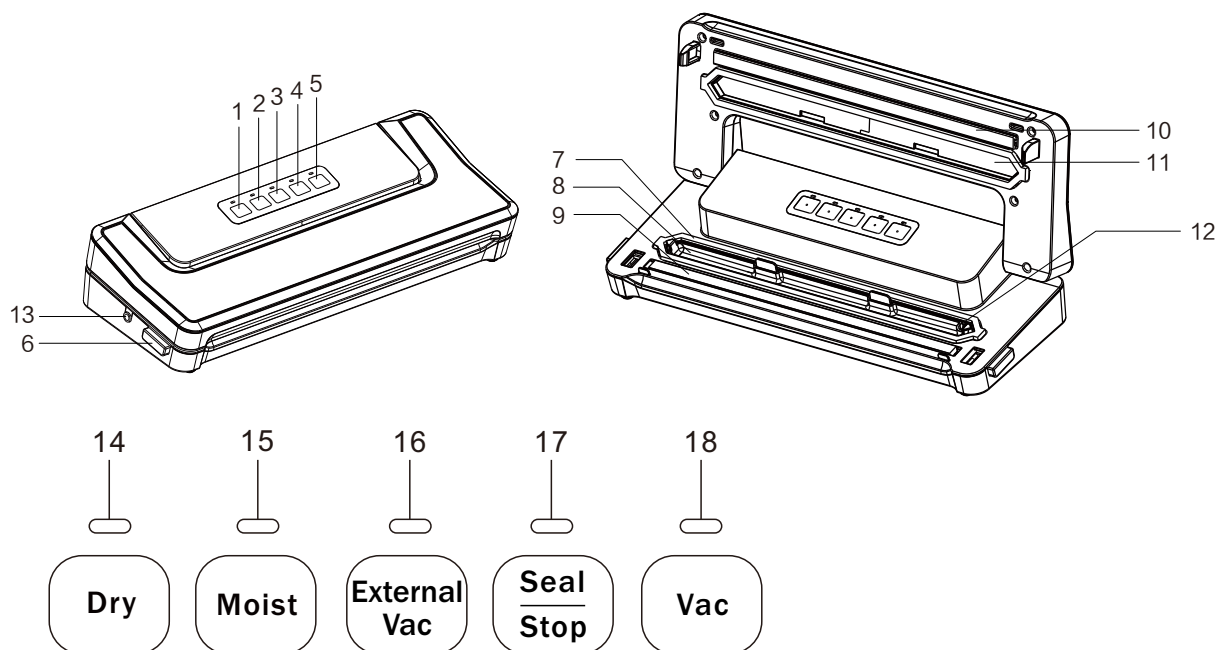
- ▶ Before connecting the device, compare the connection data (voltage and frequency) on the type plate with those of your power supply. This data must match to prevent damage to the device.
- ▶ Make sure that the power cord is undamaged and does not run over hot surfaces and/or sharp edges.
- ▶ Make sure that the power cord is not taut or bent.
- ▶ Do not let the power cable hang over edges (trip wire effect).
- ▶ Insert the plug into the mains power socket.

## Sealing Vacuum Bags

- ▶ The bag width may not exceed 11.8 inches. Otherwise it cannot be welded correctly.
- ▶ Use only nylon-PE films with a structure (points or grooves) on one side and a thickness of approximately 0.006 - 0.012 inch. Otherwise the weld seam will not be tight and the appliance may be damaged. You can recognize bags of this type from the information on the package. The quality of the weld seam will vary depending on the type and thickness of the bag.
- ▶ Open the device cover by pressing the cover release and fold the cover upwards. Place the open end of the bag in the machine so that the opening of the bag lies centrally under the lower sealing ring. The bag should not be inserted further than the rear ring and must lie between the front and sealing rear sealing ring. If the bag lies over one or both of the sealing rings, the bag cannot be properly sealed.

- ▶ The bag opening must lie flat on the welding wire. Otherwise, welding will not work properly. Close the cover of the device. The seal presses the bag onto the sealing wire to create a smooth seam. Make sure that both corners of the lid are closed. If necessary, press the top cover again so that the lid clicks in audibly and firmly. Select the mode (dry or wet). When the selection is **Dry**, the **Dry** indicator lights up. When Moist is selected, the indicator **Moist** will light up.
- ▶ Make sure that the weld is properly closed. A correct weld should be a smooth, straight strip without wrinkles.
- ▶ Fill the bag in such a way that no food residues or liquids can escape and enter the machine during sealing.
- ▶ Wait 15 seconds before sealing the next bag to allow the appliance to cool down.

## Parts



### 1. Buttons:

1) Dry            2) Moist            3) External Vac            4) Seal/Stop            5) Vac

13) External interface switch/ Suction switch

### 2. Indicate Light:

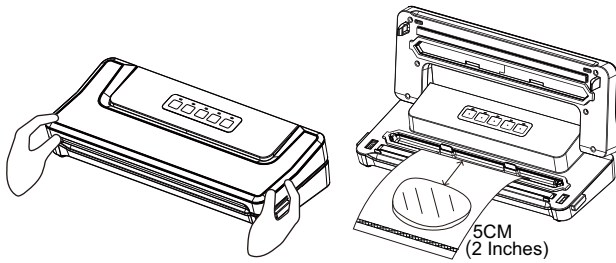
14) Dry Indicator            15) Moist Indicator            16) External Vac Indicator  
 17) Seal Indicator            18) Vac Indicator

### 3. Other Parts:

6) Open Button            7) Vac Cotton            8) Vac Chamber  
 9) Heating Seal            10) Sealing Rubber Strip            11) Snap Joint  
 12) External Interface /Suction Interface

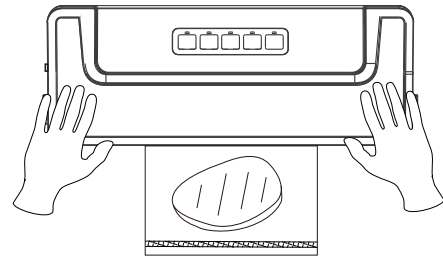
# Operating the equipment

## 1. How to use "DRY" vacuum mode :



(Pic.1)

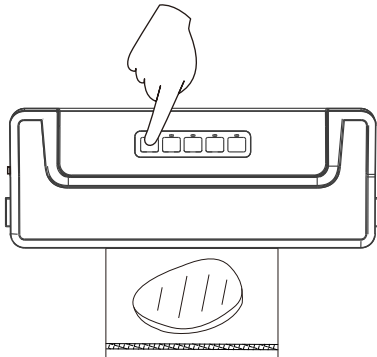
Place item(s) in bag, allowing at least 5cm (2 inches) of space between bag contents and the open end of bag. More space is required for larger item(s).



(Pic.2)

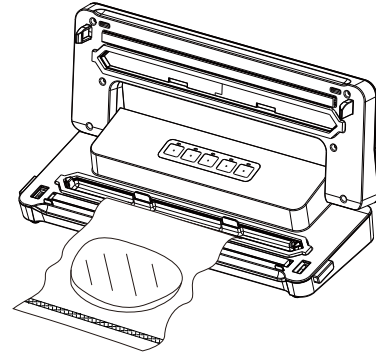
Push down both sides of the lid until hear a big lock-up sound. (Pic.2)

① ②  
③ ④



(Pic.3)

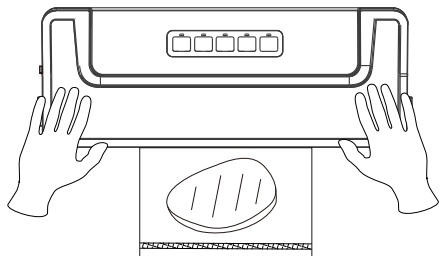
Press "Dry" button, it will automatically vacuum the seal.



(Pic.4)

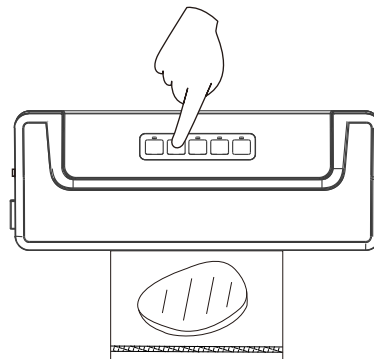
Open the lids by pressing the buttons on both sides after "Dry" and "Seal Stop" indicator lights turn off. Take out the bag.

**2. How to use “Moist”vacuum mode :**



**(Pic.1)**

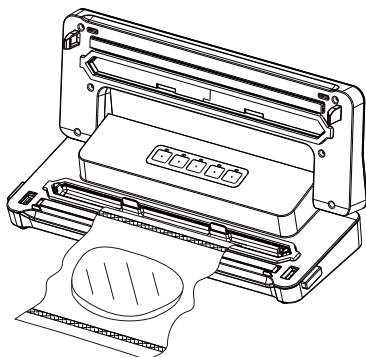
**Push down both sides of the lid until hear a big lock-up sound. (Pic.1)**



**(Pic.2)**

**Press” Moist” button, it will automatically vacuum the seal.(Pic.2)**

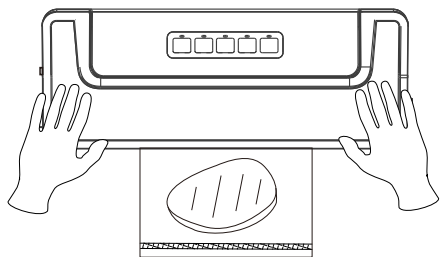
- ① ②  
③



**(Pic.3)**

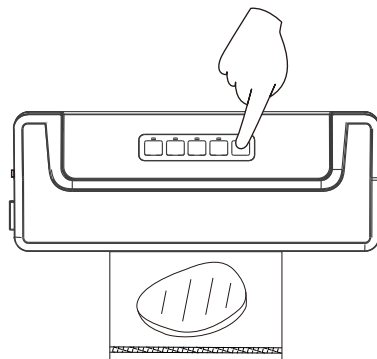
**Open the lids by pressing the buttons on both sides after “Vac” and “  $\frac{\text{Seal}}{\text{Stop}}$  ” indicator lights turn off. Take out the bag. (Pic.3)**

**3. How to use “VAC” vacuum mode:**



**(Pic.1)**

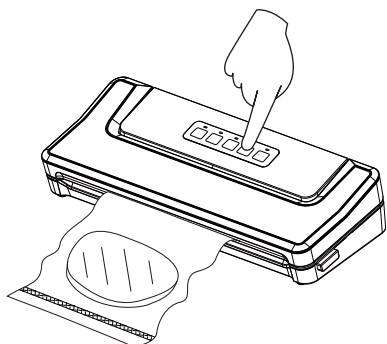
Push down both sides of the lid until hear a big lock-up sound.(Pic.1)



**(Pic.2)**

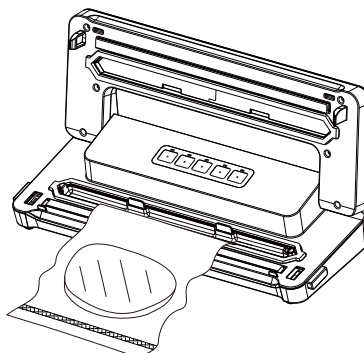
Press “Vac” button it will vacuum the seal as your desired.

- ① ②  
③ ④



**(Pic.3)**

and then Press “ $\frac{\text{Seal}}{\text{Stop}}$ ” button, it will automatically vacuum the seal. (Pic.3)

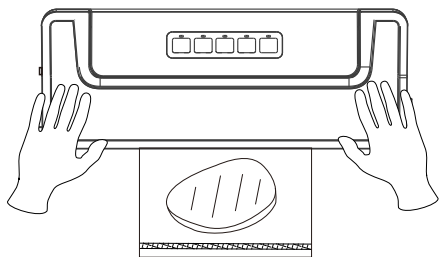


**(Pic.4)**

Open the lids by pressing the buttons on both sides after “ $\frac{\text{Seal}}{\text{Stop}}$ ” indicator lights turn off. Take out the bag. (Pic.4)

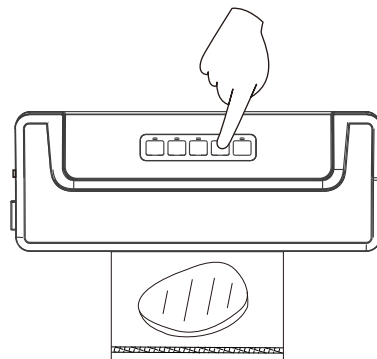


**4. How to seal only:**



**(Pic.1)**

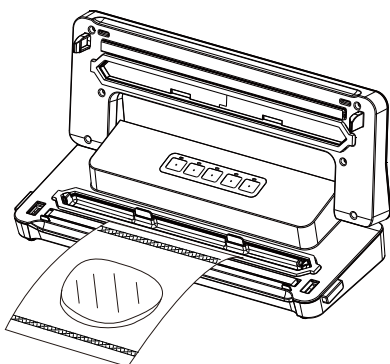
**Push down both sides of the lid until hear a big lock-up sound.**



**(Pic.2)**

**If you want to seal a bag without vacuuming, press “ $\frac{\text{Seal}}{\text{Stop}}$ ” button, indicator light turns on.(Pic.2)**

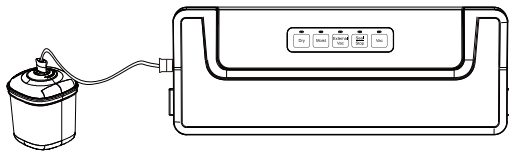
- ① ②  
③



**(Pic.3)**

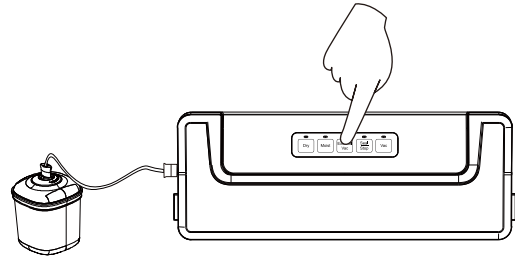
**Open the lids by pressing the buttons on both sides after indicator light turns off, then take out the bag.**

5. How to vacuum packaging jar:



(Pic.1)

Insert one end of Accessory Hose into Accessory Port on appliance. Insert the other end into port on the jar. (Pic.1 universal interface)

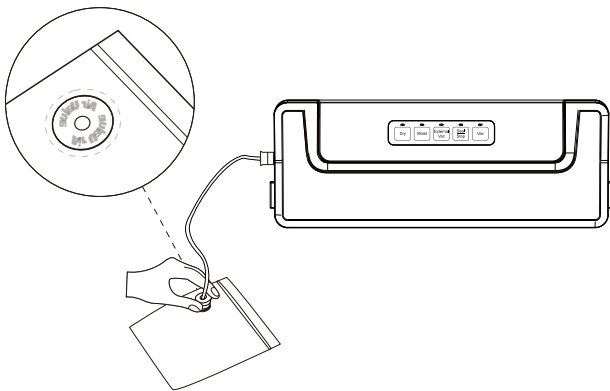


(Pic.2)

Press External interface switch on the appliance, it starts to vacuum. When it has no sound, it means job has been finished. You also can stop it whenever you want, just press “ $\frac{\text{Seal}}{\text{Stop}}$ ” button. (Pic.2)

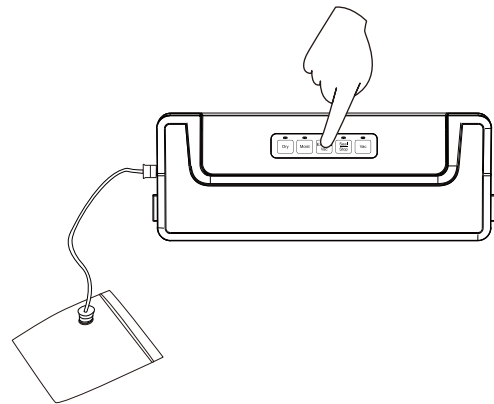
① ②

6. How to vacuum zipper bags:



(Pic.1)

Insert one end of Accessory Hose into Accessory Port on appliance. Insert the other end into port on the zipper bag. (Pic.1 universal interface)



(Pic.2)

Press External interface switch on the appliance, it starts to vacuum. When it has no sound, it means job has been finished. You also can stop it whenever you want, just press “ $\frac{\text{Seal}}{\text{Stop}}$ ” button. (Pic.2)

① ②

If you want to vacuum wine core, you can use the same vacuum hose, same operation.

**NOTE:** Once you have sealed 5 bags continuously, allow the appliance to cool down for about 1 minute. During this cool-down phase, you cannot start the appliance. After the cool-down phase, you can use the appliance as normal.

## Cleaning

- ▶ Unplug the unit before cleaning it.
- ▶ Make sure that no moisture can penetrate into the device.
- ▶ Do not use aggressive or abrasive cleaning agents, as these can damage the surface of the housing.
- ▶ Do not use hard or sharp objects to remove adhesive from the welding wire. Otherwise the welding wire or the insulation could be damaged.
- ▶ Clean the surface of the device with a slightly moistened cloth and a mild detergent.
- ▶ Wipe off the upper and lower sealing rings as well as the press seal with a damp cloth. Make sure the device is dry before using it again.

## Storage

- ▶ The unit has a built-in cable holder on the bottom of the case, on which you can wind the power cord when not in use. This will prevent the power cord from getting caught, getting dirty or becoming a source of danger by hanging loosely.
- ▶ Store the appliance in a clean, dry place protected from direct sunlight.

## Warranty claim procedure

In order to ensure a quick processing of your case, please observe the following notes:  
The article number can be found as a sticker on the back or underside of the device.  
If functional or other defects occur, please contact the specified service center by e-mail.

Customer Service: [support@bonsenkitchen.com](mailto:support@bonsenkitchen.com)

Call Service: [1-888-965-8032](tel:1-888-965-8032)

## Warranty

The warranty for this device is 12 months from the date of purchase. The warranty only covers material and manufacturing defects, but not transport damage, wear parts or damage to fragile components such as buttons or sealing rings.

The guarantee expires in case of improper handling, use of force and internal manipulations which are not carried out by our authorized service center. Your statutory rights are in no way limited by this warranty. The warranty period is not extended by repairs under the warranty. This also applies to replaced and repaired parts. The device has been manufactured with care and carefully checked before delivery.

Please keep your receipt as proof of purchase.  
In case of warranty please contact our customer service.

## Technical Data

Model No.: VS3000

Operating Voltage: 120V~ 50Hz

Power Consumption: 120 W

Max. Width for Shrink-wrapping: 300mm (11.81 Inch)

Vacuum Value: >60 Kpa

Noise Level: about 77 dB

Product Dimension: 388x145x77 mm (15.3x5.7x3.0 Inches)

**Register your product at [www.bonsenkitchen.com](http://www.bonsenkitchen.com)  
to get more perks!**



**Follow us @bonsenkitchen**

**Bonsen Electronics Inc.**

**📍 : 5805C Peachtree Corners East  
Norcross, GA, 30092**

**☎ : 1-888-965-8032**

**✉ : [support@bonsenkitchen.com](mailto:support@bonsenkitchen.com)**