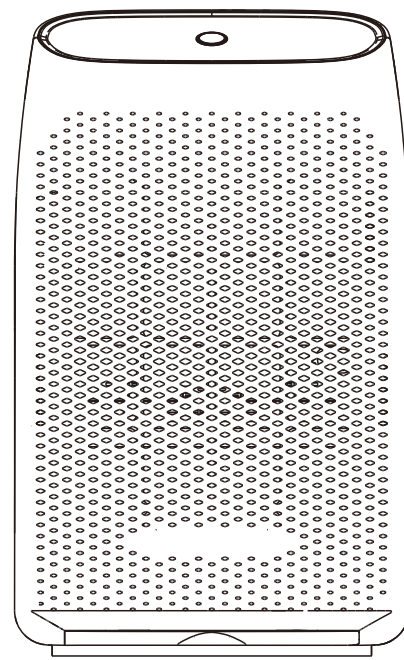


## DEHUMIDIFIER

Capacity 2000ml(68oz) | Model T8PLUS

## INSTRUCTION MANUAL

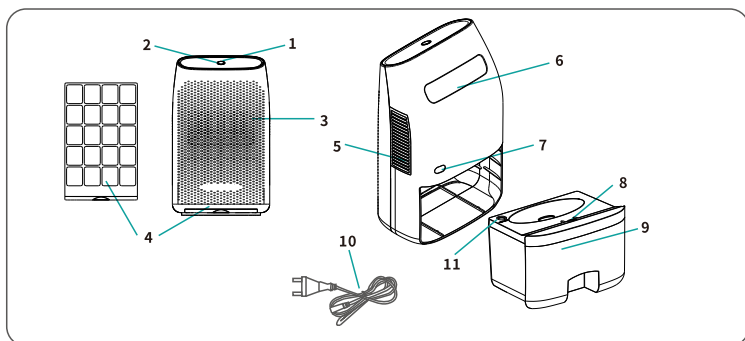


## DEHUMIDIFIER

Capacity 2000ml(68oz) | Model T8PLUS

### FEATURES

This dehumidifier uses Peltier Technology (not compressor) to make it lightweight and quiet. It is perfect for small and medium sized rooms and poorly ventilated areas that are susceptible to damp odors and fungus. Using this dehumidifier will help to eliminate unwanted moisture from the air.



- |                 |                     |              |
|-----------------|---------------------|--------------|
| 1 ON/OFF Button | 2 Indicator         | 3 Air Inlet  |
| 4 Filter        | 5 Air Outlet        | 6 Handle     |
| 7 Power Cable   | 8 Hydraulic Cut-Off | 9 Water Tank |
| 10 Power Line   | 11 Water Outlet     |              |

### SPECIFICATIONS

- Model No.: T8PLUS
- Size: 228\*150\*373mm
- Input: AC100-240V 50/60Hz
- Power: 40W
- Volume: 2L
- Working Capacity: 750ml/D (30°C, RH80%)
- Applicable Ambient Temperature: 10-50°C
- Coverage Area: <20m<sup>2</sup>

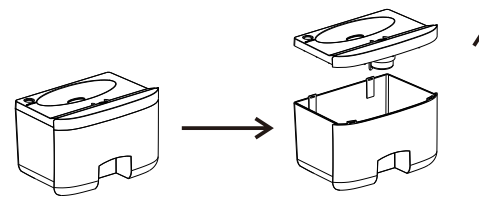
English | 1

### REMOVE THE WATER TANK

- The working capacity is 750ml per day, the maximum capacity of water tank is 2L.
- When the water tank is full, the indicator light turns yellow and the machine will auto-off. At the same time, press the power button to turn off the machine and take out the water tank. Pour the water out after removing the rubber plug.
- After pouring the water, put the water tank back and press the power to turn on the machine.
- When needn't to dehumidify, turn off the machine. Take out the water tank to pour the water out and then put it back.

### CLEANING

- Turn off the machine and unplug the power cord. Then clean any dust and dirt from surface or the air inlet with a soft cloth.
- Take out the filter, wash it under running water to remove the dust. Reset the filter after it is dry.
- Pull up the active buckle to open the water tank cover for cleaning. After cleaning, close the water tank cover and fasten the active buckle.



### SAFETY INSTRUCTIONS

- Ensure the dehumidifier's On/Off switch is set to off when the unit is not in use.
- DO NOT place the power cable in a wet or damp place. Avoid covering the cable.
- Avoid placing power cable in areas where it can become a tripping hazard.
- Avoid using extension cables as they may overheat and cause a fire risk.
- Keep the front air inlets and side air outlets free from blockages.
- Do not place the dehumidifier too close to other objects. ALWAYS keep the dehumidifier in an upright position to avoid leaks.

2 | English

- NEVER place anything on top of the dehumidifier. Do not cover it while in use.
- ALWAYS empty the water tank before storing the dehumidifier away.
- Dispose of water collected from the dehumidifier. This water is not drinkable.
- This dehumidifier is not a toy. Children and pets should be supervised when the dehumidifier is in use.

### Q&A

- Q1. Is it a compressor dehumidifier?  
A: No, it's a semiconductor dehumidifier, which is quieter and more compact than the compressor dehumidifier. We suggest to use the semiconductor dehumidifier for small space.
- Q2. How could I get a better efficiency of dehumidification?  
A: We suggest to use the dehumidifier in an environment where the relative humidity is over 60%. The most comfortable relative humidity for human is from 45% to 60%.
- Q3. Can the dehumidifier work in low temperature?  
A: We don't suggest to use the dehumidifier when the temperature is below 10°C(50°F), as the dehumidifier doesn't have defrosting function. If working in low temperature, please shut down the device for 1 hour after 3 hours' working until the frost melts, and then turn it on again.
- Q4. What square footage would this dehumidifier be good for?  
A: It's suitable for the place less than 20m<sup>2</sup>.
- Q5. What could affect the dehumidification performance?  
A: The dehumidification performance is affected by many factors: the environmental humidity, the temperature, the space size, the air flow speed (windows or door closed or not), and so on.

4 | English

English | 3