

Thank you very much for using our products.
Please read user manual carefully before use and keep it for future reference.

MINI
DEHUMIDIFIER

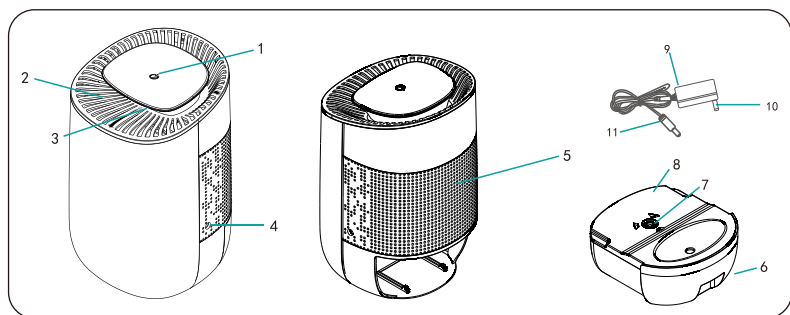
V1



INSTRUCTION MANUAL

FEATURES

This is a peltier dehumidifier with delicate shape, light weight and quiet operation. It is perfect for rooms and poorly ventilated areas, keeps your space Cool & Comfortable by removing 300ml of water/day with 600ml water tank.



- | | | |
|-----------------------|-----------------------|--------------|
| 1 ON/OFF Button | 2 Air Outlet | 3 Indicator |
| 4 Power Socket | 5 Air Inlet | 6 Water Tank |
| 7 Hydraulic Cut-off | 8 Water Tank Cover | 9 Adaptor |
| 10 AC Power Connector | 11 DC Power Connector | |

SPECIFICATIONS

Model No.: Q1
Size: 146*146*227mm
Input: DC9V 2.5A
Power: 23W
Volume: 600ml
Working Capacity: 300ml/D (30°C, RH80%)
Applicable Ambient Temperature: 5-50°C
Coverage Area: < 15m²

INSTRUCTION

1. General Instruction

- (1) Connect the adaptor with the dehumidifier and the socket.
- (2) Press the ON/OFF button to turn on the unit, and the indicator light will turn on with GREEN light.
- (3) To switch OFF, press the ON/OFF button again.

2. Indicator Operation

Press ON/OFF button for 3s to turn off the indicator.
Press ON/OFF button again to turn on the indicator.

3. Defrosting Function

When the unit detects the frost on the surface of the cooling plate, the unit will stop dehumidifying. After defrosting, the unit will continue to dehumidify automatically.

BUCKET FULL

1. The water tank has maximum capacity of 600ml with 300ml per day working capacity.
2. The indicator light will turn RED when the water tank is full, and the unit will auto-off.
3. **Please turn off the unit when the water tank is full**, pull out the water tank, do not tilt the water tank when it's filled with water. Then slide out the water tank cover, pour out the water, reinsert the cover.
4. Put the water tank back to the unit, press the ON/OFF button to restart.

CLEANING

1. Ensure the unit is power-off and unplugged.
2. Use a soft cloth to clean away any dust or debris from the surface of the unit and air inlet.
3. Pull out the water tank and slide out the cover to clean the water tank.

WARNING

1. Ensure the dehumidifier's ON/OFF button is OFF when the unit is not in use.
2. DO NOT place adaptor in a wet or damp place and ensure it is kept in a well ventilated area.
3. Keep the air inlet and air outlet free from being blocked.
4. ALWAYS keep the dehumidifier in an upright position to avoid leakages.