


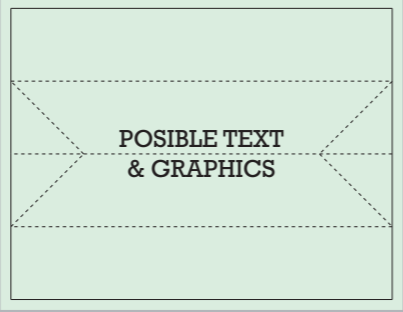


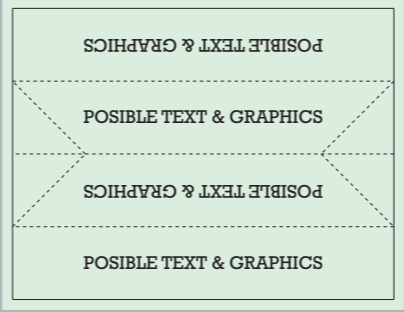
ORDER DETAILS	
MOCKUP NO.	
INQUIRY NO.	INQUIRY..V1
ORDER NO.	
PRODUCT DETAILS	
SIZE	110MM ROLLING TRAY FOLDING CARTON
QUANTITY	
VALUE ADDITION	
PRINTING EFFECT	CMYK

 DIE CUT LINE
 FOLD LINE
 BLEED LINE

REMARKS:
 - Artwork should be submitted in AI, EPS, PDF, CDR, PSD.
 - For JPEG, PNG and PSD please submit your artwork with a minimum of 300dpi

Please see the text and graphic direction guideline below.





VISIBLE AREA

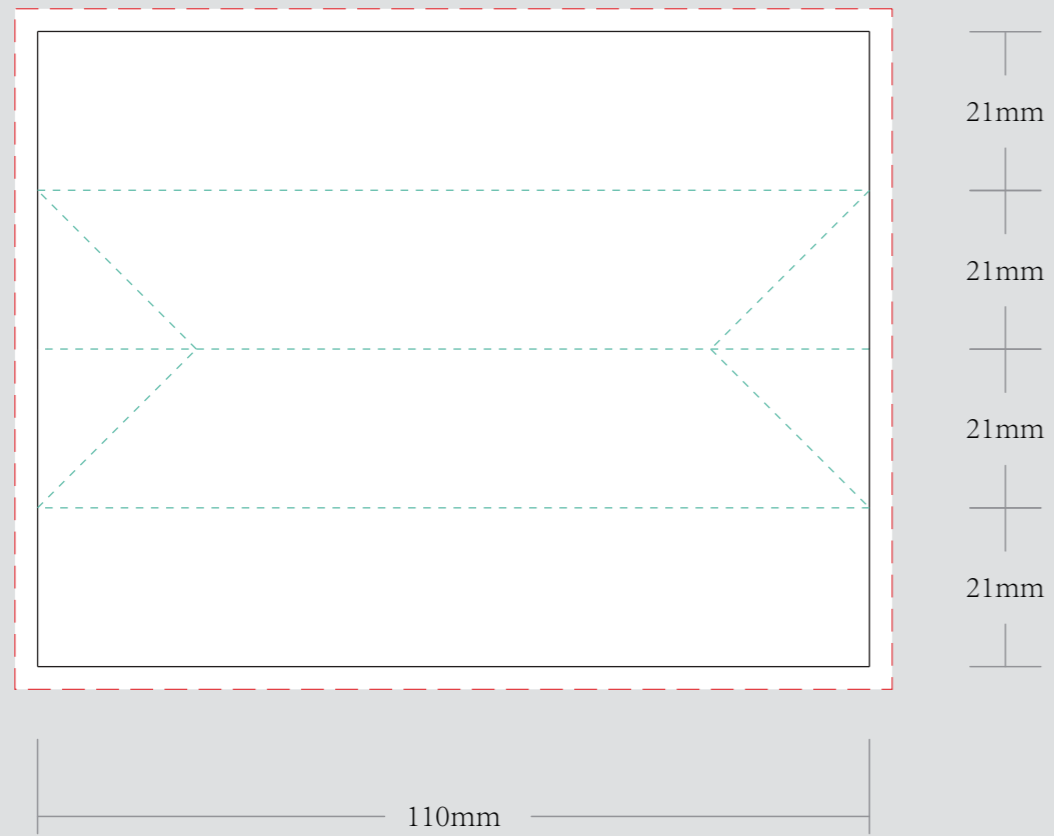
I accept the artwork and understand that any mistakes or omissions is my responsibility.

DATE:

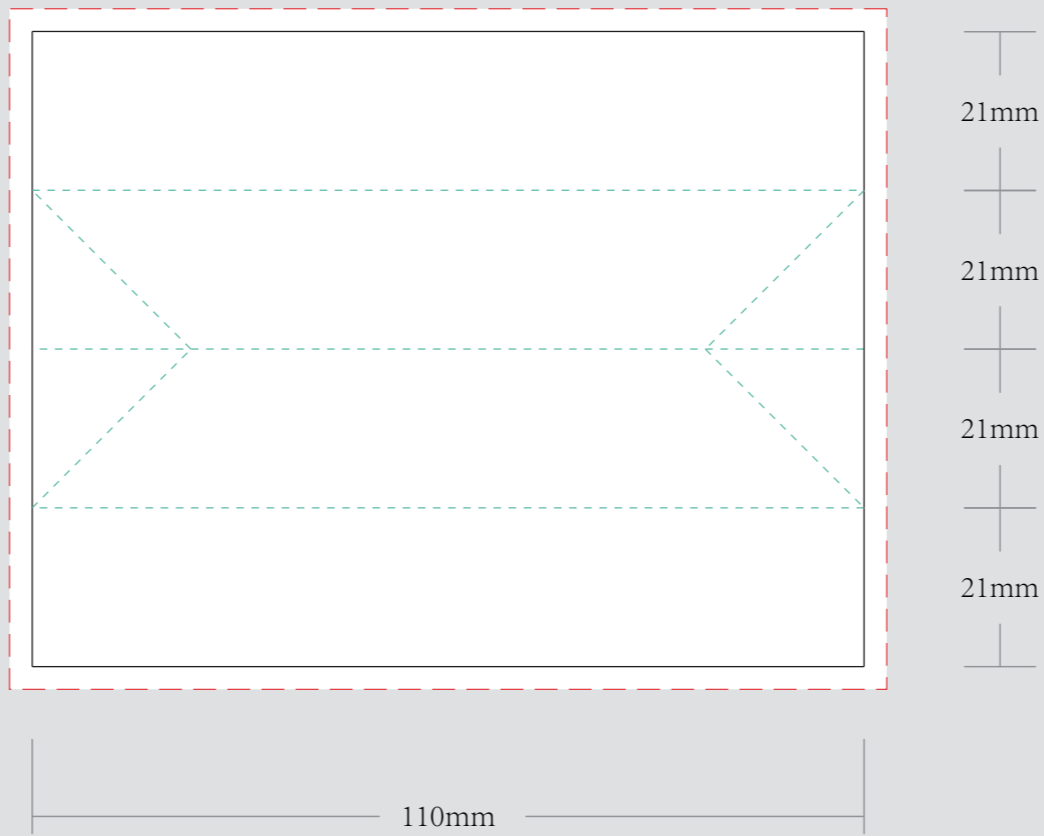
PRINT NAME:

APPROVAL SIGNATURE:

OUTSIDE



INSIDE



EXAMPLE

