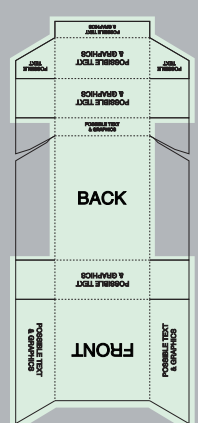


ORDER DETAILS	
MOCKUP NO.	WUFOO.
INQUIRY NO.	INQUIRY..V1
ORDER NO.	
PRODUCT DETAILS	
SIZE	PREMIUM PRE ROLL TUBE BOX-10 PE-64/26MM
PAPER TYPE	
QUANTITY	
BOX PACKING	
VALUE ADDITION	
PRINTING EFFECT	CMYK

_____ DIE CUT LINE
 - - - - - FOLD LINE
 - - - - - BLEED LINE

REMARKS:
 - Artwork should be submitted in AI, EPS, PDF, CDR, PSD.
 - For JPEG, PNG and PSD please submit your artwork with a minimum of 300dpi

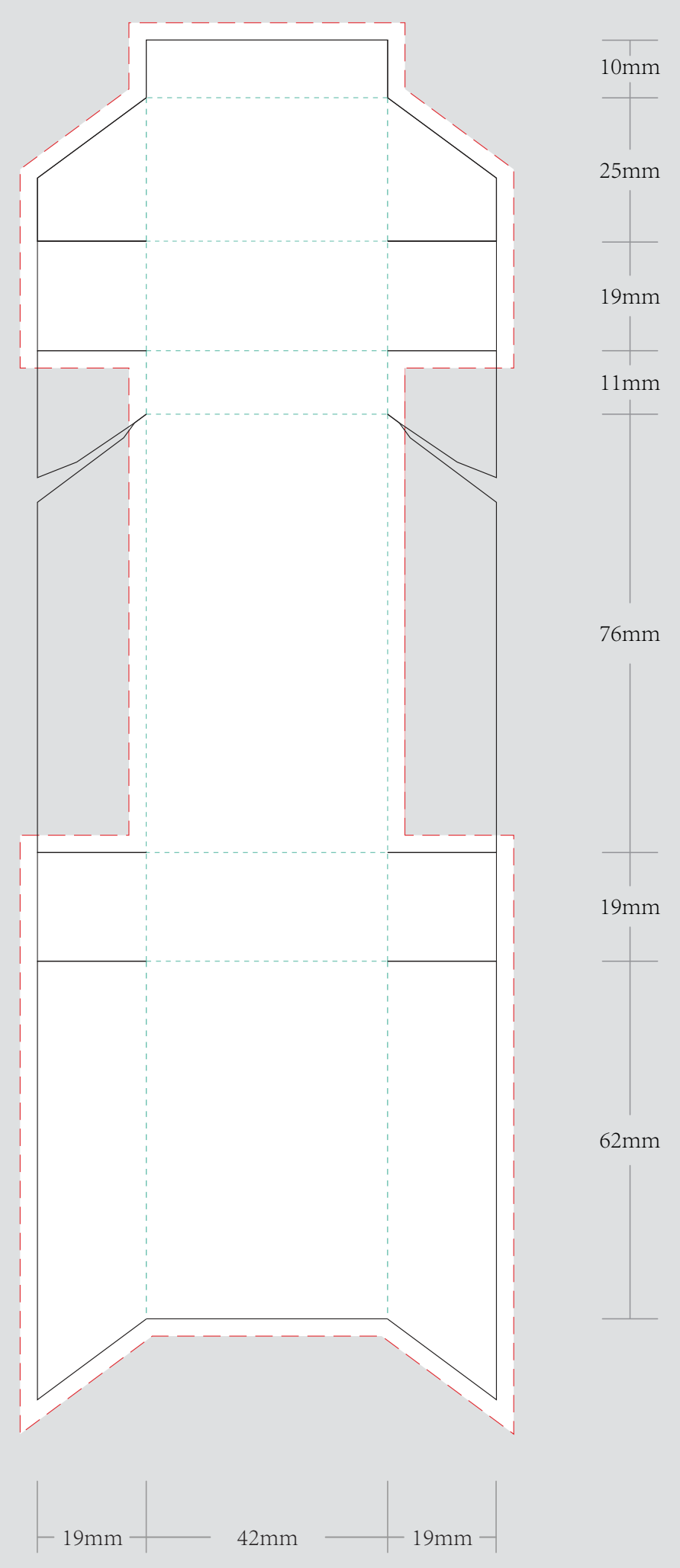
Please see the text and graphic direction guideline below.



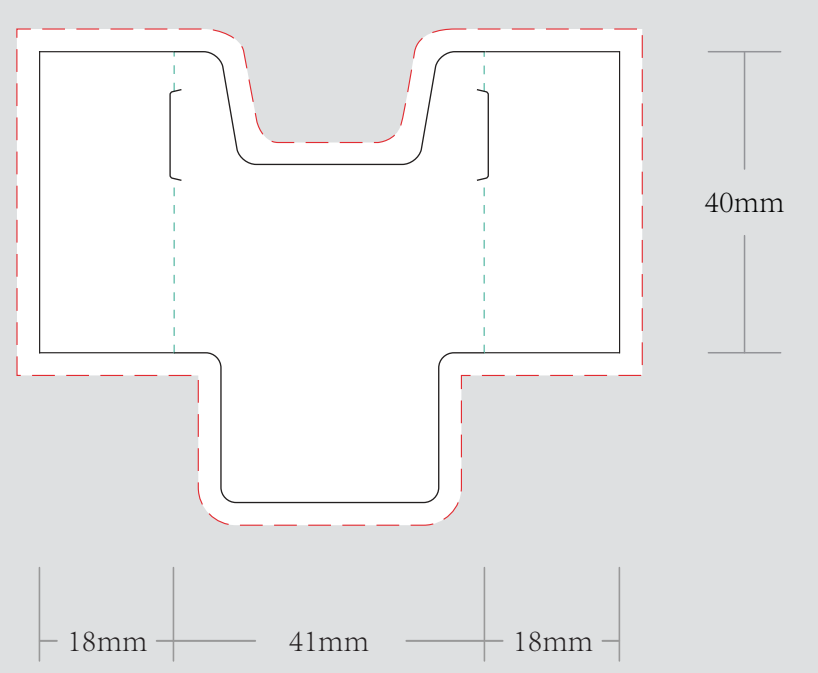
VISIBLE AREA

I accept the artwork and understand that any mistakes or omissions is my responsibility.
 DATE:
 PRINT NAME:
 APPROVAL SIGNATURE:

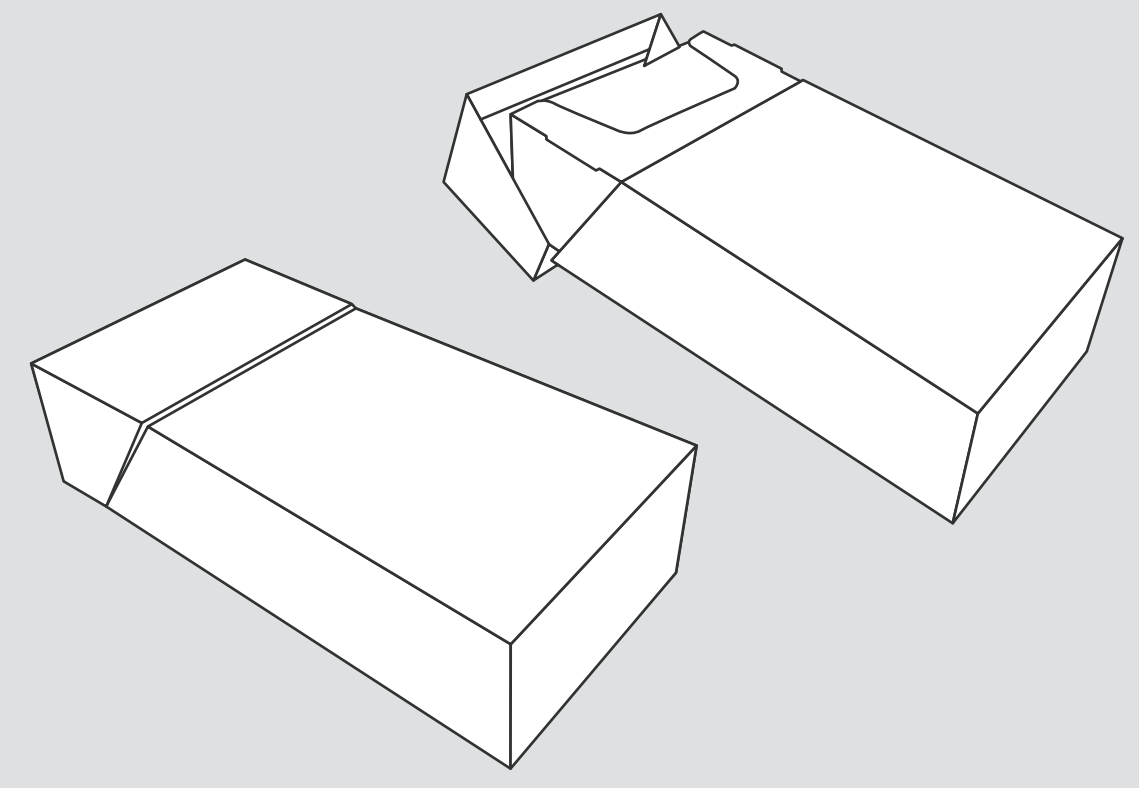
OUTER BOX



INSERT



EXAMPLE



INNER BOX

