




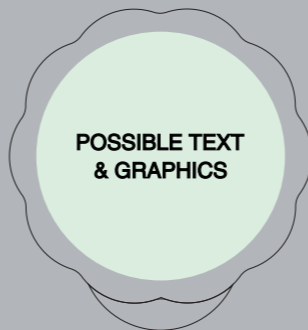
ORDER DETAILS	
MOCKUP NO.	WUFOO.
INQUIRY NO.	INQUIRY..V1
ORDER NO.	
PRODUCT DETAILS	
SIZE	DIA.40*62MM
COLOR	BLACK / CLEAR
QUANTITY	
VALUE ADDITION	
PRINTING EFFECT	CMYK

 **DIE CUT LINE**  
 **FOLD LINE**  
 **BLEED LINE**

**REMARKS:**  
 - Artwork should be submitted in AI, EPS, PDF, CDR, PSD.  
 - For JPEG, PNG and PSD please submit your artwork with a minimum of 300dpi

Please see the text and graphic direction guideline below.

VISIBLE AREA



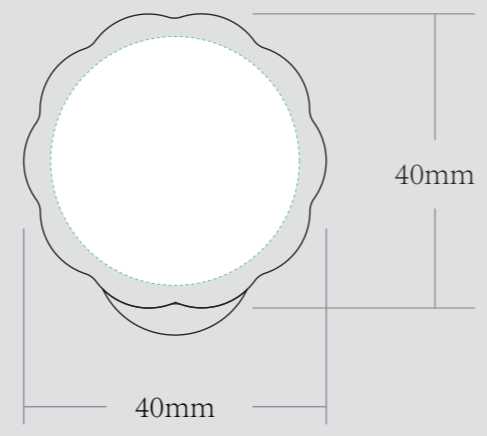
I accept the artwork and understand that any mistakes or omissions is my responsibility.

DATE: .....

PRINT NAME: .....

APPROVAL SIGNATURE: .....

## TOP



**PLEASE PUT THE DESIGN IN  
 RED DOTTED LINE AREA**

## EXAMPLE

