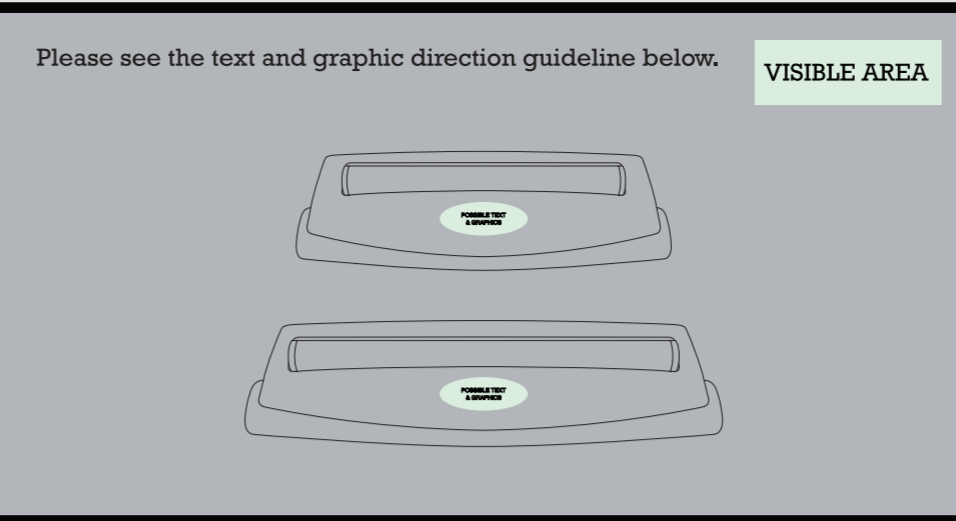


ORDER DETAILS	
MOCKUP NO.	WUFOO.
INQUIRY NO.	INQUIRY..V1
ORDER NO.	
PRODUCT DETAILS	
SIZE	110*35MM / 140*39MM
COLOR	RED / YELLOW / BLUE / PURPLE / GREEN DRAK GREEN / BLACK
QUANTITY	
VALUE ADDITION	
PRINTING EFFECT	CMYK

————— DIE CUT LINE

REMARKS:  
 - Artwork should be submitted in AI, EPS, PDF, CDR, PSD.  
 - For JPEG, PNG and PSD please submit your artwork with a minimum of 300dpi



I accept the artwork and understand that any mistakes or omissions is my responsibility.

DATE: .....

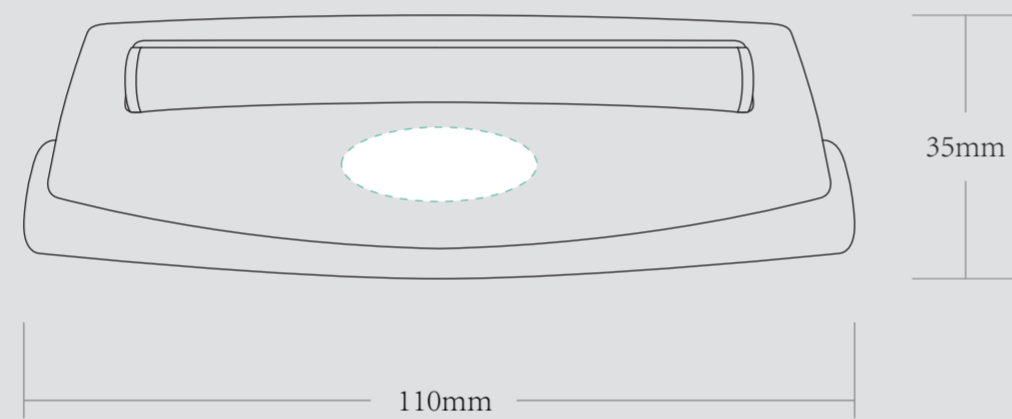
PRINT NAME: .....

APPROVAL SIGNATURE: .....

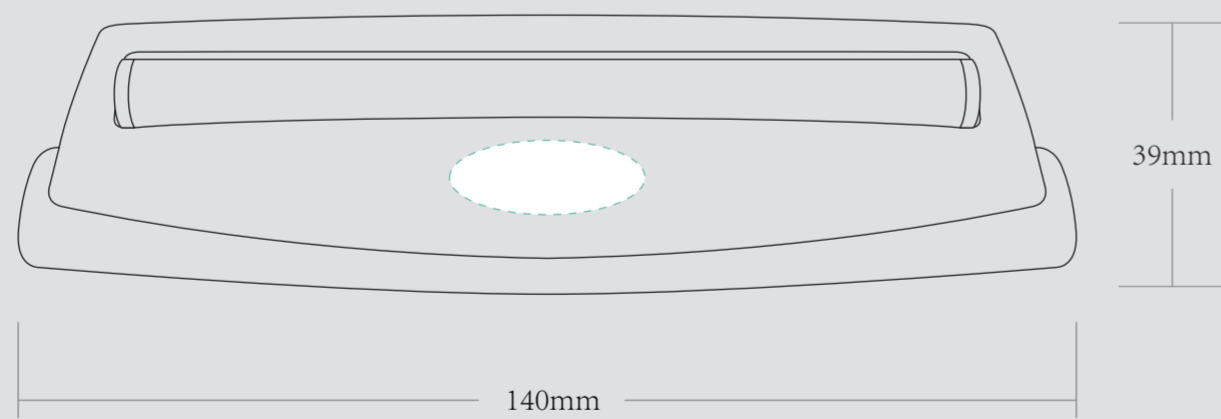
# CUSTOM CONE ROLLING MACHINE

# EXAMPLE

SMALL



LARGE



PLEASE PUT THE DESIGN IN GREEN DOTTED LINE AREA