

ORDER DETAILS	
MOCKUP NO.	WUFOO.
INQUIRY NO.	INQUIRY.V1
ORDER NO.	
PRODUCT DETAILS	
SIZE	47*105*17MM
QUANTITY	
VALUE ADDITION	
PRINTING EFFECT	CMYK

————— DIE CUT LINE

REMARKS:
 - Artwork should be submitted in AI, EPS, PDF, CDR, PSD.
 - For JPEG, PNG and PSD please submit your artwork with a minimum of 300dpi

Please see the text and graphic direction guideline below.

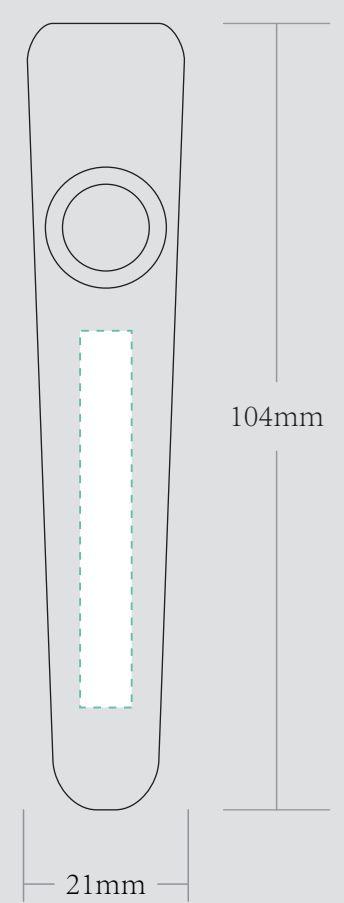
I accept the artwork and understand that any mistakes or omissions is my responsibility.

DATE:

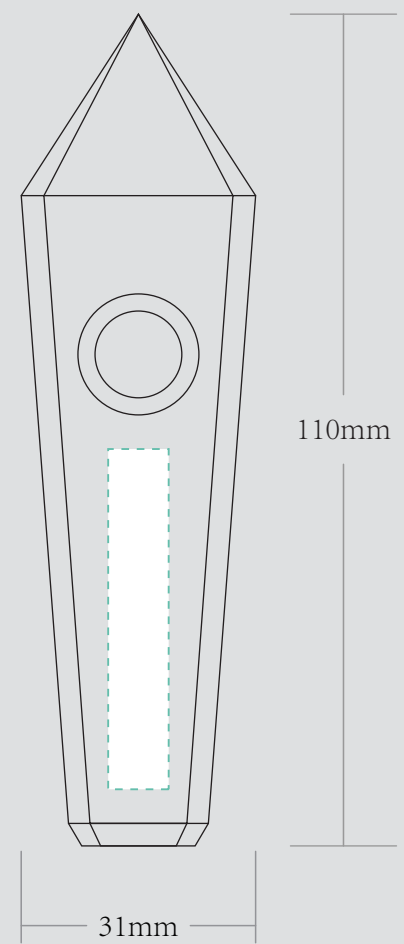
PRINT NAME:

APPROVAL SIGNATURE:

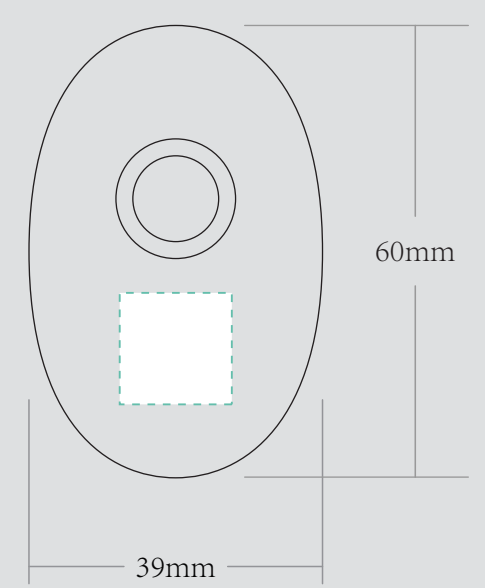
TUBULAR REIKI PIPE



TRAPEZIUM REIKI PIPE



OVAL REIKI PIPE



EXAMPLE



- DESIGN WITHIN DOTLINES
- BRAND NAME (TEXT ONLY).
- OUTCOME IS GOLD COLOR ONLY