

Product Specification

12/2017

1. Model : FR-SD002

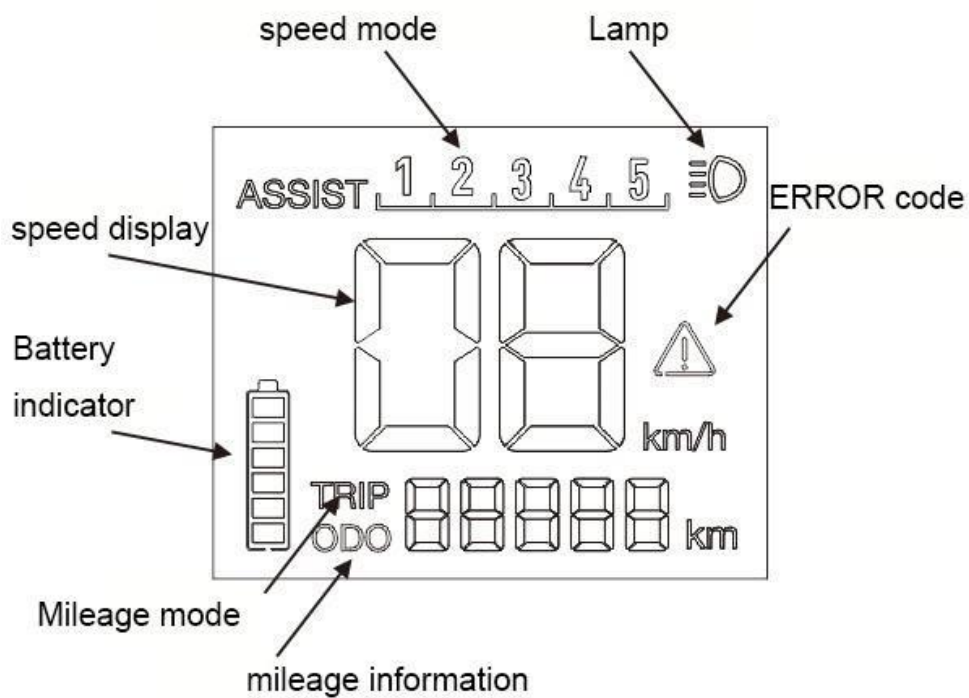
2. Suppliers : BTN EBIKE

3. Electrical Parameters

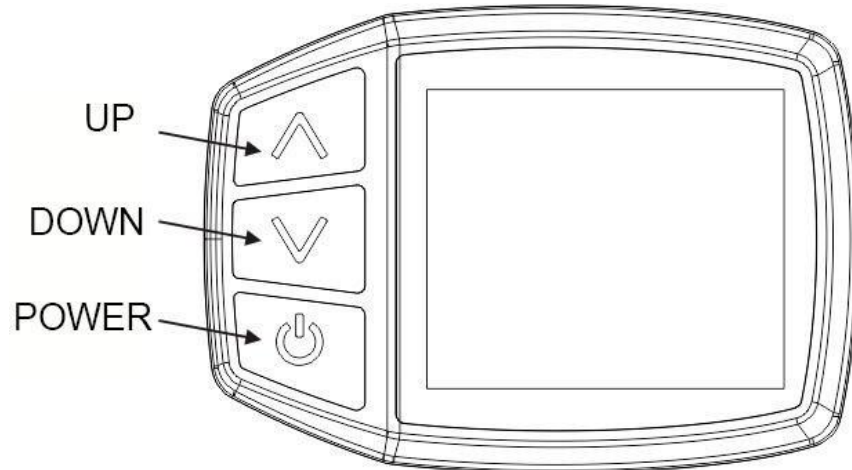
36V/48V battery supply

Operating temperature : -20~70℃

Storage temperature : -30~70℃

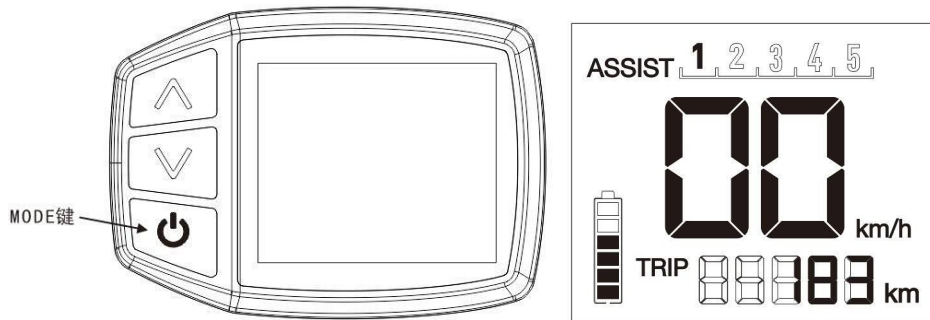


4.Functional Description



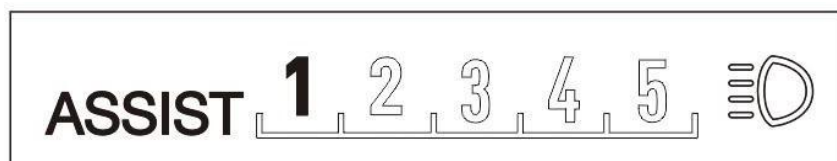
4.1 Power On/Off

Press and hold **Power** button for 2 second can turn on/off the display. The Display can automatically shut down when there is no operate & ride for X minutes (X could be 0~9) .



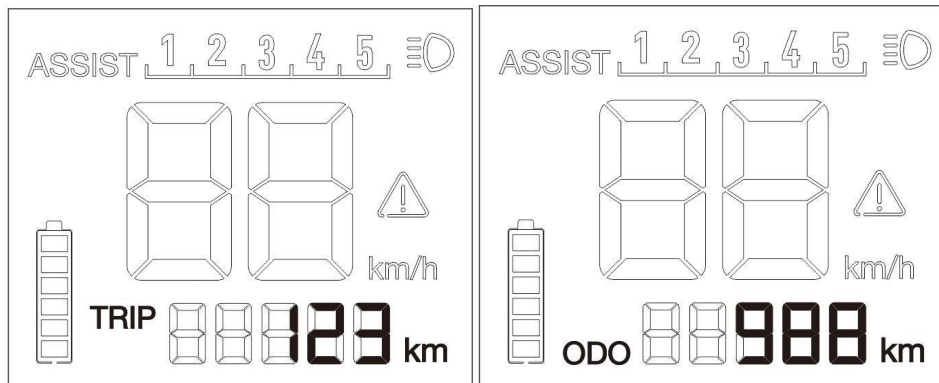
4.2 PAS operating:

Short press **UP/DOWN** button can change the PAS level. Top PAS level is 5, Level quantities can be adjusted according to the customer requirements.



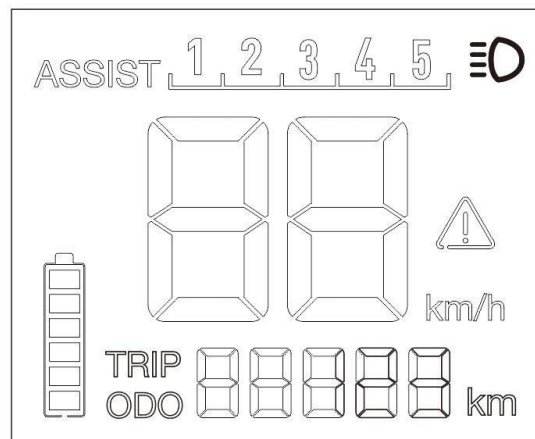
4.3 Speed mode switch& Mileage mode switch

Short press **POWER** button can change the speed mode& the mileage mode, Trip->ODO



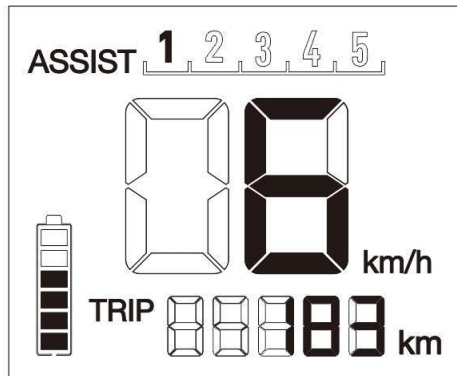
4.4 Headlight/backlight On/Off

Press and hold **UP** button for 1.5 second can turn on/off the headlight/backlight.



4.5 6km walk

Press and hold **DOWN** button for 3 seconds can get into walk mode, out of the mode when release the button.



4.6 Data cleanup

Press and hold **UP** & **DOWN** buttons together for 2 second can reset several temporary data, temporary data include **Trip**

5.Parameter setting

Double press **POWER** button (press interval less than 0.3 second) can get into parameter setting state, the parameter twinkles. Short press **UP/DOWN** buttons to change the parameter value, short press **POWER** button can switch to the next parameter. Double press **POWER** button (press interval less than 0.3 second) can quit from the parameter setting state.

5.1 Backlight brightness : The location of speed displays

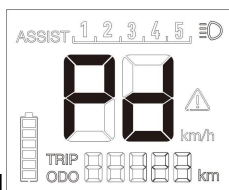
symbol press **UP/DOWN** button display symbol **1~5** to change the brightness of the backlight

5.2 Auto off time : 0-60 minute, If set to 0, Don't turn it off.

5.3 Wheel diameter:The location of speed displays

symbol press **UP/DOWN** button rotate display the symbol value represents the diameter of the wheel (inch) 10-35inch.

5.4 Password/Speed limit set : The location of speeds displays



symbol



require to input

passwords, press **UP/DOWN** buttons to change the password value (0~9), short press **POWER** button to switch the password item, password is 4 digits, the default password is "1009 or 0579". Press **POWER** button when password adjustment is completed.



5.5 Speed limit set :

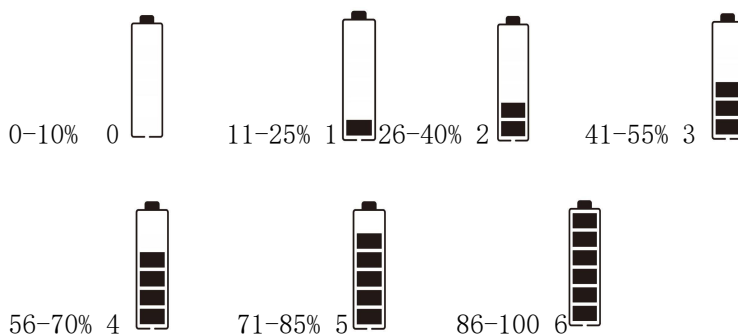
The location of speed displays symbol **SPL**, the location of mileage displays speed limit value, the default value is **25km/h**. Press **UP/DOWN** buttons to modify the value, the value can be set from 10 to 45km/h. Press **POWER** button to confirm when you finish the adjustment.



5.6 Speed sensor NO.:

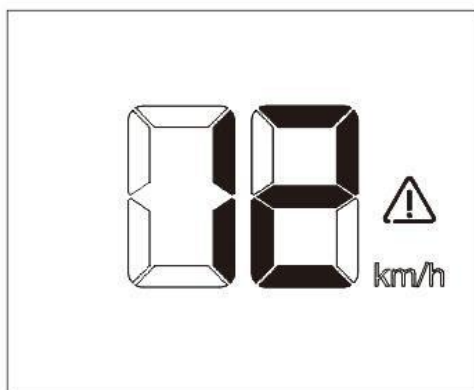
sensor NO. 1-6 .

6. The battery power display:



7 Error Code define

The display can give warning message when E-bike exist error, the definition see the table below.



Error code	Definition
0x01	Communication Error
0x03	Brake error
0x04	Throttle error
0x06	Low voltage protection
0x07	Over voltage protection
0x08	Hall sensor abnormality
0x09	Phase line abnormality
0x10	Controller overheat
0x11	Controller pas Error
0x12	Current sensor abnormality
0x13	Battery overheat Error
0x14	Motor overheat Error
0x21	Speed sensor Error
0x22	Communication abnormality in BMS