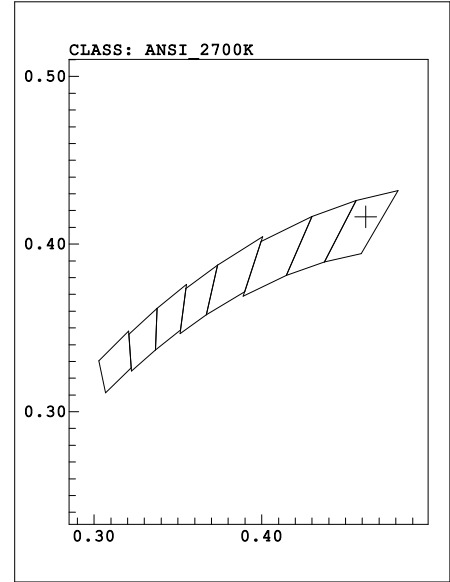
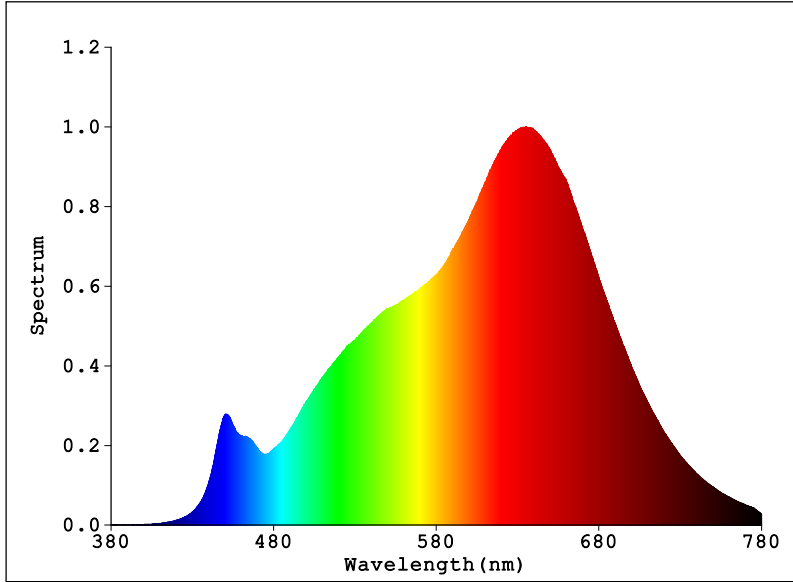


Spectrum Test Report



Color Parameters:

Chromaticity Coordinate: $x=0.4620$ $y=0.4162$ / $u'=0.2613$ $v'=0.5298$ $duv=1.892e-003$
 Tc=2714K Dominant WL:Ld=583.5nm Purity=63.6%
 Ratio:R=28.6% G=69.1% B=2.3% Peak WL:Lp=635.2nm HWL:152.5nm
 Render Index:Ra=98.2 AvgR=96.8 CRI=96.7 Kred=19.67%
 R1 =99 R2 =99 R3 =96 R4 =98 R5 =99 R6 =99 R7 =99
 R8 =97 R9 =90 R10=97 R11=96 R12=89 R13=99 R14=97 R15=98

Photo Parameters:

Flux = 47.06 lm Eff. : 101.45 lm/W Fe = 177.6 mW

Electrical parameters:

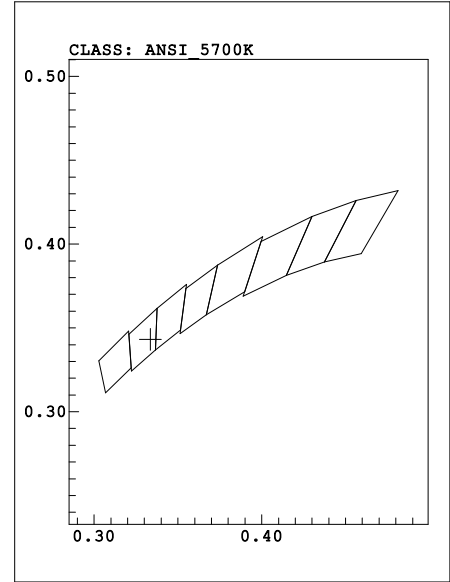
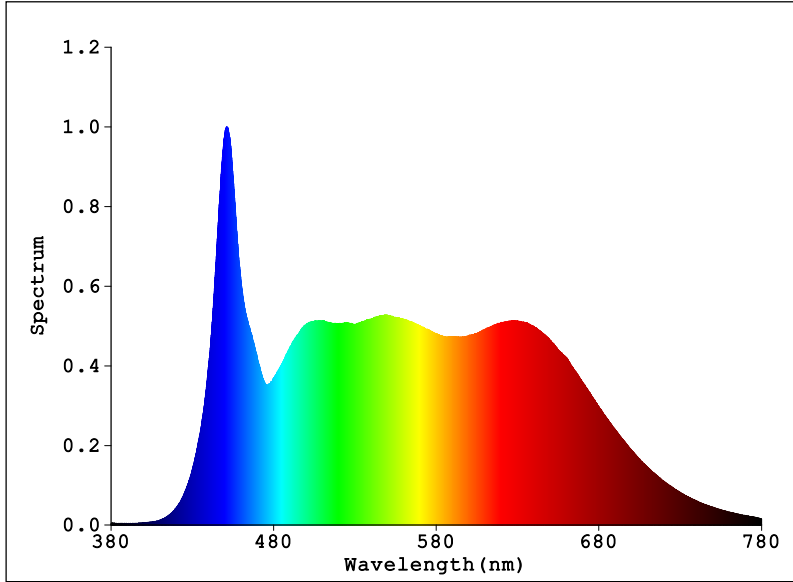
VF = 3.095 V IF = 149.9 mA P = 463.9 mW Ch1
 LEVEL:529 WHITE:ANSI_2700K

Status: T=52.00ms Ip=51543 (79%) [PHAD=94] [HAAS2000_V1_USB] V2.00.167

Model:样品1#
 Tester:DAMIN
 Temperature:25.3Deg
 Manufactory:EVERFINE
 Assessor:damin
 System:WY + HAAS2000_V1_USB

Number:3
 Date:2018-08-29
 Humidity:65.0%
 Remarks:---

Spectrum Test Report



Color Parameters:

Chromaticity Coordinate: $x=0.3336$ $y=0.3432$ $u'=0.2068$ $v'=0.4788$ $duv=5.921e-004$
 Tc=5450K Dominant WL:Ld=555.6nm Purity=3.1%
 Ratio:R=18.4% G=75.9% B=5.7% Peak WL:Lp=451.1nm HWL:22.8nm
 Render Index:Ra=98.2 AvgR=96.7 CRI=96.7 Kred=12.10%
 R1 =98 R2 =99 R3 =97 R4 =99 R5 =98 R6 =96 R7 =99
 R8 =99 R9 =96 R10=98 R11=96 R12=80 R13=99 R14=98 R15=97

Photo Parameters:

Flux = 56.10 lm Eff. : 120.82 lm/W Fe = 206.9 mW

Electrical parameters:

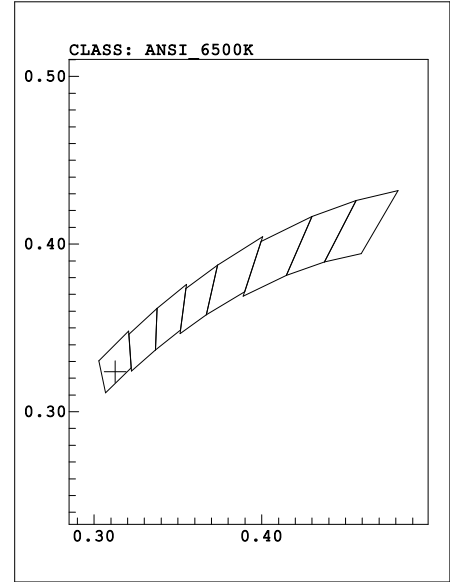
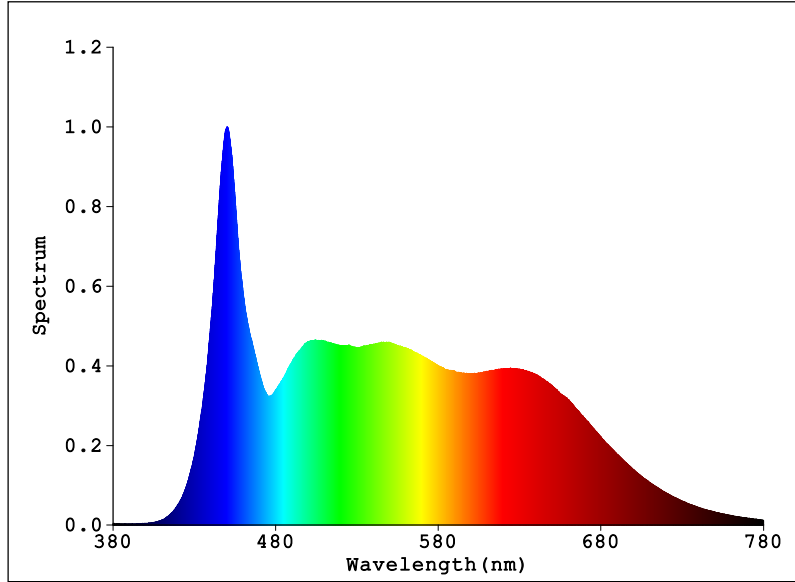
VF = 3.097 V IF = 149.9 mA P = 464.3 mW Ch1
 LEVEL:519 WHITE:ANSI_5700K

Status: T=771.00ms Ip=50691 (77%) [PHAD=97] [HAAS2000_V1_USB] V2.00.167

Model:
 Tester:DAMIN
 Temperature:25.3Deg
 Manufactory:BIT
 Assessor:damin
 System:WY + HAAS2000_V1_USB

Number:122
 Date:2018-10-29
 Humidity:65.0%
 Remarks:暖白4#

Spectrum Test Report



Color Parameters:

Chromaticity Coordinate: $x=0.3125$ $y=0.3240$ $u'=0.1996$ $v'=0.4656$ $duv=6.735e-004$
 Tc=6554K Dominant WL:Ld=485.7nm Purity=7.8%
 Ratio:R=16.8% G=77.0% B=6.3% Peak WL:Lp=450.2nm HWL:23.0nm
 Render Index:Ra=97.6 AvgR=96.1 CRI=96.0 Kred=10.90%
 R1 =98 R2 =98 R3 =95 R4 =98 R5 =98 R6 =94 R7 =99
 R8 =99 R9 =98 R10=95 R11=96 R12=78 R13=99 R14=97 R15=98

Photo Parameters:

Flux = 54.20 lm Eff. : 117.25 lm/W Fe = 202.6 mW

Electrical parameters:

VF = 3.083 V IF = 149.9 mA P = 462.2 mW Ch1
 LEVEL:519 WHITE:ANSI_6500K

Status: T=65.00ms Ip=47898 (73%) [PHAD=94] [HAAS2000_V1_USB] V2.00.167

Model:样品1#
 Tester:DAMIN
 Temperature:25.3Deg
 Manufactory:EVERFINE
 Assessor:damin
 System:WY + HAAS2000_V1_USB

Number:40
 Date:2018-08-29
 Humidity:65.0%
 Remarks:---