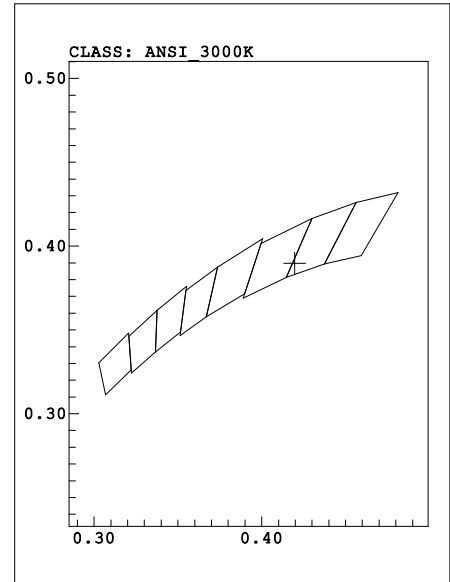
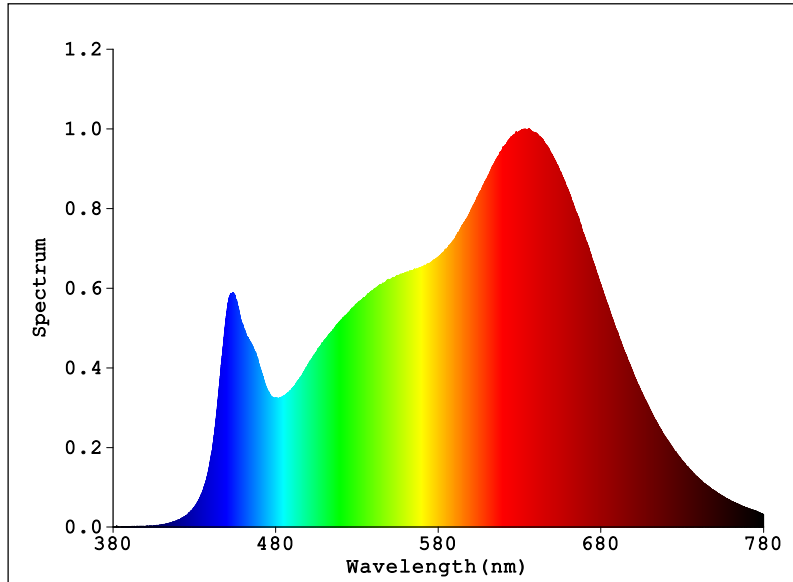


Spectrum Test Report**Color Parameters:**

Chromaticity Coordinate: $x=0.4197$ $y=0.3898$ / $u'=0.2455$ $v'=0.5130$ $duv=-3.235e-003$

Tc=3193K Dominant WL:Ld=583.4nm Purity=43.0%

Ratio:R=26.0% G=70.6% B=3.4% Peak WL:Lp=635.5nm HWL:172.8nm

Render Index:Ra=96.5 AvgR=95.2 CRI=95.2 Kred=17.73%

R1 =95 R2 =97 R3 =98 R4 =97 R5 =96 R6 =94 R7 =98

R8 =97 R9 =94 R10=95 R11=95 R12=83 R13=95 R14=98 R15=95

Photo Parameters:

Flux = 18.85 lm Eff. : 106.04 lm/W Fe = 70.95 mW

Electrical parameters:

VF = 2.968 V IF = 59.90 mA P = 177.8 mW Ch1

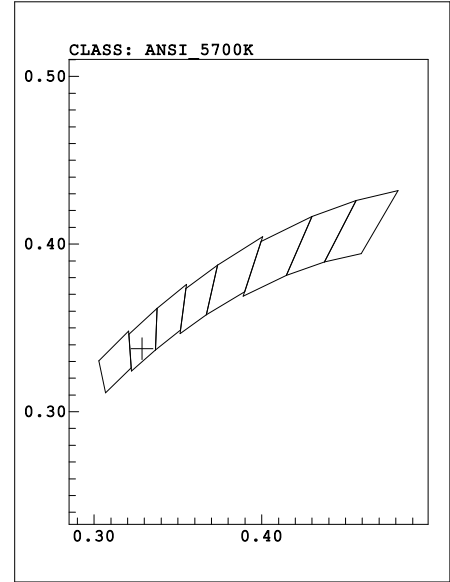
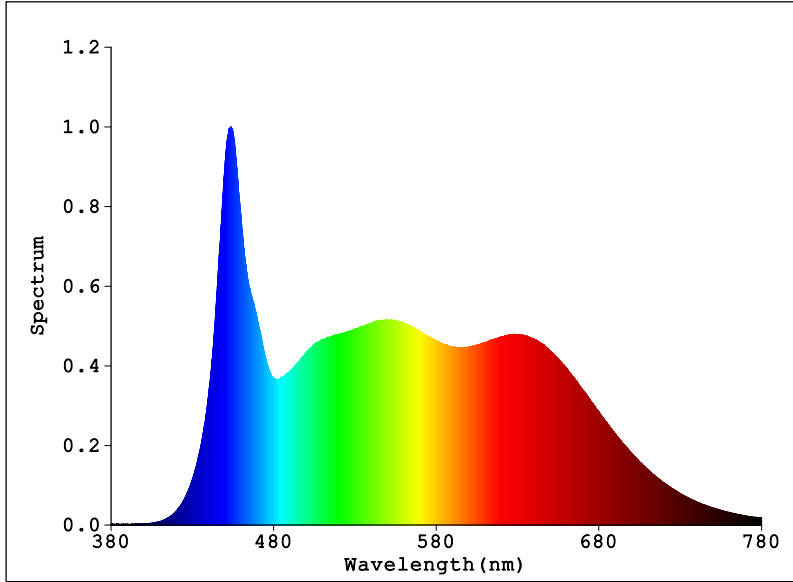
LEVEL:428 WHITE:ANSI_3000K

Status: T=144.00ms Ip=52450 (80%) [PHAD=95] [HAAS2000_V1_USB] V2.00.167

Model:
Tester:DAMIN
Temperature:25.3Deg
Manufactory:BIT
Assessor:damin
System:WY + HAAS2000_V1_USB

Number:247
Date:2017-09-01
Humidity:65.0%
Remarks:暖白4#

Spectrum Test Report



Color Parameters:

Chromaticity Coordinate: $x=0.3286$ $y=0.3376$ / $u'=0.2056$ $v'=0.4752$ $duv=-5.986e-005$
 Tc=5676K Dominant WL:Ld=503.7nm Purity=1.4%
 Ratio:R=18.0% G=76.2% B=5.8% Peak WL:Lp=453.6nm HWL:26.9nm
 Render Index:Ra=97.1 AvgR=95.5 CRI=95.5 Kred=11.80%
 R1 =98 R2 =99 R3 =96 R4 =97 R5 =96 R6 =95 R7 =98
 R8 =98 R9 =96 R10=97 R11=98 R12=74 R13=99 R14=98 R15=96

Photo Parameters:

Flux = 20.46 lm Eff. : 114.55 lm/W Fe = 75.76 mW

Electrical parameters:

VF = 2.983 V IF = 59.90 mA P = 178.6 mW Ch1
 LEVEL:418 WHITE:ANSI_5700K

Status: T=186.00ms Ip=49591 (76%) [PHAD=95] [HAAS2000_V1_USB] V2.00.167

Model:
 Tester:DAMIN
 Temperature:25.3Deg
 Manufactory:BIT
 Assessor:damin
 System:WY + HAAS2000_V1_USB

Number:189
 Date:2017-09-01
 Humidity:65.0%
 Remarks:暖白4#