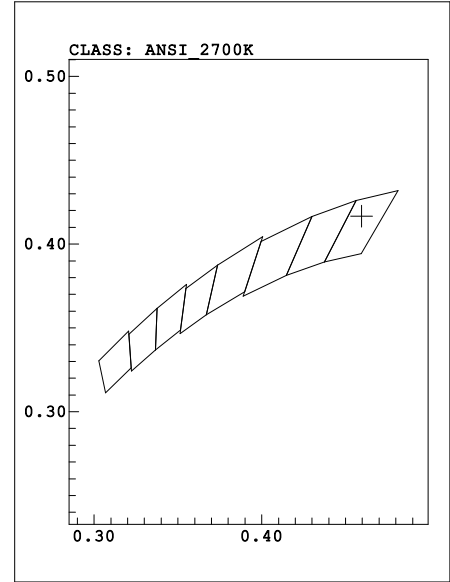
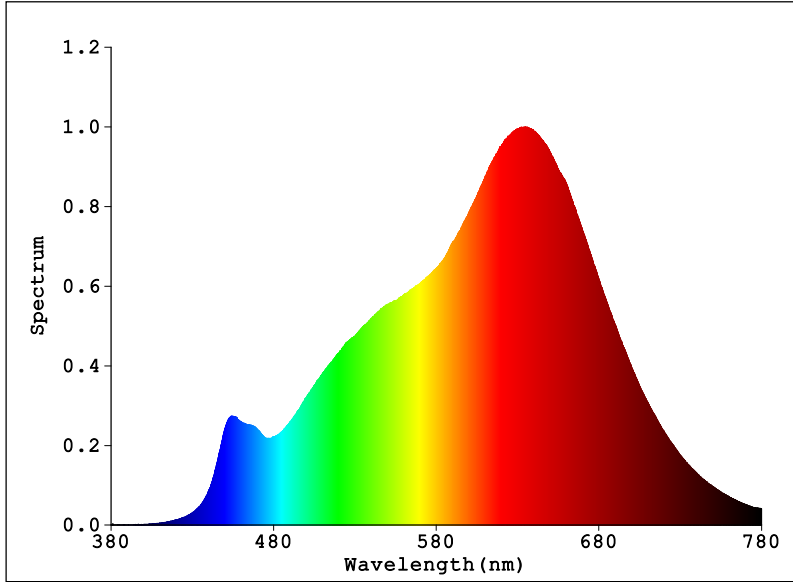


**Spectrum Test Report**



**Color Parameters:**

Chromaticity Coordinate:  $x=0.4596$   $y=0.4167$  /  $u'=0.2596$   $v'=0.5296$   $duv=2.280e-003$   
 Tc=2751K Dominant WL:Ld=583.2nm Purity=63.1%  
 Ratio:R=28.3% G=69.3% B=2.4% Peak WL:Lp=634.6nm HWL:155.0nm  
 Render Index:Ra=97.9 AvgR=96.5 CRI=96.4 Kred=19.35%  
 R1 =99 R2 =99 R3 =97 R4 =98 R5 =99 R6 =98 R7 =97  
 R8 =95 R9 =89 R10=98 R11=97 R12=87 R13=99 R14=97 R15=97

**Photo Parameters:**

Flux = 92.58 lm Eff. : 98.60 lm/W Fe = 346.9 mW

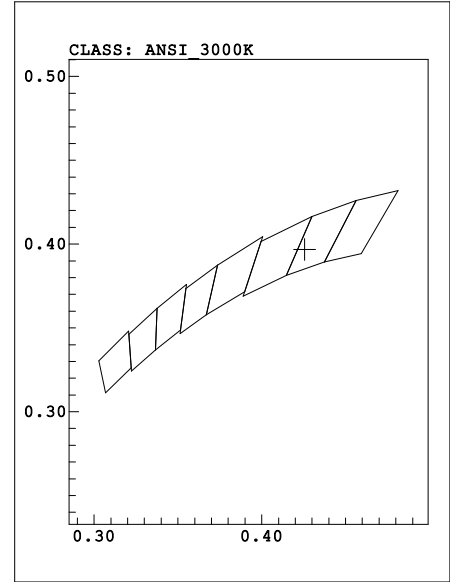
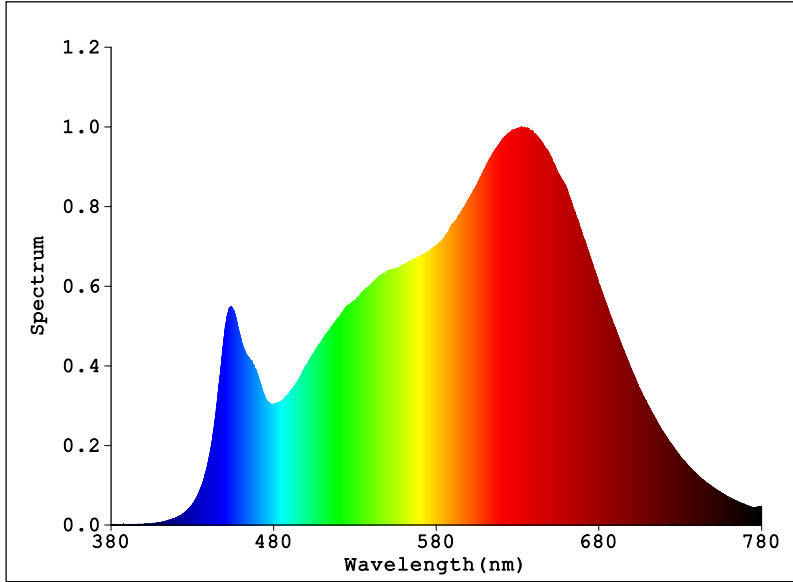
**Electrical parameters:**

VF = 3.132 V IF = 299.8 mA P = 939.0 mW Ch1  
 LEVEL:529 WHITE:ANSI\_2700K

Status: T=28.00ms Ip=53470 (82%) [PHAD=98] [ HAAS2000\_V1\_USB ] V2.00.167

Model:	Number:195
Tester:	Date:2018-12-04
Temperature:Deg	Humidity:%
Manufactory:	Remarks:
Assessor:damin	
System:WY + HAAS2000_V1_USB	

**Spectrum Test Report**



**Color Parameters:**

Chromaticity Coordinate:  $x=0.4255$   $y=0.3968$  /  $u'=0.2463$   $v'=0.5168$   $duv=-1.248e-003$   
 Tc=3142K Dominant WL:Ld=582.7nm Purity=46.8%  
 Ratio:R=25.9% G=71.0% B=3.2% Peak WL:Lp=632.4nm HWL:172.9nm  
 Render Index:Ra=97.9 AvgR=96.9 CRI=96.8 Kred=17.54%  
 R1 =98 R2 =99 R3 =98 R4 =99 R5 =98 R6 =97 R7 =97  
 R8 =97 R9 =95 R10=99 R11=97 R12=83 R13=98 R14=98 R15=98

**Photo Parameters:**

Flux = 96.08 lm Eff. : 100.50 lm/W Fe = 356.3 mW

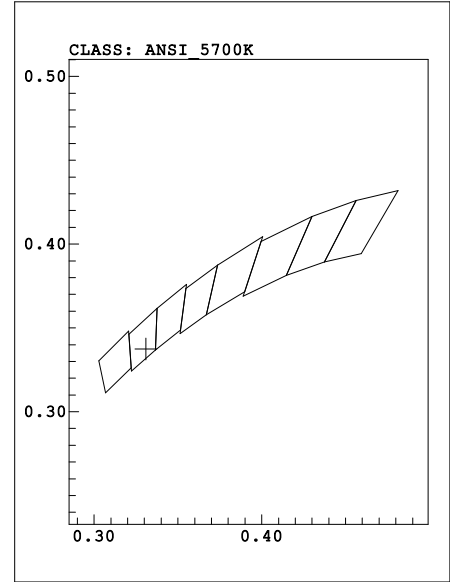
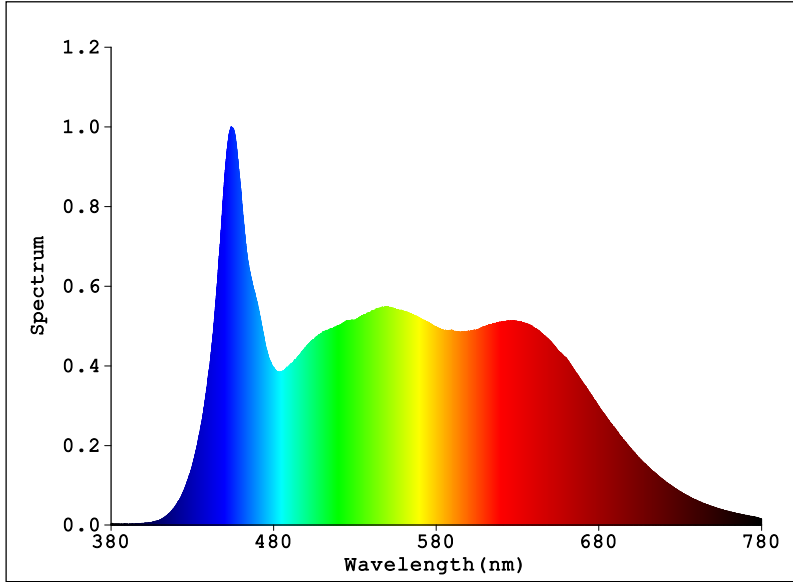
**Electrical parameters:**

VF = 3.189 V IF = 299.8 mA P = 956.0 mW Ch1  
 LEVEL:529 WHITE:ANSI\_3000K

Status: T=28.00ms Ip=50039 (76%) [PHAD=98] [ HAAS2000\_V1\_USB ] V2.00.167

Model:	Number:164
Tester:	Date:2018-12-04
Temperature:Deg	Humidity:%
Manufactory:	Remarks:
Assessor:damin	
System:WY + HAAS2000_V1_USB	

**Spectrum Test Report**



**Color Parameters:**

Chromaticity Coordinate:  $x=0.3309$   $y=0.3375$   $u'=0.2072$   $v'=0.4755$   $duv=-1.131e-003$   
 Tc=5570K Dominant WL:Ld=516.2nm Purity=0.9%  
 Ratio:R=18.2% G=76.0% B=5.8% Peak WL:Lp=453.9nm HWL:29.3nm  
 Render Index:Ra=97.0 AvgR=95.7 CRI=95.7 Kred=11.91%  
 R1 =97 R2 =99 R3 =96 R4 =98 R5 =96 R6 =94 R7 =98  
 R8 =98 R9 =97 R10=97 R11=97 R12=75 R13=99 R14=98 R15=96

**Photo Parameters:**

Flux = 107.2 lm Eff. : 115.55 lm/W Fe = 396.2 mW

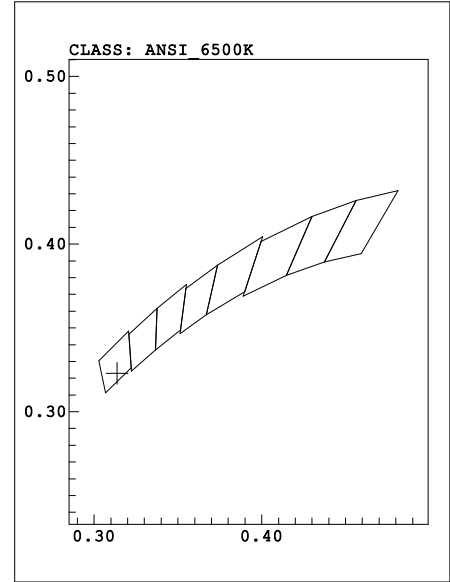
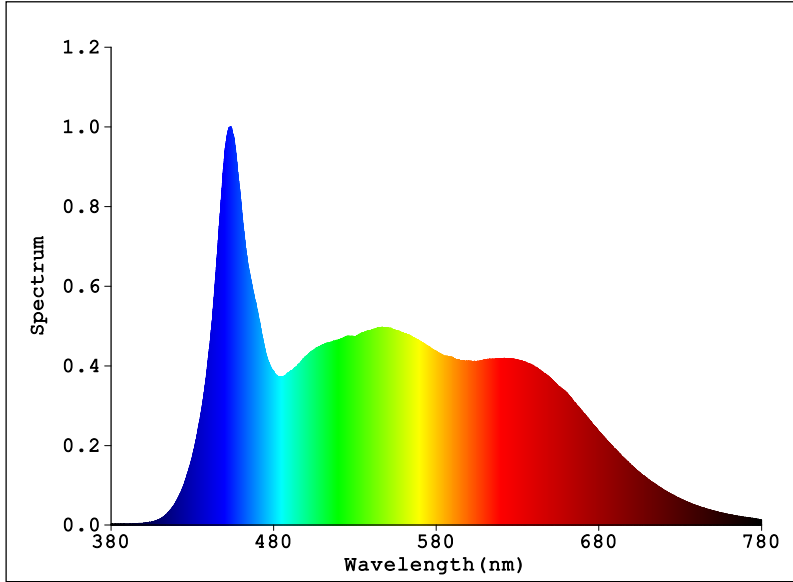
**Electrical parameters:**

VF = 3.094 V IF = 299.8 mA P = 927.8 mW Ch1  
 LEVEL:51\* WHITE:ANSI\_5700K

Status: T=37.00ms Ip=50174 (77%) [PHAD=98] [ HAAS2000\_V1\_USB ] V2.00.167

Model:	Number:283
Tester:	Date:2018-12-04
Temperature:Deg	Humidity:%
Manufactory:	Remarks:
Assessor:damin	
System:WY + HAAS2000_V1_USB	

**Spectrum Test Report**



**Color Parameters:**

Chromaticity Coordinate:  $x=0.3136$   $y=0.3229$   $u'=0.2008$   $v'=0.4652$   $duv=-4.130e-004$   
 Tc=6503K Dominant WL:Ld=484.6nm Purity=7.5%  
 Ratio:R=16.8% G=76.8% B=6.3% Peak WL:Lp=453.7nm HWL:29.8nm  
 Render Index:Ra=96.5 AvgR=95.1 CRI=95.0 Kred=10.87%  
 R1 =97 R2 =98 R3 =95 R4 =97 R5 =96 R6 =93 R7 =98  
 R8 =98 R9 =98 R10=95 R11=97 R12=73 R13=99 R14=97 R15=96

**Photo Parameters:**

Flux = 107.8 lm Eff. : 114.92 lm/W Fe = 402.4 mW

**Electrical parameters:**

VF = 3.131 V IF = 299.8 mA P = 938.8 mW Ch1  
 LEVEL:51\* WHITE:ANSI\_6500K

Status: T=35.00ms Ip=49442 (75%) [PHAD=99] [ HAAS2000\_V1\_USB ] V2.00.167

Model:  
 Tester:  
 Temperature:Deg  
 Manufactory:  
 Assessor:damin  
 System:WY + HAAS2000\_V1\_USB

Number:147  
 Date:2018-12-04  
 Humidity:%  
 Remarks: