

Verbindungselement für SMD-Leiterplattenklemmen mit Betätigungsdrückern; 2-pole; Pin spacing 4 mm / 0.157 in

Item No.: 2060-902



Verbindungselement für SMD-Leiterplattenklemmen mit Betätigungsdrückern; 2-pole; Pin spacing 4 mm / 0.157 in

Marking

RoHS ✓
Compliant

Business data

Supplier	WAGO
Item no.	2060-902
EAN	4050821460688
Content	1
Order amount	500
Customer item number	

Notes

Technical data

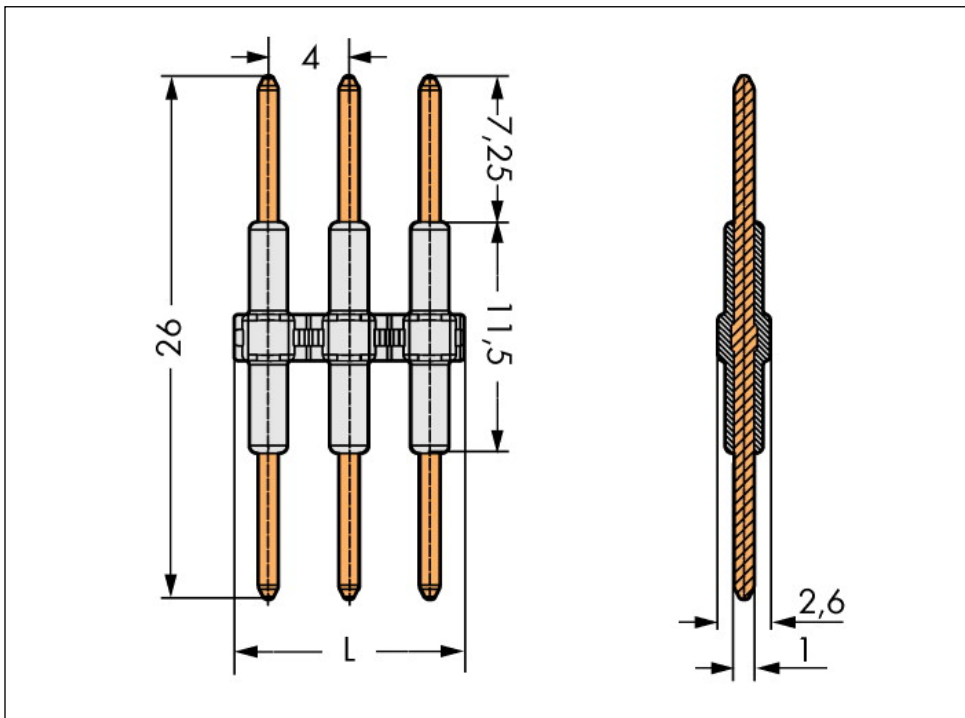
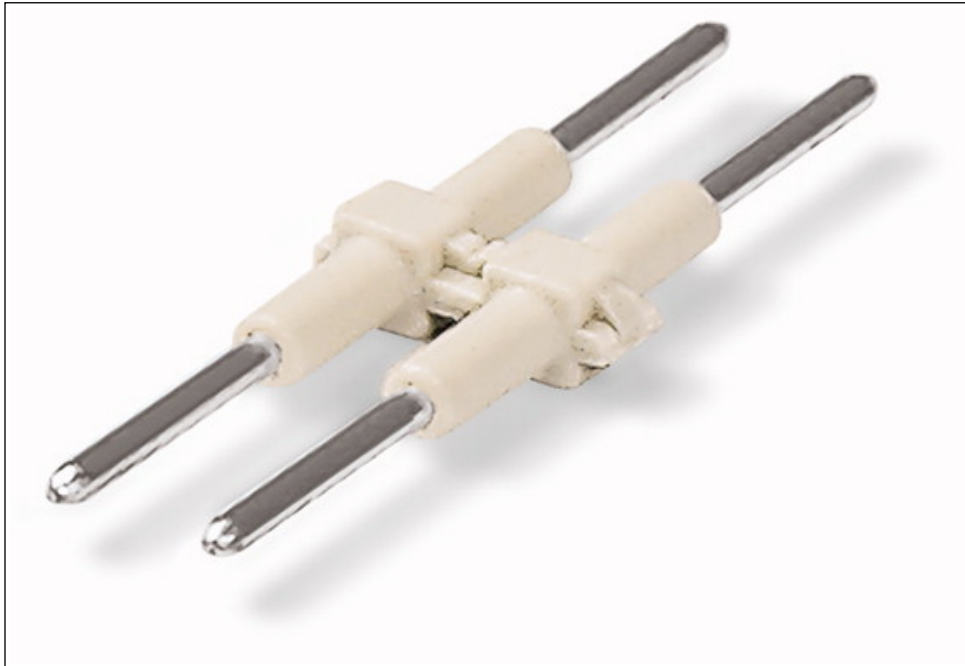
Miscellaneous

Overvoltage category EN 1	III
Pollution degree (1)	2
Rated voltage EN (1) [V]	160 [V]
Rated surge voltage (1) [kV]	2.5 [kV]
Nominal current [A]	9 [A]
Overvoltage category EN 2	II
Degree of pollution (2)	2
Rated voltage EN (2) [V]	320 [V]
Bemessungsstossspannung (2) [kV]	2.5 [kV]

Technical data	
Nominal current (2) [A]	9 [A]
Overvoltage category EN 3	III
Degree of pollution (3)	3
Rated voltage EN (3) [V]	63 [V]
Rated surge voltage (3) [kV]	2.5 [kV]
Nominal current (3) [A]	9 [A]
Material group	I
Insulating material	Polyamide 6.6 (PA 6.6)
Lower limit temperature [C]	-60 [C]
Upper temperature limit [C]	105 [C]
Contact plating	Silver-plated
Fire load [MJ]	0.002 [MJ]
Weight [g]	0.457 [g]
Width [mm]	7.6 [mm]
Width [in]	0.299 [in]
Height [mm]	26 [mm]
Height [in]	1.024 [in]
Length [mm]	2.6 [mm]
Length [in]	0.102 [in]

Approbation					
Item No.	Registration	Registration no.	Voltage [V]	Current [A]	Cross section [mm ² , AWG]
2060-902	UL	E45171	250	9	

Images & drawings



Address

WAGO Kontakttechnik GmbH & Co. KG

Hansastr. 27

32423 Minden

Telefon: 0571/887-0

Fax: 0571/887-169

<http://www.wago.com>

© WAGO Kontakttechnik GmbH & Co. KG

Technische Änderungen und Irrtümer vorbehalten.