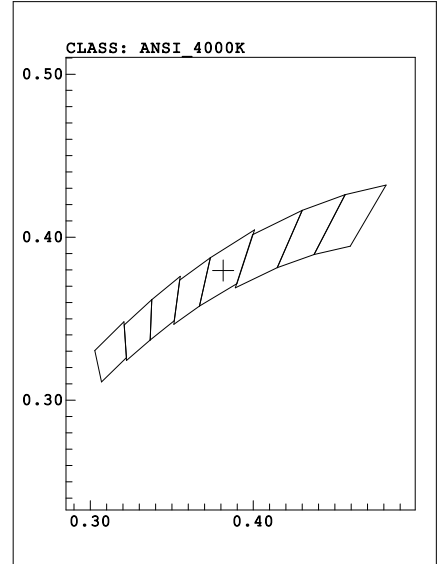
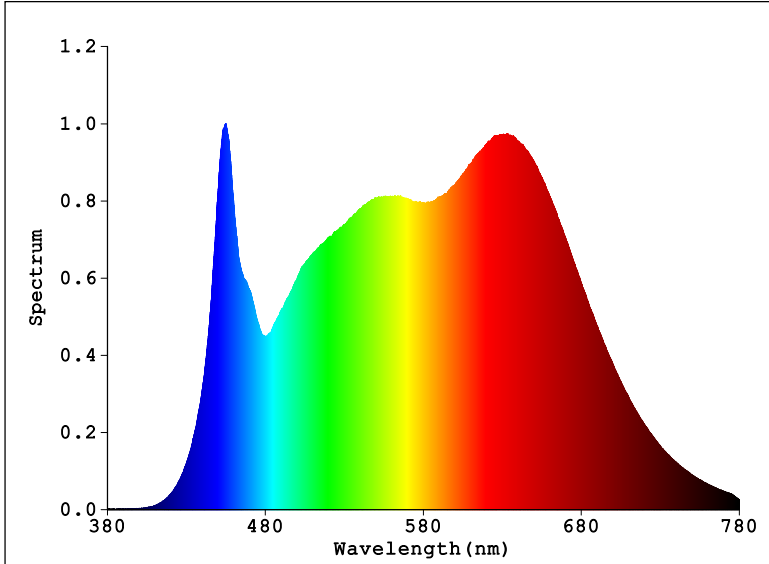


Spectrum Test Report



Color Parameters:

Chromaticity Coordinate: $x=0.3814$ $y=0.3796$ $u'=0.2246$ $v'=0.5030$ $duv=1.064e-003$
 Tc=3996K Dominant WL:Ld=578.5nm Purity=28.4%
 Ratio:R=21.8% G=74.1% B=4.2% Peak WL:Lp=454.9nm HWL:29.3nm
 Render Index:Ra=97.8 AvgR=96.4 CRI=96.4 Kred=14.55%
 R1 =99 R2 =100 R3 =97 R4 =98 R5 =97 R6 =97 R7 =98
 R8 =97 R9 =98 R10=97 R11=99 R12=76 R13=99 R14=98 R15=97

Photo Parameters:

Flux = 54.62 lm Eff. : 116.63 lm/W Fe = 197.7 mW

Electrical parameters:

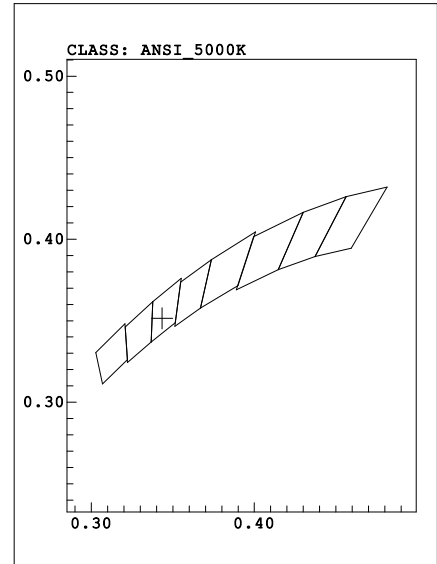
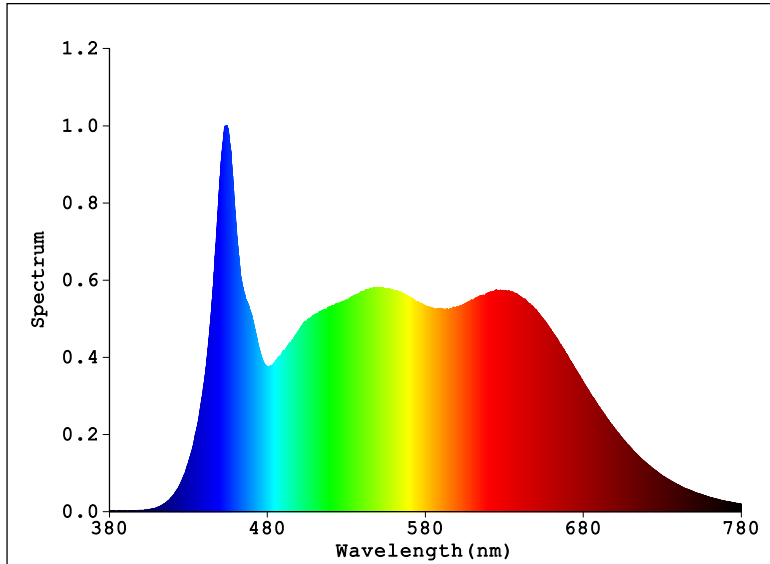
VF = 3.124 V IF = 149.9 mA P = 468.3 mW Ch1
 LEVEL:519 WHITE:ANSI_4000K

Status: T=68.00ms Ip=55434 (85%) [PHAD=102] [HAAS2000_V1_USB] V2.00.167

Model:
 Tester:
 Temperature:Deg
 Manufactory:
 Assessor:damin
 System:WY + HAAS2000_V1_USB

Number:8000
 Date:2020-12-27
 Humidity:%
 Remarks:

Spectrum Test Report



Color Parameters:

Chromaticity Coordinate: $x=0.3433$ $y=0.3515$ / $u'=0.2103$ $v'=0.4844$ $duv=6.711e-004$
 Tc=5067K Dominant WL:Ld=571.0nm Purity=8.5%
 Ratio:R=18.9% G=75.8% B=5.3% Peak WL:Lp=454.2nm HWL:26.3nm
 Render Index:Ra=97.3 AvgR=95.9 CRI=95.7 Kred=12.43%
 R1 =98 R2 =99 R3 =96 R4 =98 R5 =97 R6 =95 R7 =98
 R8 =98 R9 =97 R10=96 R11=97 R12=76 R13=99 R14=98 R15=98

Photo Parameters:

Flux = 57.35 lm Eff. : 122.81 lm/W Fe = 208.6 mW

Electrical parameters:

VF = 3.115 V IF = 149.9 mA P = 467.0 mW Ch1
 LEVEL:519 WHITE:ANSI_5000K

Status: T=68.00ms Ip=49491 (76%) [PHAD=102] [HAAS2000_V1_USB] V2.00.167

Model:
 Tester:
 Temperature:Deg
 Manufactory:
 Assessor:damin
 System:WY + HAAS2000_V1_USB

Number:7987
 Date:2020-12-27
 Humidity:%
 Remarks: