

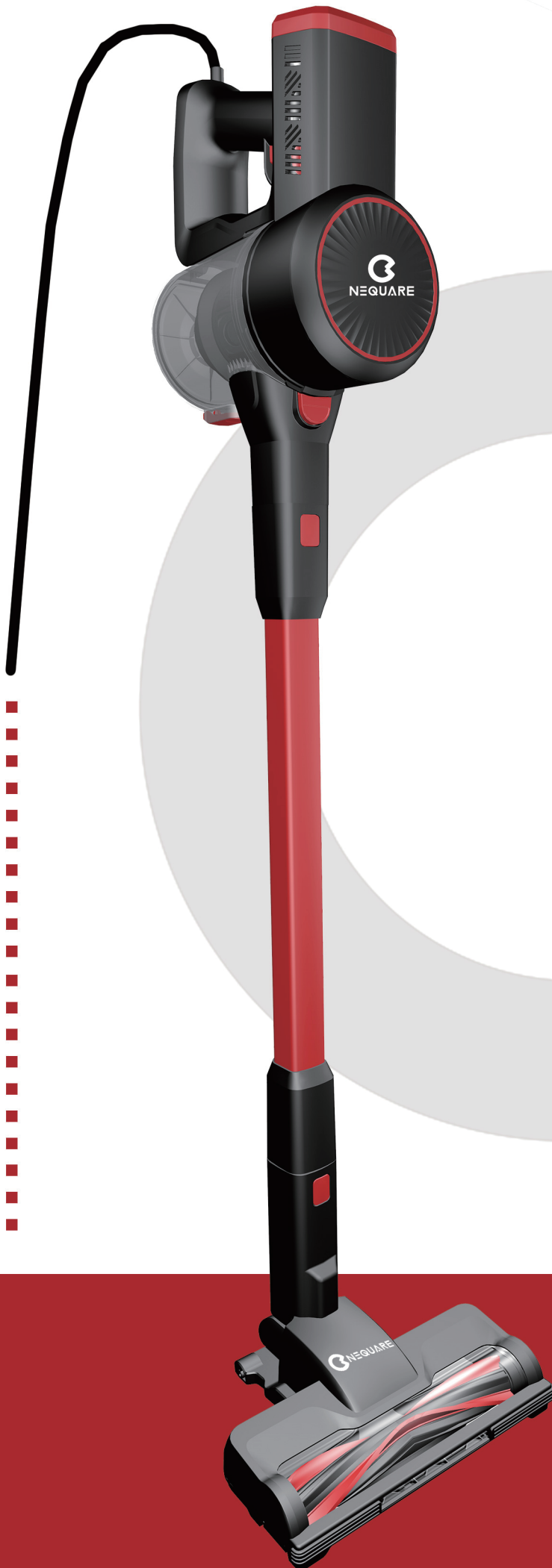


NEQUARE

OPERATING MANUAL

S181

SUPER STRONG SUCTION
VACUUM CLEANER



2 IN 1 FLOOR BRUSH

18 KPA SUPER SUCTION

INDEPENDENTLY SELF-STANDING

ENJOY EVERY MOMENT

Vision: Making users as our product designer; Creating products to meet customer's need

Mission: In pursuit of offering customer feature-rich and inspiring products

Core Value: Open, Honest, Enjoyment

Super User Program:

At NEQUARE, listening to and applying feedback is a critical part of what we do. The criticism and praise we receive from our users goes straight back to our product developers to deliver exciting new improvements. To encourage this, we created the Super User programs. In this program, you'll be invited to test our products, provide us your perspective and help us get it right. Members will get the extra warranty, exclusive discounts, loyalty rewards and other special benefits. Join Super User by emailing us with subject "Super User" at: vip@nequare.com

Warranty Policy:

30 days money back guarantee & 1 year warranty(sending new replacement at free of charge)

(Our warranty does not cover where a defect is the result of accident damage, faults caused by negligent use or care, misuse, neglect, carelessness or operation or handling of the appliance which is not in accordance with the NEQUARE Operating Manual)

After Service:

Our Service Content fully covered:

1. Product Installation
2. Faulty Product
3. Replacement/Return
4. Other Issues

We will do our best to work with you to solve any problem you may have, simply email us by providing your order number, the issue, and some photos or video if need be(for us better understand you concerns) at: support@nequare.com

For any technical support/help, please contact us directly:

Email: support@nequare.com

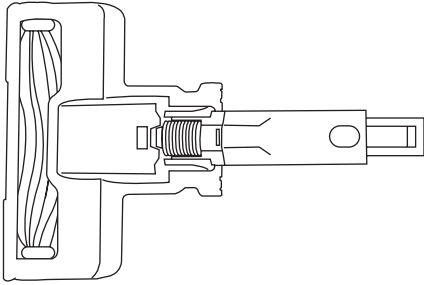
Web: www.nequare.com

Table of Content

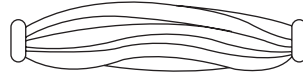
1. Technical Specification	1
2. Appliance Set Up	2
3. Operating Instruction	3
4. Dust Bin Emptying	4
5. Disassemble The Appliance	4-5
6. Filter Maintenance	5
7. Unclog Brush Head	6
8. Safety Instruction	7-12
9. Trouble Shooting	13

1. Technical Specification

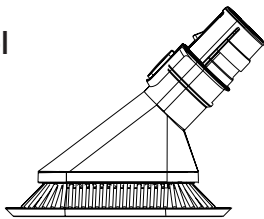
Motorized Brush



2 IN 1 Brush Roller
(Suitable for both bare floor and carpets)

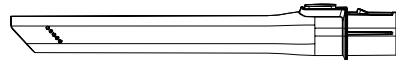


Brush Tool

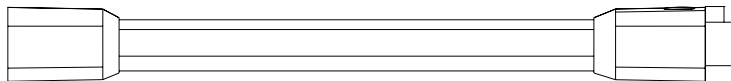


For furniture, curtain, ceiling, etc.

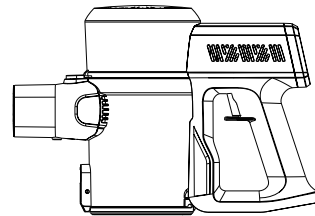
Crevice Nozzle



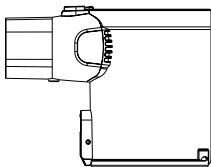
For corner or edge places



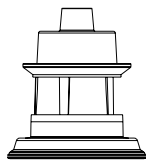
Wand



Vacuum Body



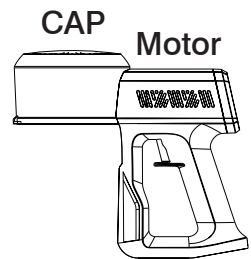
Dust Bin



Pre-Filter



HEPA

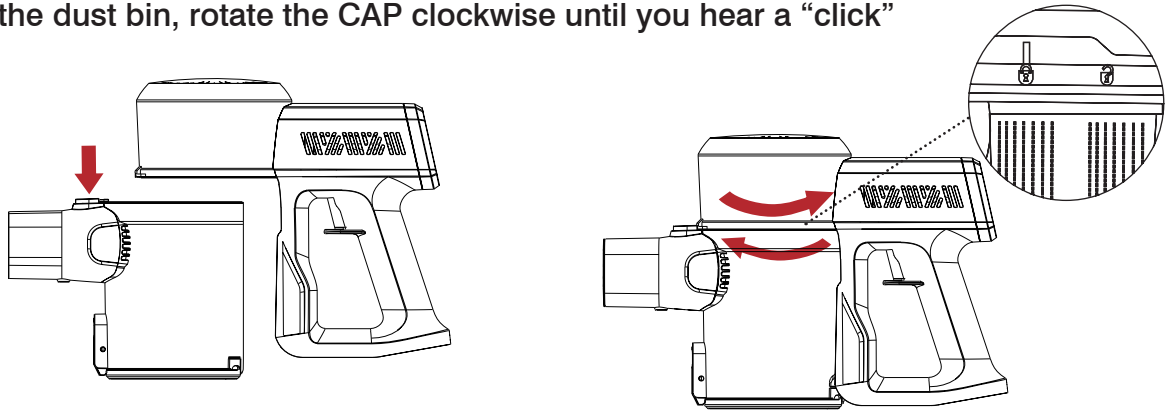


Handle

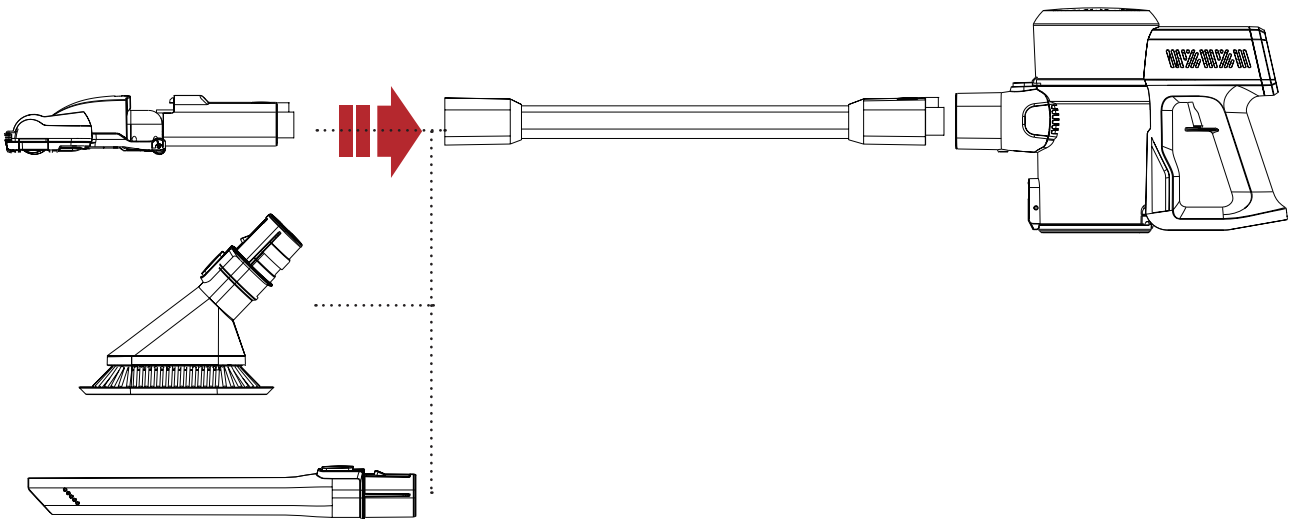
2. Appliance Set Up

Use as stick vacuum cleaner

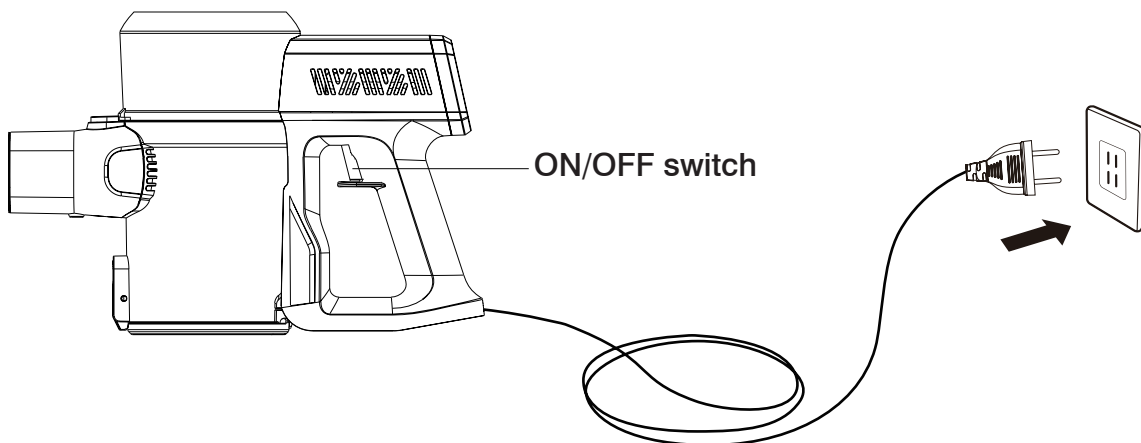
Assemble the handle with dust bin: Align the mark on the CAP with the unlock sign on the dust bin, rotate the CAP clockwise until you hear a “click”



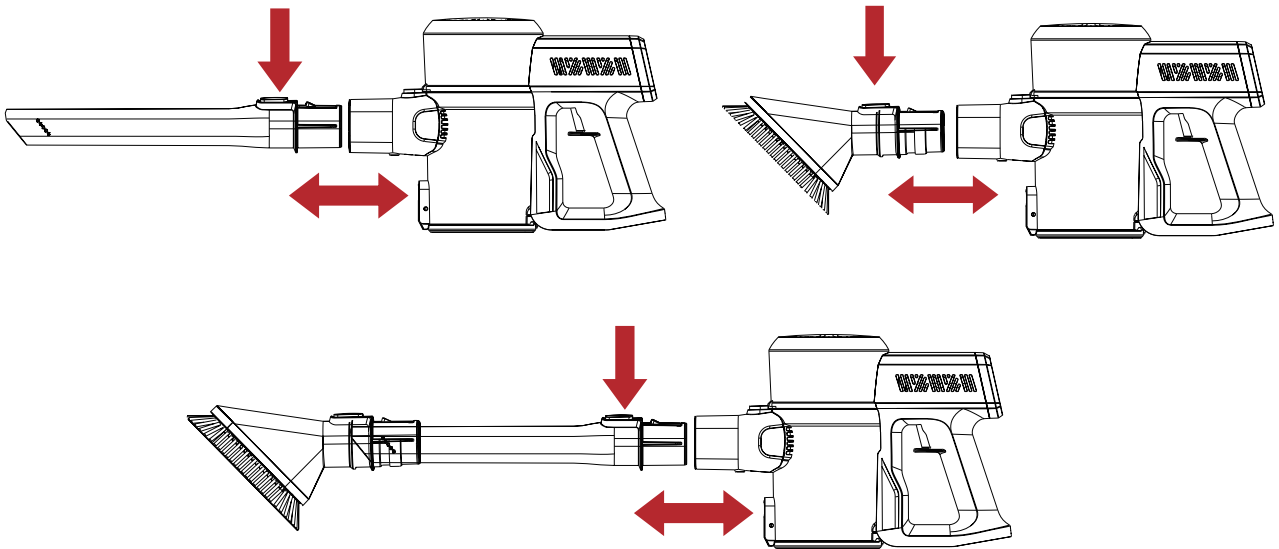
Connect different accessories for different cleaning purposes



Connect to the power and press the switch to start working:



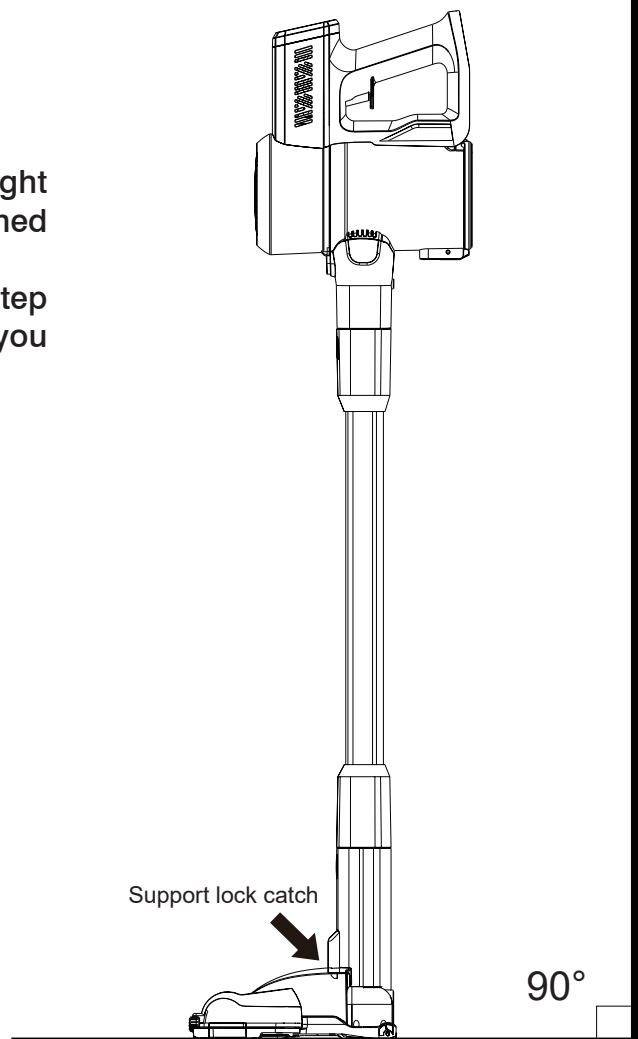
Use as hand vacuum
Insert the accessory to body until you hear a click.



3. Operating Instruction

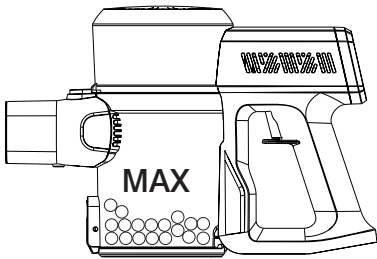
Independent Support Placement:

The vacuum cleaner can be placed upright when the floor brush and wand are positioned perpendicular(90 degrees):
Push(pull back) on the wand/handle and step lightly on the floor brush with your foot(you will hear a “click”).



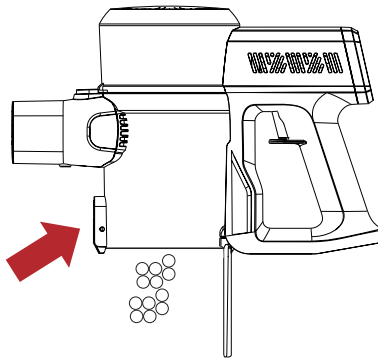
4. Dust Bin Emptying

1



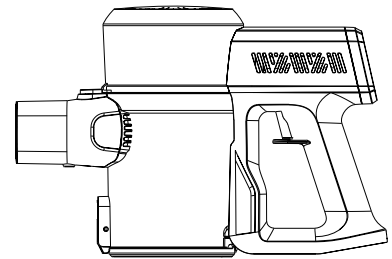
Empty the Dust Bin
(Do not fill dirt over
the MAX mark)

2



Press the Dust Release Latch

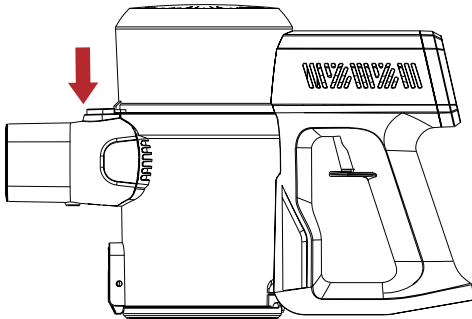
3



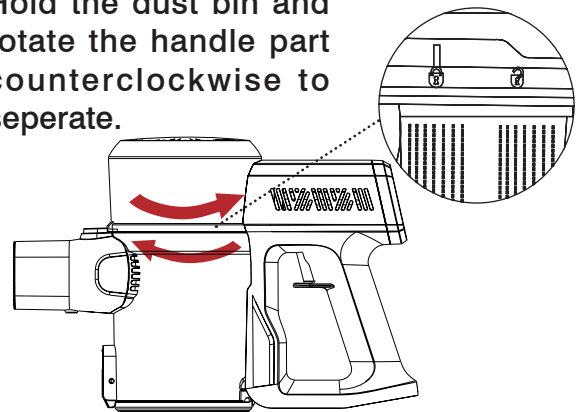
Pour out the dirt

5. Disassemble The Appliance

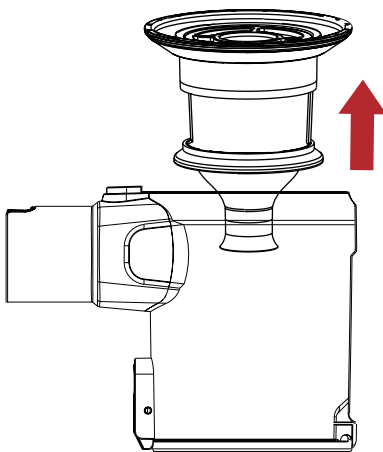
Press the dust bin release button.



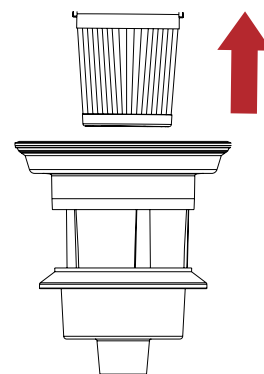
Hold the dust bin and
rotate the handle part
counterclockwise to
separate.



Remove filters



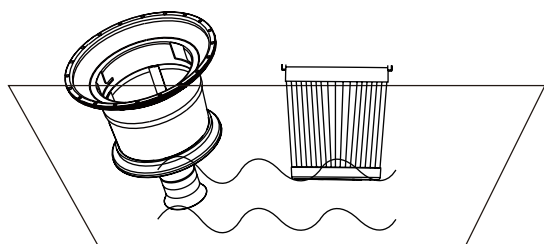
Take out the HEPA filter



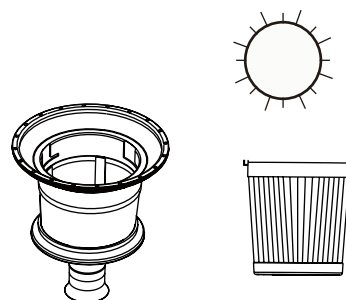
6. Filter Maintenance

NOTE: Wash the filter with cold water every 2 weeks. Ensure the filters are completely dry before refitting. Recommend replacing HEPA filter every 2-4 months (weak suction power is a sign of time to clean/replace HEPA)

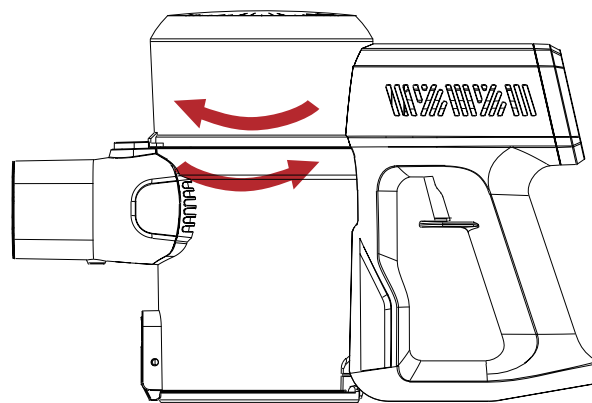
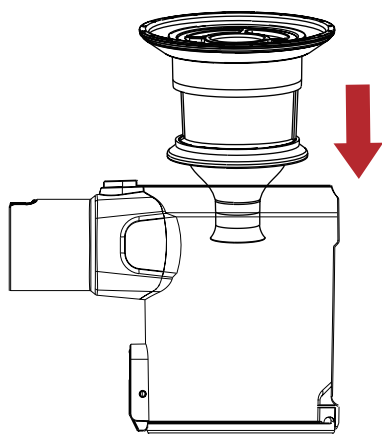
Washing filters



Make sure to air dry the filters completely for at least 24 hrs.



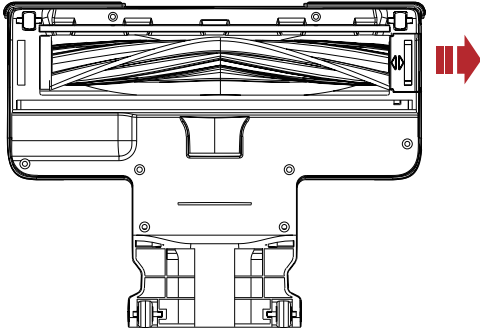
Put the filters back into the dust bin.



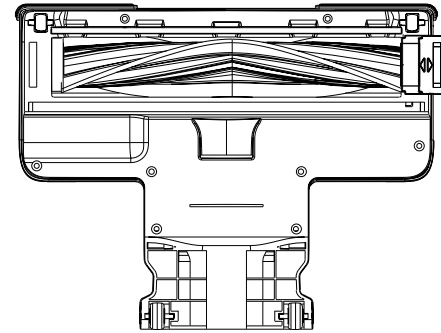
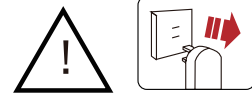
7. Unclog Brush Head

Removal method of brush roller

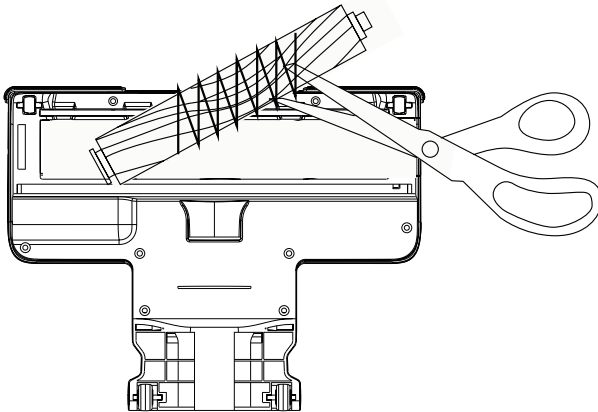
1) Disconnect the power supply and slide the brush lock latch to the right as shown in the figure



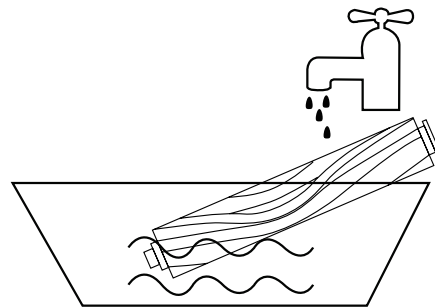
2) Lift the brush lock latch to take out the brush roller



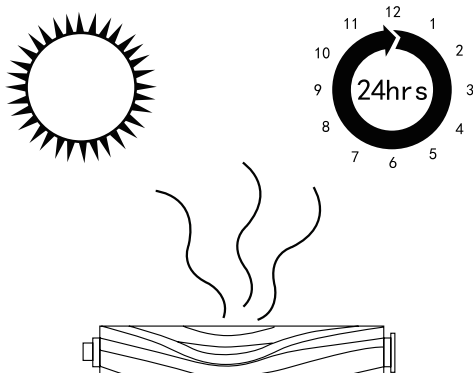
3) Clean off debris and anything wrapped around the brush roller; Use scissors to remove threads and other foreign matters



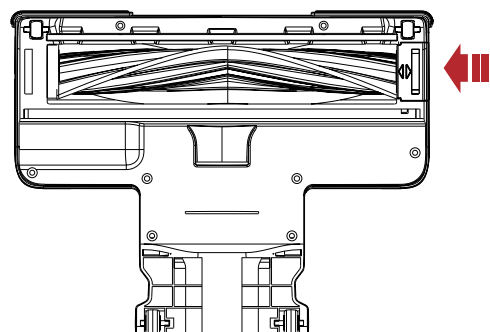
4) Wash the brush roller with water



5) Allow to air dry for 24 hours



6) Install the brush roller back into the floor brush and slide the lock latch to the left until it is locked



8. Safety Instruction

BEFORE USING THIS MACHINE READ ALL INSTRUCTIONS AND CAUTIONARY MARKINGS IN THIS MANUAL

When using an electrical appliance, basic precautions should always be followed, including the following:

WARNING

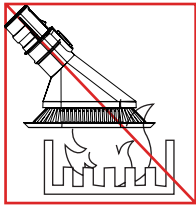
These warnings apply to the machine, and also where applicable, to all tools, accessories, chargers or mains adaptors.

TO REDUCE THE RISK OF FIRE, ELECTRIC SHOCK, OR INJURY:

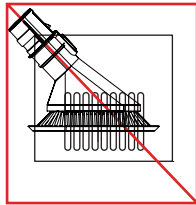
1. This machine is not intended for use by persons (including children) with reduced physical, sensory or reasoning capabilities, or lack of experience and knowledge, unless they have been given supervision or instruction concerning use of the machine by a person responsible for their safety.
2. Do not allow to be used as a toy. Close attention is necessary when used by or near children. Children should be supervised to ensure that they do not play with the machine.
3. Use only as described in this NEQUARE Operating Manual. Do not carry out any maintenance other than that shown in this manual.
4. Suitable for dry locations ONLY. Do not use outdoors or on wet surfaces.
5. Do not handle any part of the plug or machine with wet hands.
6. Do not use with a damaged cord or plug. If the supply cord is damaged it must be replaced by NEQUARE, its service agent or similarly qualified persons in order to avoid a hazard.

7. If the machine is not working as it should, has received a sharp blow, has been dropped, damaged, left outdoors, or dropped into water, do not use and contact the NEQUARE support.
8. Do not disassemble the machine as incorrect reassembly may result in an electric shock or fire.
9. Do not use to pick up water.
10. Do not use to pick up flammable or combustible liquids, such as gasoline, or use in areas where they or their vapors may be present.
11. Do not pick up anything that is burning or smoking, such as cigarettes, matches, or hot ashes.
12. Keep hair, loose clothing, fingers, and all parts of the body away from openings and moving parts. Do not point the hose, wand or tools at your eyes or ears or put them in your mouth.
13. Do not put any object into openings. Do not use with any opening blocked; keep free of dust, lint, hair, and anything that may reduce airflow.
14. Do not use without the dust bin and filter(s) in place.
15. Unplug from the outlet when not in use for extended periods and before maintenance or servicing.
16. Do not install, charge or use this machine outdoors, in a bathroom or within 10 feet (3 meters) of a pool. Do not use on wet surfaces and do not expose to moisture, rain or snow.
17. FIRE WARNING – Do not place this product on or near a cooker or any other hot surface and do not incinerate this appliance even if it is severely damaged. The battery might catch fire or explode.
18. Always turn off the machine before connecting or disconnecting the motorized brush bar.
19. FIRE WARNING – Do not apply any fragrance or scented product to the filter(s) of this machine. The chemicals in such products are known to be flammable and can cause the machine to catch fire.

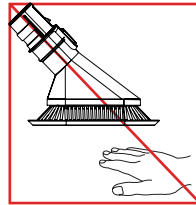
READ AND SAVE THESE INSTRUCTIONS THIS MACHINE IS INTENDED FOR HOUSEHOLD USE ONLY



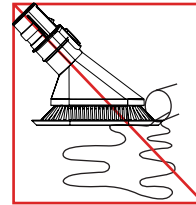
Do not use
near open
flames.



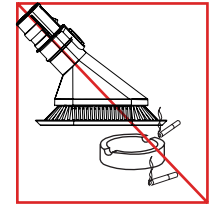
Do not
store near
heat
sources.



Do not put
hands
near the
brush bar
when the
machine
is in use.



Do not pick
up water or
liquids.



Do not pick
up burning
objects.

USING YOUR MACHINE PLEASE READ THE “SAFETY INSTRUCTIONS” IN THIS OPERATING MANUAL BEFORE PROCEEDING OPERATION.

- Do not use outdoors or on wet surfaces or to vacuum water or other liquids –electric shock could occur.
- Ensure the machine remains upright in use. Dirt and debris may be released if it is turned upside down.
- Do not operate while checking for blockages as doing so could result in personal injury.
- For domestic indoor and car use only. Do not use it while the car is in motion or while driving.
- Use appropriate mounting hardware for your wall type and ensure that the docking station is mounted securely. Ensure no pipe work (gas, water, air) or electrical cables, wires or ductwork are located directly behind the mounting area.

CARPETS OR HARD FLOORS

- Before vacuuming your flooring, rugs and carpets, check the manufacturer's recommended cleaning instructions.
- The brush bar on the machine can damage certain carpet types and floors. Some carpets will fuzz if a rotating brush bar is used when vacuuming. If this happens, we recommend vacuuming without the motorized floor tool and consulting with your flooring manufacturer.
- Before vacuuming highly polished floors, such as wood or linoleum, first check that the underside of the floor tool and its brushes are free from foreign objects that could cause marking.

MACHINE MAINTENANCE

- Do not carry out any maintenance or repair work other than that shown and described in this Operating Manual.
- Store the machine indoors. Do not use or store it below 37.4°F (3°C). Ensure the machine is at room temperature before operating.
- Clean the machine only with a dry cloth. Do not use any lubricants, cleaning agents, polishes or air fresheners on any part of the machine.

VACUUMING

- Do not use without the dust bin and filters in place.
- Fine dirt such as plaster dust or flour should only be vacuumed in very small amounts.
- Do not use the machine to pick up sharp hard objects, small toys, pins, paperclips, etc. They may damage the machine.
- When vacuuming, certain carpets may generate small static charges in the dust bin or wand. These are harmless and won't cause any electrical hazards. To minimize any effect from this, do not put your hand or insert any object into the dust bin unless you have first emptied it. Clean the dust bin with a damp cloth only.

- Use extra care when cleaning on stairs.
- Do not rest the machine on chairs, tables, etc.
- Do not press down on the nozzle with excessive force when using the machine as this may cause damage.
- Do not leave the cleaner head in one place on delicate floors.
- On waxed floors the movement of the cleaner head may create an uneven luster. If this happens, wipe with a damp cloth, polish the area with wax, and wait for it to dry.

EMPTYING THE DUST BIN

- To make emptying the dust bin easier, it is advisable to remove the wand and floor tool.
- To minimize dust/allergen contact when emptying, encase the dust bin tightly in a plastic bag to empty.
- Remove the dust bin carefully from the bag.
- Seal the bag tightly, dispose as normal.

CLEANING THE DUST BIN

- Ensure the machine is disconnected from the charger before removing the dust bin.
- Remove the wand and floor tool.
- Clean the dust bin with a damp cloth only.
- Do not use detergents, polishes or air fresheners to clean the dust bin.
- Do not put the dust bin in a dishwasher.
- Ensure the dust bin is completely dry before replacing.
- To replace the dust bin, align the tabs on the dust bin with the grooves on the main body and slide upwards into place until the catch clicks.

WASHABLE PARTS

Your appliance has washable parts, which require regular cleaning. Follow the instructions below.

WASHING THE FILTERS

- Wash the filters at least once a month
- More frequent washing may be required where the user:
vacuums fine dust, uses the machine intensively.

WASHING FILTER

- Ensure the machine is disconnected from the charger before removing the filter.
- Check and wash the filter regularly according to instructions to maintain performance.
- The filter may require more frequent washing if vacuuming fine dust.
- To remove the filter, lift it out of the top of the machine.
- Wash the filter with cold water only.
- Run water over the outside of the filter until the water runs clear.
- Squeeze and twist with both hands to make sure the excess water is removed.
- Lay the filter on its side to dry. Leave to dry completely for a minimum of 24 hours.
- Do not put the filter in a dishwasher, washing machine, tumble dryer, oven, microwave or near an open flame.
- To refit, place the dry filter back into the top of the machine. Make sure it is seated properly.

Trouble Shooting

Problem	Possible cause	Solution
Dust escapes from vacuum	Filter is missing or installed incorrectly	Check filter for correct installation
	Filter is damaged and needs to be replaced	Purchase online at www.nequare.com
	Dust bin is full	Empty dust bin
The appliance doesn't work	The suction mouth is blocked	Check and remove blockages
	Hand vacuum is not installed properly	Remove hand vacuum and reattach ensuring that it is securely in place.
Abnormal motor sounds	The appliance is blocked(such as tube, suction mouth)	Remove blockages



For any technical support/help,
please contact us directly:

Email: support@nequare.com

Web: www.nequare.com