

- The word "dreame" is the abbreviation of Dreame Technology Co., Ltd. and its subsidiaries in China. It is the transliteration of the company's Chinese name "追觅", which means striving for excellence in every endeavor and reflects the company's vision of continuous pursuit, exploration and search in technology.
- Dreame est l'abréviation de l'entreprise chinoise Dreame Technology Co. et ses filiales, qui est la traduction phonétique du nom chinois de l'entreprise, reflétant la vision de l'entreprise qui consiste à poursuivre, explorer et rechercher constamment les avancées technologiques.
- La palabra "dreame" es la abreviatura de Dreame Technology Co., Ltd. y sus subsidiarias en China. Es la transliteración del nombre chino de "Dreame", que significa luchar por la excelencia en cada esfuerzo y refleja la visión de la compañía de continuamente buscar, explorar e investigar en tecnologías.



For more information & after-sales support, contact us via [aftersales@dreame.tech](mailto:aftersales@dreame.tech)/ <https://global.dreametech.com>

Manufactured by: Dreame Trading (Tianjin) Co., Ltd.

Room 2112-1-1, South District, Finance and Trade Center, No.6975 Yazhou Road, Dongjiang Bonded Port Area, Tianjin Pilot

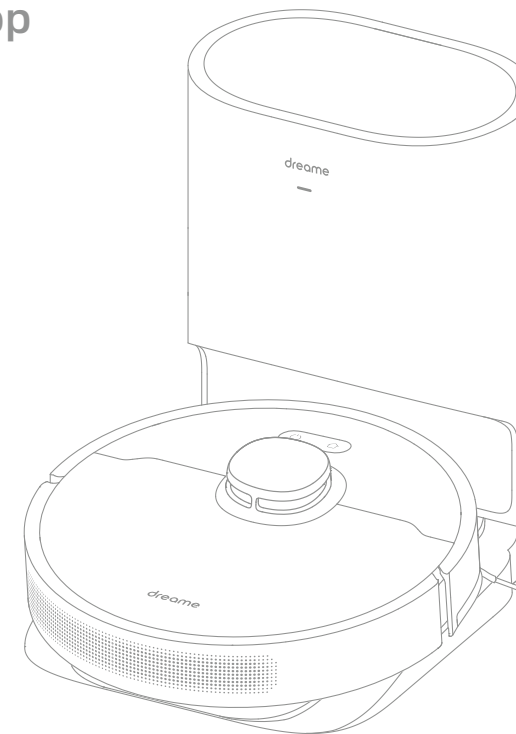
Free Trade Zone, Tianjin, China

Made in China

RLS3D-NA-A01

# DreameBot D10 Plus

## Auto-Empty Robot Vacuum and Mop User Manual



Read this manual carefully before use and keep it for future reference.

**dreametech**

## Contents

<b>EN</b> User Manual	1
<b>FR</b> Manuel d'utilisation	26
<b>ES</b> Manual de usuario	51

## Safety Information

### IMPORTANT SAFETY INSTRUCTIONS

When using an electrical appliance, basic precautions should always be followed, including the following:

READ ALL INSTRUCTIONS BEFORE USING (THIS APPLIANCE), Failure to follow the warnings and instructions may result in electric shock, fire and/or serious injury.

### SAVE THESE INSTRUCTIONS

Household use only.

### WARNING - To reduce the risk of fire, electric shock, or injury:

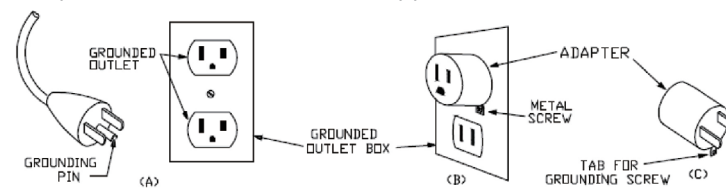
- Do not use outdoors or on wet surfaces.
- Do not allow to be used as a toy. Close attention is necessary when used by or near children, pets or plants.
- Use only as described in this manual. Use only manufacturer's recommended attachments.
- Do not use with damaged cord or plug. If appliance is not working as it should, has been dropped, damaged, left outdoors, or dropped into water, return it to a service center.
- Do not pull or carry by cord, use cord as a handle, close a door on cord, or pull cord around sharp edges or corners. Do not run appliance over cord. Keep cord away from heated surfaces.
- Do not unplug by pulling on cord. To unplug, grasp the plug, not the cord.
- Do not handle charger, including charger plug, and charger terminals with wet hands.
- Do not put any object into openings. Do not use with any opening blocked; keep free of dust, lint, hair, and anything that may reduce air flow.

## Safety Information

- Keep hair, loose clothing, fingers, and all parts of body away from openings and moving parts.
- Do not use to pick up flammable or combustible liquids, such as gasoline, or use in areas where they may be present.
- Do not pick up anything that is burning or smoking, such as cigarettes, matches, or hot ashes.
- Do not use without dust bag.
- Prevent unintentional starting. Ensure the switch is in the off-position before connecting to battery pack, picking up or carrying the appliance. Carrying the appliance with your finger on the switch or energizing appliance that have the switch on invites accidents.
- Do not use and store in extremely hot or cold environments (below 0°C/ 32 °F or above 40°C/104 °F). Please charge the robot in temperature above 0°C/ 32 °F and below 40°C/104 °F.
- Recharge only with the charger specified by the manufacturer. A charger that is suitable for one type of battery pack may create a risk of fire when used with another battery pack.
- Use appliances only with specifically designated battery packs. Use of any other battery packs may create a risk of injury and fire.
- When battery pack is not in use, keep it away from other metal objects, like paper clips, coins, keys, nails, screws or other small metal objects, that can make a connection from one terminal to another. Shorting the battery terminals together may cause burns or a fire.
- Under abusive conditions, liquid may be ejected from the battery; avoid contact. If contact accidentally occurs, flush with water. If liquid contacts eyes, additionally seek medical help. Liquid ejected from the battery may cause irritation or burns.
- Do not use a battery pack or appliance that is damaged or modified. Damaged or modified batteries may exhibit unpredictable behavior resulting in fire, explosion or risk of injury.
- Do not expose a battery pack or appliance to fire or excessive temperature. Exposure to fire or temperature above 130°C may cause explosion.
- Follow all charging instructions and do not charge the battery pack or appliance outside of the temperature range specified in the instructions. Charging improperly or at temperatures outside of the specified range may damage the battery and increase the risk of fire.
- Have servicing performed by a qualified repair person using only identical replacement parts. This will ensure that the safety of the product is maintained.

## Safety Information

- Do not modify or attempt to repair the appliance or the battery pack except as indicated in the instructions for use and care.
- Place the cords from other appliances out of the area to be cleaned.
- Do not operate the vacuum in a room where an infant or child is sleeping.
- Do not operate the vacuum in an area where there are lit candles or fragile objects on the floor to be cleaned.
- Do not operate the vacuum in a room that has lit candles on furniture that the vacuum may accidentally hit or bump into.
- Do not allow children to sit on the vacuum.
- Do not use the vacuum on a wet surface.
- Use only with RCS7 supply unit.
- Risk Of Injury. Brush May Start Unexpectedly.
- Switch off the appliance and Remove the brush Before Cleaning or Servicing.
- Unplug before cleaning or servicing.
- This appliance is for use on a nominal 120-V circuit and has a grounding attachment plug that looks like the plug illustrated in sketch A in Figure 20. Make sure that the appliance is connected to an outlet having the same configuration as the plug. No adaptor should be used with this appliance.



### Caution:

This device complies with Part 15 of the FCC Rules / Innovation, Science and Economic Development Canada's licence-exempt RSS(s). Operation is subject to the following two conditions: (1) this device may not cause harmful interference. (2) this device must accept any interference received, including interference that may cause undesired operation.

Changes or modifications not expressly approved by the party responsible for compliance could void the user's authority to operate the equipment.

## Safety Information

This equipment has been tested and found to comply with the limits for a Class B digital device, pursuant to part 15 of the FCC Rules. These limits are designed to provide reasonable protection against harmful interference in a residential installation. This equipment generates uses and can radiate radio frequency energy and, if not installed and used in accordance with the instructions, may cause harmful interference to radio communications. However, there is no guarantee that interference will not occur in a particular installation. If this equipment does cause harmful interference to radio or television reception, which can be determined by turning the equipment off and on, the user is encouraged to try to correct the interference by one or more of the following measures:

- Reorient or relocate the receiving antenna.
- Increase the separation between the equipment and receiver.
- Connect the equipment into an outlet on a circuit different from that to which the receiver is connected.
- Consult the dealer or an experienced radio/TV technician for help.

### MPE Reminding

To satisfy FCC / IC RF exposure requirements, a separation distance of 20 cm or more should be maintained between the antenna of this device and persons during device operation.

To ensure compliance, operations at closer than this distance is not recommended.

To disable Wi-Fi module on robot, power the robot ON. Place the robot on the Charging Dock. Ensure the Charging Contacts on robot and the Charging Dock Pins make a connection.

Press and hold the Dock Button on the robot for 20 seconds until the Wi-Fi module is turned off.

When the Wi-Fi module is turned off, press any button on the robot to turn the Wi-Fi module on.

— — —	Direct current
~	Alternating current

This Device Complies with DHHS Radiation Rules, 21CFR Chapter 1, Subchapter J.

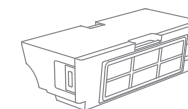
## Product Overview

### Accessories

#### Pre-Installed Accessories



Main Brush



Dust Bin

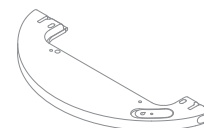


Cleaning Tool

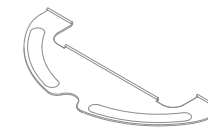


Dust Collection Bag x2  
(1 pre-installed)

#### Other Accessories



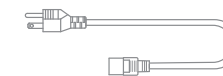
Water Tank



Mop Pad



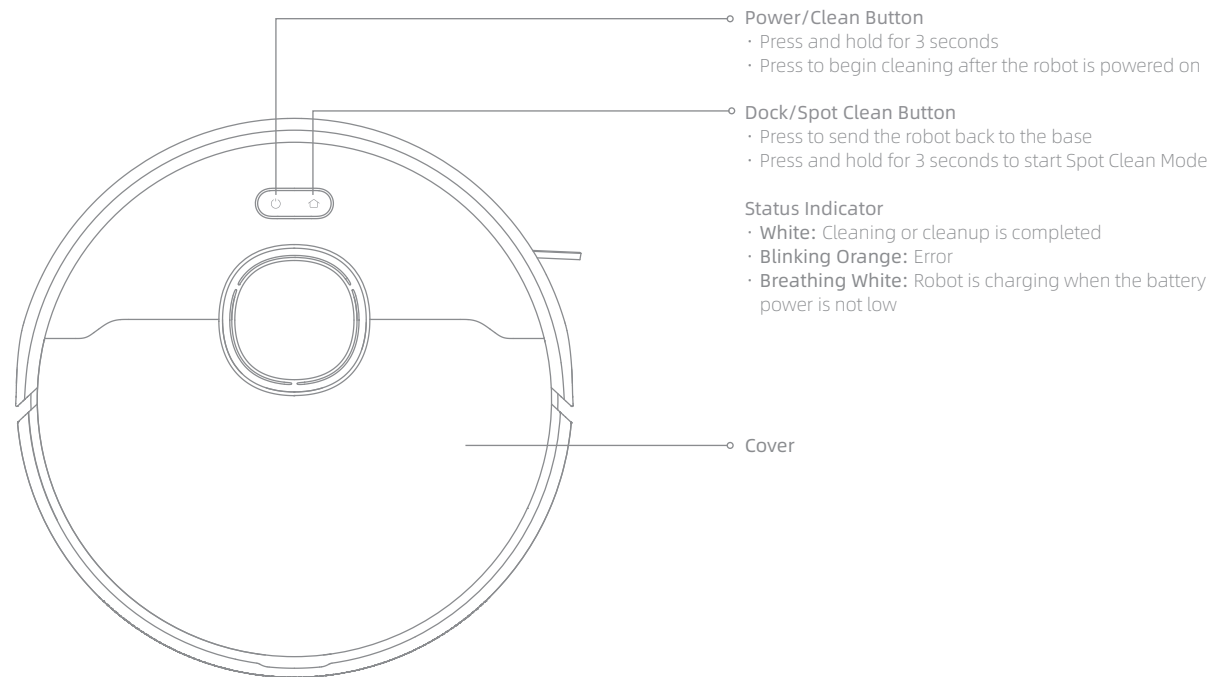
Side Brush



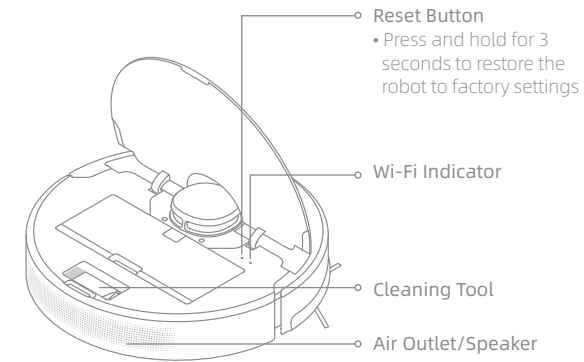
Power Cord



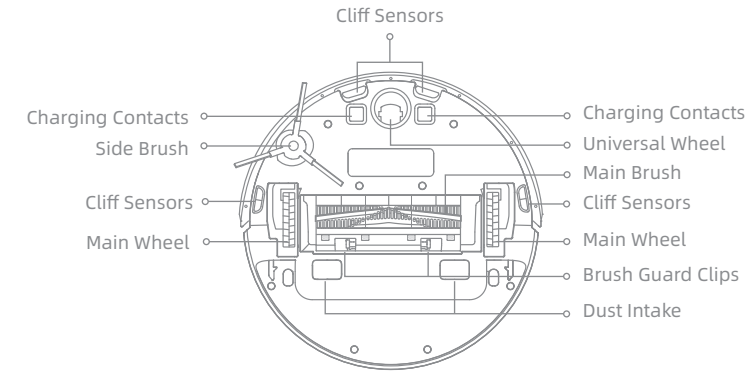
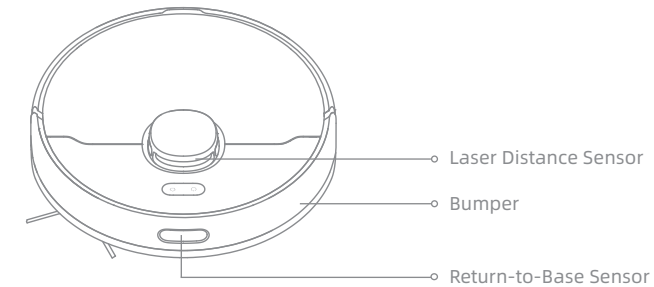
## Robot



## Robot

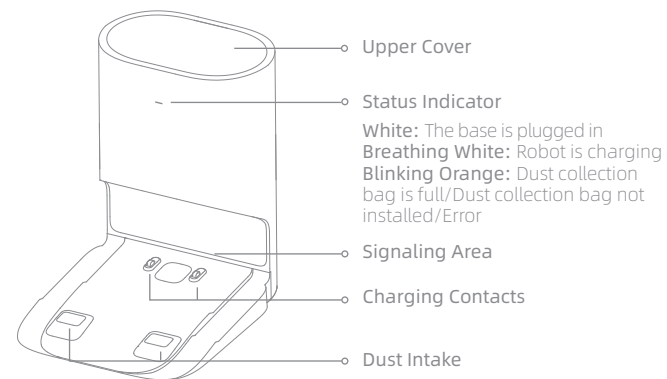


## Robot Sensors

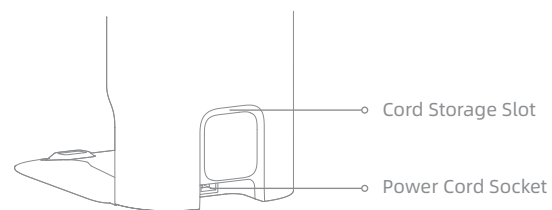


## Product Overview

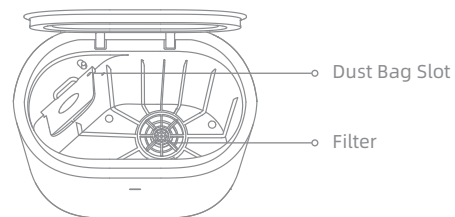
### Auto-Empty Base



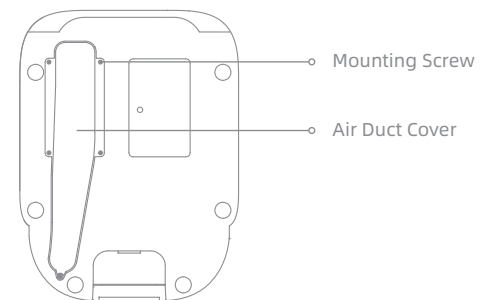
### Back



### Open the upper cover

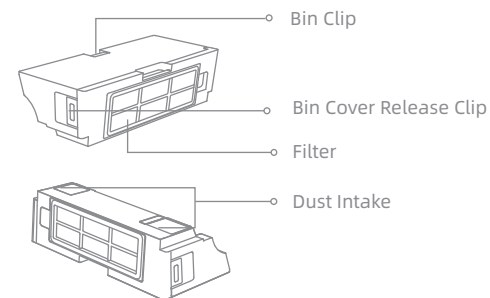


### Bottom



## Product Overview

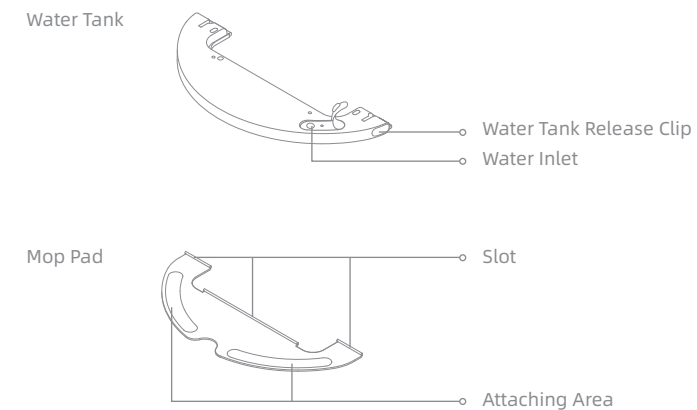
### Dust Bin



### Dust Collection Bag

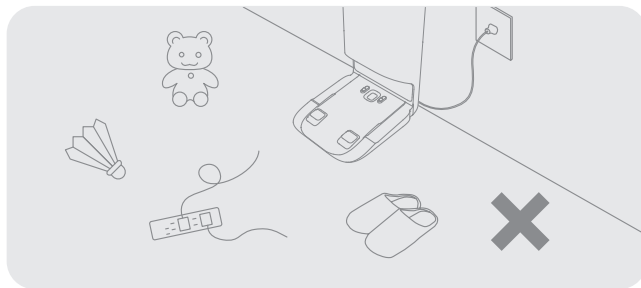


### Mopping Module

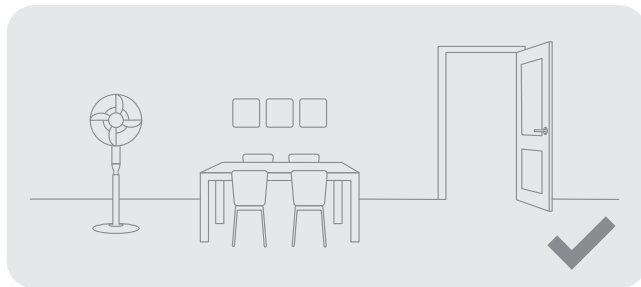


**Note:** Due to the factory setting, a new dust collection bag has been installed inside already.

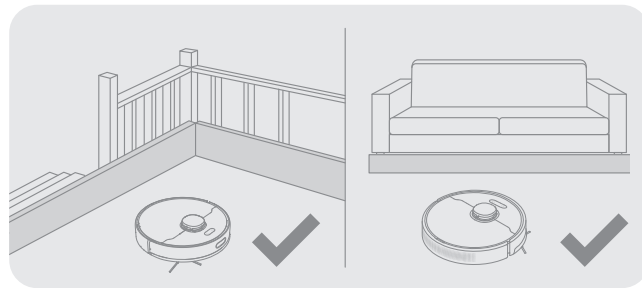
## Clearing Home Environment



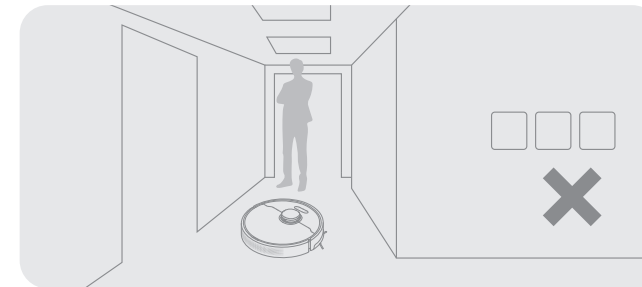
To improve the working efficiency of your robot, put away any loose cords, rags, slippers, toys, etc.



Open the door of the room to be cleaned, and put the furniture in its proper place to make more space.



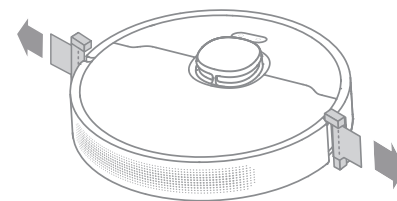
Before cleaning, place a physical barrier at the edge of the stairs and sofa to ensure safe and smooth operation of the robot.



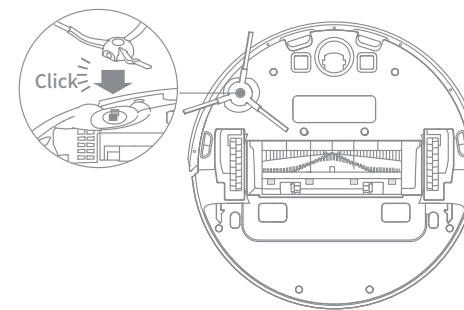
To prevent the robot from not recognizing the area that needs to be cleaned, do not stand in the front of the robot, threshold, hallway, or narrow places.

## Preparation Before Use

### 1. Remove the protective strips



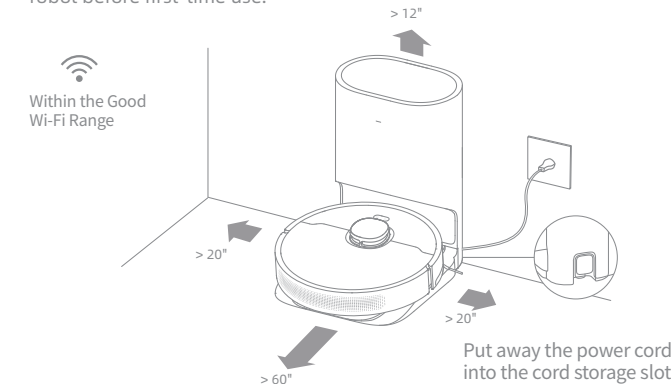
### 2. Install the side brush



**Note:** Install the side brush until it clicks into place.

### 3. Connect to a power outlet and start charging

Place the base on level ground against the wall and connect it to a power outlet. Place the robot onto the base to charge. The robot will turn on automatically and begin charging. It is recommended to fully charge your robot before first-time use.



#### **Note:**

- Keep the immediate area 1.5 m in front of the base and 0.5 m to its both sides clear of objects.
- Make sure that no objects might block the signaling area.

#### **About the Auto-Empty Base**

It is recommended that the robot set out from the base before cleaning. Do not move the base while the robot is cleaning. This ensures that the robot returns to base smoothly.

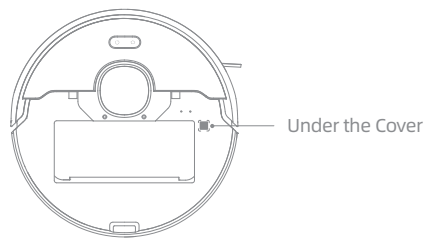
After the robot completes the cleaning task and automatically returns to the base, the base will start auto-empty. More settings can be operated on the APP.

## Connect with Mi Home/Xiaomi Home App

The appliance works with the Mi Home/Xiaomi Home app, which can be used to control the appliance and make it interact with other smart devices.

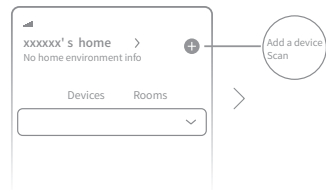
### 1. Download the Mi Home/Xiaomi Home App

Scan the QR code on the robot or search "Mi Home" or "Xiaomi Home" in the app store to download and install the app.



### 2. Add Device

Open the Mi Home/Xiaomi Home app, tap "+" in the upper right, and scan the QR code above again to add "Dreame Bot D10 Plus". Please follow the prompts to finish the Wi-Fi connection.

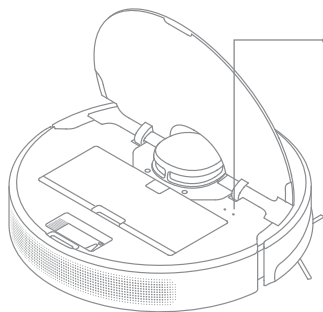


Note:

- Only 2.4GHz Wi-Fi is supported.
- The version of the app might have been updated, please follow the instructions based on the latest app version.

### 3. Reset Wi-Fi

Simultaneously press and hold the buttons and until you hear a voice prompt saying, "Waiting for the network configuration." Once the Wi-Fi indicator is blinking slowly, the Wi-Fi has been successfully reset.



- Wi-Fi Indicator
- Blinking slowly: To be connected
  - Blinking quickly: Connecting
  - On: Wi-Fi connected

Note: If your robot cannot connect to the app successfully, reset the Wi-Fi and add the device again.

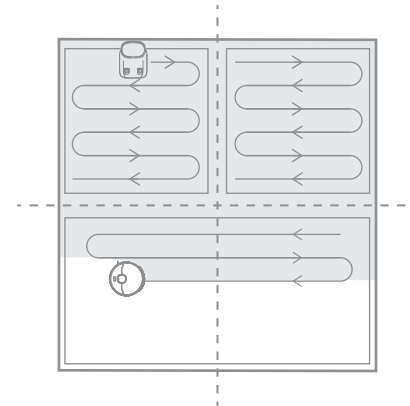
## How to Use

### 1. Turn On/Off

Press and hold the button for 3 seconds to turn on the robot. Once the power indicator turns solid white, the robot is on standby. To turn off the robot, press and hold the button for 3 seconds when the robot is not moving.

### 2. Start Cleaning

Press the button briefly to turn on the robot. Upon activation, the robot will accurately map out a route, methodically clean along the edges and walls, then finish by cleaning each room in an S-shaped pattern to ensure a thorough job.



### 3. Cleaning Mode

Dreame Bot D10 Plus has four cleaning modes: Quiet, Standard, Strong, and Turbo. The default mode is Standard. You can specify the cleaning mode in the app.

### 4. Pause/Sleep Mode

**Pause:** Press any button briefly to pause the robot during cleaning.

**Sleep Mode:** If the robot pauses for more than 10 minutes, it automatically enters the sleep mode, and the power indicator and charging indicator will go off. To wake up the robot, press any button.

Note:

- The robot will turn off automatically if left in Sleep Mode for more than 12 hours.
- If the robot is paused and placed onto the base, the current cleaning task will end.

### 5. Spot Clean Mode

When the robot is paused or in Standby Mode, press and hold the button for 3 seconds to start Spot Clean Mode. In this mode, it will clean a square-shaped area of 1.5x1.5 meters directly around the robot. When the spot cleaning is done, the robot will automatically return to its original location and power off.

Note: Activating Spot Clean Mode will end the current cleaning task of the robot.

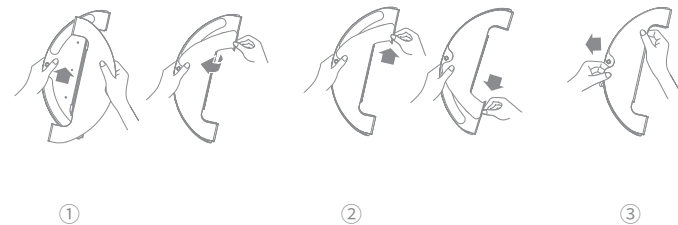
### 6. Additional App Functions

Follow the instructions on the app interface to use more functions. The version of the app might have been updated; please follow the instructions based on the current app version.

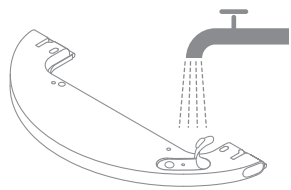
### 7. Use the Mopping Function

It is recommended that all floors are vacuumed at least three times before the first mopping session to achieve a better cleaning effect.


1) Dampen the mop pad and wring out excess water. Insert the mop pad into the slot of the water tank as shown in the figure, and paste the pad firmly.

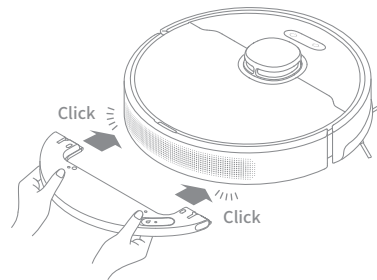


2) Open the water tank lid, fill the tank with water, then securely close the lid.



**Note:** Do not use detergent or disinfectant.

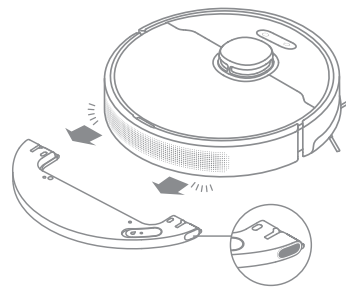
3) Align the mopping module as indicated by the arrow, then slide it into the back of the robot until it clicks into place. Press the button  or use the app to start cleaning.



**Note:**

- It is not recommended to use the mopping function on carpets.
- Use the app to adjust the water flow as required.

4) Press the two side clips inwards and slide the water tank backwards to separate it from the robot.

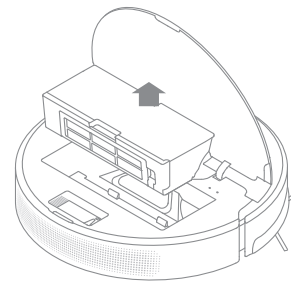


**Note:** When the robot is charging or not in use, remove the mopping module, pour out all the remaining water in the tank, and clean the mop pad to prevent mildew or odors.

## Routine Maintenance

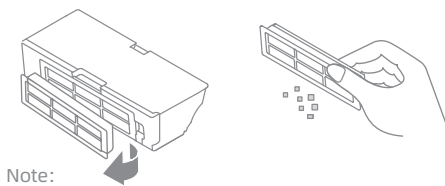
### Clean the Dust Bin \* Clean after each use

1. Open the robot cover, then press the dust bin clip to remove the dust bin.



### Clean the Filter

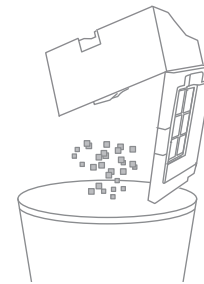
1. Remove the filter and tap its basket gently.



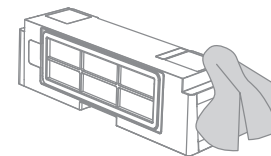
**Note:**

- Do not attempt to clean the filter with brushes or fingers.
- Rinse the dust bin with clean water only. Do not use any detergent.
- Only use the dust bin and filter when they are completely dry.
- The filter is recommended to be cleaned every two weeks and replaced every three months.

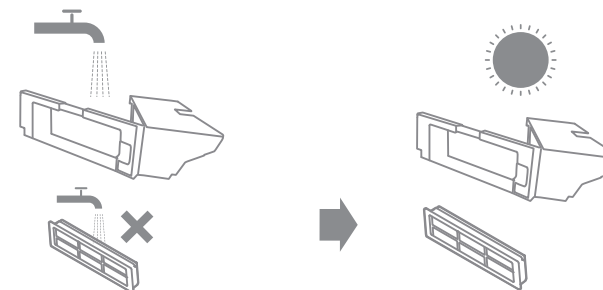
2. Open the bin cover and empty the bin as shown in the diagram.



3. Clean the dust intake.



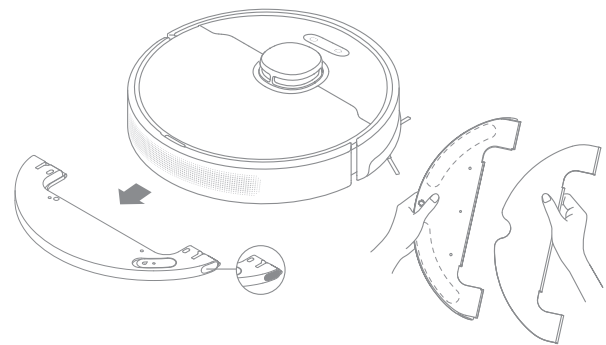
2. Do not wash the filter. Only the dust bin is washable. Thoroughly dry it before re-installing.



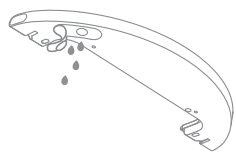
## Routine Maintenance

### Clean the Mopping Module

1. Press the two release clips on the side of the water tank, remove the mopping module, and pull the mop pad off the mopping module.

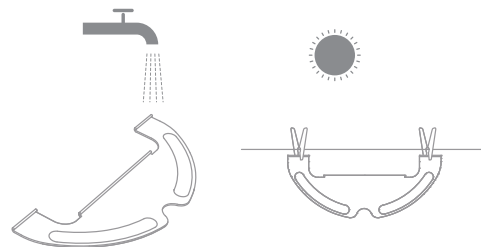


2. Pour out the water in the tank. Clean with only water and leave out to air dry before re-installing.



**Note:** Do not expose the tank to the sun directly.

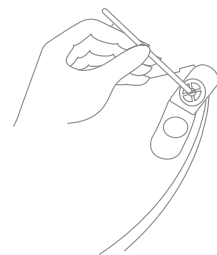
3. Clean the mop pad with water only and leave to air dry before re-installing.



#### Note:

- Remove the pad from the mopping module before cleaning it, and make sure dirty water does not flow back into the water outlet to avoid clogging.
- For optimal performance, it is recommended to replace the mop pad every 3-6 months.

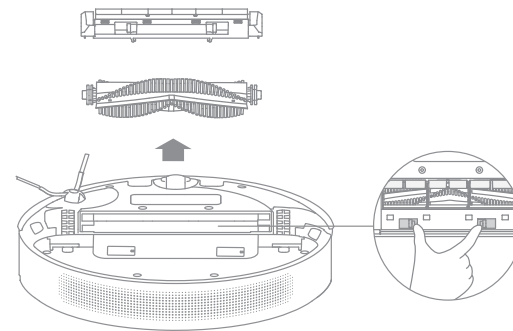
4. If slow water flow occurs, or the volume is not well-distributed, clean the air hole in the cover of the water tank.



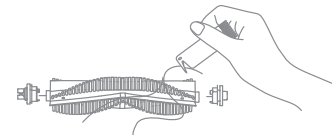
## Routine Maintenance

### Clean the Main Brush

Press the brush guard clips inwards to remove the brush guard and lift the brush out of the robot.



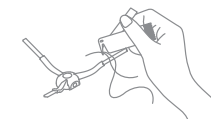
Pull out the brush covers as shown in the diagram. Use the included cleaning tool to remove any hairs tangled in the brush.



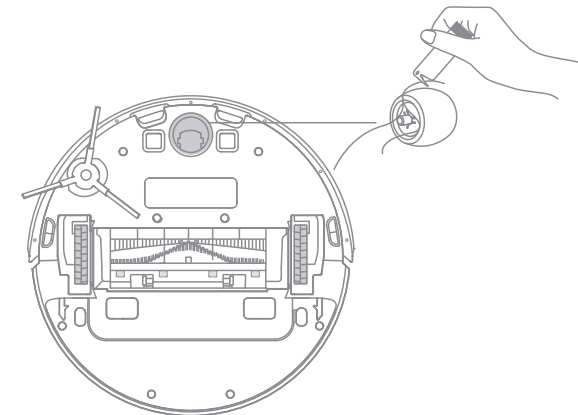
**Note:** Do not pull out the hair tangled in the main brush excessively. Otherwise, the brush may be damaged.

### Clean the Side Brush

Pull out the side brushes and use the cleaning tool to remove any hair tangled on the brush.



### Clean the Main Wheel/Universal Wheel

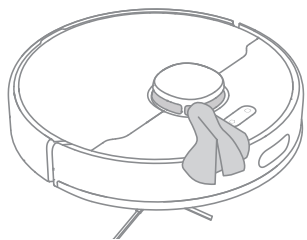


**Note:** Use a tool such as a small screwdriver to separate the axle and tire of the universal wheel.

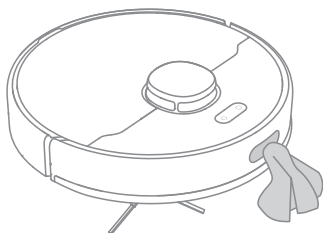
## Routine Maintenance

**Note:** Wet cloths can damage sensitive elements within the robot and base. Please use dry rags for cleaning.

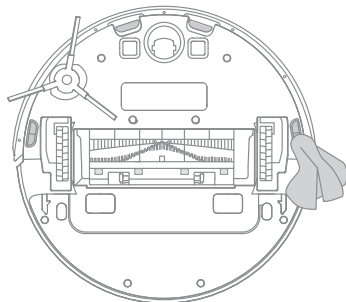
### Clean the Laser Distance Sensor



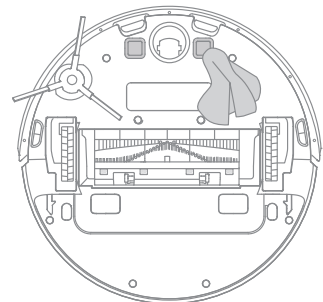
### Clean the Return-to-Base Sensor



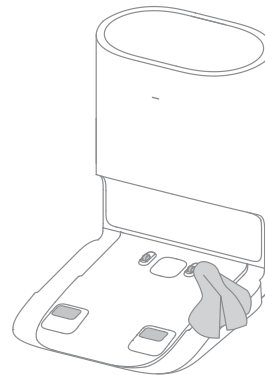
### Clean the Cliff Sensor



### Clean the Charging Contact



### Clean the Charging Contact and Dust Intake

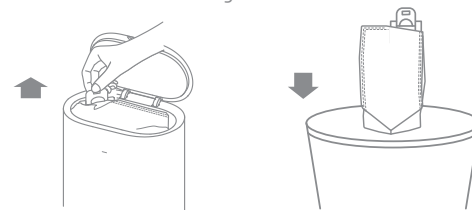


## Routine Maintenance

### Replace the Dust Collection Bag

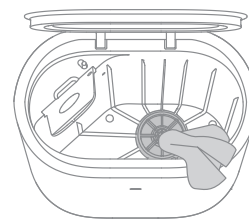
According to the status indicator (blinking orange) and app prompts, replace it with a new one when the dust collection bag is full. It is recommended to replace the bag every 4-6 weeks.

1. Discard the dust collection bag

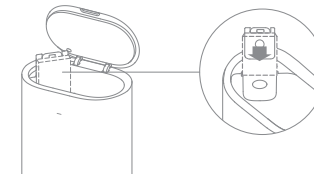


**Note:** When taking out the dust collection bag, close the dust bag handle to avoid dust leaking out.

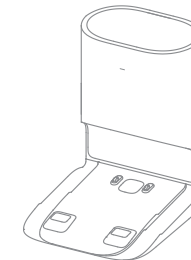
2. Wipe the filter with a dry cloth



3. Install a new dust collection bag



4. Close the upper cover of auto-empty base



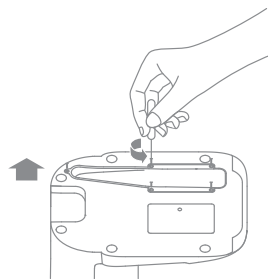
**Note:** Do not close the base forcibly, if the upper cover of base cannot be closed and the dust collection bag is not installed.

## Routine Maintenance

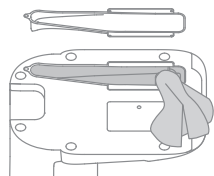
### Clean the Air Duct

If the air duct is blocked, please clean it according to the following steps.

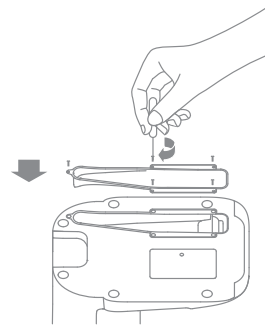
1. Unscrew mounting screws on the air duct cover and remove the cover plate.





2. Check whether the air duct is blocked by foreign objects. If any, clean them.



3. Reinstall the air duct cover as shown in the diagram.



### Robot Restarting

If the robot stops responding or cannot be turned off, press and hold down the button  for 10 seconds to forcefully turn it off. Then press and hold the button  for 3 seconds to turn the robot on.

### Battery

The robot contains a high-performance lithium-ion battery pack. Please ensure that it remains well-charged for daily use to maintain optimal battery performance. If the robot is not used for an extended period of time, turn it off and put it away. To prevent damage from over-discharging, the robot should be recharged at least once every three months.

## Status Indicator

The following table lists possible causes and solutions in terms of different light status. For more support, please refer to the section "FAQ" in this manual.

Light Status	Possible Cause	Solution
Off	No power supply	Check and ensure that the power supply for the base is normal.
	The robot in the DND period The robot with full charge in sleep mode	/
White	The robot not on the base	/
Breathing White	The robot is charging	/
Blinking Orange	Error	Check whether a dust collection bag is installed. If not, install one. Check whether the dust collection bag is installed in place.
		Check whether the upper cover is closed. If not, close the upper cover tightly.
		Check whether the bag is full. If so, replace it. Remove debris around the dust intake of the robot and base.
		Unplug the power cord of base, and check whether there are any foreign objects that block the air duct cover. If any, clean them.
		Check whether the dust bin of robot is installed. For other errors, contact qualified technicians or after-sales service.



Problem Type	Solution
Robot does not turn on	The battery level is low. Recharge the robot on the base, then try it again. The ambient temperature is too low (below 0° C) or too high (above 40° C). The operating temperature of the robot is 0° C to 40° C.
Robot cannot recharge	The base is not receiving power. Please confirm that both ends of the power cord are plugged in correctly. Poor contact. Clean charging contacts of the base and robot.
Robot cannot return to the base	There are too many obstructions around the base. Place the base in a more open area. Please clean the signaling area of the base. Moving the robot may cause it to re-position itself or re-map its surroundings. If the robot is too far from the base, it might not be able to automatically return on its own, in which case you need to manually place the robot onto the base.
Robot is malfunctioning	Turn off the robot and then reactivate it.
Robot is making a strange noise	A foreign object may be caught in the main brush, side brush, or one of the main wheels. Stop the robot and remove any debris.
Robot no longer cleans efficiently or leaves dust behind	The dust bin is full. Please clean the dust bin and dust intake. The filter is blocked. Please clean it. A foreign object is caught in the main brush. Please clean it.

Problem Type	Solution
Robot cannot connect to Wi-Fi	There is something wrong with the Wi-Fi connection. Reset the Wi-Fi and download the latest version of the Mi Home/ Xiaomi Home app, then try reconnecting. Location permission is not open. Please ensure the location permission on the app is enabled. Wi-Fi signal is weak. Make sure the robot is in an area with good Wi-Fi coverage. 5GHz Wi-Fi is not supported. Please ensure your robot connects to 2.4GHz Wi-Fi. The username or password of Wi-Fi is incorrect. Please enter the correct username and password.
Robot does not perform scheduled cleaning	The robot has low battery. Scheduled cleaning will not start unless the robot has been recharged in time.
Does leaving the robot on the base consume power if it is already fully charged?	Leaving the robot on the base after it's fully charged consumes very little electricity and helps maintain optimal battery performance.
No water comes out of the mopping module, or only a little bit comes out	Check whether there is water inside the water tank. Clean the mop if it becomes dirty. Make sure the mop pad is installed correctly according to the user manual. Clean the blowhole on the top of the water tank.
Robot doesn't resume cleaning after charging	Make sure the robot is not set to Do Not Disturb mode (DND), which will prevent it from resuming cleaning. The robot does not resume cleaning when it is manually recharged or placed onto the base.

Problem Type	Solution
Robot returns to the base without performing auto-empty tasks	DND mode prevents the robot from performing auto-empty tasks.
The dust collection bag is full	Check whether the dust collection bag is full. If so, replace it with a new one. It is recommended to replace the bag every 4-6 weeks. If not, check whether the dust intake or air duct at the bottom of the base is blocked. Remove any blockage before use.
The auto-empty duration can be unacceptably long sometimes	When the robot has been performing auto-empty tasks for a period of time, or when the air duct does not function smoothly, the auto-empty duration will be extended to prevent blockage.
The upper cover of base fails to be closed	Check whether a dust collection bag is installed. If not, install one.

## Specifications

### Robot

Model	RLS3D
Battery	5200 mAh (Nominal Capacity)
Charging Time	Approx. 6 hours
Wireless Connectivity	Wi-Fi IEEE 802.11b/g/n 2.4 GHz
OS Compatibility	Android 4.4 & iOS 10.0 or above
Rated Voltage	14.4 V ---
Rated Power	46 W
Operation Frequency	2400-2483.5 MHz
Maximum Output Power	< 20 dBm

### Auto-Empty Base

Model	RCS7
Rated Input	120 V ~ 50-60 Hz 4 A
Rated Output	19.8 V --- 1 A

Under normal use of condition, this equipment should be kept a separation distance of at least 20cm between the antenna and the body of the user.

## IMPORTANTES MESURES DE SÉCURITÉ

L'utilisation d'un appareil électrique demande certaines précautions:

LIRE TOUTES LES INSTRUCTIONS AVANT DE FAIRE FONCTIONNER (CETAPPAREIL), Le non-respect des mises en garde et des instructions peut causer des chocs électriques, des incendies et/ou des blessures graves.

### CONSERVER CES INSTRUCTIONS

Usage Domestique seulement.

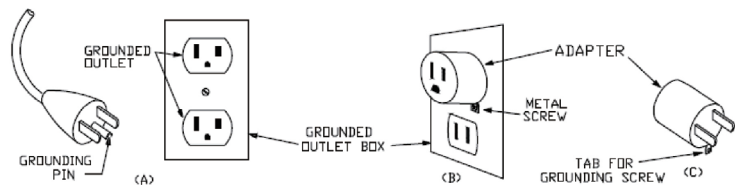
**AVERTISSEMENT** - Pour réduire les risques d'incendie, de choc électrique ou de blessure:

- Ne pas exposer à la pluie, Ranger à l'intérieur.
- Ne pas permettre aux enfants de jouer avec l'appareil. Une attention particulière est nécessaire lorsque l'appareil est utilisé par des enfants ou à proximité de ces derniers.
- N'utiliser que conformément à cette notice avec les accessoires recommandés par le fabricant.
- Ne pas utiliser si le cordon ou la fiche est endommagé. Retourner l'appareil à un atelier de réparation s'il ne fonctionne pas bien, s'il est tombé ou s'il a été endommagé, oublié à l'extérieur ou immergé.
- Ne pas tirer soulever ni trainer l'appareil par le cordon. Ne pas utiliser le cordon comme une poignée, le coincer dans l'embrasure d'une porte ou l'appuyer contre des arêtes vives ou des coins. Ne pas faire rouler l'appareil sur le cordon. Garder le cordon à l'écart des surfaces chaudes.
- Ne pas débrancher en tyrant sur le cordon. Tirer plutôt la fiche.
- Ne pas manipuler le chargeur, y compris la prise du chargeur, et les bornes du chargeur avec les mains mouillées.
- N'insérer aucun objet dans les ouvertures. Ne pas utiliser l'appareil lorsqu'une ouverture est bloquée. S'assurer que de la poussière, de la peluche, des cheveux ou d'autres matières ne réduisent pas le débit d'air.
- Maintenir les cheveux, les vêtements amples, les doigts et toutes les parties du corps à l'écart des ouvertures et des pièces mobiles.

- Ne pas aspirer des liquides inflammables ou combustibles, comme de l'essence, et ne pas faire fonctionner dans des endroits où peuvent se trouver de tels liquides.
- Ne pas aspirer de matières en combustion ou qui dégagent de la fumée, comme des cigarettes, des allumettes ou des cendres chaudes.
- Ne pas utiliser l'appareil si le sac à poussière ou le filtre n'est pas en place.
- Éviter une mise en marche accidentelle. S'assurer que l'interrupteur est à la position arrêt avant de raccorder la batterie, de lever ou de déplacer l'appareil. Transporter l'appareil en gardant un doigt sur l'interrupteur, ou mettre sous tension un appareil dont l'interrupteur est à la position marche peut causer un accident.
- Ne pas utiliser et entreposer dans un environnement à température extrêmement chaude ou froide ( inférieure à 0°C/32 °F ou supérieure à 40°C/104 °F). Veuillez charger le robot à une température supérieure à 0°C/32 °F et en dessous de 40°C/104 °F.
- Retirer la batterie de l'appareil avant d'effectuer des réglages, changer les accessoires ou ranger l'appareil. Ces mesures de sécurité ont pour but d'éviter une mise en marche accidentelle de l'appareil.
- Recharger uniquement avec le chargeur prescrit par le fabricant. Un chargeur convenant à un type de batterie peut présenter un risque d'incendie lorsqu'il est utilisé avec une autre batterie.
- Utiliser uniquement les batteries recommandées pour l'appareil. L'utilisation d'autres types de batteries peut présenter un risque de blessure ou d'incendie.
- Lorsque l'appareil n'est pas utilisé, tenir la batterie loin d'objets métalliques comme des trombones, des pièces de monnaie, des clés, des clous, des vis ou autres petits objets qui pourraient établir une liaison entre les bornes. Un court-circuit des bornes des batteries peut causer des brûlures ou un incendie.
- En condition d'usage abusif, du liquide peut s'échapper de la batterie ; éviter tout contact avec ce liquide. En cas de contact accidentel, rincer abondamment avec de l'eau. En cas de contact avec les yeux, consulter également un médecin. Le liquide projeté peut causer des irritations ou des brûlures.
- Ne pas utiliser une batterie ou un appareil endommagé ou qui a été modifié. Des batteries endommagées ou modifiées peuvent avoir un comportement imprévisible pouvant causer un incendie, une explosion ou un risque de blessure.
- Ne pas exposer une batterie ou un appareil à la flamme ou à des températures excessives. L'exposition à une flamme ou à des températures supérieures à 130 °C peut causer une explosion.

## Informations sur la sécurité

- Respecter toutes les instructions de chargement et ne pas charger la batterie ou l'appareil à des températures qui ne sont pas incluses dans la gamme de températures indiquées dans la notice d'instructions. Un chargement mal effectué.
- Confier les réparations à une personne qualifiée qui utilisera uniquement des pièces de remplacement identiques. Cette façon de faire garantira la sécurité du produit.
- Ne pas modifier ni tenter de réparer l'appareil ou la batterie sauf comme il est indiqué dans les instructions d'utilisation et d'entretien.
- Éloigner les cordons d'autres appareils de la zone à nettoyer.
- Ne pas utiliser l'aspirateur dans une pièce où un nourrisson ou un enfant dort.
- Ne pas utiliser l'aspirateur dans un endroit où il ya des bougies allumées ou des objets fragiles sur le plancher à nettoyer.
- Ne pas utiliser l'aspirateur dans une pièce où il ya des bougies allumées sur les meubles que l'aspirateur peut heurter ou se cogner accidentellement.
- Ne pas laisser les enfants s'asseoir sur l'aspirateur.
- Ne pas utiliser l'aspirateur sur une surface mouillée.
- N'utiliser que l'unité d'approvisionnement RCS7.
- Débranchez l'appareil avant de le nettoyer ou de le réparer.
- Cet appareil est conçu pour un fonctionnement sur un circuit nominal de 120 V et possède une fiche de fixation de mise à la terre qui ressemble à la fiche illustrée dans le croquis A de la figure 20. Veuillez vérifier que l'appareil est branché à une prise ayant la même configuration que la fiche. Aucun adaptateur ne doit être utilisé avec cet appareil.



## Informations sur la sécurité

L'émetteur/récepteur exempt de licence contenu dans le présent appareil est conforme aux CNR d'Innovation, Sciences et Développement économique Canada applicables aux appareils radio exempts de licence. L'exploitation est autorisée aux deux conditions suivantes :

1. L'appareil ne doit pas produire de brouillage;
2. L'appareil doit accepter tout brouillage radioélectrique subi, même si le brouillage est susceptible d'en compromettre le fonctionnement.

L'antenne installée doit être située de façon à ce que la population ne puisse être exposée à une distance de moins de 20 cm. Installer l'antenne de façon à ce que le personnel ne puisse approcher à 20 cm ou moins de la position centrale de l'antenne.

La FCC des états-unis stipule que cet appareil doit être en tout temps éloigné d'au moins 20 cm des personnes pendant son fonctionnement.

Pour désactiver le module Wi-Fi sur le robot, mettez le robot sous tension et le placez sur le socle de charge. Assurez qu'il est en train de se charger par les contacts de charge. Appuyez sur le bouton nettoyage concentré pendant 20 secondes jusqu'à ce que le module Wi-Fi s'éteigne.

Quand le module Wi-Fi sur le robot est désactivé, appuyez sur n'importe quel bouton du panneau pour réactiver le module Wi-Fi.

---	Courant continu
~	Courant alternatif

Cet appareil est conforme aux règles de radiation du DHHS, 21 CFR chapitre 1, sous-chapitre J.

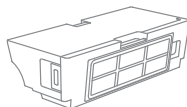
## Présentation du produit

### Accessoires

#### Accessoires préinstallés



Brosse principale



Bac à poussière

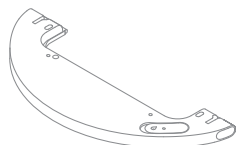


Outil de nettoyage

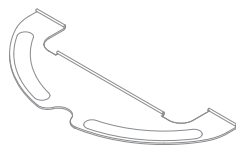


Sac de poussière x2  
(1 pré-installé)

#### Autres accessoires



Réservoir d'eau



Serpillière



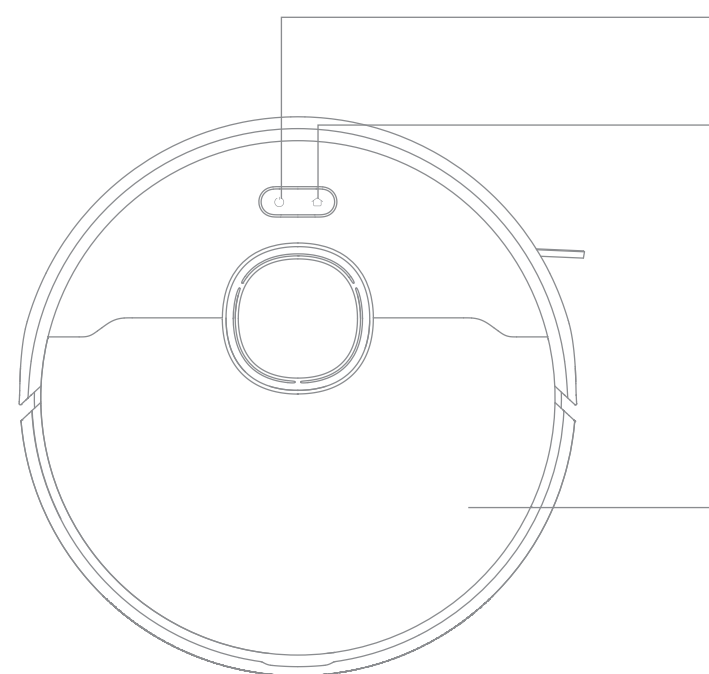
Brosse latérale



Câble d'alimentation

## Présentation du produit

### Robot



#### Bouton d'alimentation/nettoyage

- Appuyer le bouton pendant 3 secondes
- Nettoyer : appuyer pour commencer le nettoyage une fois que le robot est branché

#### Bouton de station/Nettoyage Local

- Appuyer pour renvoyer le robot à la station de charge
- Appuyez brièvement pour lancer le mode Spot Clean (nettoyage local)

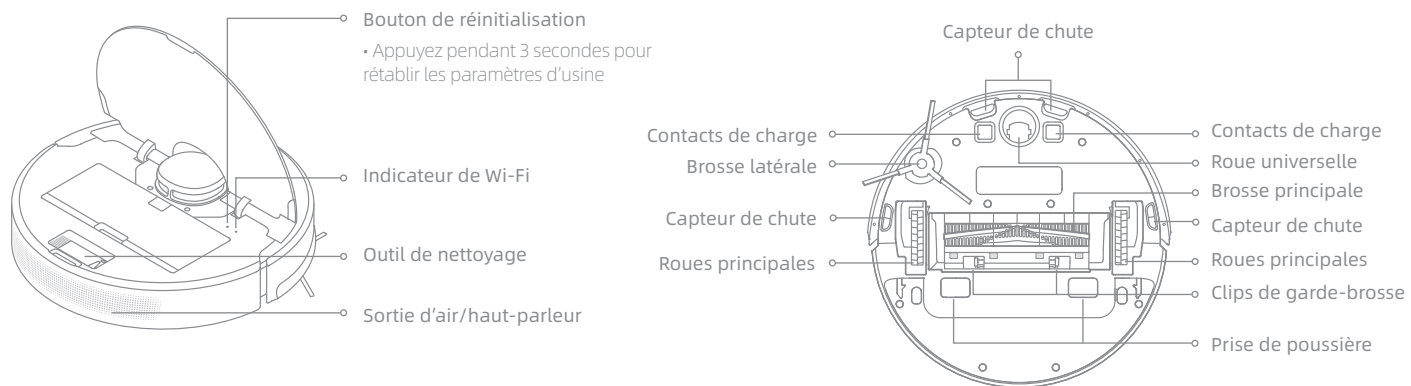
#### Indicateur d'état

- **Blanc** : nettoyage en cours ou terminé
- **Clignotant orange** : erreur
- **Respiration blanche** : Le robot est en charge quand la batterie n'est pas faible

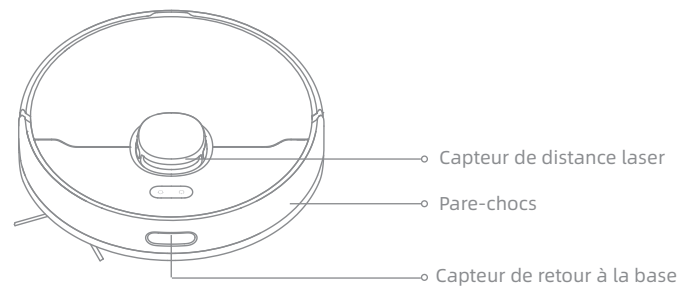
#### Couvercle

## Présentation du produit

### Robot

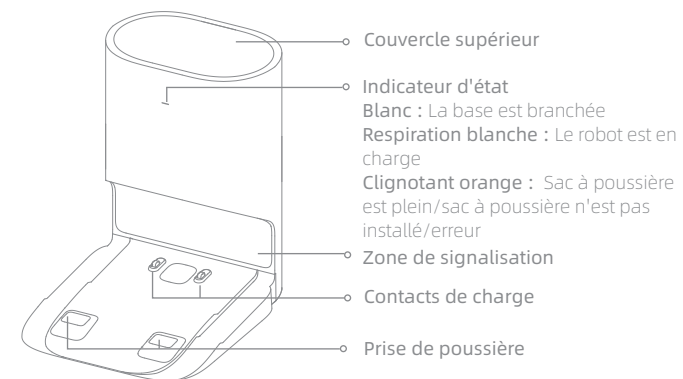


### Capteurs du robot

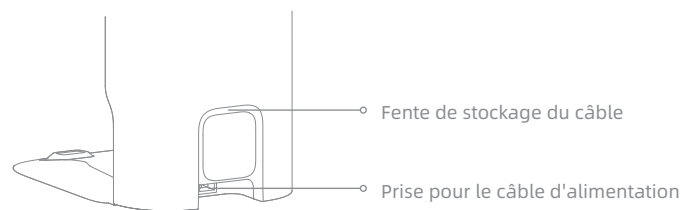


## Présentation du produit

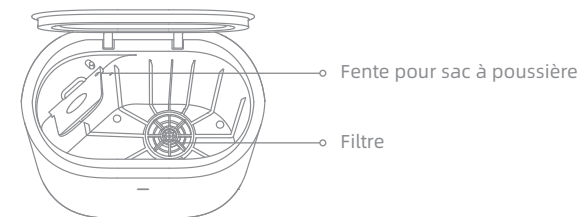
### Base auto-videuse



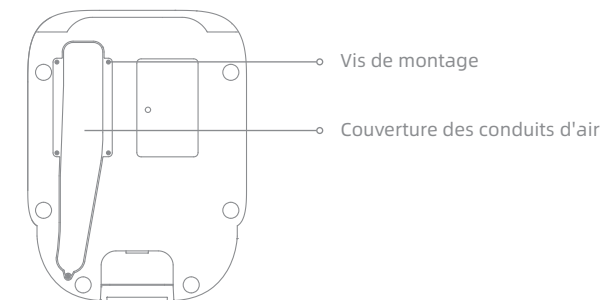
### Retour



### Enlevez le couvercle supérieur

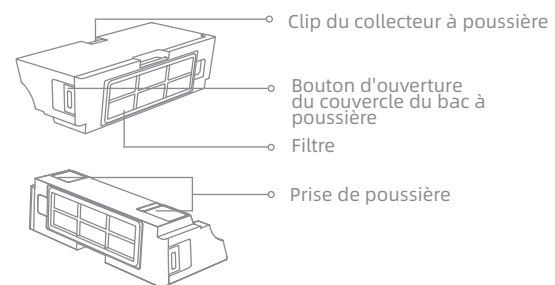


### En bas

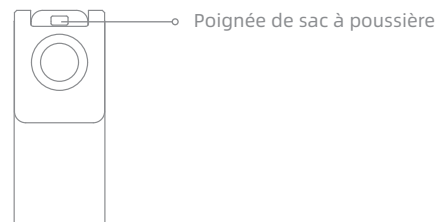


## Présentation du produit

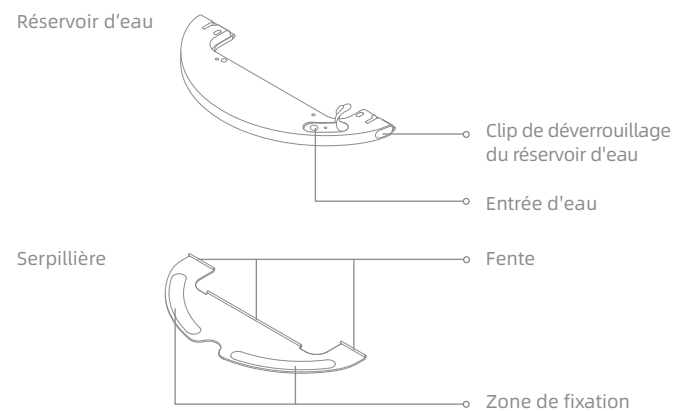
### Collecteur à poussière



### Sac à poussière

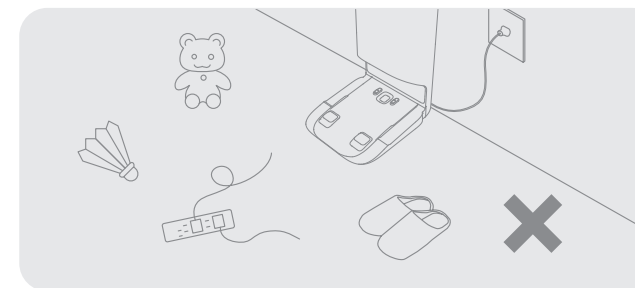


### Module de nettoyage

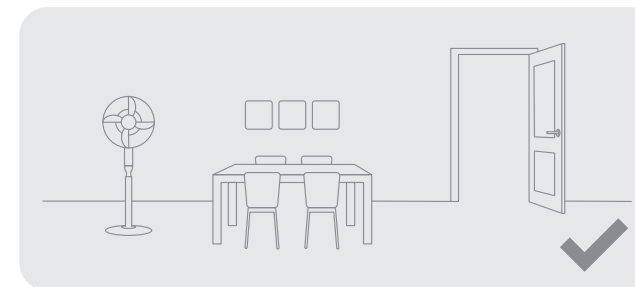


Remarque : En raison du réglage en usine, un nouveau sac à poussière a déjà été installé à l'intérieur.

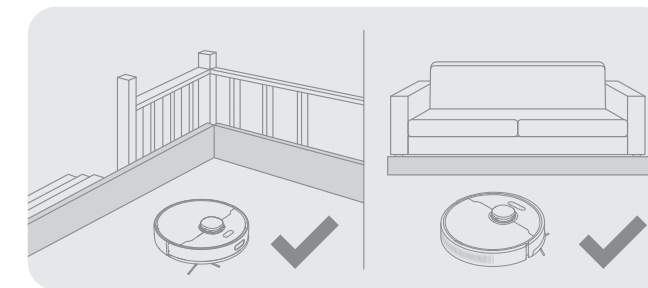
## Nettoyage domestique



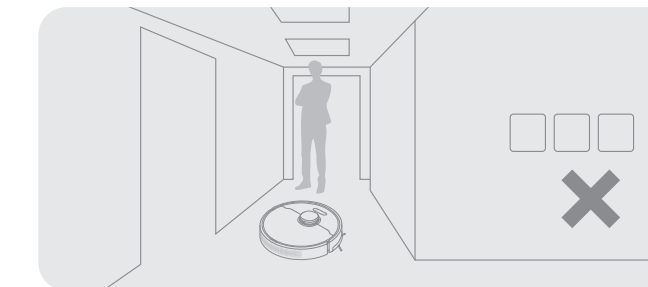
Rangez les fils répandus sur le sol, les chiffons, les pantoufles, les jouets, etc., pour améliorer l'efficacité du travail de votre robot.



Ouvrez la porte de la pièce à nettoyer, et rangez les meubles dans un endroit approprié pour faire plus de place.



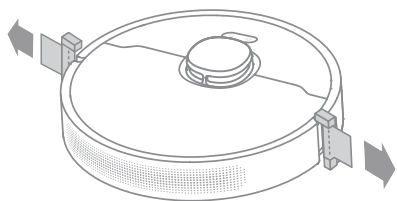
Avant le nettoyage, placez une barrière physique au bord des zones suspendues ou basses pour assurer la sécurité et le bon fonctionnement du robot.



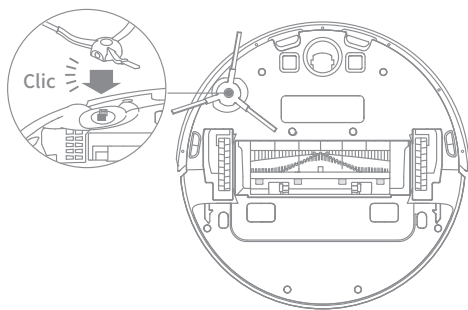
Pour éviter que le robot ne reconnaisse pas la zone à nettoyer, ne restez pas devant le robot, sur le palier, dans le couloir ou dans les endroits étroits.

## Préparation avant utilisation

### 1. Retirez les bandes de protection



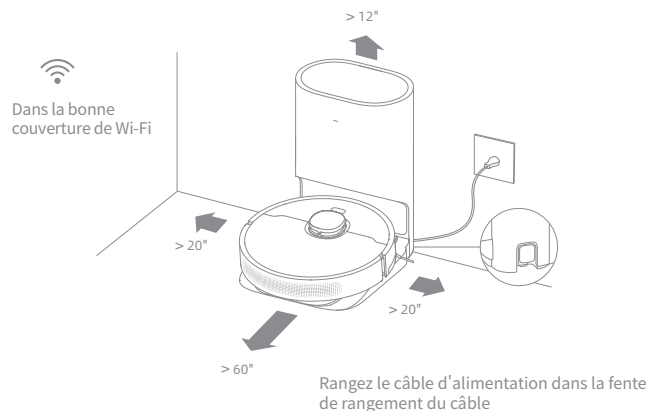
### 2. Installer la brosse latérale



Remarque : La brosse latérale est installée quand vous entendez un clic.

### 3. Connecter à une prise de courant

Placez la base sur un sol plat contre le mur et connectez à une prise de courant. Placez le robot sur la base pour le charger. Le robot va s'allumer alors automatiquement et se charger. Veuillez le charger pleinement avant la première utilisation.



#### Remarque :

- Assurez-vous qu'il y a une distance de 0,5 mètre ou plus de chaque côté de la base, et une distance de plus de 1,5 mètre devant celle-ci.
- Assurez-vous qu'aucun objet ne puisse bloquer la zone de signalisation.

#### Infos sur la base auto-vidieuse

Il est recommandé que le robot parte de la base avant le nettoyage. Cela permet de s'assurer que le robot y retourne en douceur. Ne déplacez pas la base durant le nettoyage.

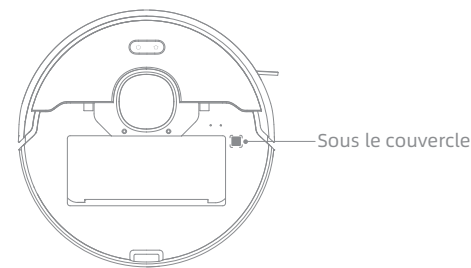
Une fois que le robot a terminé la tâche de nettoyage et revient automatiquement à la base, cette dernière commencera à se vider automatiquement. Vous pouvez effectuer d'autres réglages sur l'APP.

## Connexion avec l'application Mi Home/Xiaomi Home

Ce produit fonctionne avec l'application Mi Home/Xiaomi Home. Choisissez une pour contrôler votre appareil.

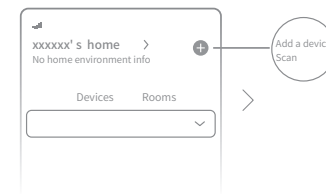
### 1. Téléchargez l'application Mi Home/Xiaomi Home

Scannez le code QR ou recherchez "Mi Home/Xiaomi Home" dans la boutique d'applications pour le télécharger et l'installer.



### 2. Ajouter un appareil

Ouvrez l'application Mi Home/Xiaomi Home app, appuyez sur "+" en haut à droite, et scannez à nouveau le code QR ci-dessus pour ajouter "Dreame Bot D10 Plus". Suivez les instructions pour réussir la connexion Wi-Fi.

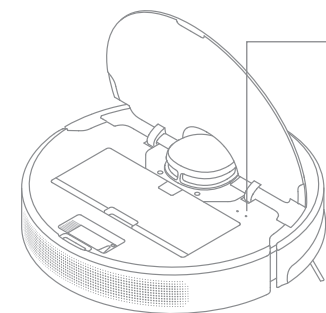


#### Remarque :

- Seul le Wi-Fi 2,4GHz est pris en charge.
- La version de l'application pourrait avoir été mise à jour. Suivez les instructions en fonction de la version actuelle de l'application.

### 3. Réinitialiser le Wi-Fi

Maintenez simultanément les touches et enfoncées jusqu'à ce que vous entendiez le message « En attente de la configuration réseau ». Lorsque le voyant du Wi-Fi clignote lentement, le Wi-Fi a été réinitialisé avec succès.



#### Indicateur de Wi-Fi



- Clignote lentement : En recherche de connexion
- Clignote rapidement : connexion en cours
- Fixe : Wi-Fi connecté

Remarque : lorsque votre portable ne parvient pas à se connecter au robot, réinitialisez le Wi-Fi et ajoutez à nouveau l'appareil.




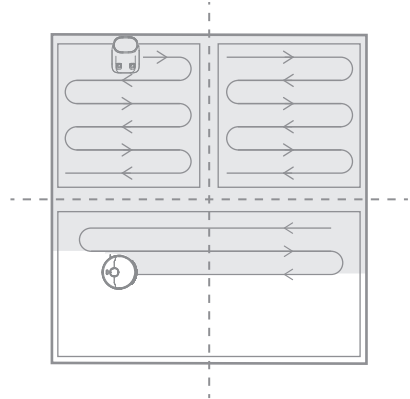
## Mode d'utilisation

### 1. Marche/arrêt

Appuyez sur le bouton  et maintenez-le enfoncé pendant 3 secondes pour allumer le robot. Lorsque le voyant d'alimentation devient blanc, le robot est en mode veille. Pour éteindre le robot, appuyez sur le bouton  pendant 3 secondes lorsque le robot est à l'arrêt.

### 2. Commencer le nettoyage

Appuyez brièvement sur le bouton  pour mettre le robot en marche. Une fois activé, le robot tracera un itinéraire précis, nettoiera méthodiquement les bords et les murs, puis terminera en nettoyant chaque pièce en forme de S pour assurer un travail minutieux.



### 3. Mode nettoyage

Quatre modes de nettoyage sont disponibles sur l'application Mi Home/ Xiaomi Home : silence, standard, fort et turbo. Le mode Standard est défini par défaut.

### 4. Pause/Mode Veille


**Pause :** Appuyez sur n'importe quel bouton pour suspendre le nettoyage du robot.

**Mode veille :** Le robot passera automatiquement en mode Veille après 10 minutes d'inactivité, puis les voyants d'alimentation et de charge s'éteindront. Pour réveiller le robot, appuyez sur n'importe quel bouton.

Remarque :

- Le robot s'éteint automatiquement s'il reste en mode veille pendant plus de 12 heures.
- Lorsque le robot est en pause, vous mettez fin au nettoyage en cours si vous le replacez sur la base.

### 5. Mode Nettoyage Local

Lorsque le robot est en pause ou en mode veille, appuyez sur le bouton  pendant 3 secondes pour activer le mode Nettoyage Local. Dans ce mode, il nettoiera une surface carrée (1,5 x 1,5 m) autour de lui. Une fois le nettoyage local terminé, le robot retourna automatiquement à sa position initiale et s'éteindra.

Remarque : L'activation du mode Nettoyage Local mettra fin au nettoyage en cours du robot.

### 6. Plus de fonctionnalités concernant l'APP

L'application peut être utilisée pour mettre en place des fonctions avancées telles que le nettoyage d'une pièce sélectionnée, le nettoyage d'une zone, l'interdiction d'approcher une zone/mur virtuel, etc.

Remarque :

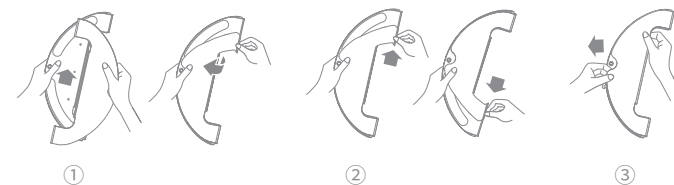
- Suivez les instructions sur l'interface de l'APP pour utiliser plus de fonctions.
- La version de l'application pourrait avoir été mise à jour, veuillez suivre les instructions de la version actuelle de l'application.

## Mode d'utilisation

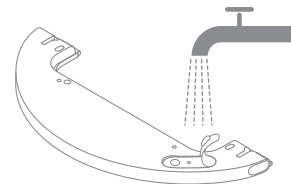
### 7. Utilisation de la fonction de serpillière

Il est recommandé de passer l'aspirateur au moins trois fois sur tous les sols avant la première session de nettoyage afin d'obtenir un meilleur effet de nettoyage.


1) Humidifiez la serpillière et essorez de l'eau. Insérez-la dans la fente du réservoir d'eau comme indiqué sur la figure, et collez fermement la serpillière.

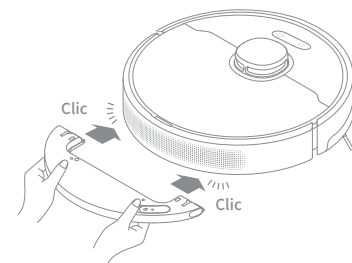


2) Ouvrez le couvercle du réservoir d'eau, remplissez le réservoir avec de l'eau, puis fermez bien le couvercle.



Remarque : N'utilisez pas de produits de nettoyage ou de désinfectants.

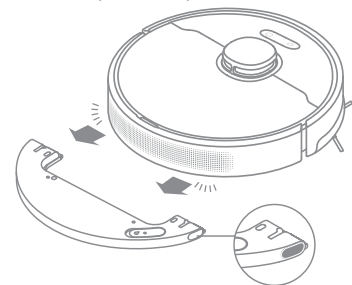
3) Alignez le module de nettoyage en suivant la flèche, puis faites-le glisser à l'arrière du robot jusqu'à ce que vous entendiez le clic. Appuyez sur le bouton  ou utilisez l'application pour commencer le nettoyage.



Remarque :

- Il n'est pas recommandé d'utiliser la fonction de nettoyage sur les moquettes.
- Utilisez l'application pour ajuster le débit d'eau selon vos besoins.

4) Appuyez sur les deux clips latéraux vers l'intérieur et faites glisser le réservoir d'eau vers l'arrière pour le séparer du robot.

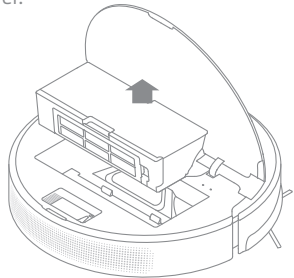


Remarque : Lorsque le robot est en train de se charger ou n'est pas en cours d'utilisation, retirez le module de nettoyage, videz toute l'eau restante du réservoir et nettoyez la serpillière pour éviter toute moisissure ou odeur persistante.

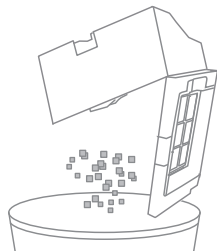
## Maintenance de routine

### Collecteur à poussière \* Nettoyez-le après chaque utilisation

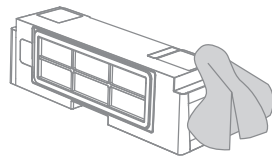
1. Ouvrez le couvercle du robot, puis pincez les clips du collecteur à poussière pour le retirer.



2. Ouvrez le couvercle du collecteur et videz-le comme indiqué sur le schéma.

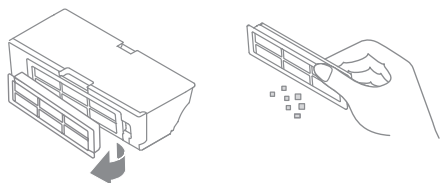


3. Nettoyer l'entrée de poussière

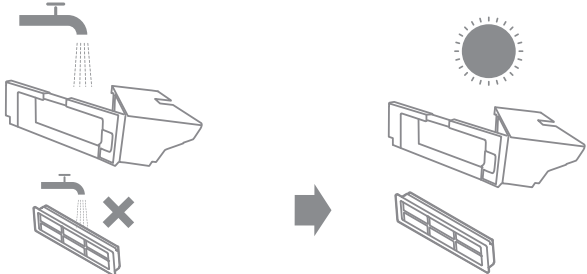


### Filtre

1. Retirez le filtre et tapez doucement sur son panier.



2. Ne lavez pas le filtre. Seul le collecteur à poussière est lavable. Séchez-le soigneusement avant de le réinstaller.



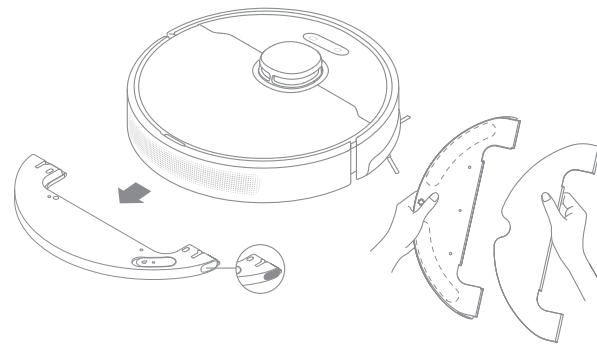
#### Remarque :

- N'essayez pas de nettoyer le filtre avec une brosse ou vos doigts.
- Rincez le collecteur à poussière à l'eau propre uniquement. N'utilisez pas de détergent.
- N'utilisez le collecteur à poussière que lorsqu'ils sont complètement secs.
- Veuillez nettoyer le filtre toutes les deux semaines et de le remplacer tous les trois mois.

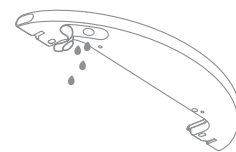
## Maintenance de routine

### Module de nettoyage

1. Appuyez sur les deux clips de dégagement situés du côté du réservoir d'eau, retirez le module de lavage et retirez la serpillière du module de lavage.

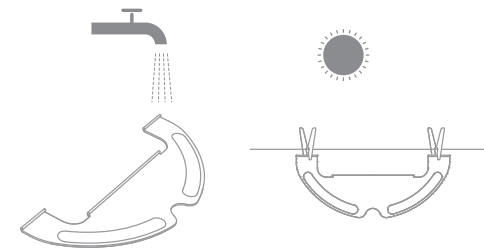


2. Videz l'eau restante du réservoir d'eau et laissez-le sécher naturellement avant de le réinstaller.



Remarque : Ne pas exposer le réservoir directement au soleil.

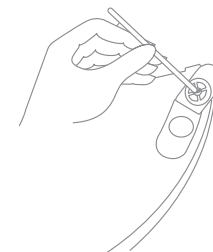
3. Nettoyez la serpillière, puis séchez-la.



#### Remarque :

- Retirez la serpillière du module de lavage avant de la nettoyer et assurez-vous que l'eau sale ne retourne pas vers la sortie d'eau afin d'éviter tout colmatage.
- Pour des performances optimales, il est recommandé de remplacer la serpillière tous les 3 à 6 mois.

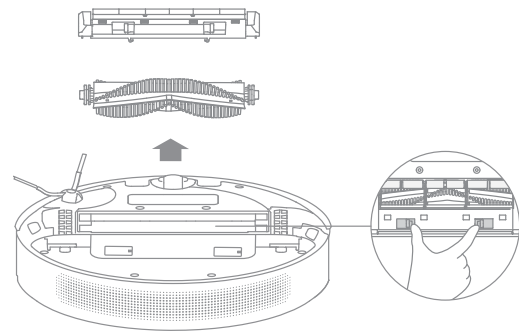
4. Si vous remarquez que l'eau coule lentement ou que le volume n'est pas bien distribué, veuillez nettoyer le trou d'aération sur le couvercle du réservoir d'eau.



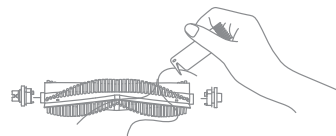
## Maintenance de routine

### Nettoyez la brosse principale

Appuyez sur les clips de protection de la brosse vers l'intérieur pour retirer la protection de la brosse et faites sortir la brosse du robot.



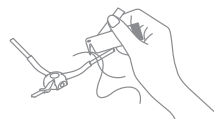
Sortez les protections de la brosse comme indiqué sur l'illustration. Utilisez l'outil de nettoyage fourni pour enlever les poils coincés sur la brosse.



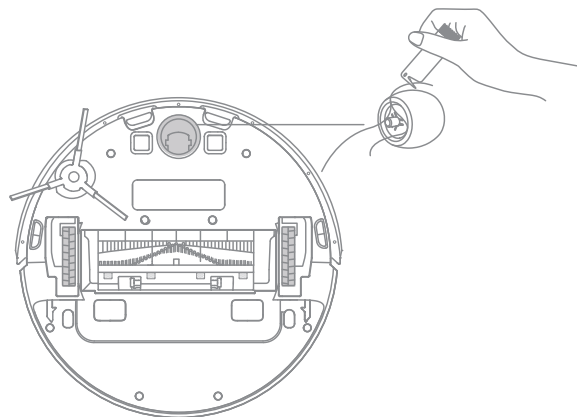
**Remarque :** Ne tirez pas trop fort sur les cheveux emmêlés dans la brosse. Sinon, la brosse principale risque d'être endommagée.

### Nettoyer la brosse latérale

Sortez les brosses latérales et utilisez l'outil de nettoyage fourni pour retirer les poils emmêlés sur la brosse.



### Nettoyez la roue principale et la roue universelle

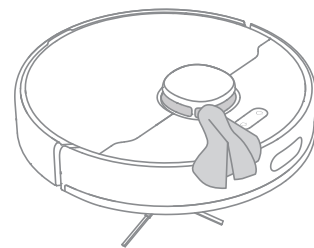


**Remarque :** Utilisez un outil tel qu'un petit tournevis pour séparer l'essieu et le pneu de la roue universelle. Ne le faites pas de force brute.

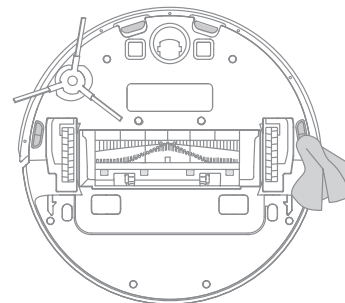
## Maintenance de routine

**Remarque :** Veuillez utiliser un torchon sec pour le nettoyage, l'eau pouvant endommager certains éléments sensibles à l'intérieur du robot et de la base.

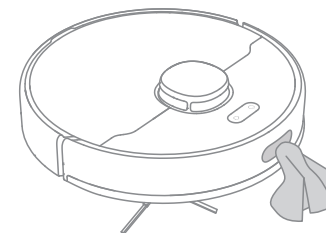
### Nettoyez le capteur de distance laser



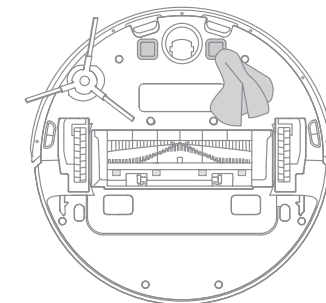
### Nettoyer le capteur de chute



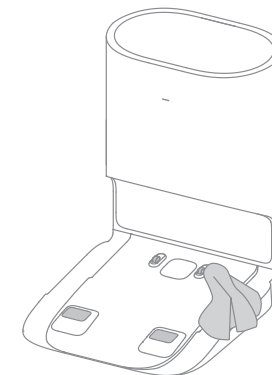
### Nettoyez le capteur de retour à la base



### Nettoyez le contact de charge



### Nettoyer les contacts de charge et l'entrée des poussières

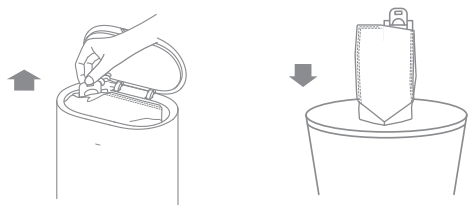


## Maintenance de routine

### Remplacer le sac à poussière

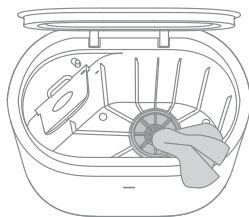
Selon l'indicateur d'état (orange clignotant) et les invites de l'application, remplacez-le par un nouveau lorsque le sac à poussière est plein. Il est recommandé de remplacer le sac toutes les 4 à 6 semaines.

1. Jetez le sac à poussière

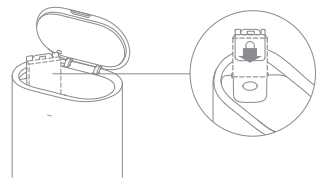


**Remarque :** lorsque vous sortez le sac à poussière, fermez la poignée du sac pour éviter que la poussière ne s'échappe.

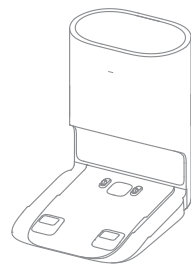
2. Essuyez le filtre avec un chiffon sec



3. Installer un nouveau sac à poussière



4. Fermez le couvercle supérieur de la base auto-vidéuse



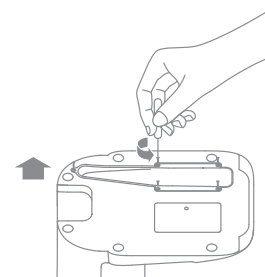
**Remarque :** Ne fermez pas la base avec force, si le sac à poussière n'est pas installé et le couvercle supérieur de la base ne peut pas être fermé.

## Maintenance de routine

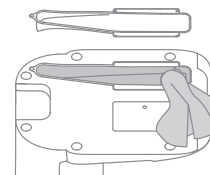
### Nettoyer le conduit d'air

Si le conduit d'air est bloqué, veuillez le nettoyer en suivant les étapes suivantes.

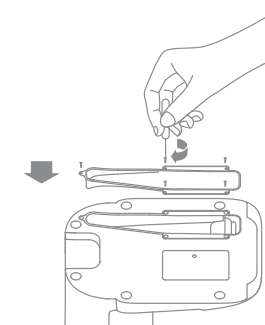
1. Dévissez les vis de fixation du couvercle du conduit d'air et retirez la plaque de couverture.





2. Vérifiez si le conduit d'air est bloqué par des objets étrangers. S'il y en a, nettoyez-les.



3. Réinstallez le couvercle du conduit d'air comme indiqué sur l'illustration.



### Redémarrage du robot

Si le robot ne répond plus ou s'il est impossible de l'éteindre, appuyez sur le bouton  pendant 10 secondes pour forcer la mise hors tension. Après cela, appuyez sur le bouton  pendant 3 secondes pour rallumer le robot.

### Batterie

Le robot contient une batterie lithium-ion haute performance. Veuillez vous assurer qu'il reste bien chargé pendant l'utilisation quotidienne pour garantir une performance optimale de la batterie. Si le robot n'est pas utilisé pendant une longue période, éteignez-le et rangez-le. Afin qu'il ne soit pas endommagé en raison d'une décharge excessive, le robot doit être rechargé au moins une fois tous les trois mois.

Le tableau suivant énumère les causes et les solutions possibles en fonction des différents états lumineux. Pour plus d'informations, veuillez vous référer à la section "FAQ" de ce manuel.

État de lumière	Cause possible	Solution
Désactivé	Sans l'alimentation électrique	Vérifiez et assurez-vous que l'alimentation électrique de la base est normale.
	Le robot en période de DND Le robot avec une charge complète en mode veille	/
Blanc	Le robot n'est pas sur la base	/
Respiration blanche	Le robot en charge	/
Clignotant orange	Erreur	Vérifiez si un sac à poussière est installé. Si ce n'est pas le cas, installez-en un. Vérifiez si le sac à poussière est installé.
		Vérifiez si le couvercle supérieur est fermé. Si ce n'est pas le cas, fermez bien le couvercle supérieur.
		Vérifiez si le sac est plein. Si c'est le cas, remplacez-le. Enlevez les débris autour de l'entrée de poussière du robot et de la base.
		Débranchez le câble d'alimentation de la base, et vérifiez si des objets étrangers bloquent le couvercle du conduit d'air. S'il y en a, nettoyez-les.
		Vérifiez si le collecteur à poussière du robot est installée. Pour toute autre erreur, contactez des techniciens qualifiés ou le service après-vente.

Type de problème	Solution
Le robot ne s'allume pas	Le niveau de la batterie est faible. Rechargez le robot à la base, puis réessayez. La température ambiante est trop basse (inférieure à 0 ° C) ou trop élevée (supérieure à 40 ° C). La température de fonctionnement du robot est entre 0 ° C et 40 ° C.
Le robot ne charge pas	La base ne reçoit pas de courant. Veuillez vérifier que les deux extrémités du câble d'alimentation sont correctement branchées. Mauvais contact. Nettoyez les contacts de chargement de la base et du robot.
Le robot ne peut pas retourner à la base	Il y a trop d'obstructions autour de la base. Placez la base dans une zone plus ouverte. Veuillez nettoyer la zone de signalisation de la base. Si vous déplacez le robot, il risque de se repositionner ou de re-cartographier son environnement. Si le robot est trop éloigné de la base, il peut ne pas pouvoir revenir automatiquement de lui-même, auquel cas vous devez placer manuellement le robot sur la base.
Le robot ne fonctionne pas correctement	Éteignez-le robot, puis rallumez-le.
Le robot émet un bruit étrange	Un objet étranger est probablement coincé dans la brosse principale, la brosse latérale ou l'une des roues principales. Arrêtez le robot et enlevez les débris.
Le robot ne nettoie plus correctement ou n'élimine pas toute la poussière	Le collecteur à poussière est plein. Veuillez nettoyer collecteur à poussière et la prise de poussière. Le filtre est bloqué. Veuillez le nettoyer. Un objet étranger est coincé dans la brosse principale. Veuillez la nettoyer.

Type de problème	Solution
Le robot ne peut pas se connecter au Wi-Fi	<p>Un problème avec la connexion Wi-Fi est survenu. Réinitialisez le Wi-Fi et téléchargez la dernière version de l'application Mi Home/Xiaomi Home, puis essayez de vous reconnecter.</p> <p>Le système de localisation n'est pas activé. Veuillez vous assurer que le système de localisation de l'application est activé.</p> <p>Le signal Wi-Fi est faible. Assurez-vous que le robot est dans une zone offrant un bon signal Wi-Fi.</p> <p>Le Wi-Fi à 5 GHz n'est pas pris en charge. Veuillez vous assurer que votre robot peut se connecter à un signal Wi-Fi 2,4 GHz.</p> <p>Le nom d'utilisateur ou le mot de passe du Wi-Fi est incorrect. Veuillez vous assurer que le nom d'utilisateur et le mot de passe saisis sont corrects.</p>
Le robot n'effectue pas le nettoyage programmé	Le niveau de batterie du robot est faible. Le nettoyage programmé ne commence pas tant que le robot ne dispose pas d'au moins 15 % de batterie.
Le fait de laisser le robot sur la base consomme-t-il de l'énergie s'il est déjà complètement chargé ?	Laisser le robot sur la base une fois qu'il est complètement chargé consomme très peu d'électricité et permet de maintenir une performance optimale de la batterie.
Il n'y a pas d'eau qui sort du module de serpillière, ou seulement un peu ?	<p>Vérifiez que le réservoir d'eau est rempli et nettoyez la serpillière, le cas échéant.</p> <p>Nettoyez la serpillière si elle est sale.</p> <p>Assurez-vous que la serpillière est bien installée conformément au mode d'emploi.</p> <p>Nettoyez le trou d'air du réservoir d'eau.</p>
Le robot ne reprend pas le nettoyage après la charge	<p>Assurez-vous que le robot n'est pas en mode Ne pas déranger, car cela l'empêcherait de reprendre le nettoyage.</p> <p>Le robot ne reprend pas le nettoyage lorsqu'il est rechargé manuellement ou placé sur la base.</p>

Type de problème	Solution
Le robot retourne sur la base sans effectuer de tâches de dépoussiérage	Le mode "Ne pas déranger" empêche le robot d'effectuer automatiquement des tâches de dépoussiérage.
Le sac à poussière est plein	Vérifiez si le sac à poussière est plein. Si c'est le cas, remplacez-le par un nouveau. Il est recommandé de remplacer le sac toutes les 4 à 6 semaines. Si ce n'est pas le cas, vérifiez si l'entrée de poussière ou le conduit d'air au fond de la base est bloqué. Enlevez tout blocage avant l'utilisation.
La durée de dépoussiérage peut parfois être inacceptablement longue	Lorsque le robot a effectué des tâches de dépoussiérage pendant un certain temps, ou lorsque le conduit d'air ne fonctionne pas correctement, la durée de dépoussiérage sera prolongée pour éviter tout blocage.
Le couvercle supérieur de la base ne peut pas être fermé	Vérifiez si un sac à poussière est installé. Si ce n'est pas le cas, installez-en un.

## Robot

Modèle	RLS3D
Batterie	5200 mAh (Capacité nominale de la batterie)
Temps de Charge	Environ 6 heures
Connectivité sans fil	Wi-Fi IEEE 802.11b/g/n 2,4 GHz
Compatible avec	Android 4.4/iOS 10.0 ou version ultérieure
Tension nominale	14,4 V ---
Puissance nominale	46 W
Fréquence de fonctionnement	2400-2483,5 MHz
Puissance maximale en sortie	< 20 dBm

## Base auto-videuse

Modèle	RCS7
Entrée nominale	120 V ~ 50-60 Hz 4 A
Sortie nominale	19,8 V --- 1 A

Dans des conditions normales d'utilisation, une distance d'au moins 20 cm entre l'antenne de cet équipement et le corps de l'utilisateur doit être maintenue.

## Información de Seguridad

## INSTRUCCIONES IMPORTANTES DE SEGURIDAD

Cuando utiliza un aparato eléctrico, siempre debe seguir las precauciones básicas, incluidas las siguientes:

LEA TODAS LAS INSTRUCCIONES ANTES DE USAR (ESTE APARATO), El incumplimiento de las advertencias e instrucciones puede provocar descarga eléctrica, incendio y/o lesiones graves.

## GUARDE ESTAS INSTRUCCIONES

Solo para uso doméstico.

**ADVERTENCIA** -Para reducir el riesgo de incendio, descarga eléctrica o lesiones:

- No lo utilice al aire libre o sobre superficies mojadas.
- No permita que se utilice como un juguete. Debe prestar mucha atención cuando se utiliza cerca de niños, mascotas o plantas.
- Use únicamente como se describe en este manual. Sólo utilice los accesorios recomendados por el fabricante.
- No lo utilice con el cable o enchufe dañado. Si el aparato no funciona correctamente, se ha caído, dañado, dejado al aire libre o sumergido en agua, remítalo a un centro de servicio.
- No tire ni transporte agarrando el cable, no use el cable como asa, no cierre puertas encima del cable ni pase el cable por bordes o esquinas afiladas. No pase el aparato por encima del cable. Mantenga el cable alejado de superficies calientes.
- No desenchufe tirando del cable. Para desenchufar, agarre el enchufe, no el cable.
- No manipule el cargador, el enchufe del cargador y los terminales del cargador con las manos mojadas.
- No coloque ningún objeto en las aberturas. No lo utilice si tiene alguna abertura bloqueada; manténgalo libre de polvo, pelusas, cabello y cualquier material que pueda reducir el flujo de aire.

## Información de Seguridad

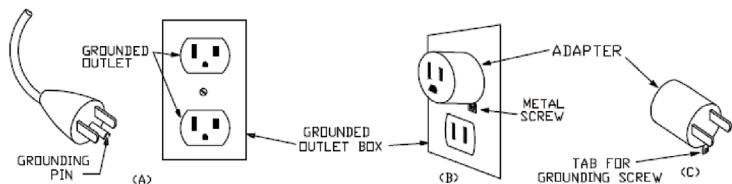
- Mantenga el cabello, la ropa holgada, los dedos y todas las partes del cuerpo alejados de las aberturas y las piezas móviles.
- No lo use para limpiar líquidos inflamables o combustibles, como gasolina, ni lo use en zonas donde puedan estar presentes.
- No limpie nada que se esté quemando o humeando, como cigarrillos, cerillas o cenizas calientes.
- No lo utilice sin la bolsa para el polvo.
- Evite el encendido involuntario. Asegúrese de que el interruptor esté apagado antes de conectarlo a la batería, levantarlo o transportarlo. Transportar el aparato con el dedo apoyado en el interruptor o energizar el aparato con el interruptor encendido puede causar accidentes.
- No utilice ni guarde el aparato en ambientes extremadamente calientes o fríos (debajo de 0°C/32 °F o por encima de 40°C/104 °F). Cargue el robot a una temperatura por encima de 0°C/32 °F y 40°C/104 °F.
- Desconecte la batería del aparato antes de realizar cualquier ajuste, cambiar accesorios o almacenar el aparato. Estas medidas preventivas de seguridad reducen el riesgo de encender por accidente el aparato.
- Recargue sólo con el cargador especificado por el fabricante. Un cargador adecuado para un tipo de batería puede provocar riesgo de incendio si se utiliza en otra batería.
- Use sus aparatos sólo con las baterías específicamente indicadas. El uso de cualquier otra batería puede provocar riesgo de lesiones e incendio.
- Cuando la batería no esté en uso, manténgala alejada de objetos metálicos, como clips de papel, monedas, llaves, clavos, tornillos u otros objetos metálicos pequeños que pueden provocar la conexión de los terminales. Un cortocircuito en los terminales de la batería puede provocar quemaduras o incendios.
- Bajo condiciones abusivas, puede haber fugas de líquido en la batería; evite el contacto. Si ocurre contacto accidental, enjuague con agua. Si el líquido entra en contacto con los ojos, busque atención médica. El líquido derramado de la batería puede provocar irritación o quemaduras.
- No utilice una batería o un aparato dañado o modificado. Las baterías dañadas o modificadas pueden tener un comportamiento impredecible que resulte en fuego, explosión o lesiones.

## Información de Seguridad

- No exponga una batería o un aparato al fuego ni a temperaturas excesivas. La exposición al fuego o una temperatura superior a 130°C puede provocar explosiones.
- Siga todas las instrucciones de carga y no cargue la batería o el aparato fuera del rango de temperatura indicado en las instrucciones. La carga incorrecta o a temperaturas fuera del rango indicado puede dañar la batería y aumentar el riesgo de incendio.
- Remita el servicio a un técnico calificado que utilice únicamente idénticas piezas de repuesto. Esto asegurará que se mantenga la seguridad del producto.
- No modifique ni intente reparar el aparato o la batería, excepto de la forma indicada en las instrucciones de uso y cuidado.
- Coloque los cables de otros aparatos fuera de la zona que va a limpiar.
- No opere la aspiradora en una habitación en la que duerme un bebé o un niño.
- No opere la aspiradora en una zona con velas encendidas u objetos frágiles en el suelo.
- No opere la aspiradora en una habitación con velas encendidas encima de aquellos muebles que la aspiradora pueda golpear accidentalmente.
- No permita que los niños se sienten encima de la aspiradora.
- No utilice la aspiradora sobre superficies húmedas.
- Usar sólo con la unidad de alimentación RCS7.
- Desenchúfelo antes de limpieza o mantenimiento.
- Este aparato es para uso en un circuito nominal de 120V y tiene un enchufe de conexión a tierra igual que el enchufe ilustrado en el dibujo A en la Figura 20. Asegúrese de que el aparato esté conectado a un tomacorriente con la misma configuración que el enchufe. No se debe utilizar un adaptador con este aparato.



## Información de Seguridad



Este dispositivo cumple con la Parte 15 de la Normativa FCC / RSS exentos de licencia de Canadá para la innovación, la ciencia y el desarrollo económico. Su operación queda sujeta a las dos condiciones siguientes: (1) este dispositivo no deberá causar ninguna interferencia nociva. (2) este dispositivo deberá aceptar cualquier interferencia que reciba, incluyendo toda interferencia que pueda causarle un funcionamiento no deseado.

Recordatorio en relación con la máxima exposición admisible (MPE)

A fin de cumplir con los requisitos de FCC / IC en materia de exposición a la radiofrecuencia, se deberá mantener una distancia mínima de 20 cm o más entre la antena de este dispositivo y cualquier persona durante el funcionamiento. A fin de garantizar dicho cumplimiento, no se recomienda la utilización a una distancia inferior a la indicada.

Para desactivar el módulo Wi-Fi en robot, por favor encienda el robot. Coloque el robot en la Tomacorriente de Carga. Asegúrese de que los Contactos de Carga del robot y los pines de la Tomacorriente de Carga estén conectados. Mantenga presionando el Botón de Tomacorriente del robot durante 20 segundos hasta que el módulo Wi-Fi se apague. Al apagar el módulo Wi-Fi, presione cualquier botón del robot para activar el módulo Wi-Fi.

— —	Corriente continua
~	Corriente alterna

Este dispositivo cumple con las normas de radiación del DHHS, título 21 del CFR, capítulo 1, subcapítulo J.

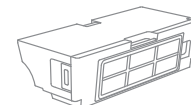
## Descripción general del producto

### Accesorios

#### Accesorios preinstalados



Cepillo principal



Depósito de polvo

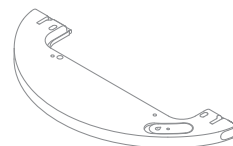


Herramienta de limpieza

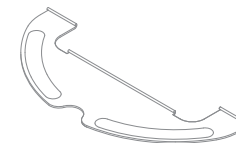


Bolsa recolectora de polvo x2  
(1 pre-instaladas)

#### Otros accesorios



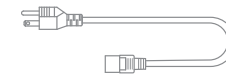
Depósito de agua



Mopa

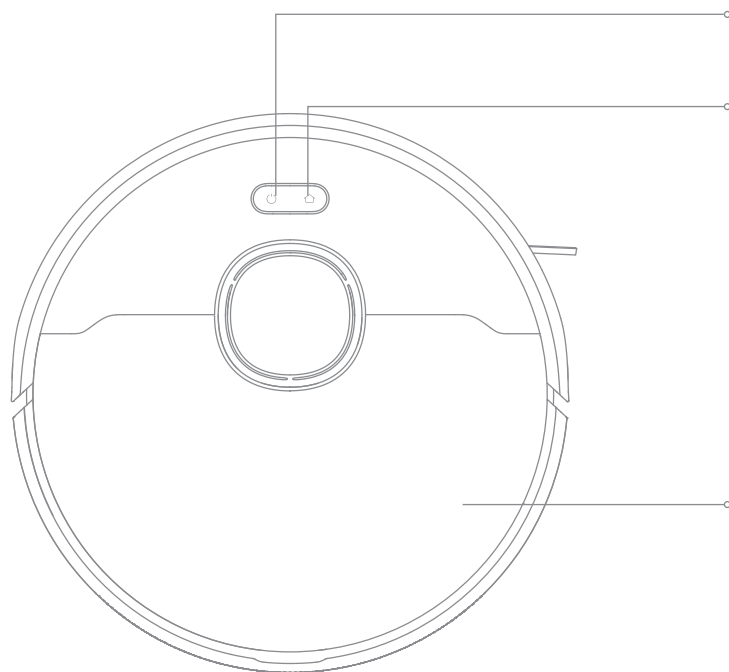


Cepillo lateral



Cable de alimentación

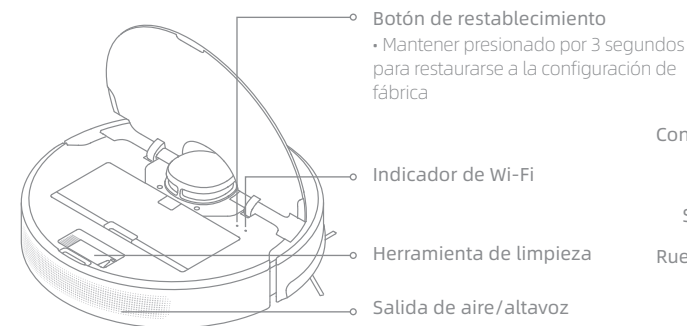
Robot



- **Botón de encendido/limpieza**
  - Botón de encendido/apagado: Mantener presionado por 3 segundos
  - Después de encender el robot, pulsar para iniciar la limpieza
- **Botón de Regreso a la Base / Botón Limpieza Localizada**
  - Presionar para enviar el robot de vuelta a la base de vaciado automático
  - Presione brevemente para iniciar el Modo de Limpieza Localizada
- **Indicador de estado**
  - **Blanco:** Limpiando o limpieza completada
  - **Naranja intermitente:** Error
  - **Blanco Respirado:** El robot se está cargando cuando el nivel de la batería no está bajo

○ Tapa

Robot

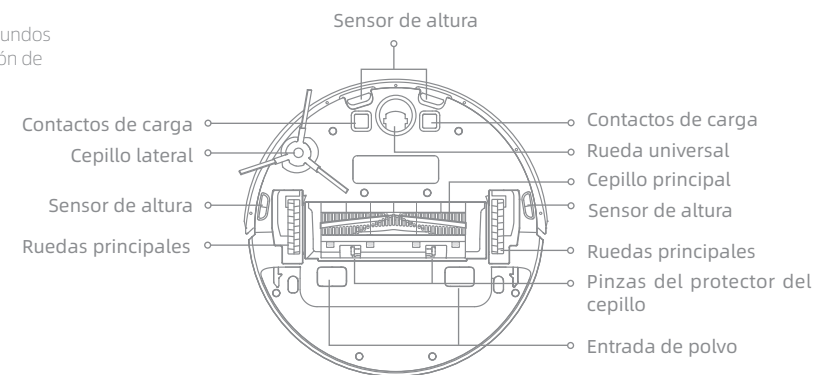


- **Botón de restablecimiento**
  - Mantener presionado por 3 segundos para restaurarse a la configuración de fábrica

○ Indicador de Wi-Fi

○ Herramienta de limpieza

○ Salida de aire/altavoz



○ Contactos de carga

○ Cepillo lateral

○ Sensor de altura

○ Ruedas principales

○ Sensor de altura

○ Contactos de carga

○ Rueda universal

○ Cepillo principal

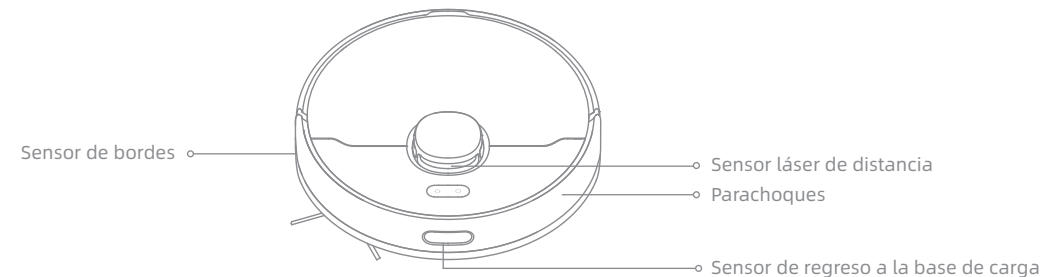
○ Sensor de altura

○ Ruedas principales

○ Pinzas del protector del cepillo

○ Entrada de polvo

Sensores del robot



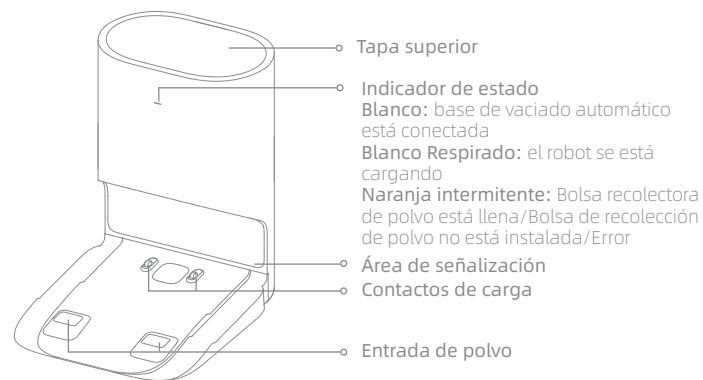
○ Sensor de bordes

○ Sensor láser de distancia

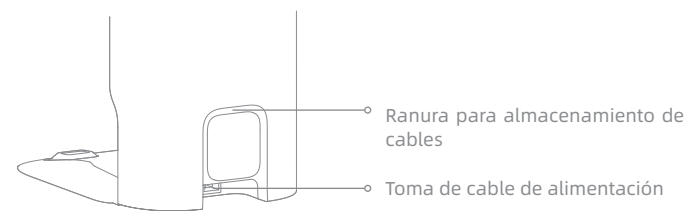
○ Parachoques

○ Sensor de regreso a la base de carga

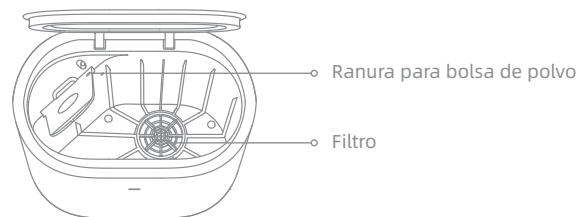
Base de vaciado automático



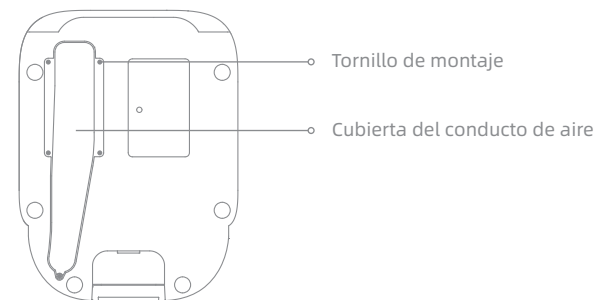
Posterior



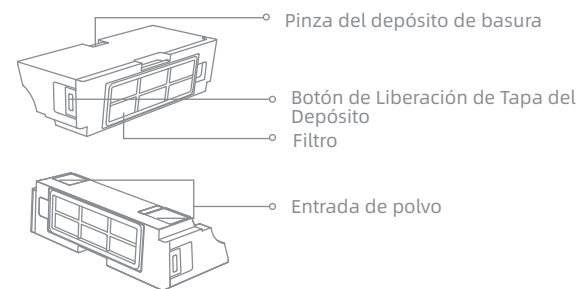
Abra la tapa superior



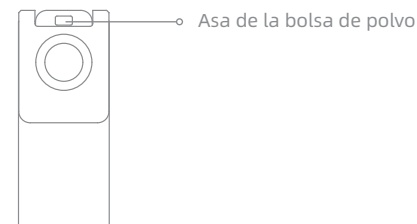
Inferior



Depósito de polvo

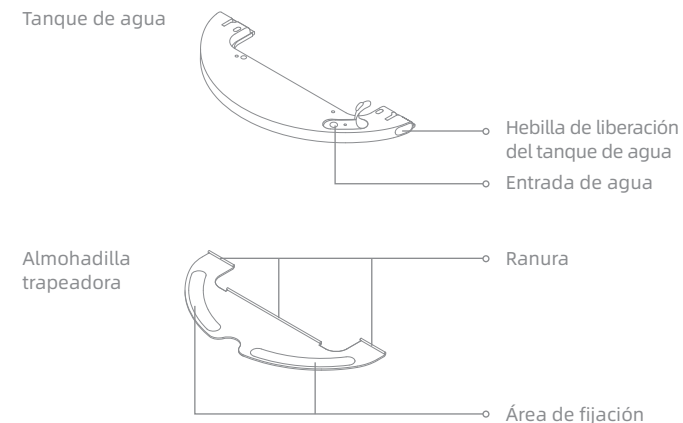


Bolsa recolectora de polvo

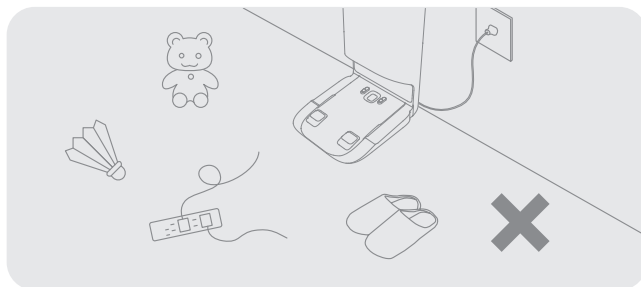


**Nota:** De acuerdo con la configuración de fábrica, se ha instalado una nueva bolsa de recolección de polvo en el interior.

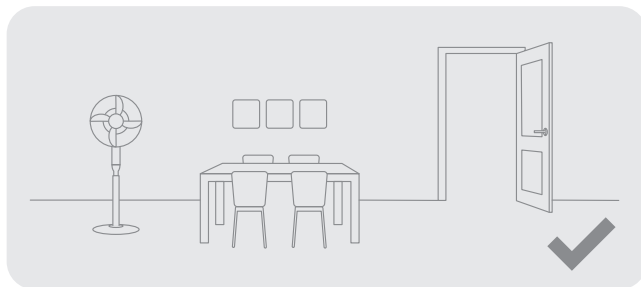
Módulo de fregado



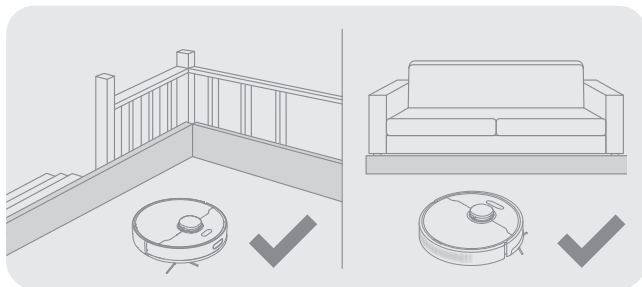
## Ordenar el entorno doméstico



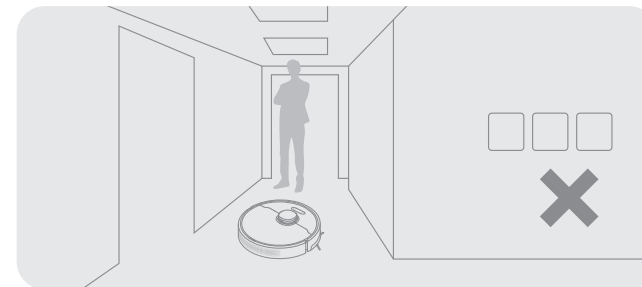
Para mejorar la eficiencia del aspirador robot, guarde los cables sueltos, trapos, pantuflas, juguetes y otros artículos en el suelo.



Abra la puerta de la habitación a limpiar y coloque los muebles en lugar apropiado para hacer más espacio.



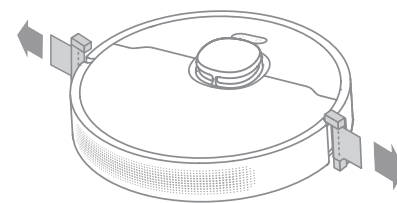
Antes de que empiece a limpiar, utilice la barrera física para los bordes de las escaleras y el sofá para garantizar un funcionamiento seguro y fluido del robot aspirador.



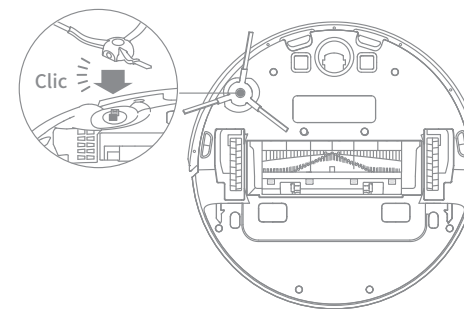
Para evitar que el robot no reconozca el área a limpiar, no se ponga parado delante del robot, en el umbral, el pasillo o lugares estrechos.

## Preparación antes del uso

### 1. Quite las tiras protectoras



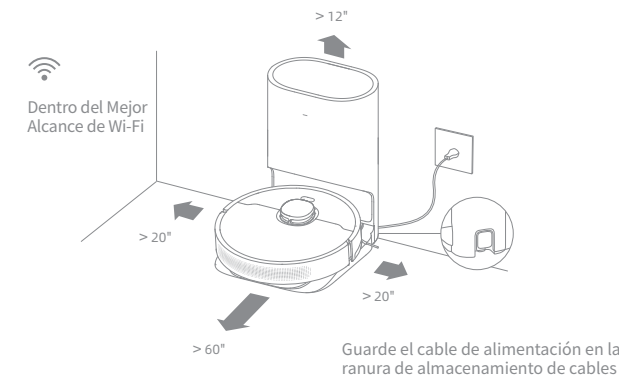
### 2. Instale el cepillo lateral



**Nota:** Instale los cepillos laterales hasta que encajen en su sitio.

### 3. Conéctelo a una toma de corriente

Coloque la base en un suelo nivelado contra la pared y conecte a la fuente de alimentación. Coloque el robot en la base para cargar la batería. El robot se encenderá automáticamente y la batería comenzará a cargar. Se recomienda cargar la batería completamente antes del primer uso.



#### **Nota:**

- Asegúrese de que haya una distancia de 0,5 metros o más por cada lado de la base, y más de 1,5 metros enfrente.
- Asegúrese de que ningún objeto bloquee el área de señalización.

#### **Acerca de la base de vaciado automático**

Se recomienda que el robot parta desde la base para comenzar la limpieza. Esto asegura que el robot regrese a la base sin problemas. No mueva la base mientras el robot está limpiando.

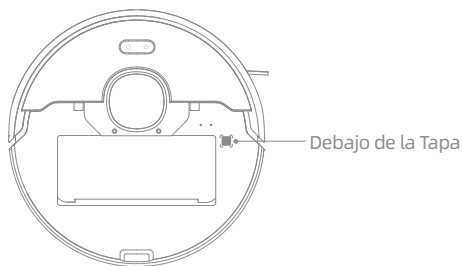
Una vez que el robot completa la tarea de limpieza y vuelve automáticamente a la base, la base comenzará el vaciado automático. Se pueden operar más configuraciones en la aplicación.

## Conectar con la aplicación Mi Home/Xiaomi Home

Este producto funciona con la aplicación Mi Home/Xiaomi Home, que se pueden usar para controlar su dispositivo.

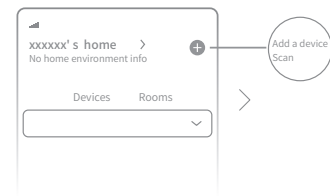
### 1. Descargue la Aplicación Mi Home/Xiaomi Home

Escanee el código QR o busque "Mi Home/Xiaomi Home" en la tienda de aplicaciones para descargarla e instalarla.



### 2. Añadir dispositivo

Abra Mi Home/Xiaomi Home app, toque "+" en la esquina superior derecha y escanee el código QR de arriba nuevamente para agregar "Dreame Bot D10 Plus". Siga las indicaciones para completar la conexión Wi-Fi.

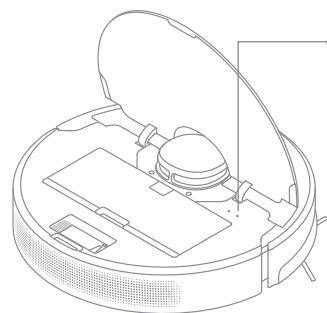


Nota:

- Solo admite Wi-Fi de 2,4 GHz.
- Puede que la versión de la aplicación se haya actualizado, siga las instrucciones específicas de la versión actual.

### 3. Restablecer Wi-Fi

Mantenga presionados simultáneamente los botones y hasta que escuche: «Esperando configuración de red». Cuando el indicador parpadee lentamente, el Wi-Fi se habrá restablecido correctamente.



Indicador del Wi-Fi

- Parpadea lentamente: Esperando conexión
- Parpadea rápidamente: Conectando
- Encendido: Wi-Fi conectado

Nota: Cuando el teléfono no se conecte correctamente al robot, reinicie el Wi-Fi y añada de nuevo el dispositivo.

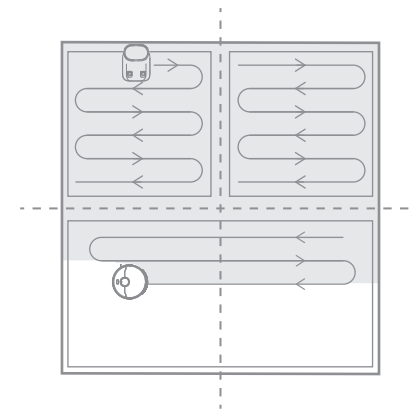
## Modo de uso

### 1. Encender/apagar

Mantenga presionado el botón durante 3 segundos para encender el robot. Una vez que el indicador de encendido se vuelva completamente blanco, el robot entrará en modo de espera. Para apagar el robot, mantenga presionado el botón durante 3 segundos mientras esté parado.

### 2. Comenzar Limpieza

Presione el botón brevemente para encender el robot. Tras la activación, el robot diseñará con precisión una ruta, limpiará metódicamente a lo largo de los bordes y las paredes, luego terminará limpiando cada habitación en un patrón en forma de S para garantizar una limpieza completa.



### 3. Modo de limpieza

En la aplicación Mi Home/Xiaomi Home hay cuatro modos de limpieza disponibles: Tranquilo, Normal, Fuerte y Turbo. El modo predeterminado es el estándar.

### 4. Pausar/Modo Suspensión

**Pausar:** presione cualquier botón para pausar el robot durante la limpieza.

**Modo Suspensión:** el robot activará automáticamente el modo Suspensión tras 10 minutos de inactividad. A continuación, se apagarán los indicadores de energía y de carga. Para volver a activar el robot, presione cualquier botón.

Nota:

- El robot se apagará automáticamente si se mantiene en modo Suspensión durante más de 12 horas.
- Cuando el robot esté parado, colocarlo en la base finalizará la tarea de limpieza actual.

### 5. Modo Limpieza localizada

Cuando el robot con almohadilla trapeadora esté en modo de espera o en pausa, mantenga presionado el botón durante 3 segundos para activar el modo Limpieza de Manchas. En este modo, se limpiará una zona cuadrada de 1,5 x 1,5 metros alrededor del robot. Cuando termine la limpieza de las manchas, el robot regresará automáticamente a su ubicación original y se apagará.

Nota: Activar el modo Limpieza de manchas finalizará la tarea de limpieza actual.

### 6. Más Funciones de la aplicación

La aplicación se puede usar para configurar funciones avanzadas como limpieza selectiva de habitación, limpieza zonificada, limpieza de áreas restringidas/pared virtual, etc.

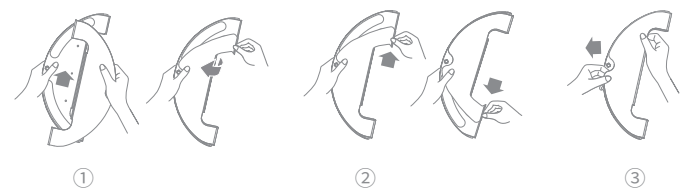
Nota:

- Siga las instrucciones de la interfaz de la aplicación para usar más funciones.
- Puede que la versión de la aplicación se haya actualizado, siga las instrucciones específicas de la versión actual.

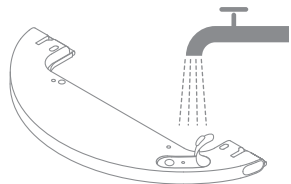
### 7. Usar la función de fregado

Para obtener un mejor resultado de limpieza, se recomienda aspirar todos los suelos al menos tres veces antes de la primera sesión de fregado.


1) Humedezca la almohadilla trapeadora y exprima el agua excesa. Inserte la almohadilla trapeadora en la ranura del tanque de agua como se muestra en la figura y apriétela firmemente.

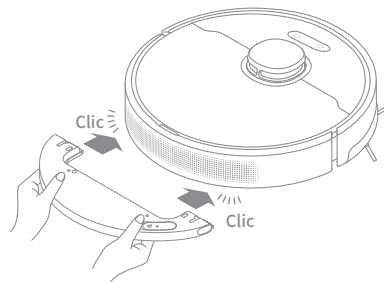


2) Abra la tapa del depósito de agua, rellénelo y cierre la tapa de forma segura.



**Nota:** No utilice detergentes ni desinfectantes.

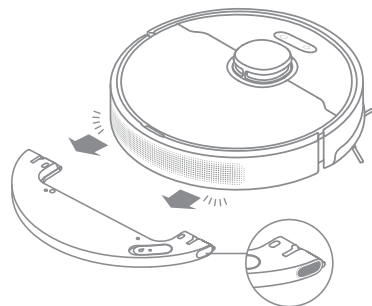
3) Inserte el módulo de fregado en paralelo, como indica la flecha, y deslícelo en la parte trasera del robot hasta que encaje. Pulse el botón , o puede utilizar la aplicación Mi Home/Xiaomi Home para empezar la limpieza.



**Nota:**

- No se recomienda usar la función de fregado en alfombras.
- Use la aplicación para ajustar el flujo de agua.

4) Para retirar el tanque de agua, presione hacia adentro ambos lados y deslice el tanque hacia atrás para separarlo del robot.

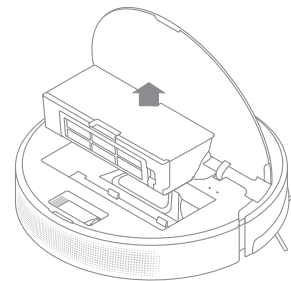


**Nota:** Cuando el robot esté cargándose o no esté en uso, extraiga el módulo de fregado, quite el agua que quede en el depósito y limpie la almohadilla trapeadora para evitar moho y olores persistentes.

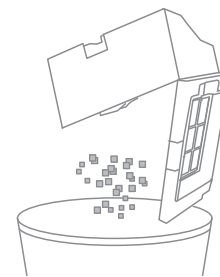
## Mantenimiento rutinario

### Depósito de polvo \* Limpie después de cada uso

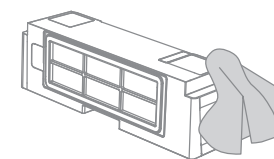
1. Abra la tapa del robot, apriete las pinzas del contenedor de polvo para retirarlo.



2. Abra la tapa del contenedor como indica la ilustración.

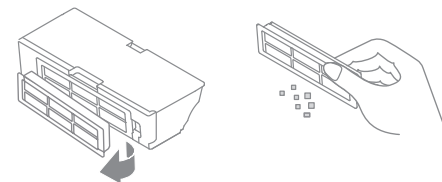


3. Limpie la entrada de polvo

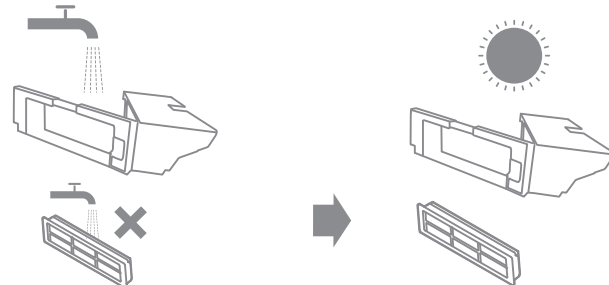


### Filtro

1. Retire el filtro y golpee suavemente su canasta.



2. No lave el filtro. Sólo el depósito de polvo es lavable. Séquelo completamente antes de volver a instalarlo.



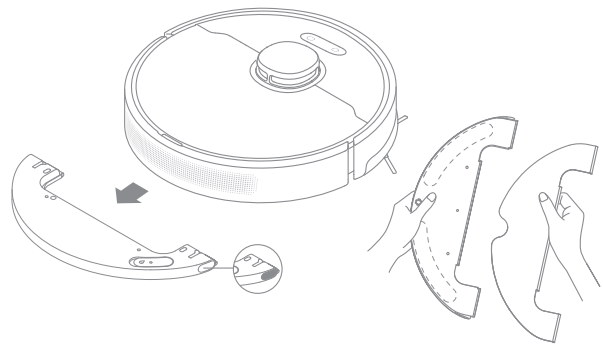
**Nota:**

- No intente limpiar el filtro con un cepillo ni con los dedos.
- Enjuague el depósito de polvo sólo con agua limpia. No use ningún detergente.
- Utilice el depósito de polvo únicamente cuando esté completamente seco.
- Se recomienda limpiar el filtro cada dos semanas y reemplazarlo cada tres meses.

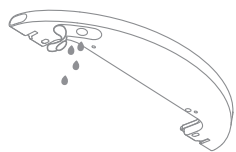
## Mantenimiento rutinario

### Módulo de fregado

1. Presione las pinzas laterales del módulo de fregado y tire para extraer el módulo. Tire de la almohadilla trapeadora del módulo de fregado para extraerla.

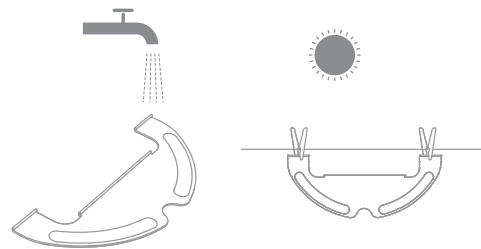


2. Vacíe el agua del tanque de agua. Limpie solo con agua y deje secar al aire antes de volver a instalarlo.



**Nota:** No exponga el tanque directamente al sol.

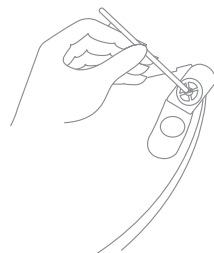
3. Limpie la almohadilla trapeadora solo con agua y deje secar al aire antes de volver a instalarla.



#### Nota:

- Extraiga la almohadilla trapeadora del módulo de fregado antes de limpiarla. Asegúrese de que el agua sucia no vuelva a entrar por la salida de agua para que no se obstruya.
- Para un rendimiento óptimo, recomendamos cambiar cada 3 o 6 meses.

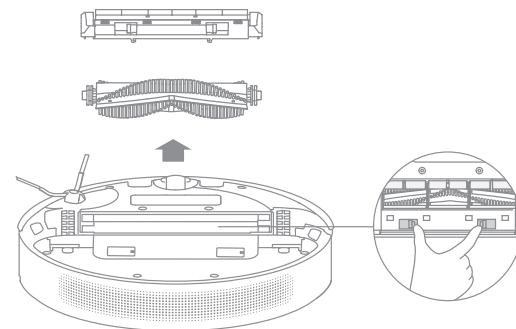
4. Si el flujo de agua es lento, o el volumen no está bien distribuido, limpie el orificio ventilador de la tapa del tanque de agua.



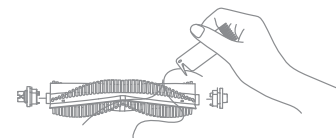
## Mantenimiento rutinario

### Limpiar el cepillo principal

Presione la cubierta del cepillo hacia dentro para retirarla y eleve el cepillo para sacarlo del robot.



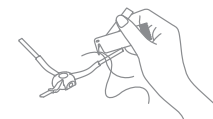
Extraiga las cubiertas de los cepillos como se indica en el diagrama. Use la herramienta de limpieza incluida para eliminar los pelos enredados en el cepillo.



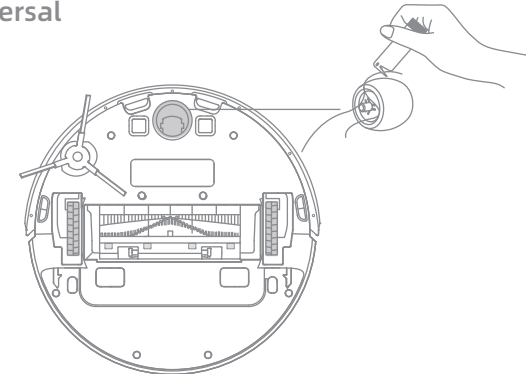
**Nota:** Si hay una gran cantidad de pelos o estos están muy enredados, retírelos cuidadosamente para evitar dañar el cepillo principal.

### Limpiar el cepillo lateral

Saque los cepillos laterales y use la herramienta de limpieza incluida para quitar los pelos en el cepillo.



### Limpiar la rueda principal y la rueda universal

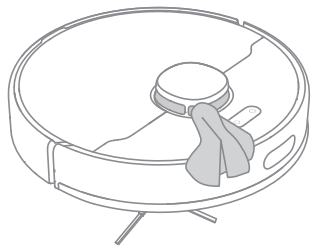


**Nota:** Utilice una herramienta como un destornillador pequeño para separar el eje y el neumático de la rueda universal, no ejerza demasiada fuerza.

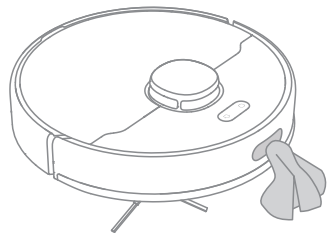
## Mantenimiento rutinario

**Nota:** Use un paño de cocina seco para realizar la limpieza, ya que el robot y la base interna tienen elementos sensibles. No use un paño húmedo para evitar que el agua provoque daños.

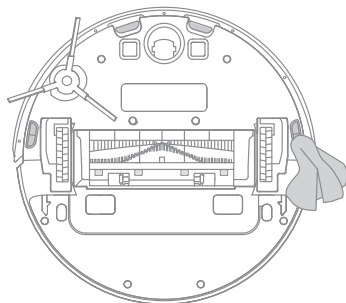
### Limpiar el Sensor láser de distancia



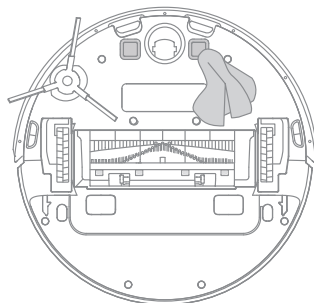
### Limpiar el Sensor de regreso a la base de carga



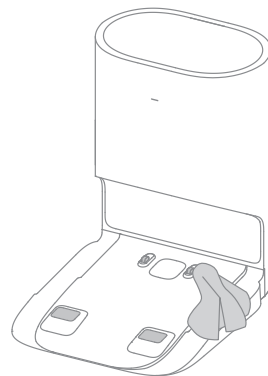
### Limpiar el Sensor de Altura



### Limpiar los contactos de carga



### Limpiar los contactos de carga y la entrada de polvo

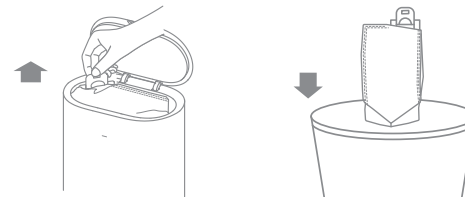


## Mantenimiento rutinario

### Reemplace la bolsa recolectora de polvo

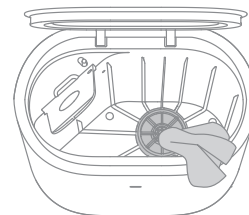
De acuerdo con el indicador de estado (naranja parpadeante) y las indicaciones de la aplicación, reemplace la bolsa recolectora de polvo por una nueva cuando esté llena. Se recomienda reemplazar la bolsa cada 4-6 semanas.

1. Deseche la bolsa recolectora de polvo.

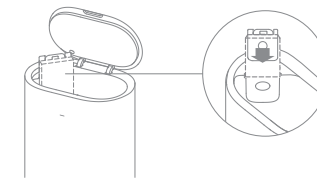


**Nota:** Cuando saque la bolsa recolectora de polvo, cierre el asa de la bolsa para evitar que el polvo se escape.

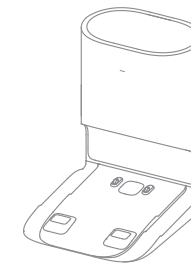
2. Limpie el filtro con un paño seco



3. Instale una nueva bolsa recolectora de polvo.



4. Cierre la tapa superior de la base de vaciado automático.



**Nota:** NO cierre la base a la fuerza si la cubierta superior de la base no se cierra y la bolsa recolectora de polvo no está instalada.

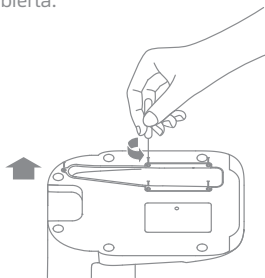


## Mantenimiento rutinario

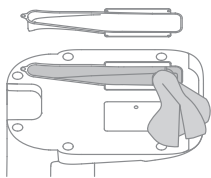
### Limpie el conducto de aire

Si el conducto de aire está bloqueado, límpielo de acuerdo con los siguientes pasos.

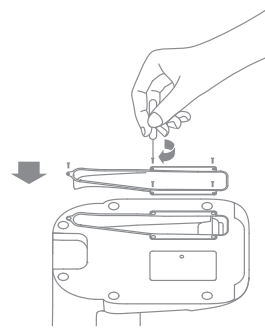
1. Desatornille los tornillos de montaje de la cubierta del conducto de aire y retire la placa de cubierta.





2. Compruebe si el conducto de aire está bloqueado por objetos extraños. Quitelos si los hay.



3. Vuelva a instalar la cubierta del conducto de aire como se muestra en el diagrama.



### Reinicio del robot

Si el robot deja de responder o no se puede apagar, mantenga presionado el botón  durante 10 segundos para apagarlo por fuerza. Después, mantenga presionado el botón  durante 3 segundos para encenderlo de nuevo.

### Batería

El robot contiene una batería de iones de litio de alto rendimiento. Asegúrese de que quede bien cargada durante el uso diario para mantener un rendimiento óptimo. Si el robot no se utiliza durante un largo periodo de tiempo, apáguelo y guárdelo. Para evitar daños por descarga, debería recargar el robot una vez cada tres meses.

## Indicador de estado

La siguiente tabla enumera las posibles causas y soluciones en términos de diferentes estados del indicador. Para obtener más ayuda, consulte la sección "Preguntas Frecuentes" de este manual.

Estado del indicador	Causa posible	Solución
Apagado	Sin fuente de alimentación	Compruebe y asegúrese de que la fuente de alimentación de la base esté normal.
	El robot está en modo No Molestar El robot está con carga completa y en modo Suspensión	/
Blanco	El robot no está en la base	/
Blanco Respirado	El robot se está cargando	/
Naranja intermitente	Error	Compruebe si la bolsa recolectora de polvo está instalada. Si la hay, instale una. Compruebe si la bolsa recolectora de polvo está instalada en su lugar.
		Compruebe si la tapa superior está cerrada. Si no lo está, ciérrela bien.
		Compruebe si la bolsa está llena. Si lo está, reemplácela. Elimine la suciedad alrededor de la entrada de polvo del robot y la base.
		Desenchufe el cable de alimentación de la base y verifique si hay objetos extraños que bloqueen la cubierta del conducto de aire. Si los hay, quítelos.
		Compruebe si el depósito de polvo del robot está instalado. Para otros errores, comuníquese con técnicos calificados o con el servicio posventa.

## Preguntas frecuentes

Tipo de problema	Solución
El robot no se enciende	La batería está baja. Cargue el robot en la base y vuelva a intentarlo. La temperatura ambiente es demasiado baja (por debajo de los 0 ° C) o demasiado alta (por encima de los 40 ° C). La temperatura de funcionamiento del robot es de 0 ° C a 40 ° C.
El robot no se carga	La base no tiene energía. Confirme que ambos extremos del cable de alimentación estén conectados correctamente. Contacto malo. Limpie los contactos de carga de la base y el robot.
El robot no puede regresar a la base	Hay demasiadas obstrucciones alrededor de la base. Coloque la base en un área más abierta. Limpie el área de señalización de la base. Mover el robot puede provocar que se reubique o vuelva a mapear sus alrededores. Si el robot está demasiado lejos de la base, es posible que no pueda regresar automáticamente por sí solo, en cuyo caso deberá colocarlo manualmente en la base.
El robot no funciona adecuadamente	Apague el robot y vuelva a encenderlo.
El robot hace un ruido extraño	Un objeto extraño puede estar obstruyendo el cepillo principal, el cepillo lateral o alguna de las ruedas principales. Apague el robot y elimine la basura acumulada.
El robot no limpia de forma correcta o deja basura a su paso	El depósito de polvo está lleno. Limpie el depósito de polvo y la entrada de polvo. El filtro está obstruido. Debe limpiarlo. Un objeto extraño está obstruyendo el cepillo principal. Debe limpiarlo.

## Preguntas frecuentes

Tipo de problema	Solución
El robot no se conecta al Wi-Fi.	Hay algún problema con la conexión Wi-Fi. Reinicie el Wi-Fi, descargue la última versión de Mi Home/Xiaomi Home APP, e intente conectarlo de nuevo. El permiso de ubicación no está activado. Asegúrese de activar el permiso de ubicación en la aplicación. La señal Wi-Fi está débil. Asegúrese de que el robot se encuentre en una zona con una buena señal de Wi-Fi. No admite Wi-Fi de 5GHz. Asegúrese de conectar su robot a una red Wi-Fi de 2,4GHz. Nombre de usuario o contraseña del Wi-Fi incorrectos. Asegúrese de introducir el nombre de usuario y la contraseña correctos.
El robot no realiza la limpieza programada	Al robot le queda poca batería. La limpieza programada no comenzará hasta que el robot se haya cargado.
¿Dejar el robot en la base de carga consume energía o no, si ya está completamente cargado?	Dejar el robot en la base de carga y recolección de polvo después de que esté completamente cargado consume muy poca electricidad y ayuda a mantener un rendimiento óptimo de la batería.
No sale agua del módulo de fregado o solo sale un poco de agua	Compruebe que el tanque de agua está lleno de agua y limpie la almohadilla trapeadora si es necesario. Limpie la almohadilla trapeadora si está sucia. Compruebe que la almohadilla trapeadora está colocada correctamente, de acuerdo con el manual. Limpie el orificio del tanque de agua.
El robot no reanuda la limpieza a pesar de tener batería suficiente	Confirme que el robot no se encuentre en modo No molestar. El robot no reanuda la limpieza cuando se recarga manualmente o coloca en la base.

## Preguntas frecuentes

Tipo de problema	Solución
El robot regresa a la base sin realizar tareas de recolección de polvo	El modo No molestar también impide que el robot realice automáticamente tareas de recolección de polvo.
La bolsa recolectora de polvo está llena	Compruebe si la bolsa recolectora de polvo está llena. Si lo está, reemplácelo por una nueva. Se recomienda reemplazar la bolsa cada 4-6 semanas. De lo contrario, compruebe si la entrada de polvo o el conducto de aire en la parte inferior de la base están bloqueados. Elimine cualquier bloqueo antes de usar.
A veces, la recolección de polvo tarda demasiado largo.	Cuando el robot lleva un período de tiempo recolectando el polvo, o cuando el conducto de aire no funciona correctamente, la duración de la recolección de polvo se extenderá para evitar el bloqueo.
La tapa superior de la base no se cerró	Compruebe si la bolsa recolectora de polvo está instalada. Si la hay, instale una.

## Especificaciones

### Robot

Modelo	RLS3D
Batería	5200 mAh (Potencia máxima de salida)
Tiempo de carga	Aproximadamente 6 horas
Conexión inalámbrica	Wi-Fi IEEE 802.11b/g/n 2,4 GHz
Compatible con	Android 4.4 y iOS 10.0 o superior
Tensión nominal	14,4 V ---
Potencia nominal	46 W
Frecuencia de operación	2400-2483,5 MHz
Potencia máxima de salida	< 20 dBm

### Base de vaciado automático

Modelo	RCS7
Entrada nominal	120 V ~ 50-60 Hz 4 A
Salida nominal	19,8 V --- 1 A

En condiciones normales de uso, este equipo debe mantenerse a una distancia de, al menos, 20 cm entre la antena y el cuerpo del usuario.