

16.5 IN  
HEIGHT



# WOOD BACKREST CAT SOFA CHAIR

## READ BEFORE YOU START

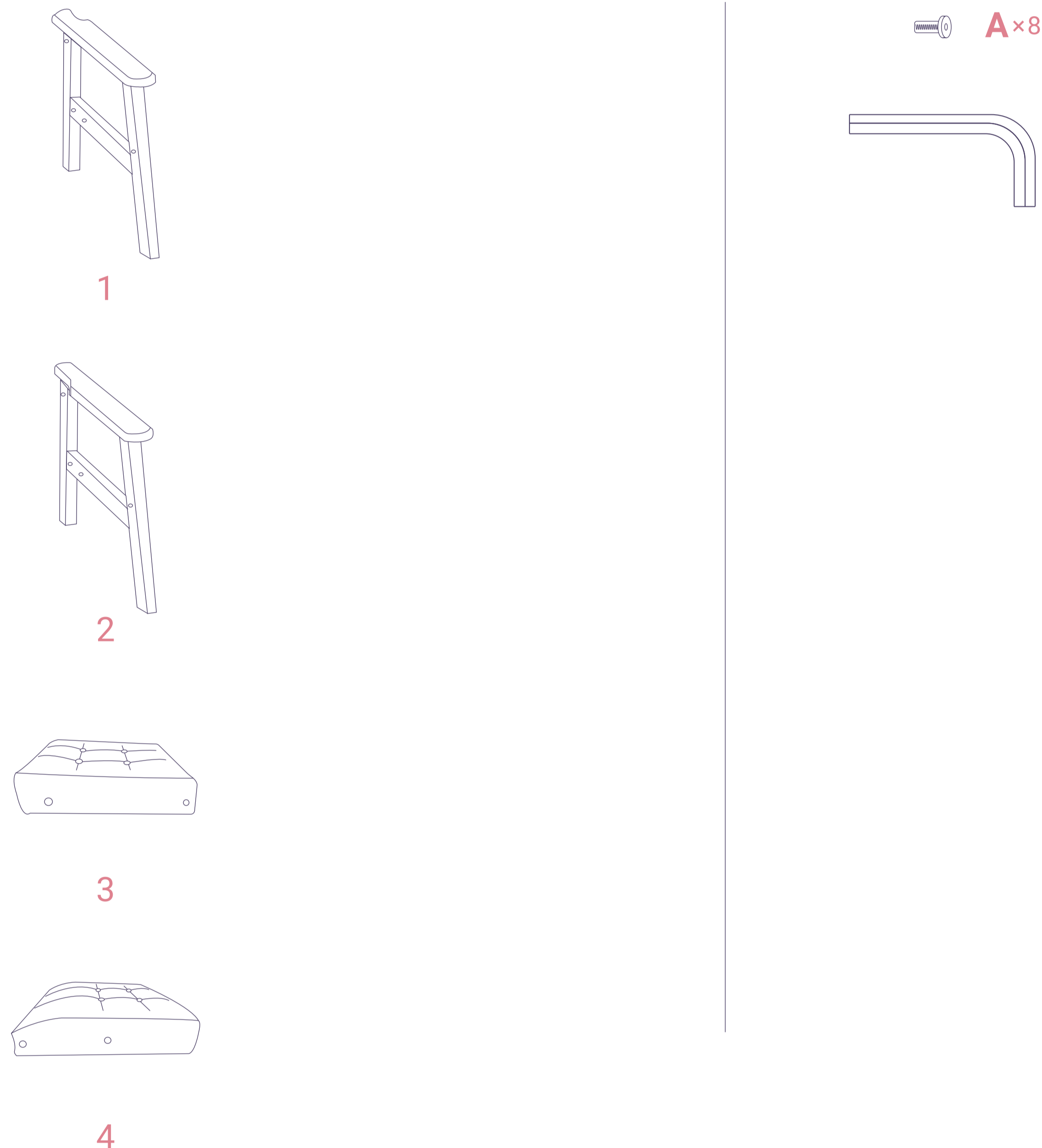
Please identify and sort all components shown below. For any issues during installation, please ask for assistance at [service@happyandpolly.com](mailto:service@happyandpolly.com) or check our YouTube Channel [https://www.youtube.com/channel/UCbPD98rZ-jOYrTCQA\\_0eNLg](https://www.youtube.com/channel/UCbPD98rZ-jOYrTCQA_0eNLg).

## SAFETY GUIDELINES TO PREVENT INJURIES

- This cat chair is intended for CATS, not to be sat on by human babies.
- Care should be taken when unpacking the product.
- Keep small objects away from children and pets.
- Follow instructions accordingly, make sure all steps are accomplished.
- Keep the cat chair indoors and away from direct sunlight or damp areas.
- Always operate this cat chair on a flat, level, and stable surface.
- Examine the cat chair frequently for damaged, missing, or loose parts.
- Discard if the cat chair is torn or damaged.
- Contact our customer service for any damaged parts within two months.

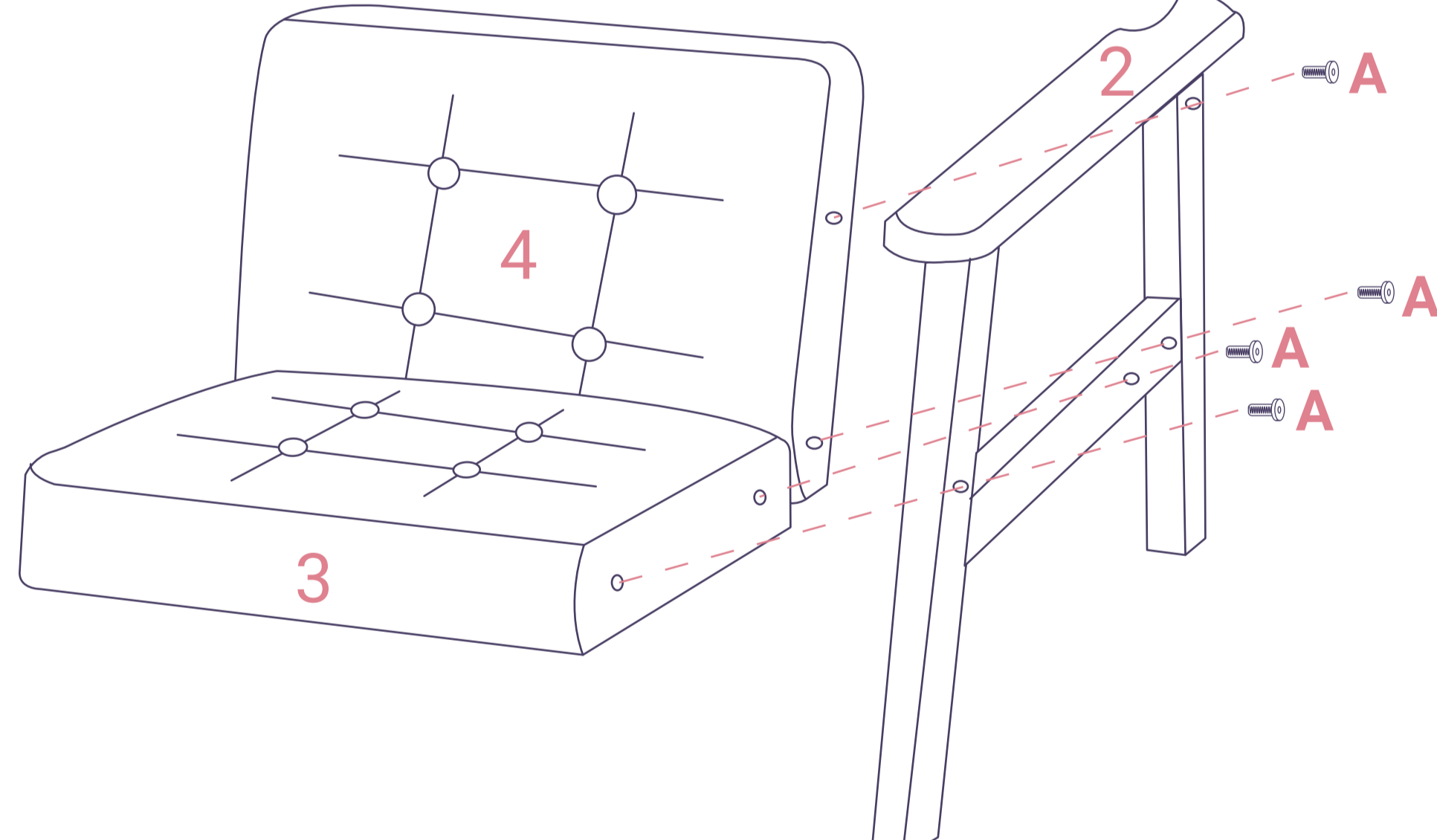
## IMPORTANT

- Please identify and sort all components shown below.
- All pictures shown are for illustration purposes only. The actual cat chair may vary due to product enhancement.



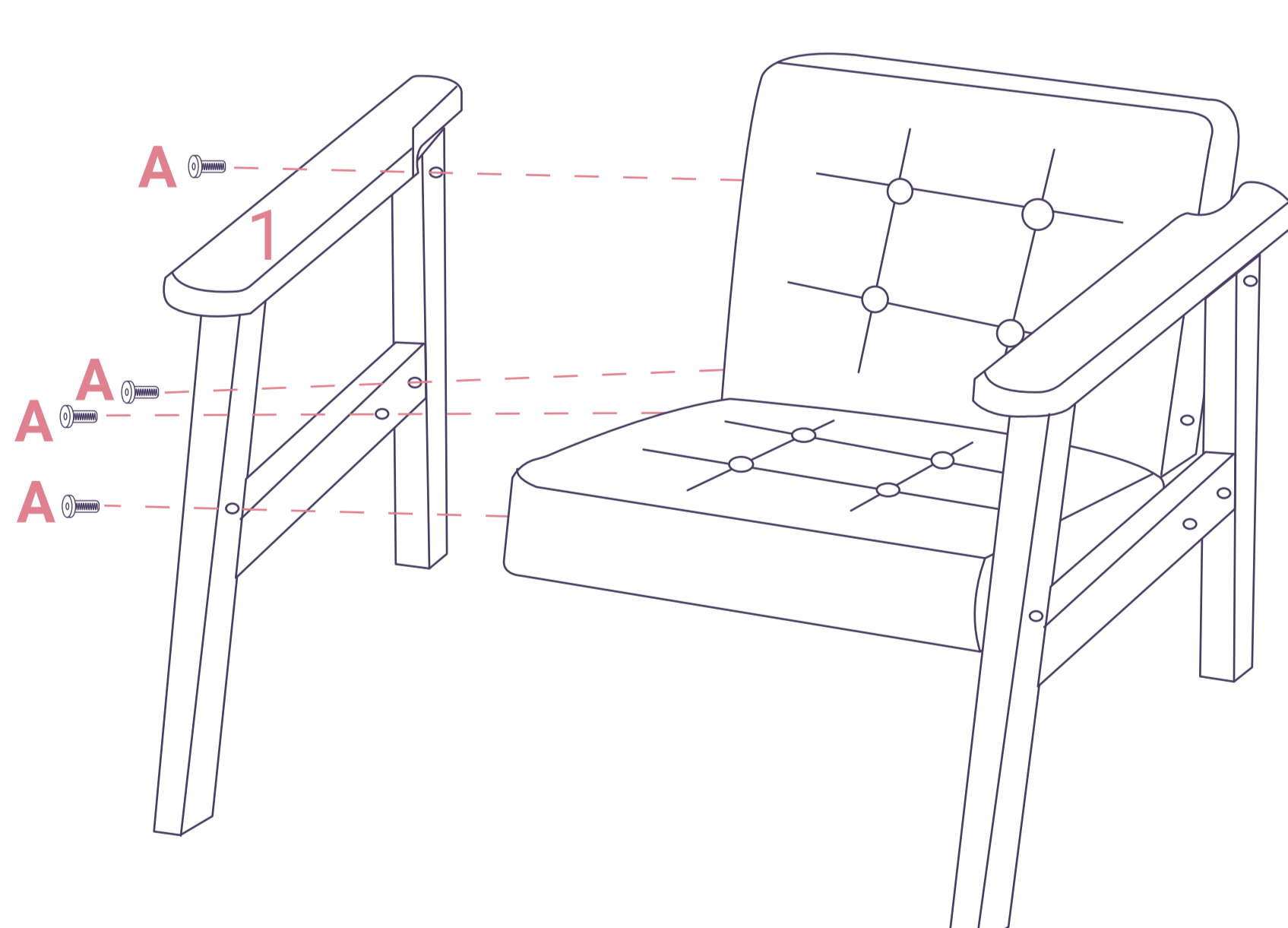
## ASSEMBLY INSTRUCTIONS

1



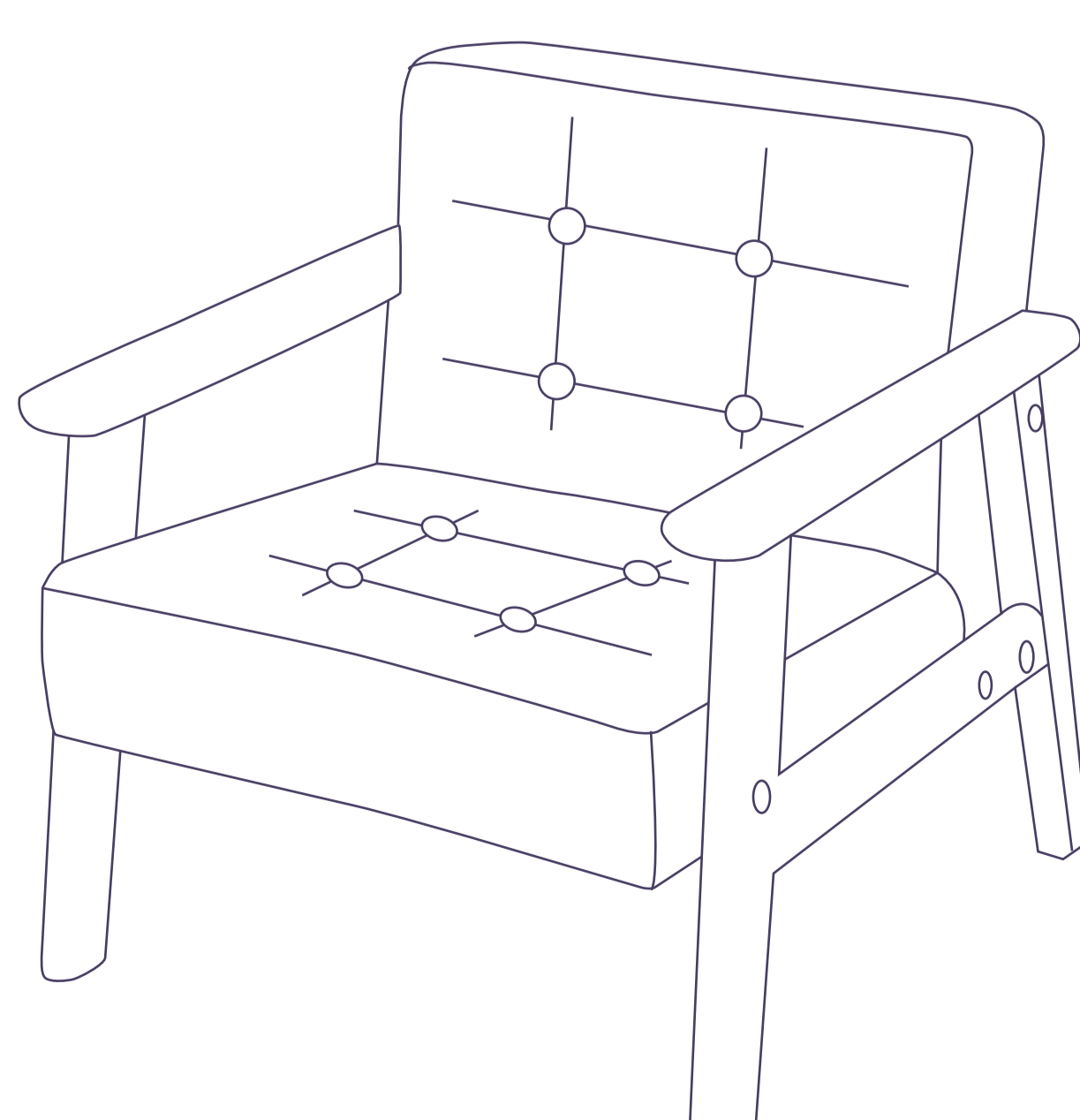
Note: Initially refrain from fully tightening the screws.

2



Note: Initially refrain from fully tightening the screws.

3



Note: Align the two armrests before fully tightening all screws.