

40.9 IN
HEIGHT



NIGHTFALL CAT TREE

READ BEFORE YOU START

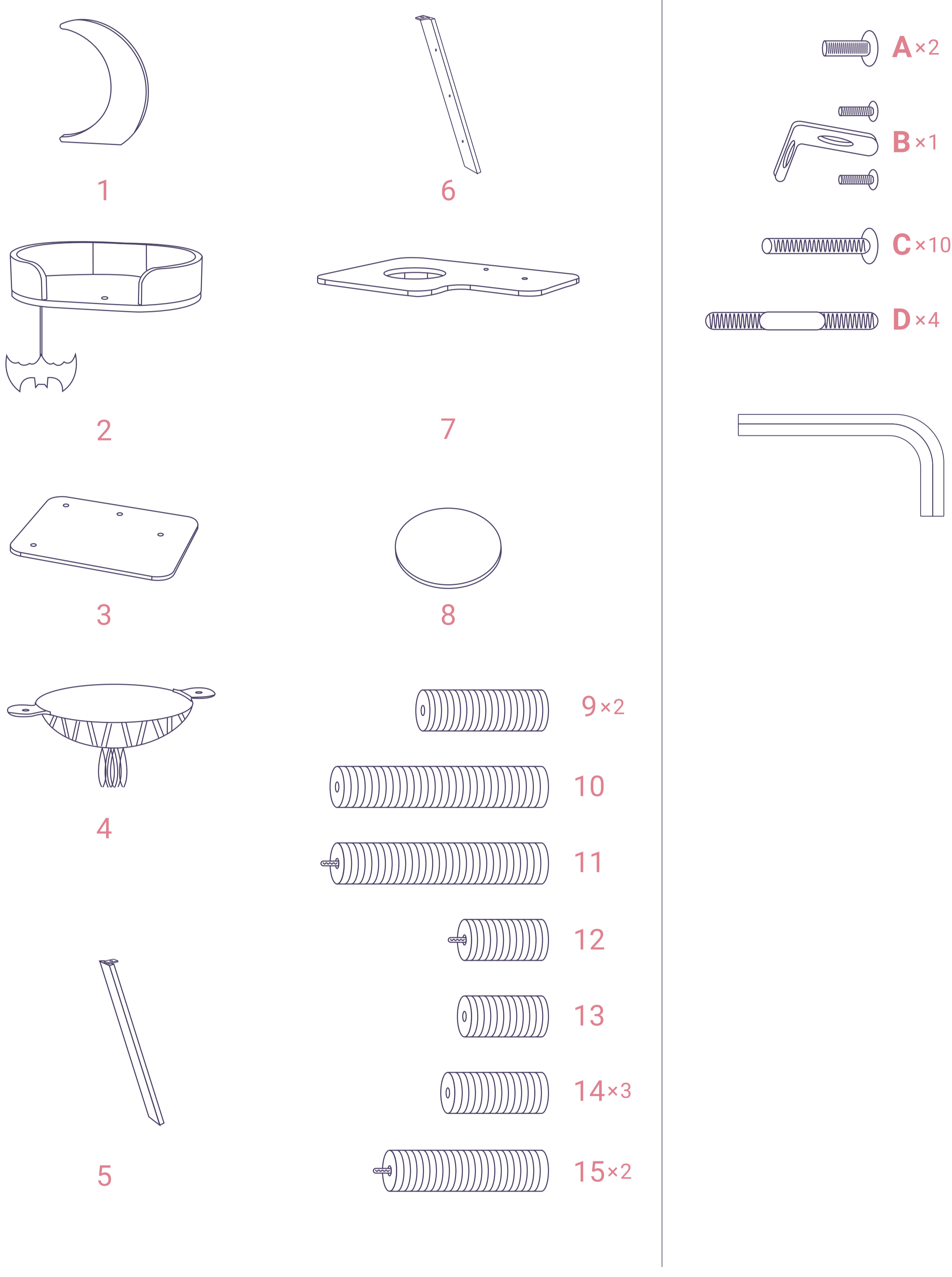
Please identify and sort all components shown below. For any issues during installation, please ask for assistance at service@happyandpolly.com or check our YouTube Channel https://www.youtube.com/channel/UCbPD98rZ-jOYrTCQA_0eNLg.

SAFETY GUIDELINES TO PREVENT INJURIES

- This cat tree is intended for CATS, not to be sat on by human babies.
- Care should be taken when unpacking the product.
- Keep small objects away from children and pets.
- Follow instructions accordingly, make sure all steps are accomplished.
- NEVER climb, shake, step on, or hang on the product.
- Keep the cat tree indoors and away from direct sunlight or damp areas.
- Always operate this cat tree on a flat, level, and stable surface.
- Examine the cat tree frequently for damaged, missing, or loose parts.
- Discard if the cat tree is torn or damaged.
- Contact our customer service for any damaged parts within two months.

IMPORTANT

- Please identify and sort all components shown below.
- All pictures shown are for illustration purposes only. The actual cat tree may vary due to product enhancement.



ASSEMBLY INSTRUCTIONS

