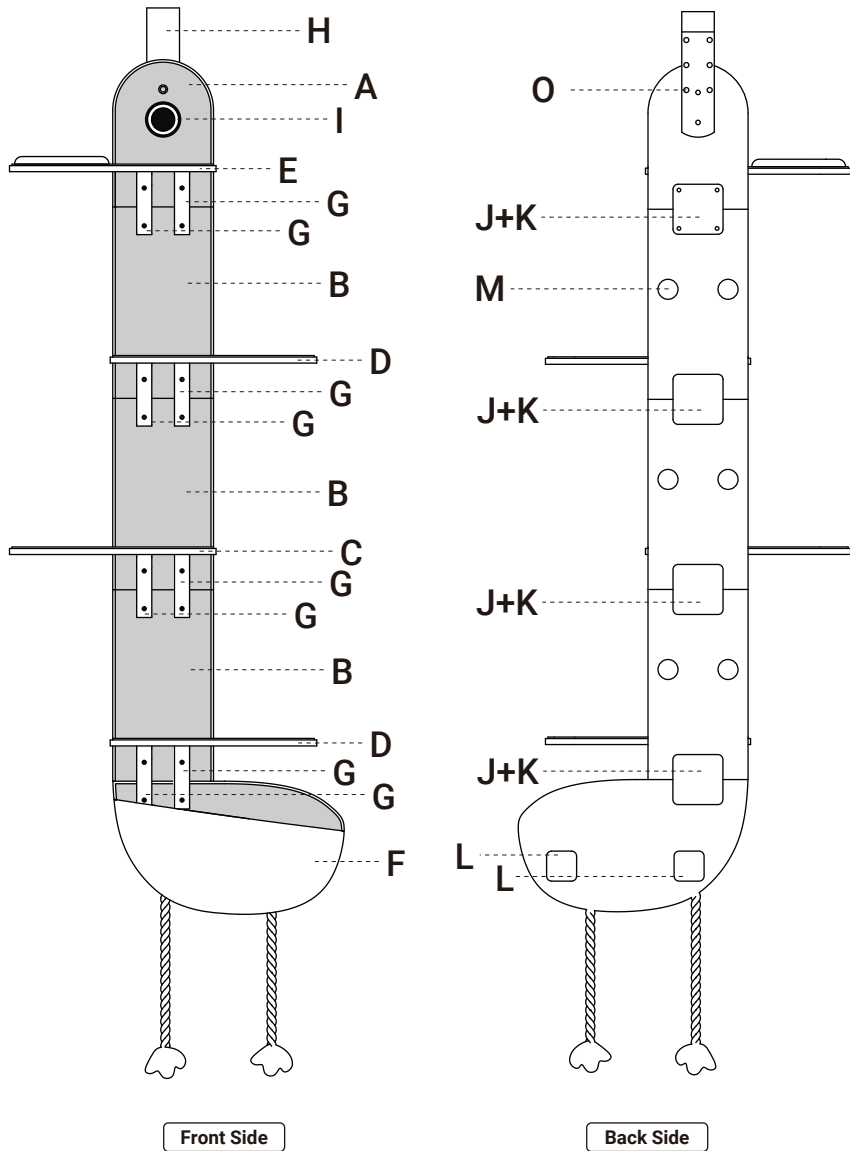
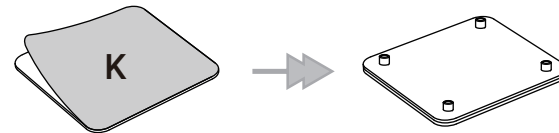
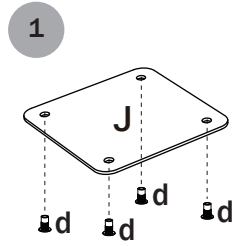
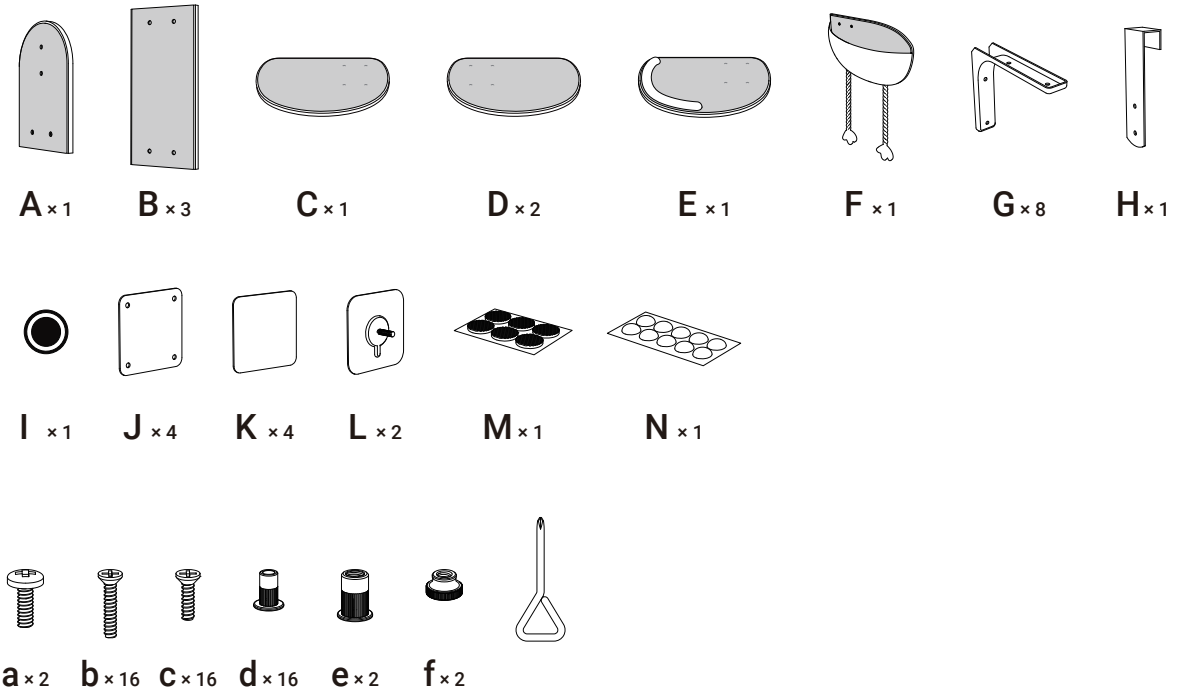


Creative Doorway Cat Perch

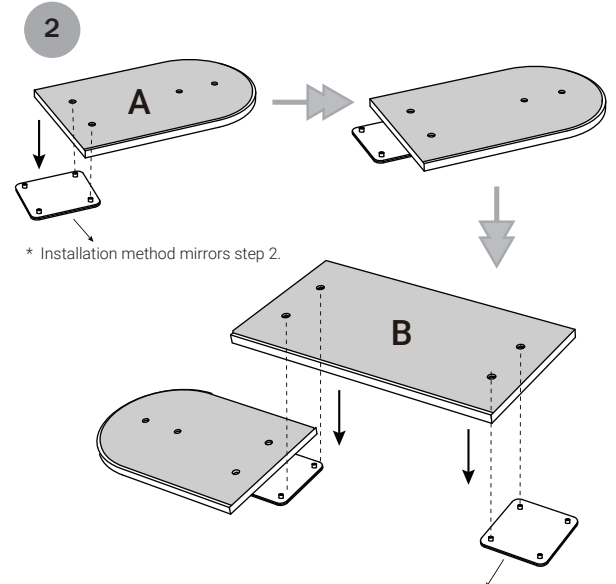
Duck



Happy & Polly



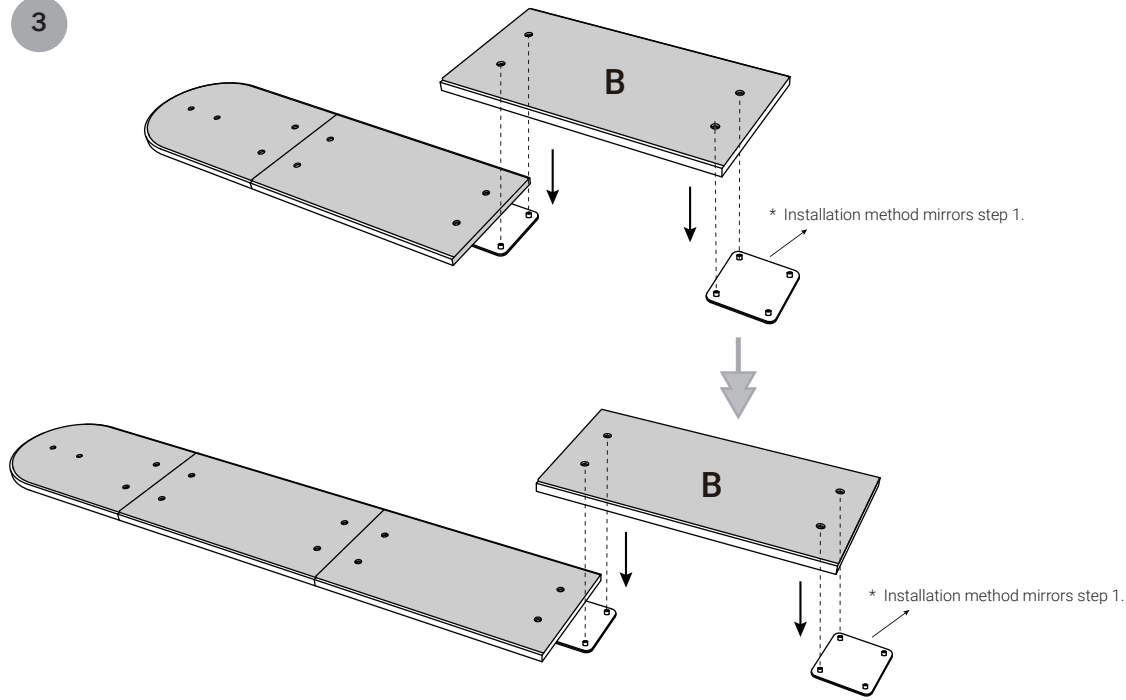
* First, thread the four screws through board J, then peel off the adhesive strip from K and apply it to the surface of board L where the screw bottoms are.



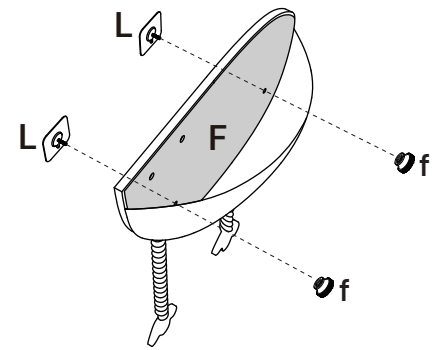
* Installation method mirrors step 1.

* Install in the order of 1 to 11.
(there is a serial number under the screw in the manual)

3

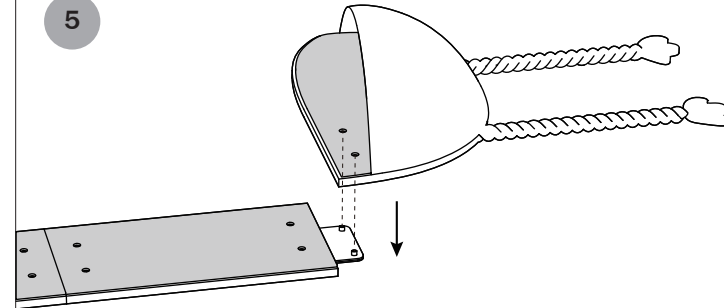


4

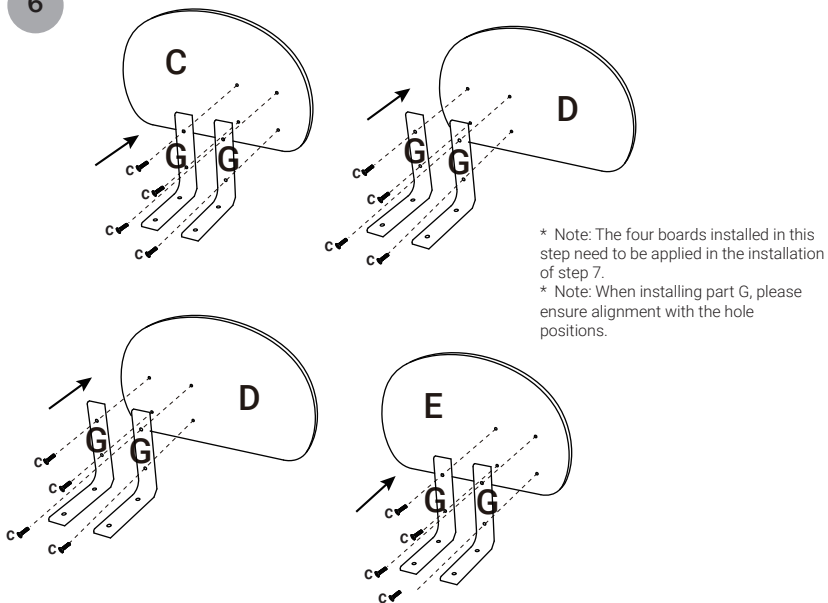


Happy & Polly

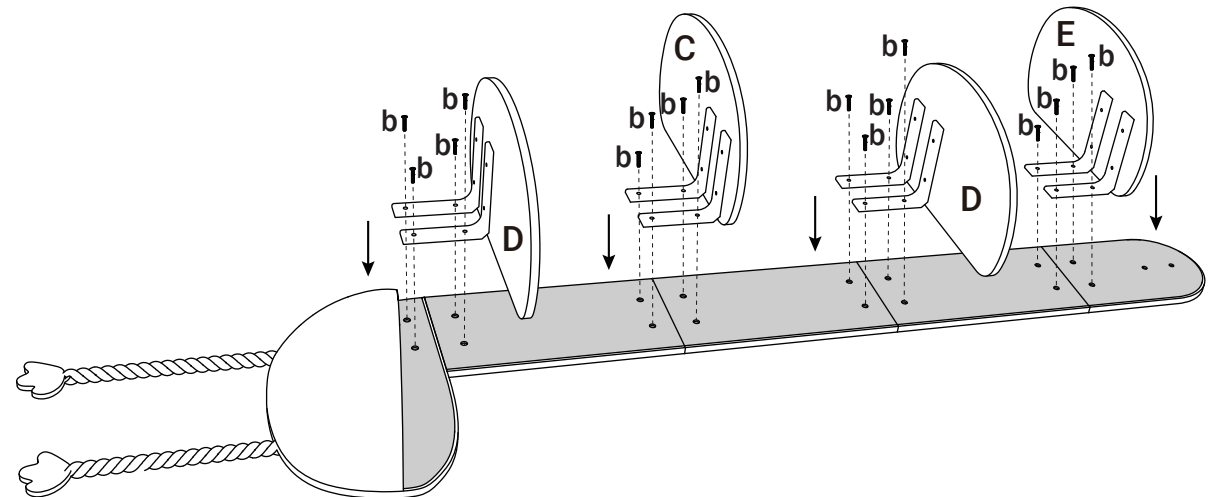
5



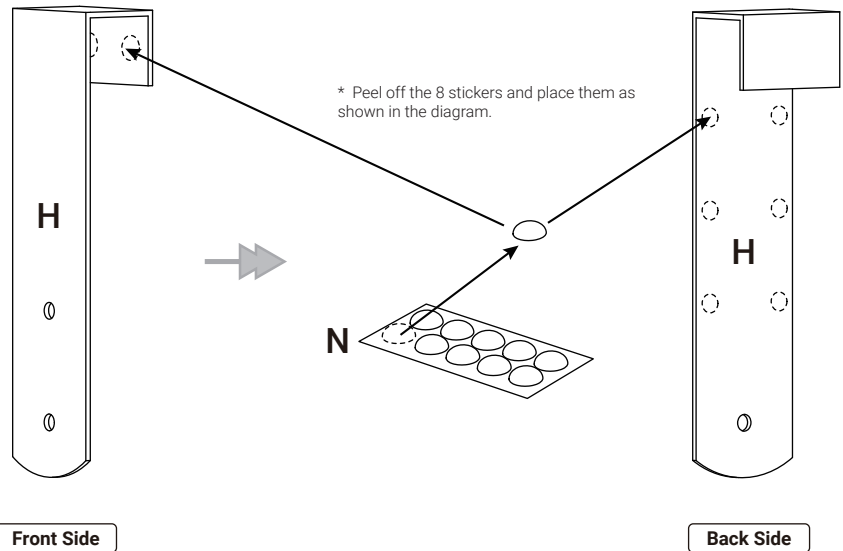
6



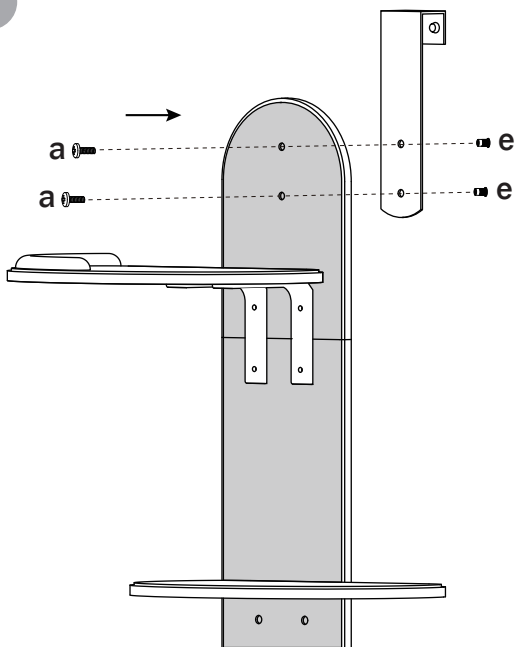
7



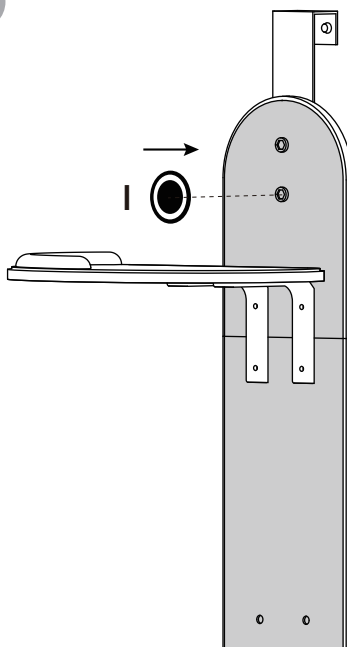
8



9



10



11

Happy & Polly

